



US00D992455S

(12) **United States Design Patent**  
**Shen**

(10) **Patent No.:** **US D992,455 S**

(45) **Date of Patent:** **\*\* Jul. 18, 2023**

(54) **ORNAMENT**

(71) Applicant: **Qianhui Shen**, Hunan Province (CN)

(72) Inventor: **Qianhui Shen**, Hunan Province (CN)

(\*\*) Term: **15 Years**

(21) Appl. No.: **29/852,087**

(22) Filed: **Sep. 2, 2022**

(51) **LOC (14) Cl.** ..... **11-02**

(52) **U.S. Cl.**  
USPC ..... **D11/131; D14/221; D26/93**

(58) **Field of Classification Search**  
USPC ..... D11/121, 131, 133, 149, 141-144, 157,  
D11/184; D14/172, 194-195, 200;  
D19/61-62, 95-97, 108, 114; D21/398,  
D21/404, 465, 466, 467; D26/24, 51,  
D26/56-57, 60, 93-94, 104, 108  
CPC ..... A47G 33/004; B44C 3/00; B44C 5/005  
See application file for complete search history.

(56) **References Cited**

**U.S. PATENT DOCUMENTS**

- D197,206 S \* 12/1963 Hammer ..... A63B 67/22  
D26/85
- 3,220,132 A \* 11/1965 Swiger ..... A47G 1/17  
40/792
- D242,820 S \* 12/1976 Parrella ..... A47G 1/17  
D26/104
- D290,447 S \* 6/1987 Evans ..... D11/131
- D367,560 S \* 3/1996 Kwan ..... D6/310
- D445,059 S \* 7/2001 Kohler ..... D11/121
- D590,085 S \* 4/2009 Irvine ..... D26/63
- D617,931 S \* 6/2010 Chen ..... D26/63
- D618,636 S \* 6/2010 Hsieh ..... A63B 67/22  
D13/180
- D686,361 S \* 7/2013 Cho ..... D26/93
- D885,252 S \* 5/2020 Zhang ..... D11/157
- D905,316 S \* 12/2020 Bie ..... D26/93
- D950,524 S \* 5/2022 Liu ..... D14/216

**FOREIGN PATENT DOCUMENTS**

- CN 201430402330 \* 4/2015
- CN 201430402488 \* 4/2015
- CN 201430402514 \* 4/2015
- CN 202130105180.0 \* 8/2021
- CN 202130465236.3 \* 11/2021

(Continued)

**OTHER PUBLICATIONS**

Heart Shape Levitation Flower Night Lamp, published on (Sep. 16, 2019) on globalsources.com, retrieved from internet (Oct. 4, 2022).  
<URL: <https://www.globalsources.com/Bluetooth-speaker/Bluetooth-Speakers-1192380452p.htm>> (Year: 2019).\*

(Continued)

*Primary Examiner* — Joseph Kukella  
*Assistant Examiner* — Heather Ann Laaveg Wencil

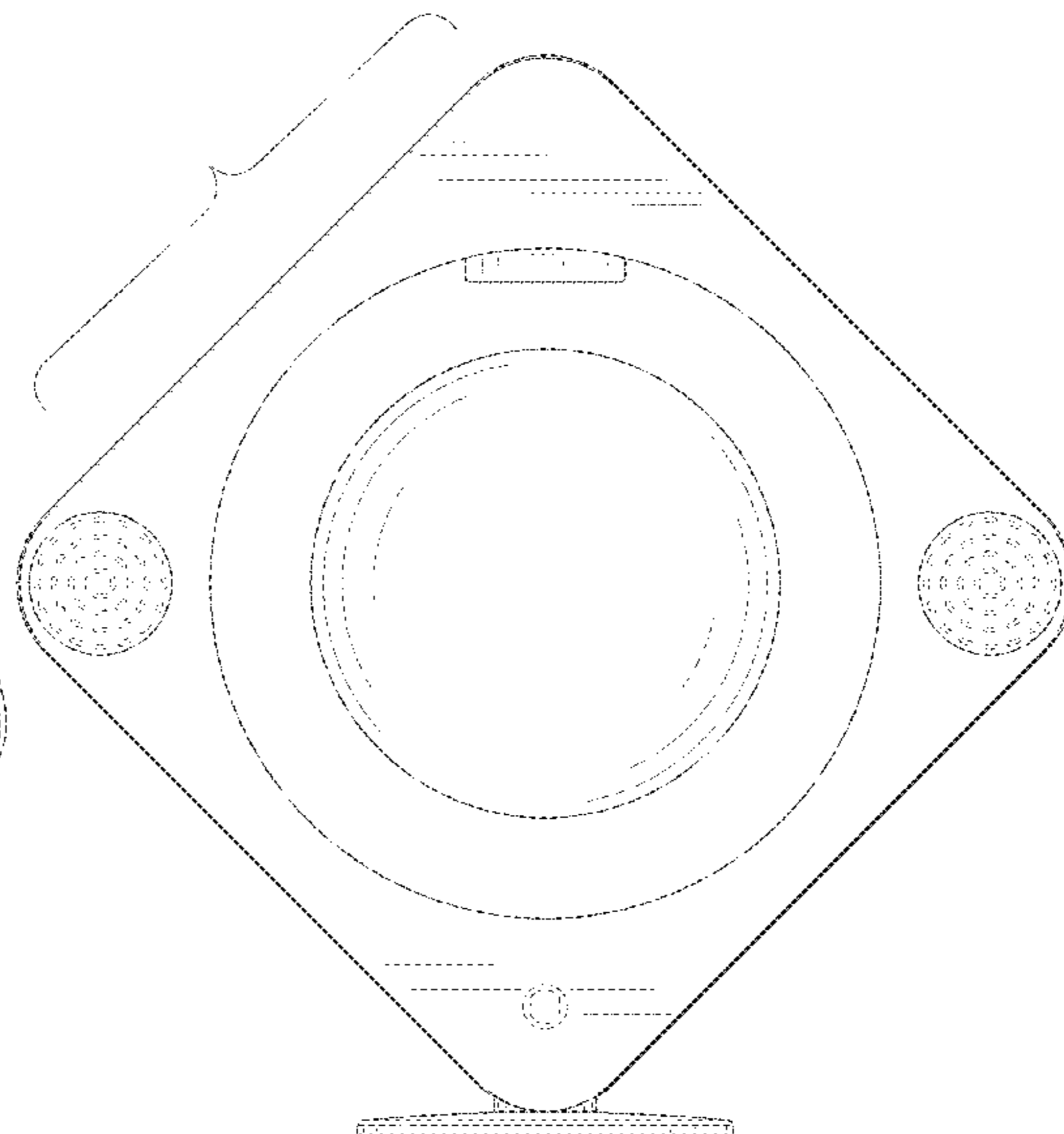
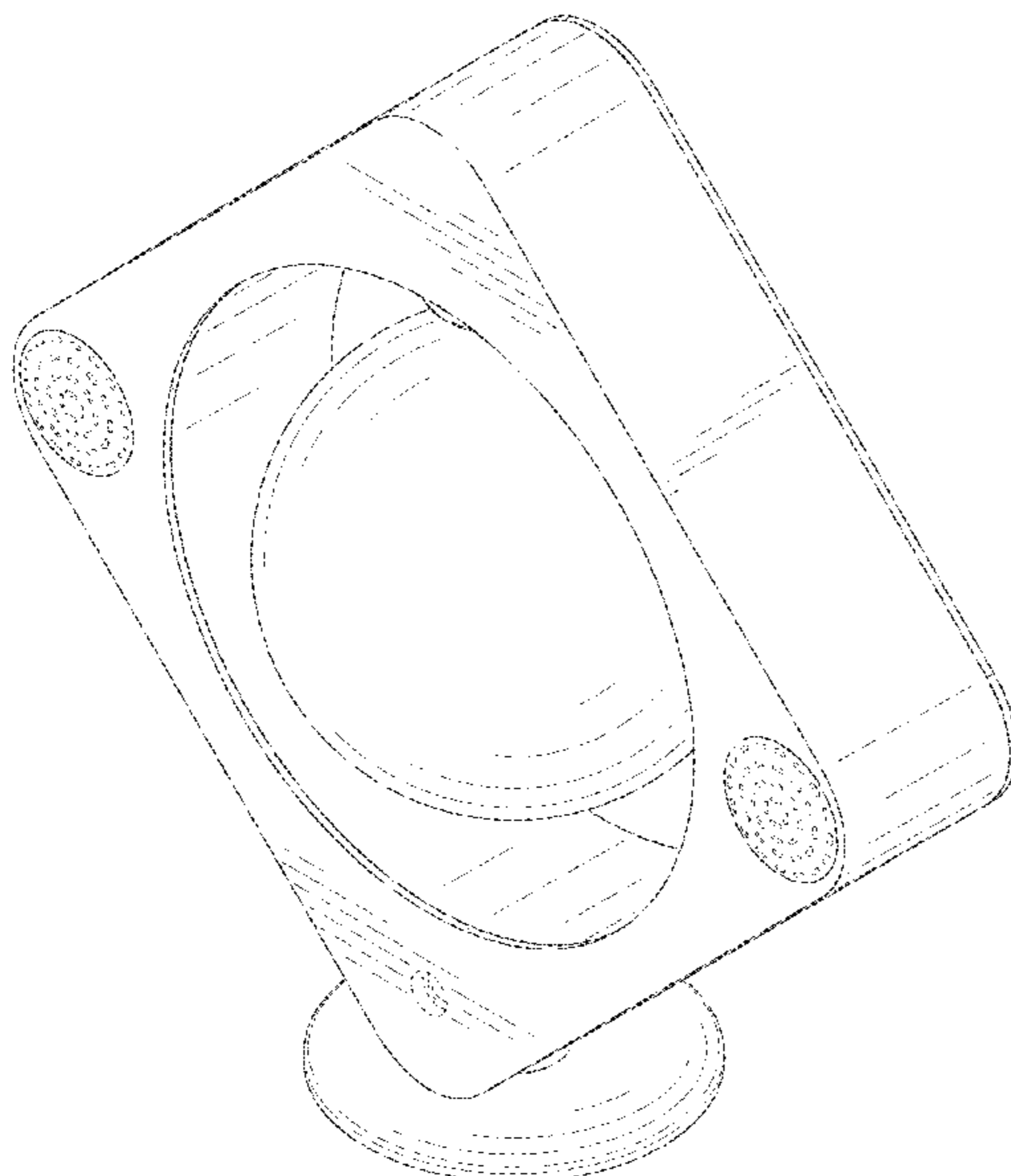
(57) **CLAIM**

The ornamental design for an ornament, as shown and described.

**DESCRIPTION**

FIG. 1 is a front and top perspective view of an ornament, showing my new design;  
FIG. 2 is a rear and bottom perspective view thereof;  
FIG. 3 is a front elevation view thereof;  
FIG. 4 is a rear elevation view thereof;  
FIG. 5 is a left side elevation view thereof;  
FIG. 6 is a right side elevation view thereof;  
FIG. 7 is a top plan view thereof; and,  
FIG. 8 is a bottom plan view thereof.  
The broken lines in the figures illustrate portions of the ornament that form no part of the claimed design.

**1 Claim, 8 Drawing Sheets**



(56)

**References Cited**

FOREIGN PATENT DOCUMENTS

CN	202130557846.6	*	3/2022
GB	6098391	*	8/2020

OTHER PUBLICATIONS

Skelang Floating Suspension Stand, reviewed on (Sep. 8, 2020) on amazon.com, retrieved from internet (Dec. 19, 2022). <URL: ([https://www.amazon.com/Skelang-Floating-Suspension-Medallion-Antique%E2%8C%8CChallenge/dp/B07L4XL34G/ref=sr\\_1\\_1](https://www.amazon.com/Skelang-Floating-Suspension-Medallion-Antique%E2%8C%8CChallenge/dp/B07L4XL34G/ref=sr_1_1))> (Year: 2020).\*

Fuzadel Levitating Lamp, reviewed on (Jan. 6, 2021) on amazon.com, retrieved from internet (Dec. 19, 2022). <URL: [https://www.amazon.com/FUZADEL-Levitation-Electronic-Antigravity-Levitating/product-reviews/B077NHZ5RG/ref=cm\\_cr\\_arp\\_d\\_viewopt\\_mdrvw](https://www.amazon.com/FUZADEL-Levitation-Electronic-Antigravity-Levitating/product-reviews/B077NHZ5RG/ref=cm_cr_arp_d_viewopt_mdrvw)> (Year: 2021).\*

MBVBN Magnetic Levitation Suspension Lamp, published on (May 11, 2021) on amazon.com, retrieved from internet (Dec. 19, 2022). <URL: [https://www.amazon.com/Levitation-Suspension-Preserved-Christmas-Valentines/dp/B096BGNPZ5/ref=asc\\_df\\_B096BFLJYF/](https://www.amazon.com/Levitation-Suspension-Preserved-Christmas-Valentines/dp/B096BGNPZ5/ref=asc_df_B096BFLJYF/)> (Year: 2021).\*

\* cited by examiner

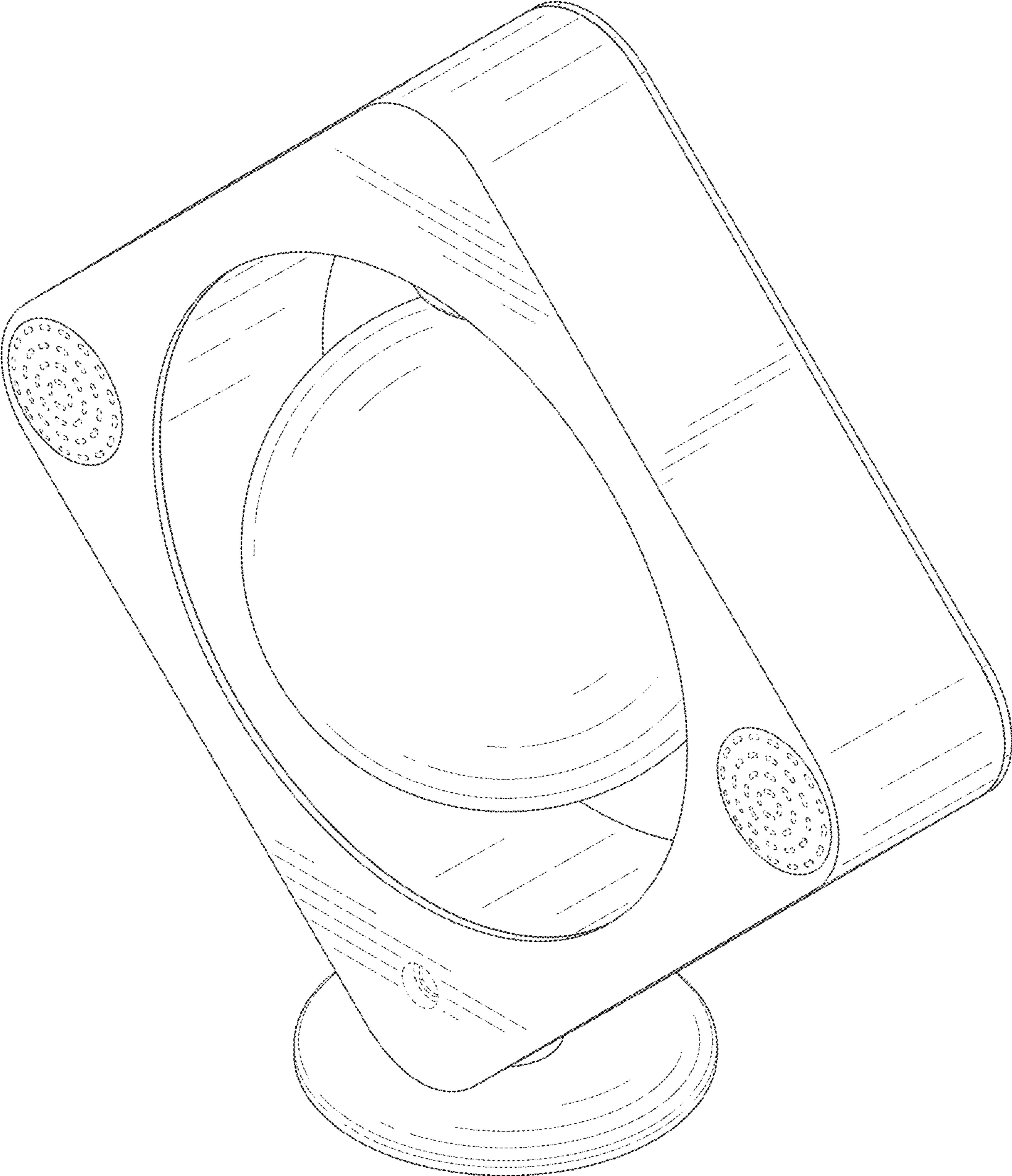


FIG. 1

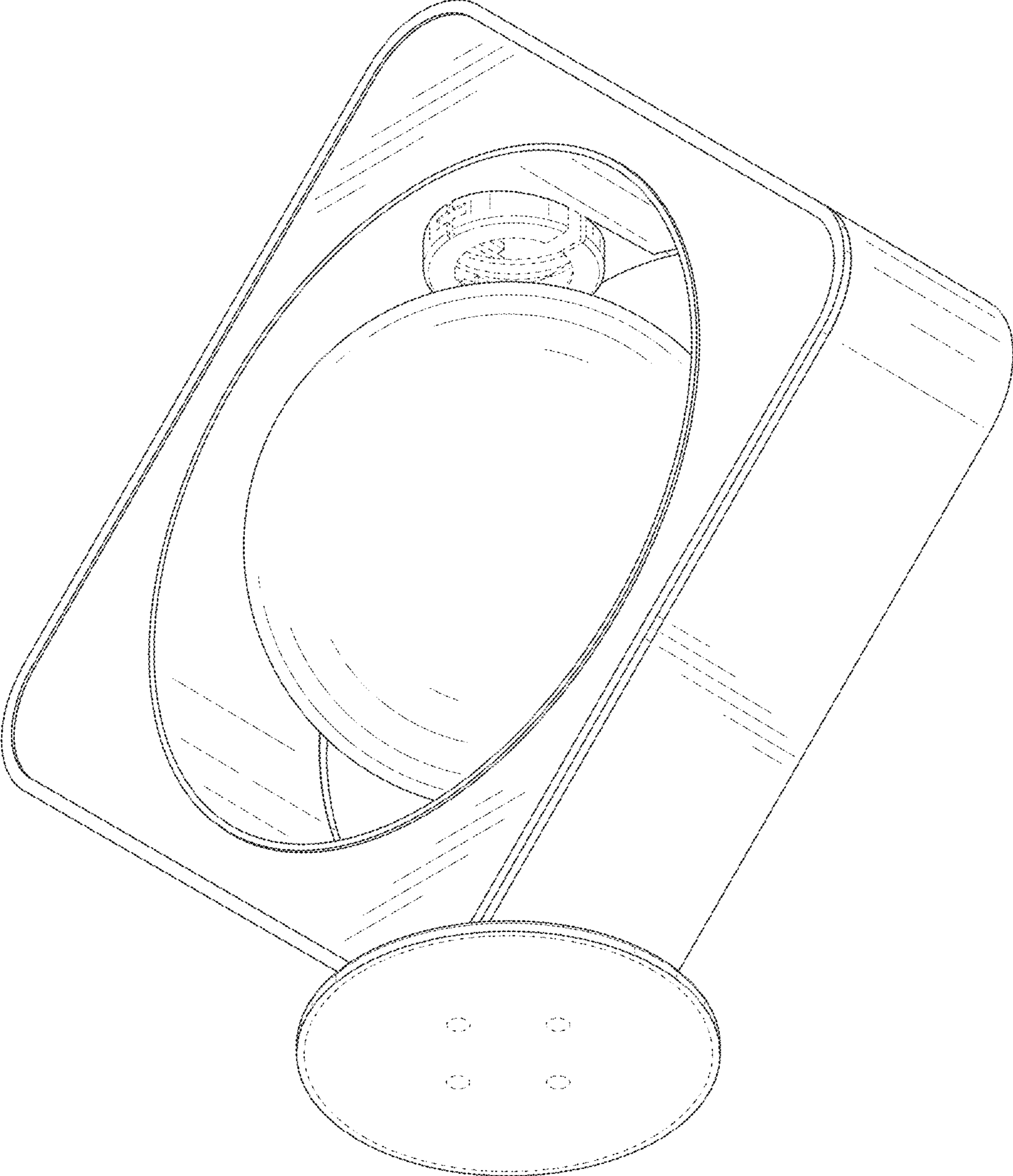


FIG. 2

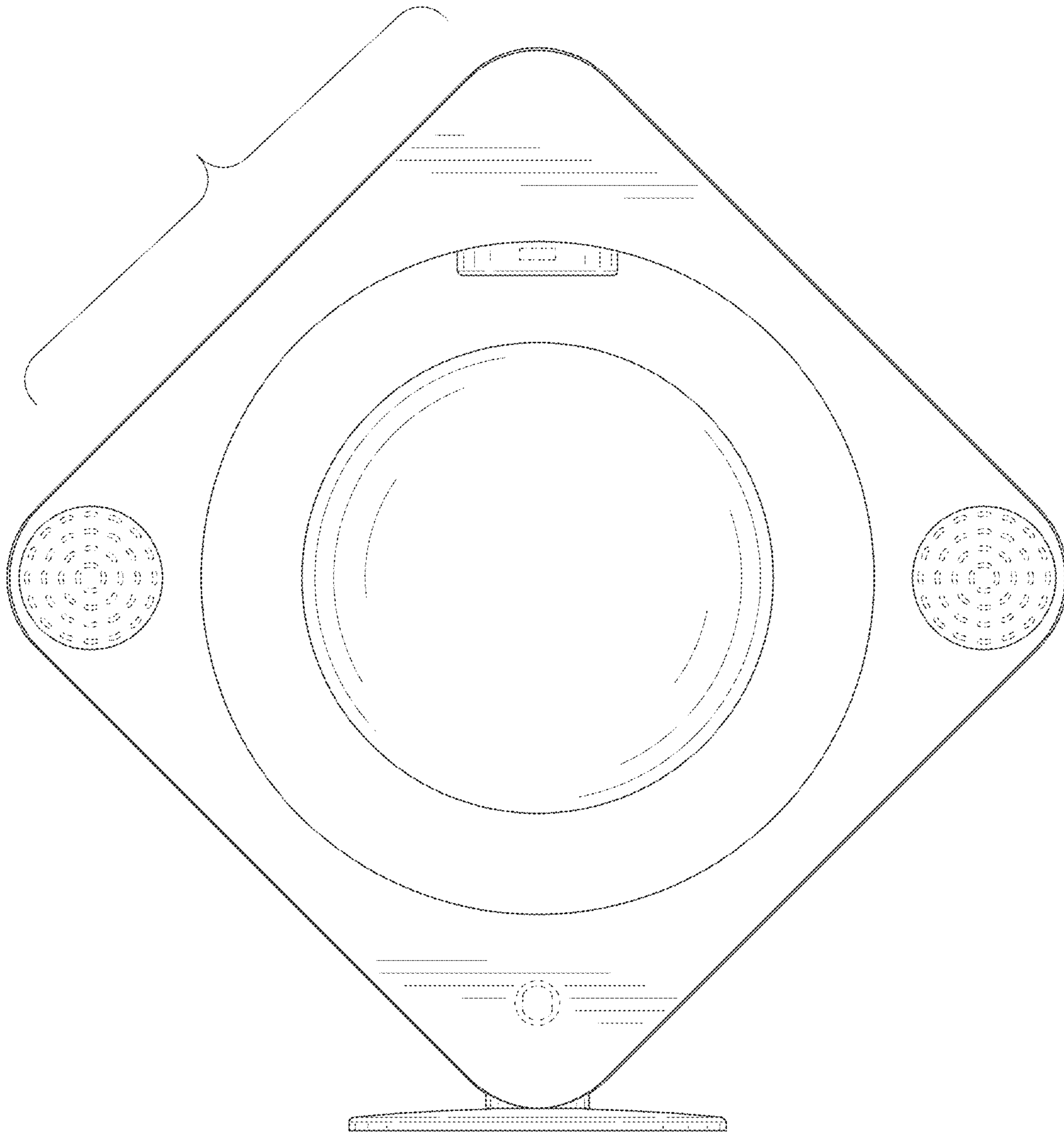


FIG. 3

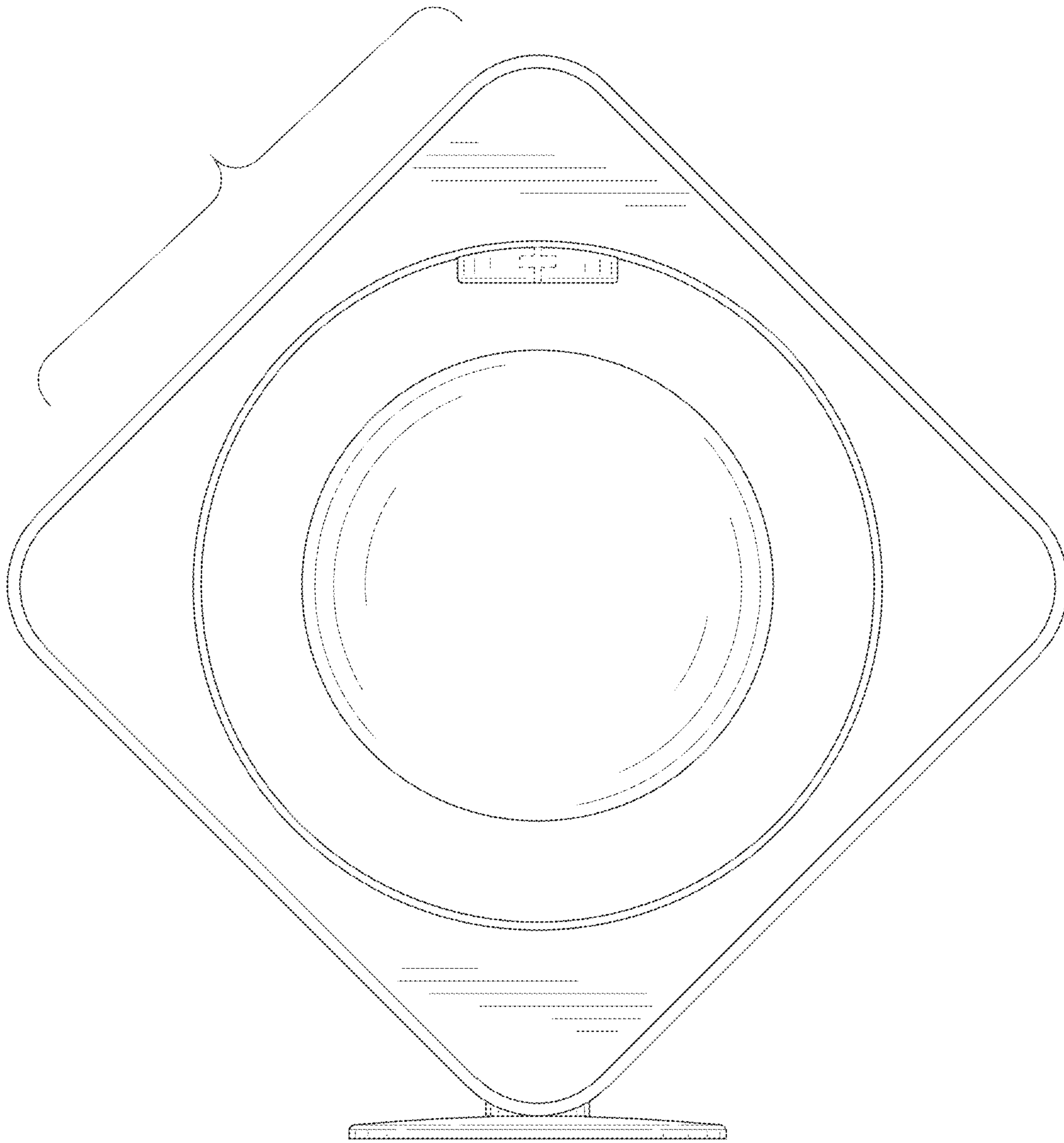


FIG. 4

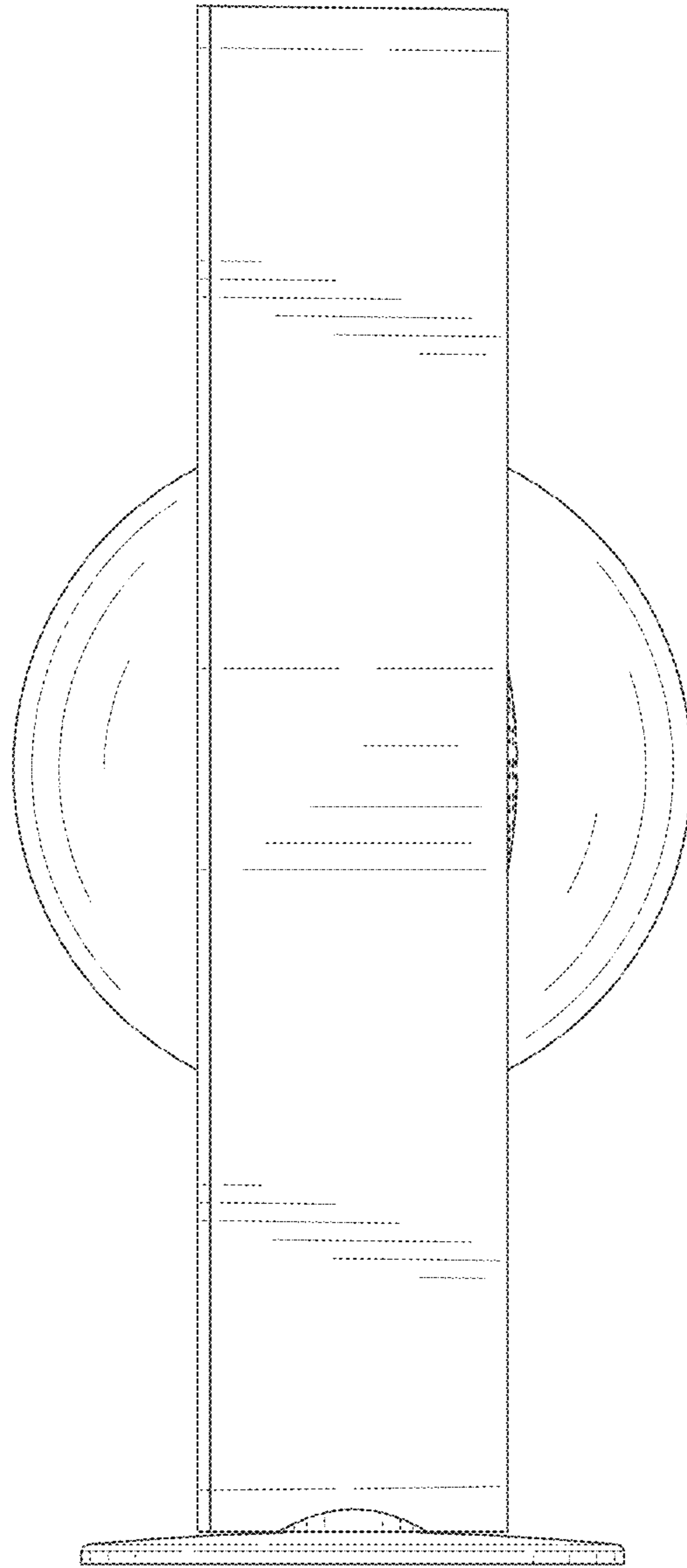


FIG. 5

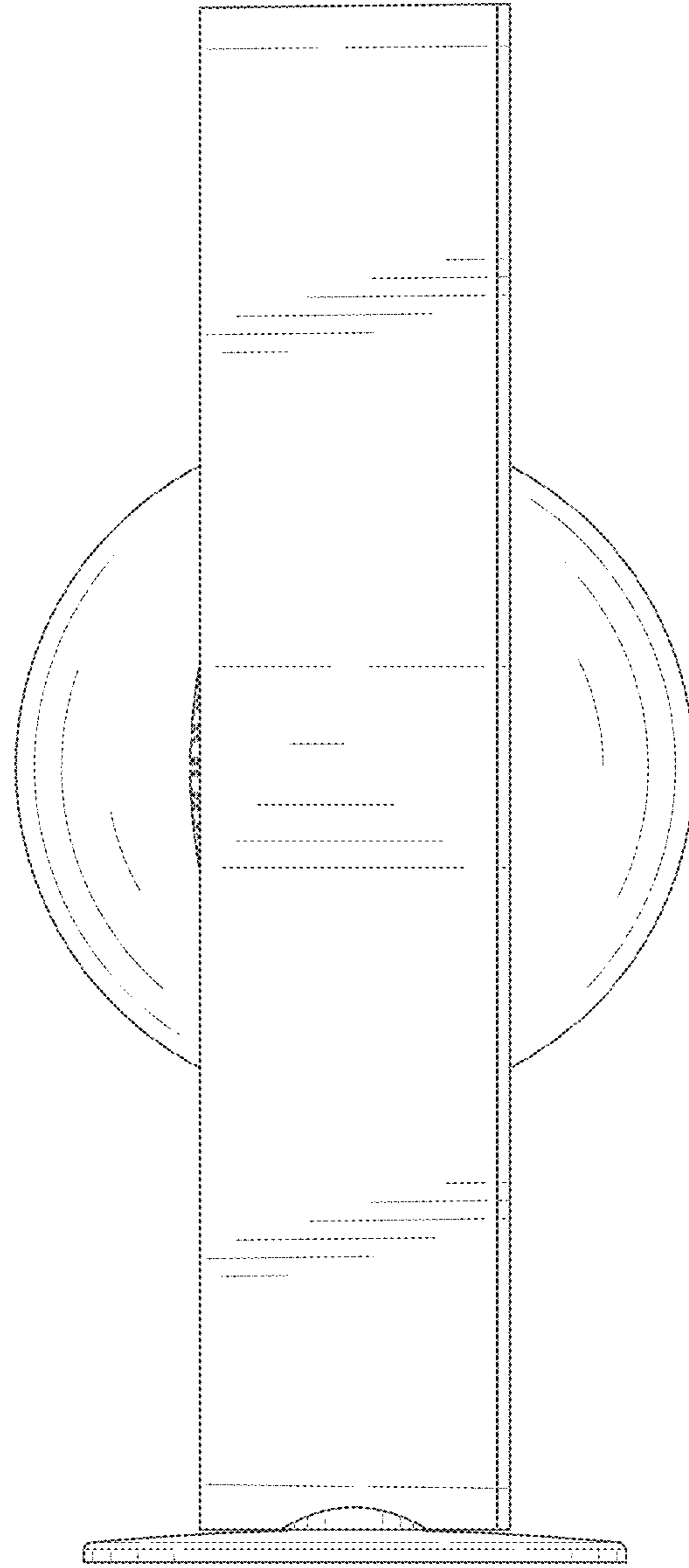


FIG. 6



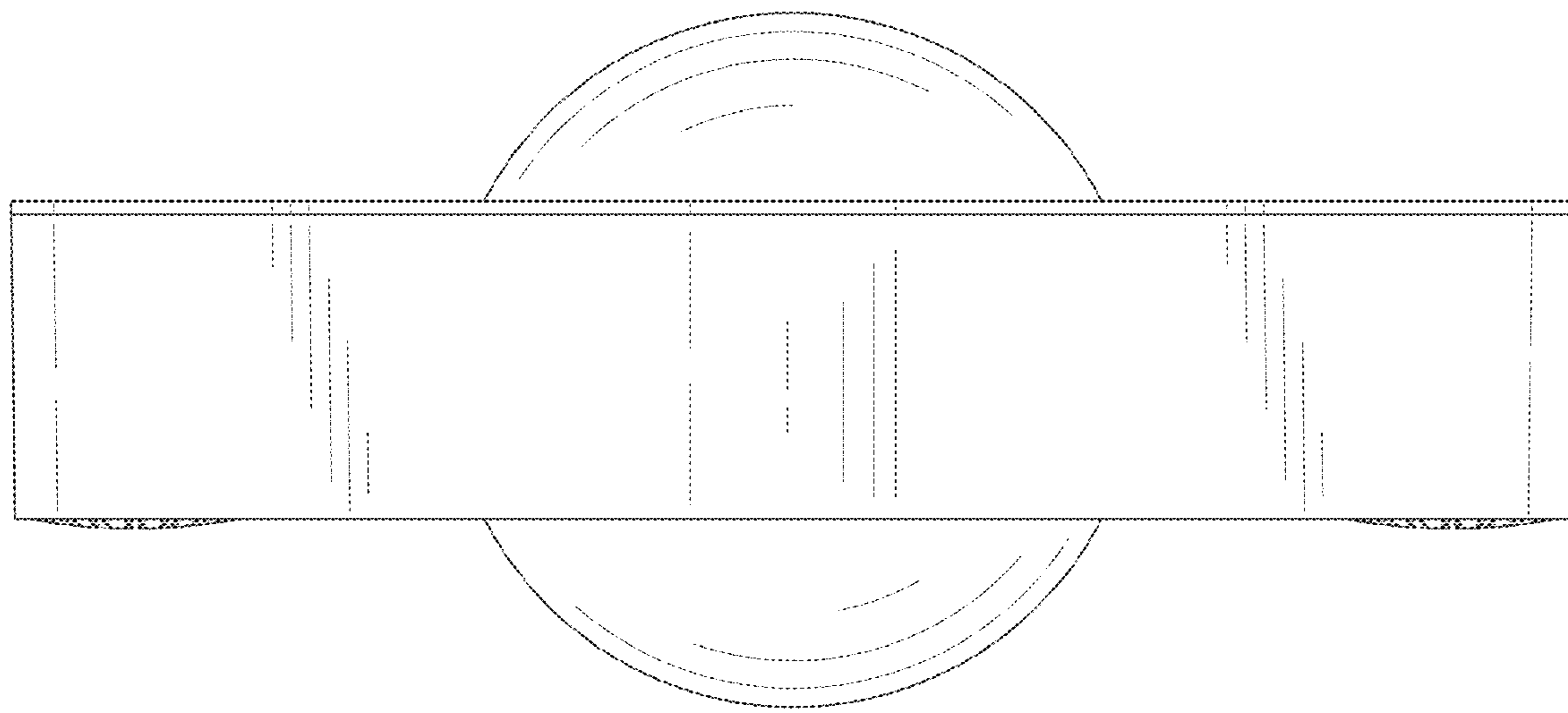


FIG. 7

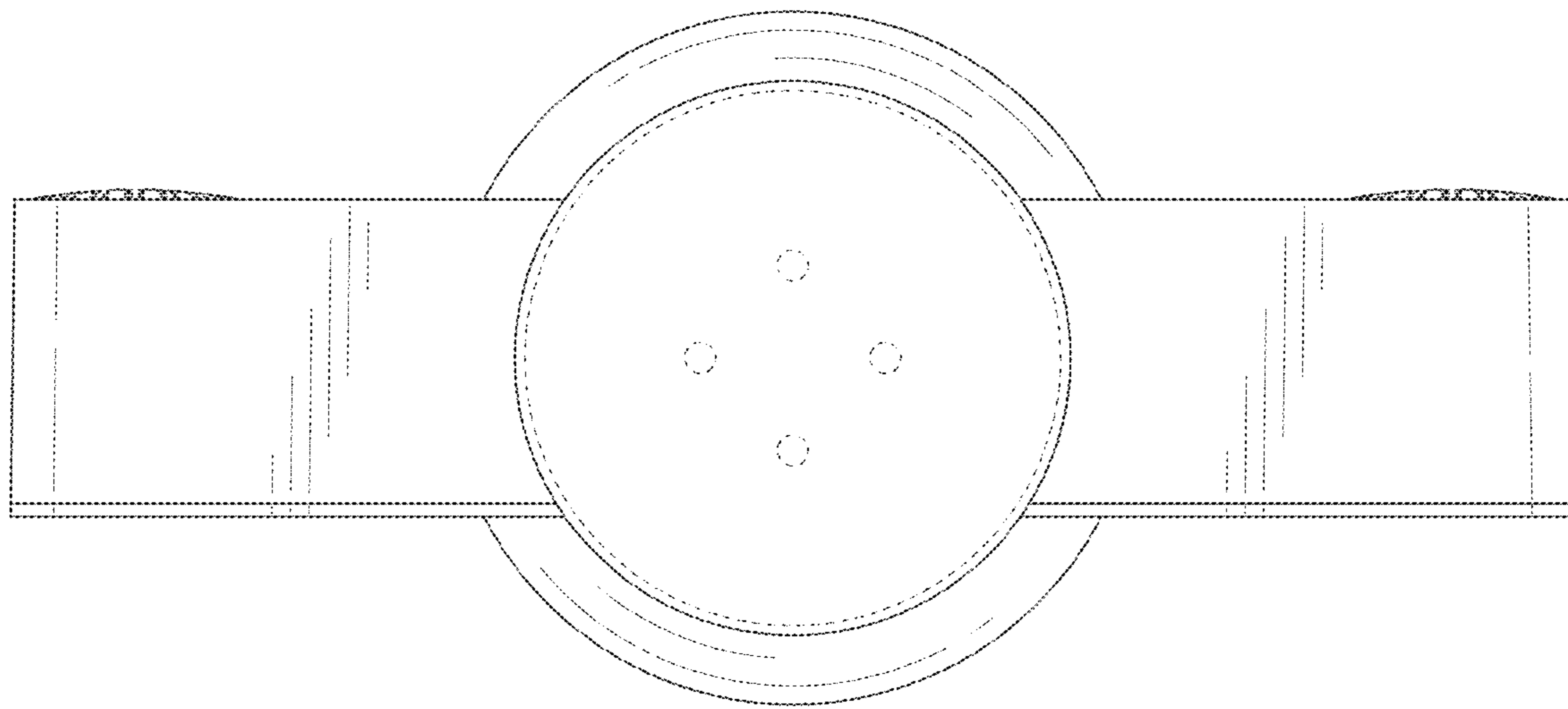


FIG. 8