



US00D992389S

(12) **United States Design Patent** (10) **Patent No.:** **US D992,389 S**
McIntosh (45) **Date of Patent:** **** Jul. 18, 2023**

(54) **OFFSET PLIERS**
(71) Applicant: **James Alex McIntosh**, Ypsilanti, MI (US)
(72) Inventor: **James Alex McIntosh**, Ypsilanti, MI (US)
(**) Term: **15 Years**
(21) Appl. No.: **29/779,194**
(22) Filed: **Apr. 16, 2021**
(51) **LOC (14) Cl.** **08-05**
(52) **U.S. Cl.**
USPC **D8/52**
(58) **Field of Classification Search**
USPC D8/4, 5, 21, 26, 51-58, 92, 93, 105;
D19/69, 72; D21/532; D22/149, 150;
D24/146, 148, 149
CPC H02G 1/1209; B25B 7/16; B25B 7/02;
B25B 7/14; B25B 7/22
See application file for complete search history.

(56) **References Cited**
U.S. PATENT DOCUMENTS
D259,913 S * 7/1981 Wahlberg D8/58
D284,027 S * 5/1986 Johnson D24/153
D350,265 S * 9/1994 Mellits D8/52
D545,653 S * 7/2007 Kirkpatrick D8/52
D592,923 S * 5/2009 Konopka D8/55
D703,816 S * 4/2014 Hiro D24/153
D811,841 S * 3/2018 Calfee D8/52
D948,976 S * 4/2022 Wu D8/52
2007/0212658 A1* 9/2007 Graham A61C 7/04
433/4

2015/0013128 A1* 1/2015 Wang B25B 7/14
29/229
2017/0266785 A1* 9/2017 Bullard B25B 7/02
2021/0370478 A1* 12/2021 Lin B25B 7/08

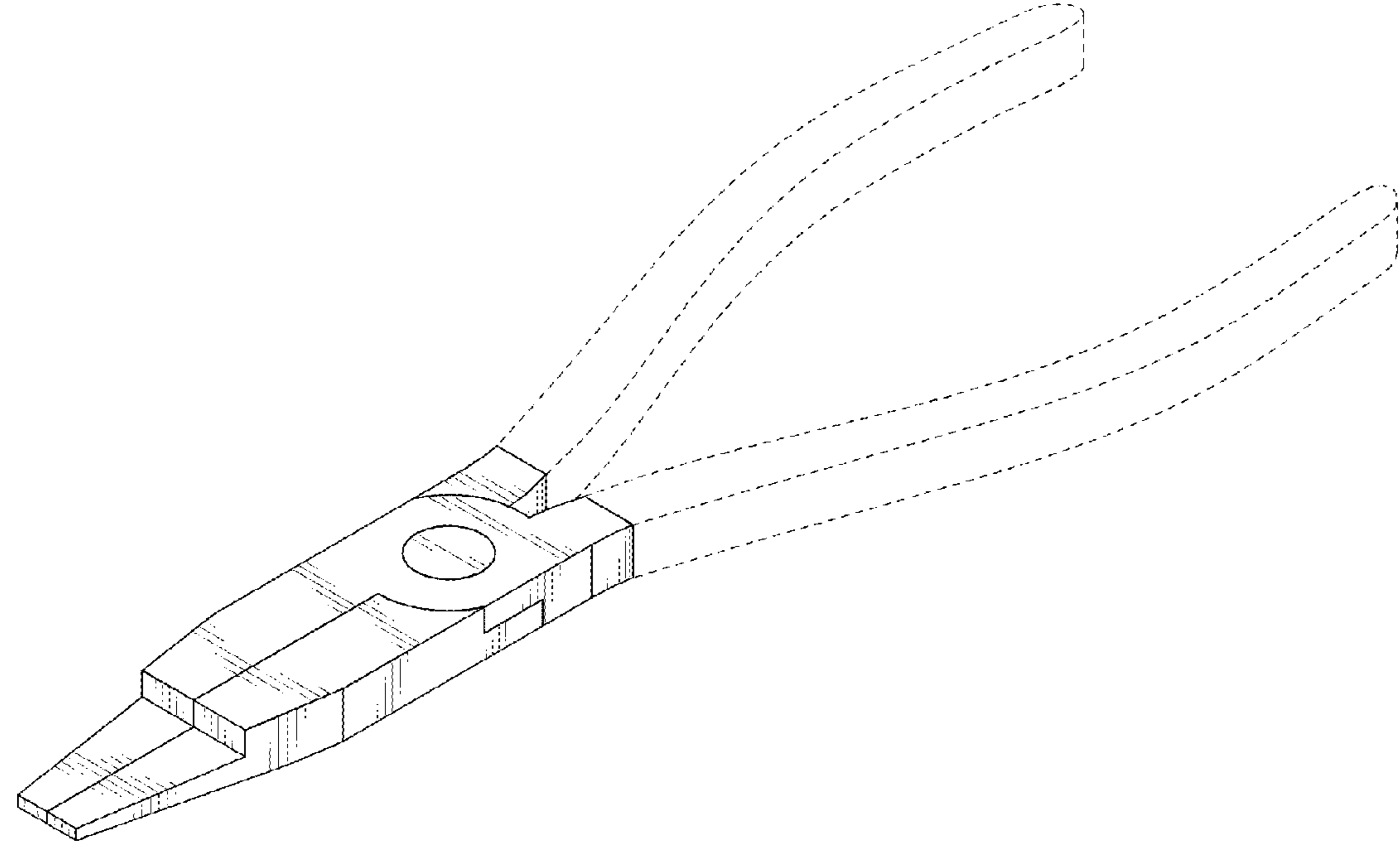
OTHER PUBLICATIONS
Beadsmith, posted Nov. 21, 2022 [online], [retrieved Jan. 23, 2023]. Retrieved from internet, <https://www.amazon.com/dp/B0BN2BN43J> (Year: 2022).*

* cited by examiner
Primary Examiner — David G Muller
Assistant Examiner — Christina Gabrielle Cosden

(57) **CLAIM**
The ornamental design for offset pliers, as shown and described.

DESCRIPTION
FIG. 1 is a top-front-left perspective view of offset pliers showing my new design;
FIG. 2 is a bottom-rear-right perspective view thereof;
FIG. 3 is a top plan view thereof;
FIG. 4 is a bottom plan view thereof;
FIG. 5 is a left-side elevational view thereof;
FIG. 6 is a right-side elevational view thereof;
FIG. 7 is an enlarged front elevational view thereof;
FIG. 8 is an enlarged rear elevational view thereof;
FIG. 9 is a top-front-left perspective view thereof, wherein the present invention is shown in an open configuration; and, FIG. 10 bottom-rear-right perspective view thereof.
The broken line showing a set of handles in FIG. 1 through 10; and the gripping surfaces in FIGS. 9 and 10 is included for the purpose of illustrating environmental structure and forms no part of the claimed design.

1 Claim, 10 Drawing Sheets



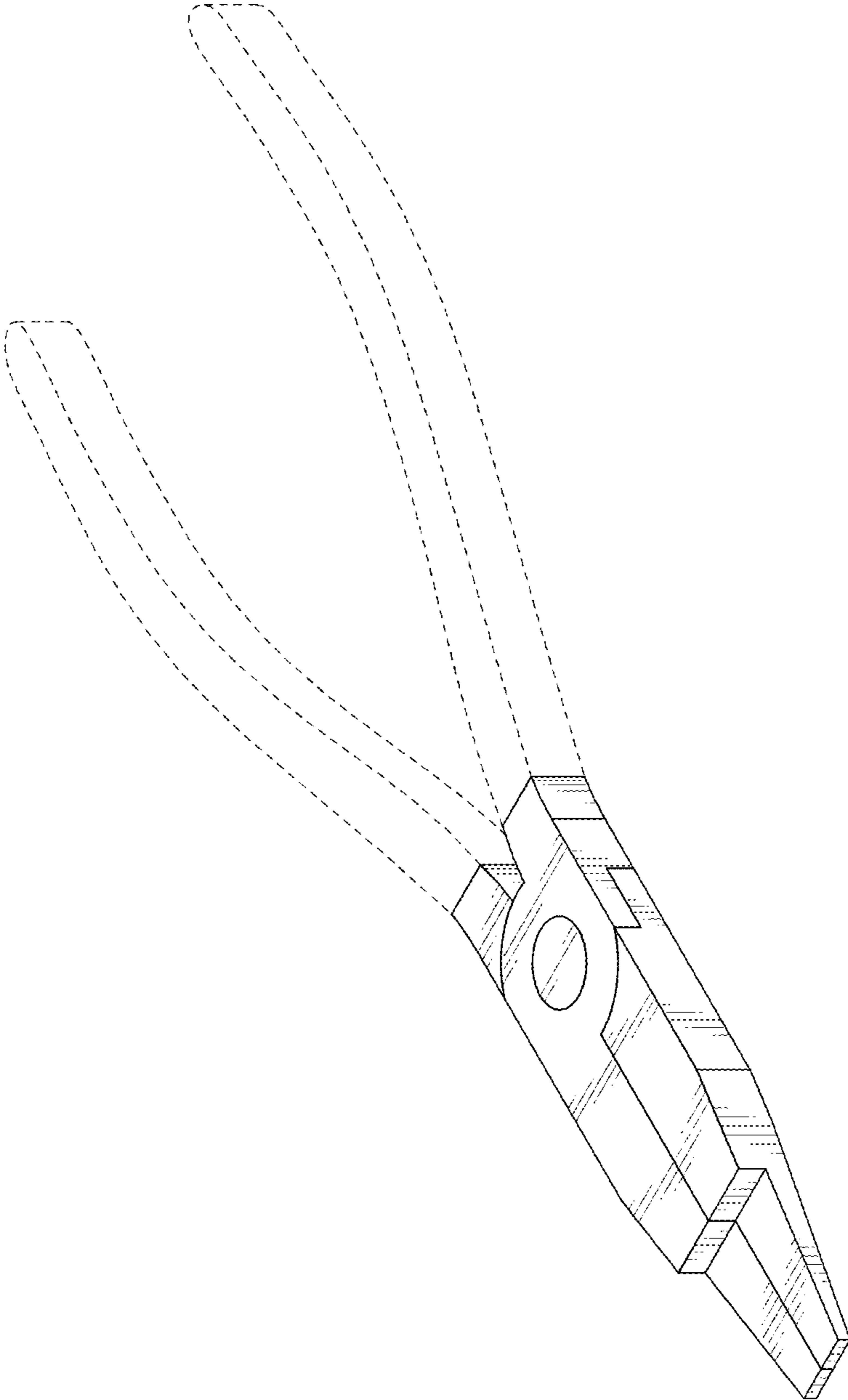


FIG. 1

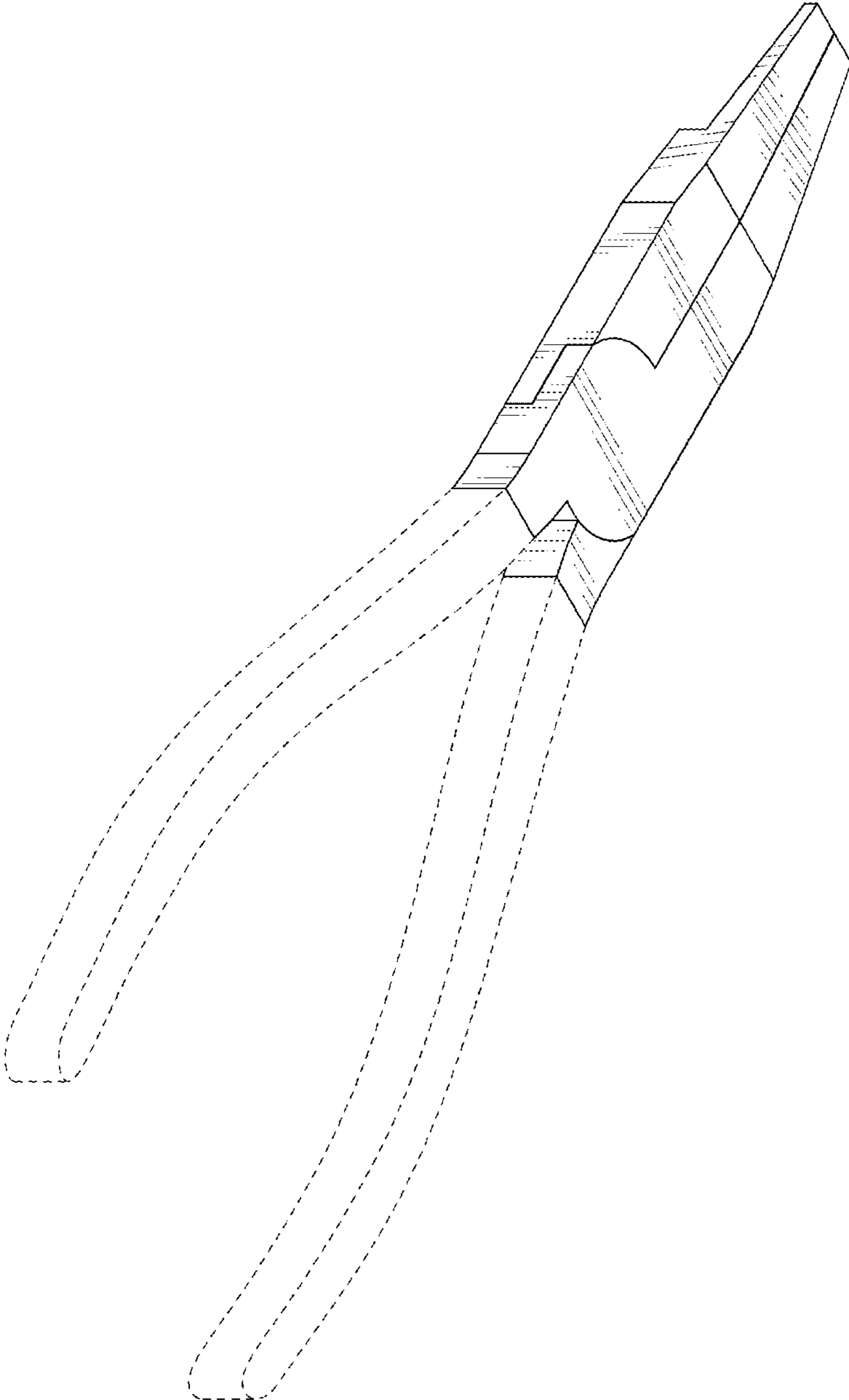


FIG. 2

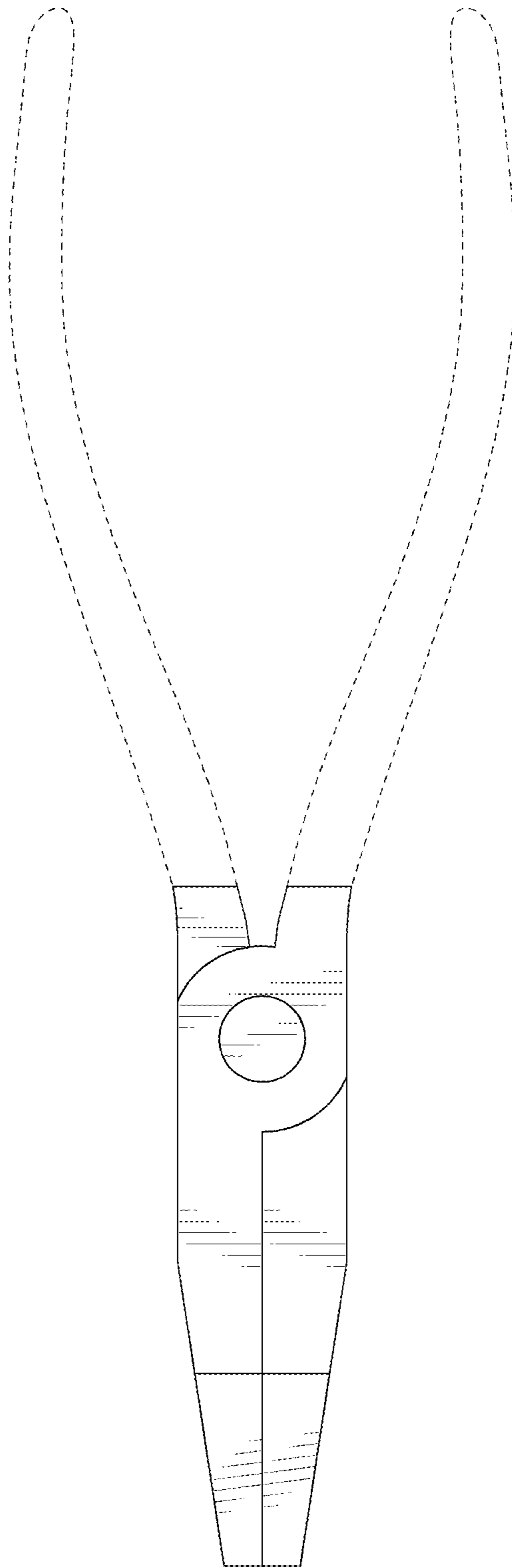


FIG. 3

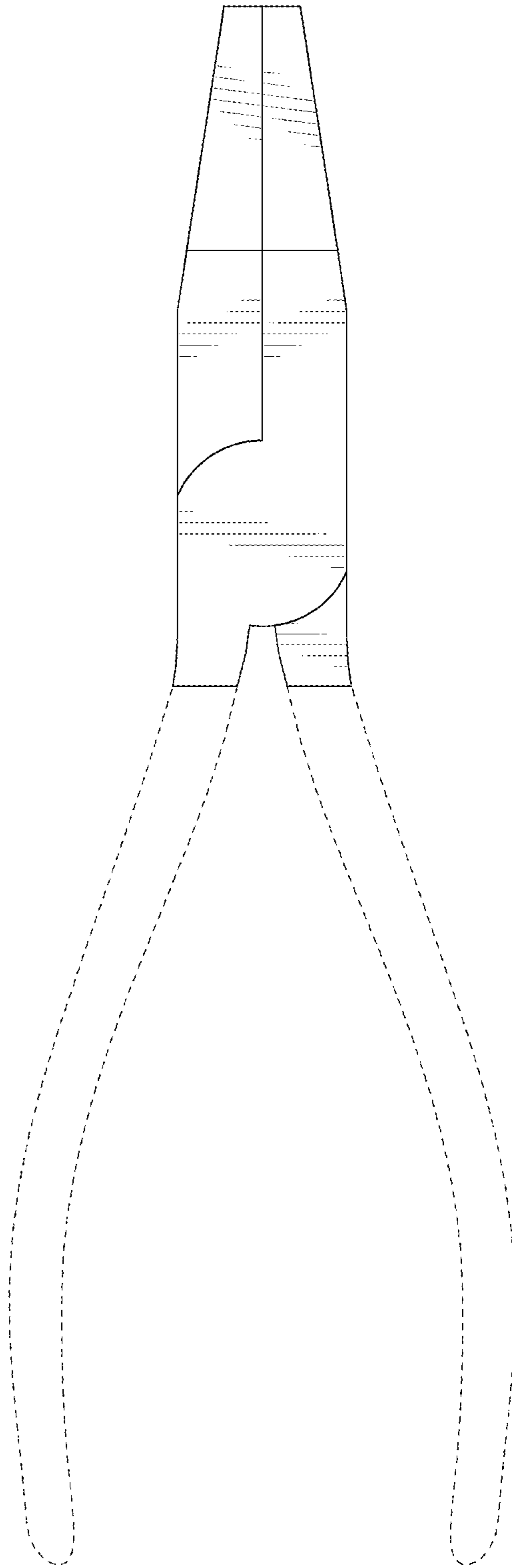


FIG. 4

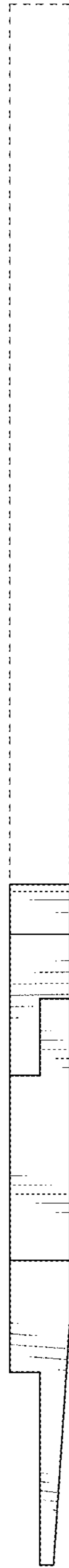


FIG. 5

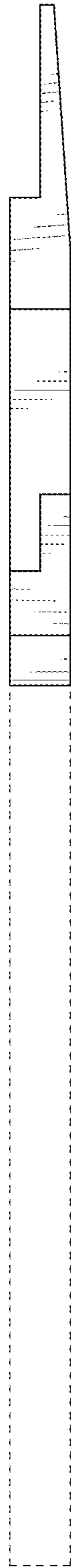


FIG. 6

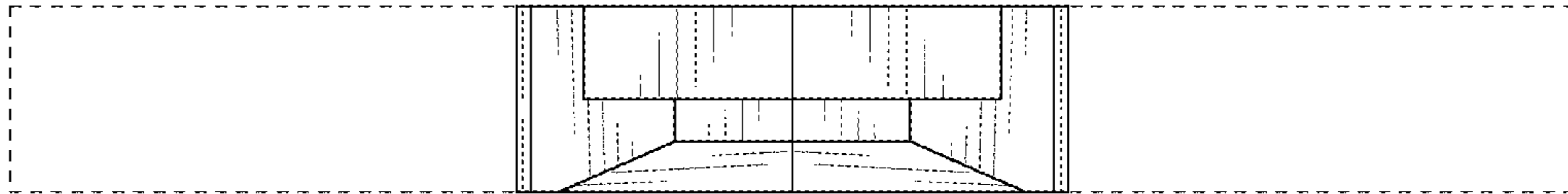


FIG. 7

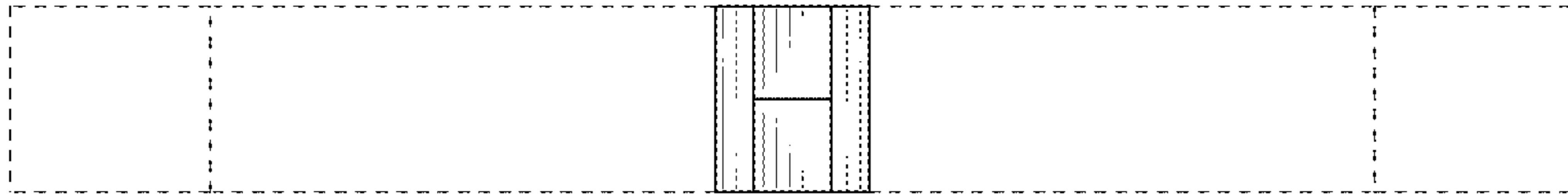


FIG. 8

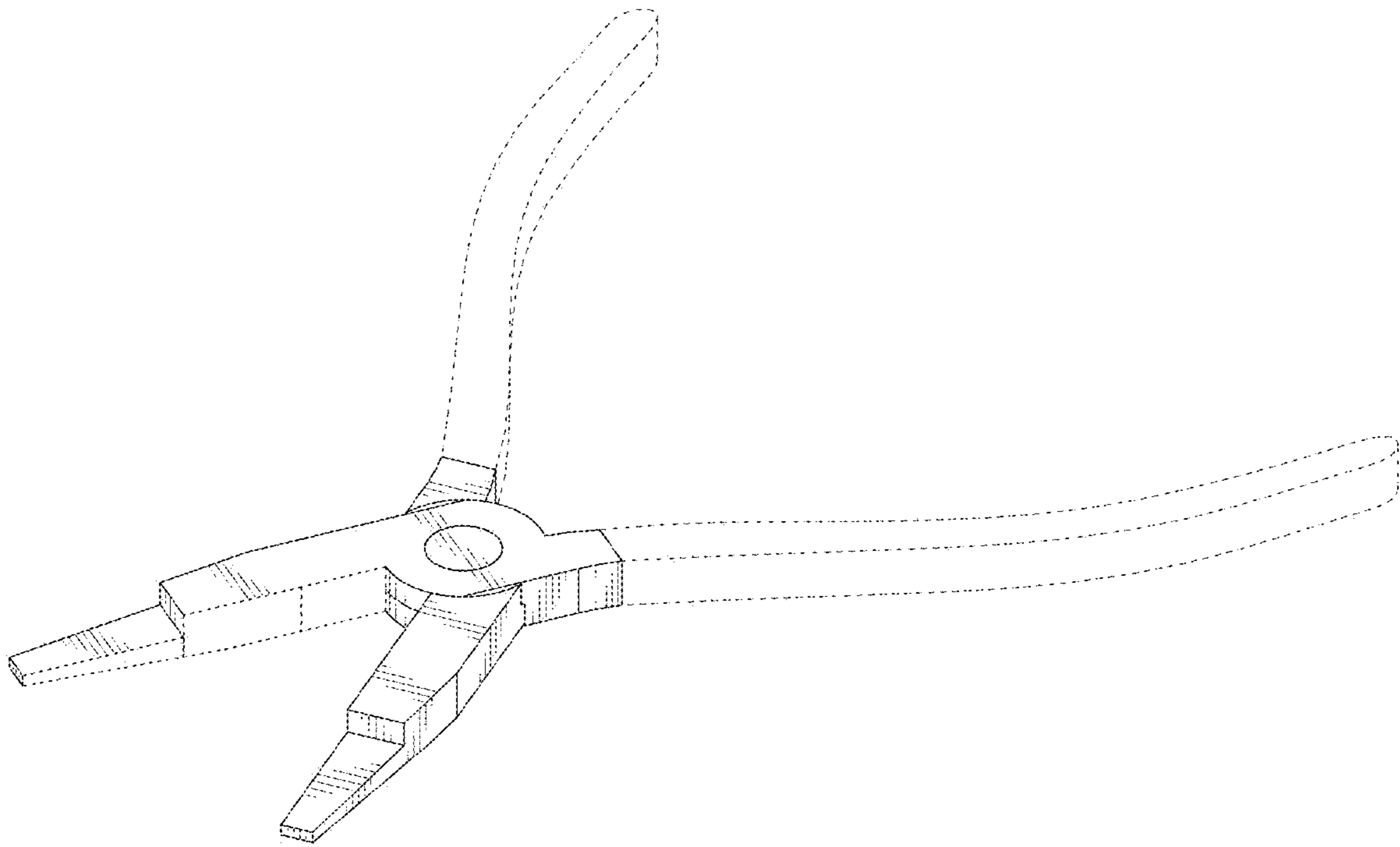


FIG. 9

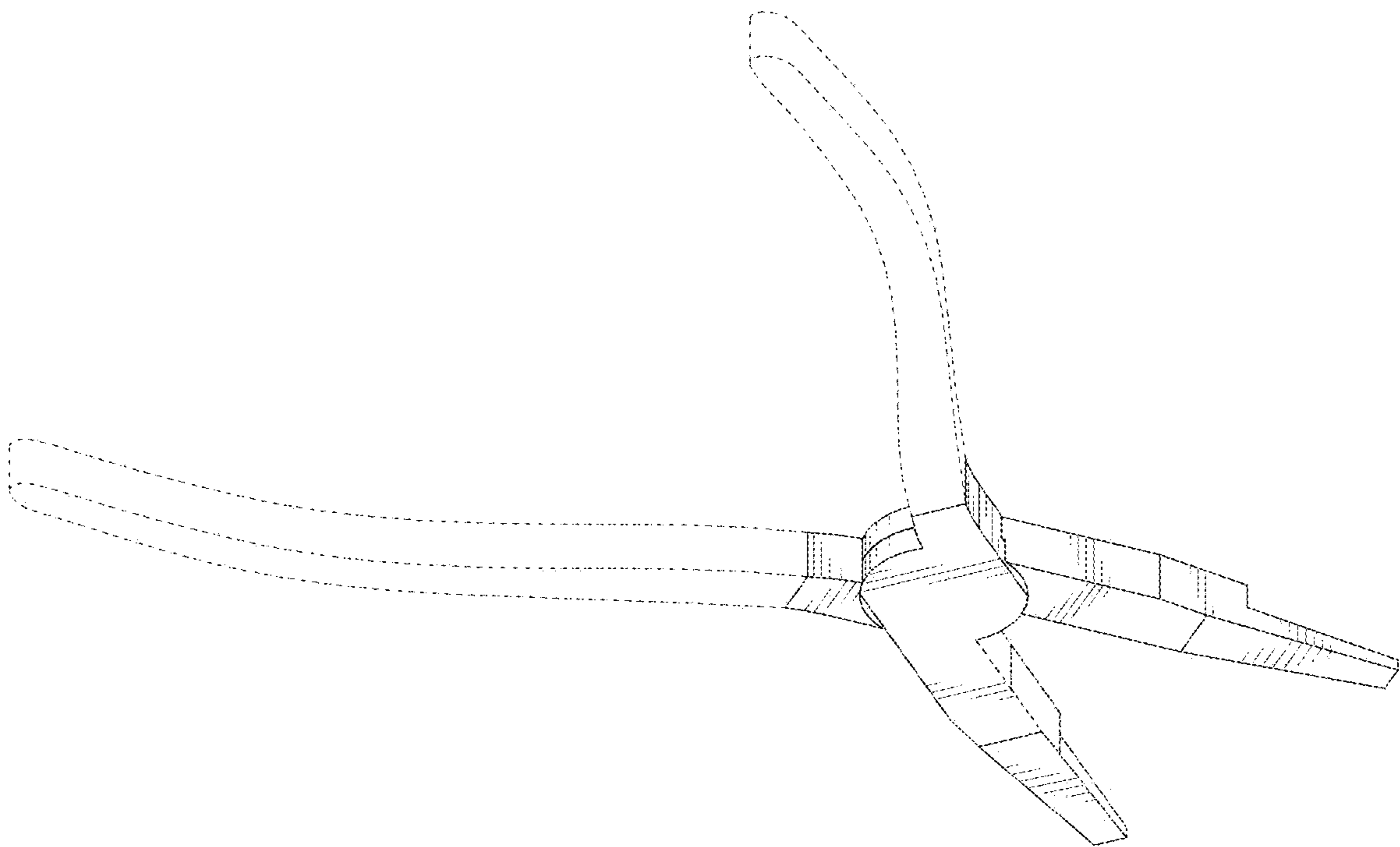


FIG. 10