



US00D992385S

(12) **United States Design Patent** (10) **Patent No.:** **US D992,385 S**
Shao (45) **Date of Patent:** **** Jul. 18, 2023**

(54) **TORQUE WRENCH**

(71) Applicant: **Rui Zhang**, Chuzhou (CN)

(72) Inventor: **Jun Shao**, Huangshan (CN)

(73) Assignee: **Rui Zhang**, Chuzhou (CN)

(**) Term: **15 Years**

(21) Appl. No.: **29/874,870**

(22) Filed: **Apr. 26, 2023**

(51) **LOC (14) Cl.** **08-05**

(52) **U.S. Cl.**
USPC **D8/24**

(58) **Field of Classification Search**
USPC D8/24-25
CPC . B25B 23/1425; B25B 23/1427; B25G 1/005;
B25G 1/002

See application file for complete search history.

(56) **References Cited**

U.S. PATENT DOCUMENTS

D605,482 S	*	12/2009	Jenkins	D8/24
D873,638 S	*	1/2020	Beckwith	D8/24
D893,272 S		8/2020	Su		
D900,568 S		11/2020	Zimmer		
D912,483 S		3/2021	DeBaker et al.		
D940,521 S	*	1/2022	Cyborski	D8/25
D947,630 S		4/2022	DeBaker et al.		
D967,682 S		10/2022	Richter		
D972,382 S		12/2022	Li		
D974,866 S		1/2023	Yang		

D981,197 S	*	3/2023	Tomm	D8/25
2020/0406435 A1	*	12/2020	Kuo	B25B 13/463
2021/0213592 A1	*	7/2021	Kuo	B25B 23/1427

* cited by examiner

Primary Examiner — Michael A. Pratt

(74) *Attorney, Agent, or Firm* — Westbridge IP LLC

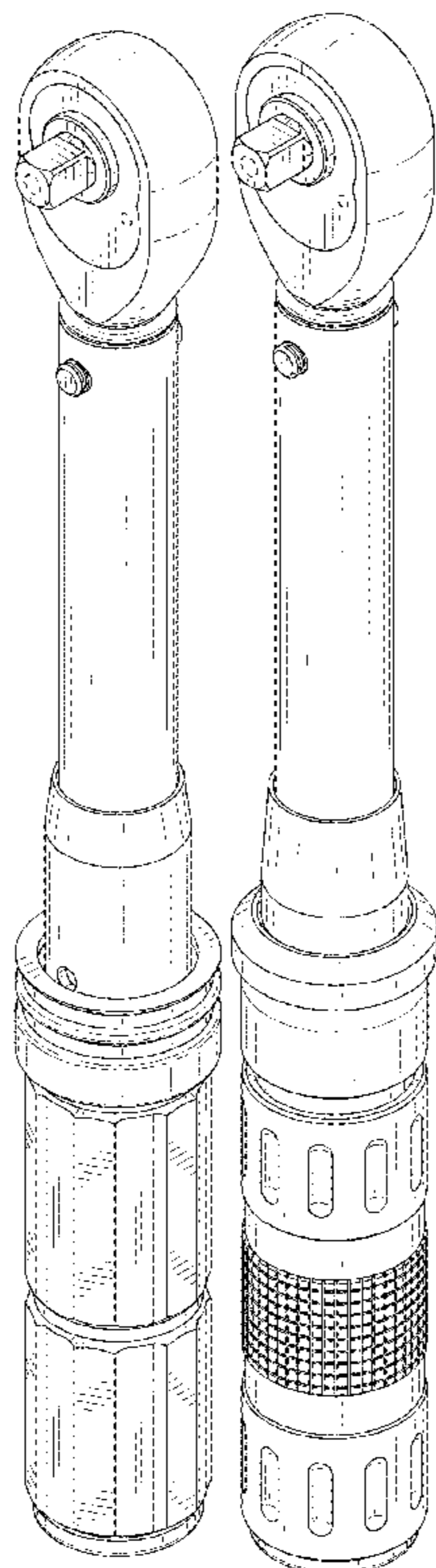
(57) **CLAIM**

The ornamental design for a torque wrench, as shown and described.

DESCRIPTION

FIG. 1 is a front perspective view of a first embodiment of a torque wrench showing my new design; FIG. 2 is a rear perspective view thereof; FIG. 3 is a front elevation view thereof; FIG. 4 is a rear elevation view thereof; FIG. 5 is a left side elevation view thereof; FIG. 6 is a right side elevation view thereof; FIG. 7 is a top plan view thereof; FIG. 8 is a bottom plan view thereof; FIG. 9 is a front perspective view of a second embodiment of a torque wrench; FIG. 10 is a rear perspective view of FIG. 9; FIG. 11 is a front elevation view of FIG. 9; FIG. 12 is a rear elevation view of FIG. 9; FIG. 13 is a left side elevation view of FIG. 9; FIG. 14 is a right side elevation view of FIG. 9; FIG. 15 is a top plan view of FIG. 9; and, FIG. 16 is a bottom plan view of FIG. 9. The evenly broken lines in the drawings illustrate portions of the torque wrench that form no part of the claimed design.

1 Claim, 16 Drawing Sheets



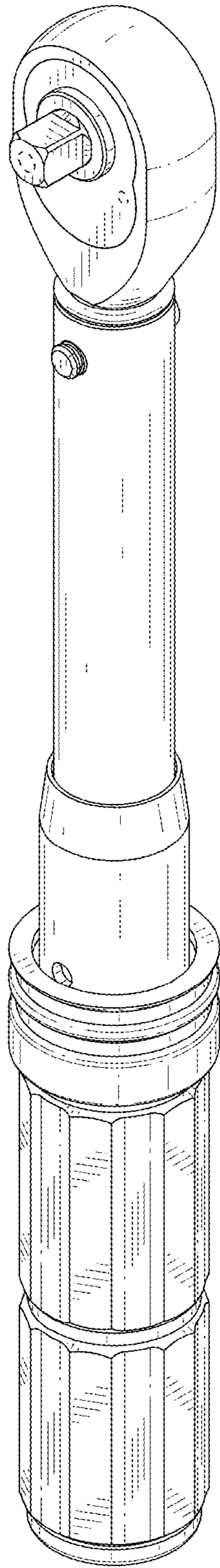


FIG. 1

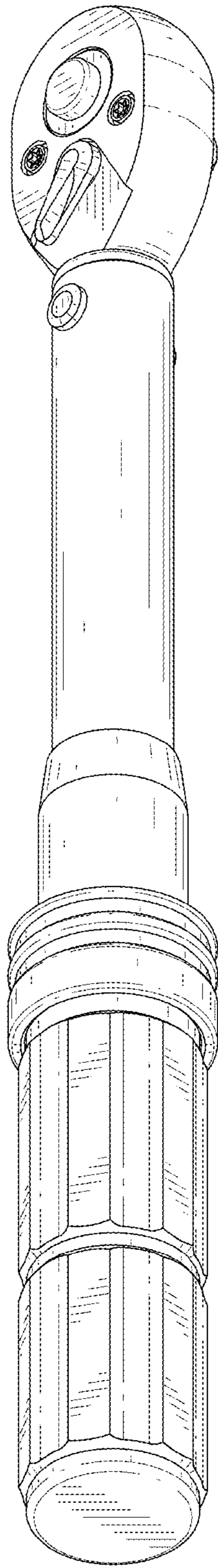


FIG. 2

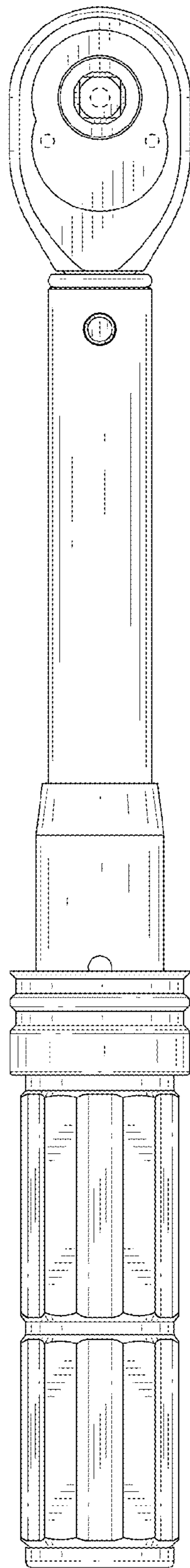


FIG. 3

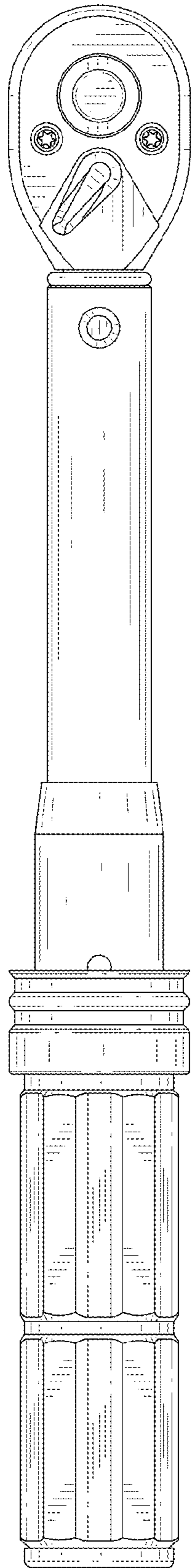


FIG. 4

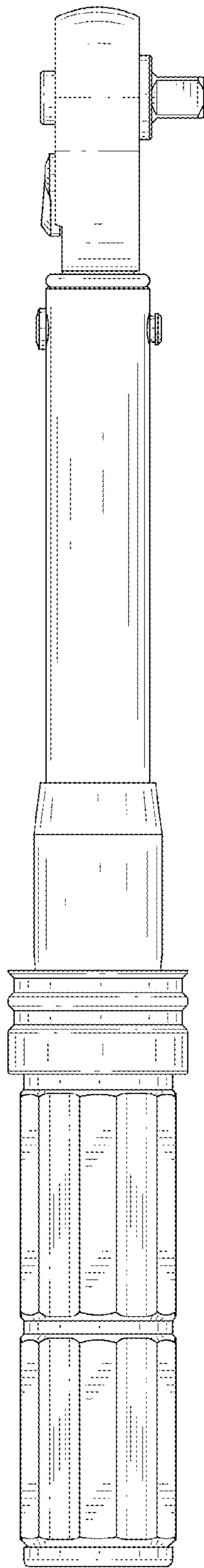


FIG. 5

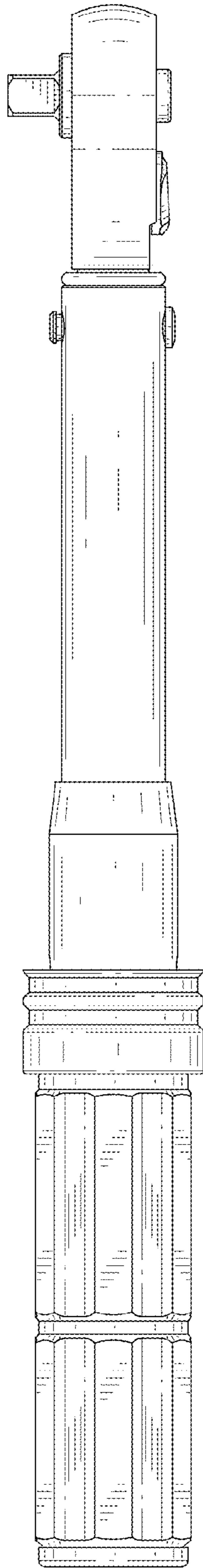


FIG. 6

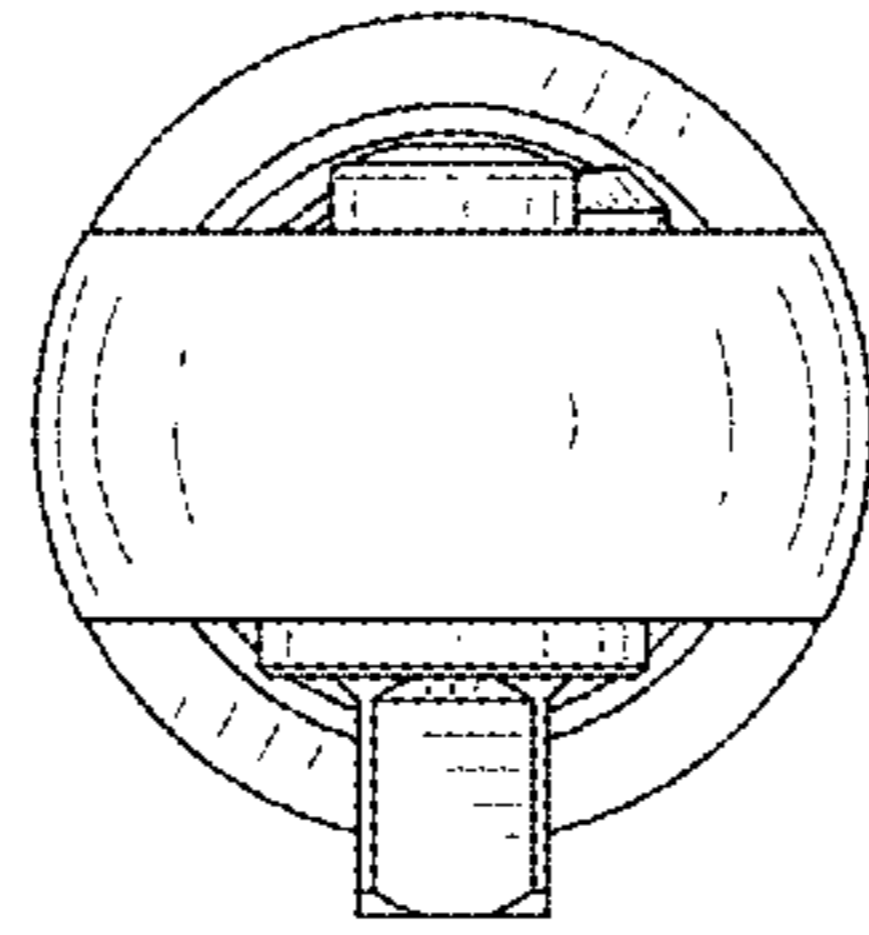


FIG. 7

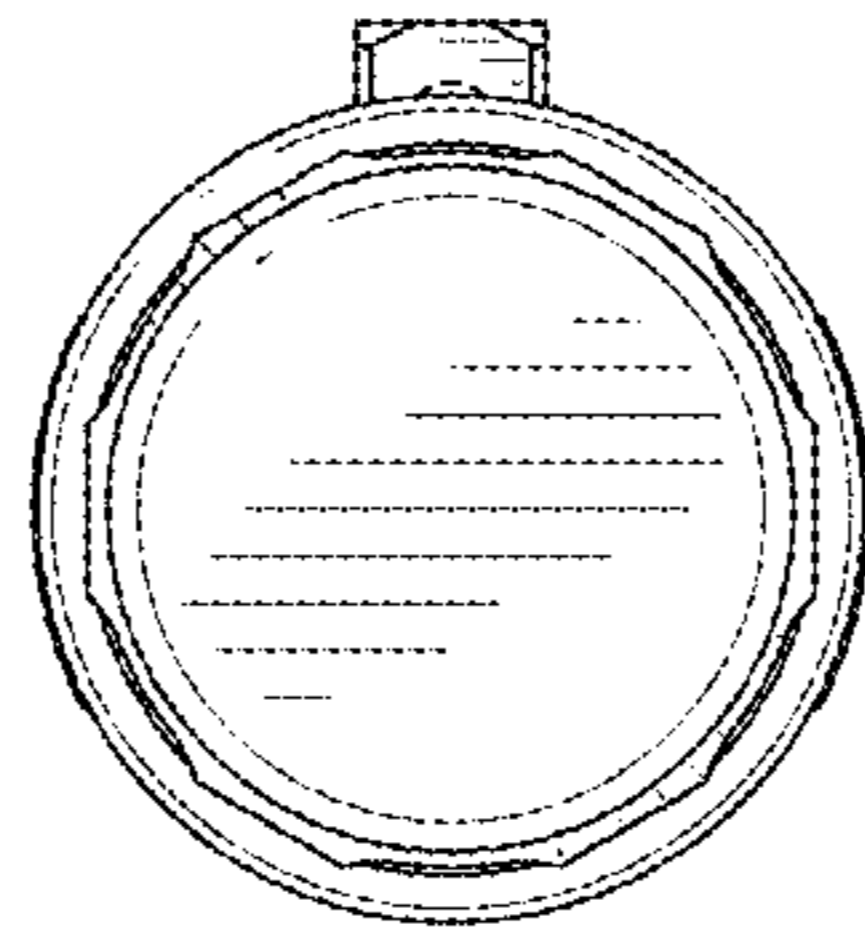


FIG. 8

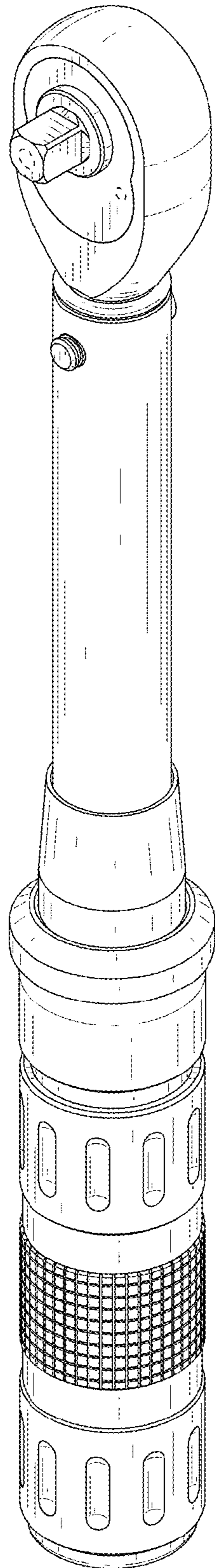


FIG. 9

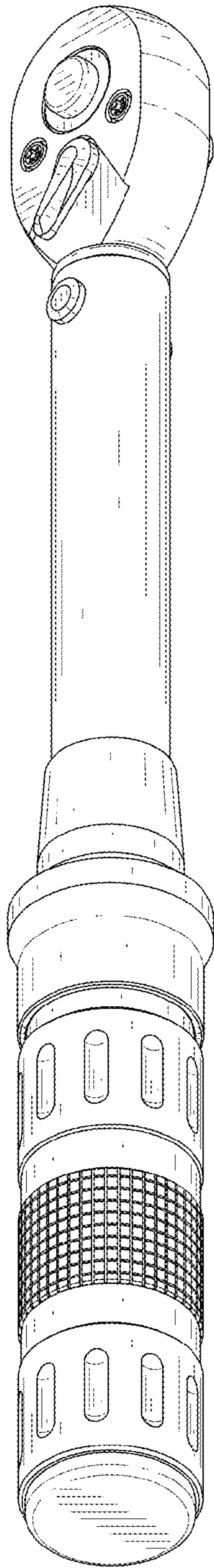


FIG. 10

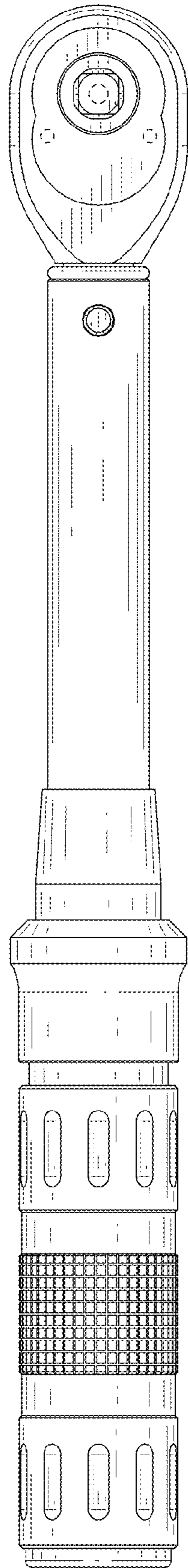


FIG. 11

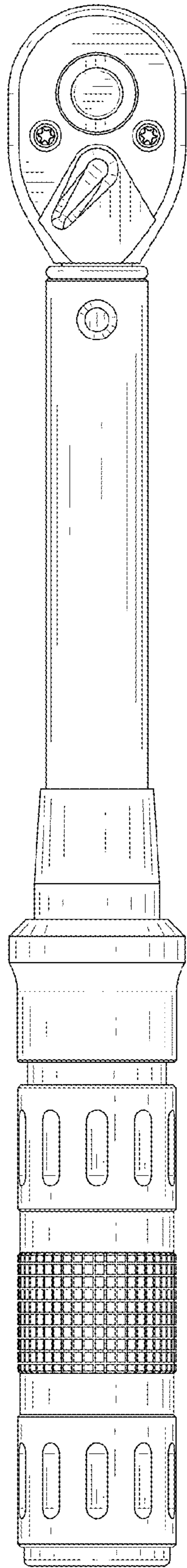


FIG. 12

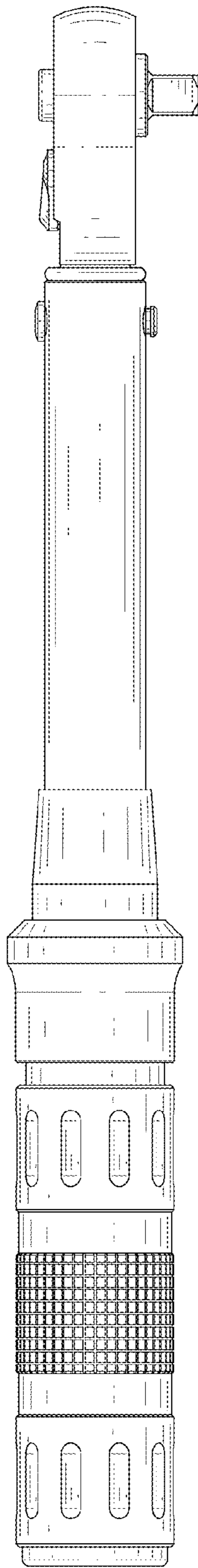


FIG. 13

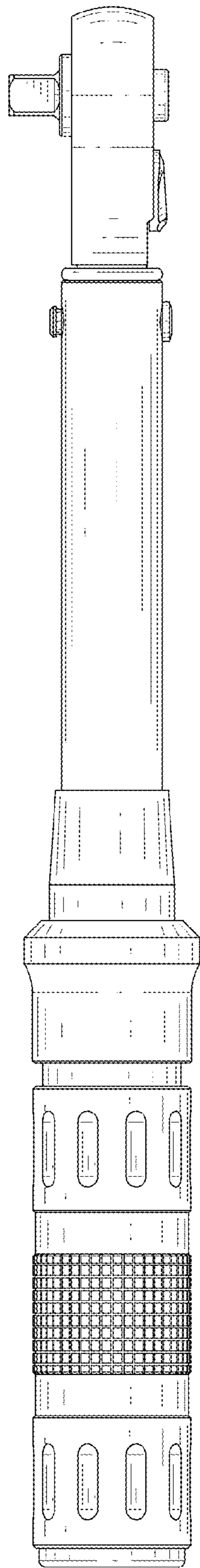


FIG. 14

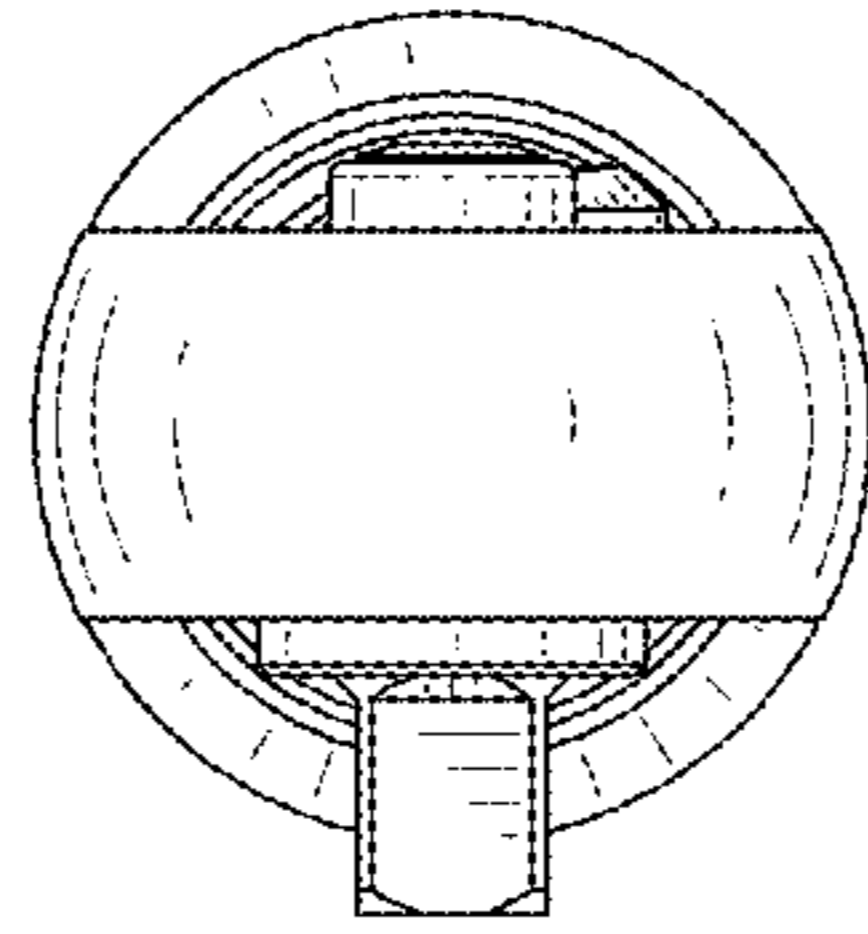


FIG. 15

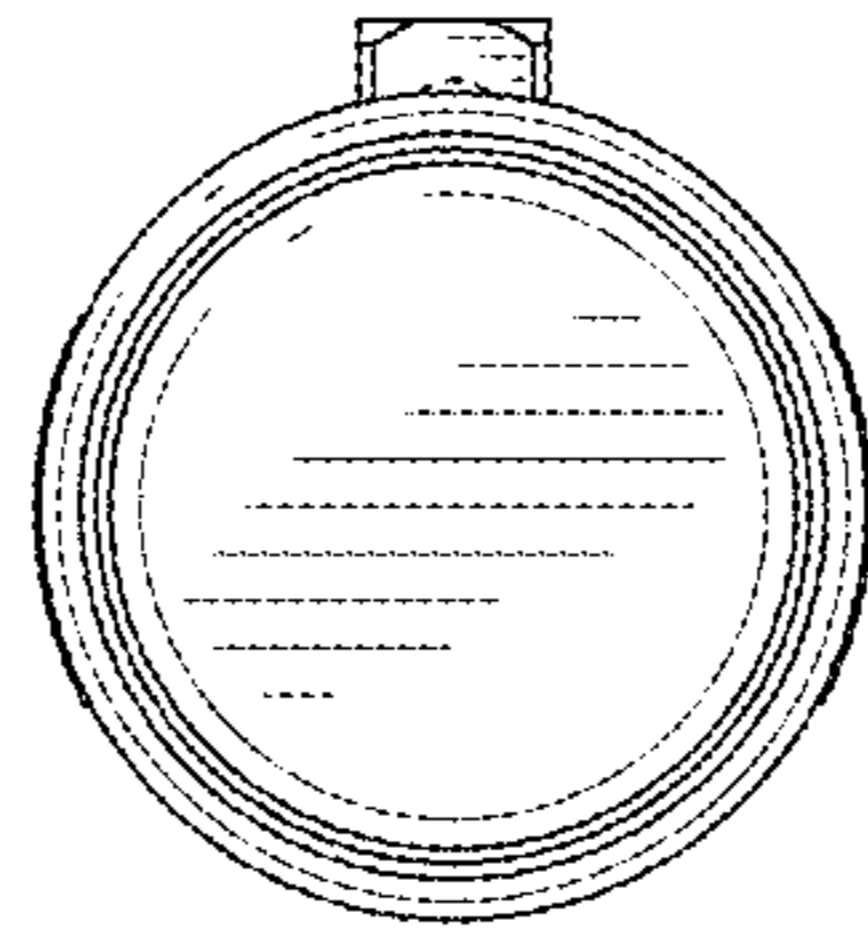


FIG. 16