

US00D992311S

(12) **United States Design Patent** (10) **Patent No.:** **US D992,311 S**
Allen et al. (45) **Date of Patent:** **** Jul. 18, 2023**

(54) **WORK AREA SCREEN**

FOREIGN PATENT DOCUMENTS

(71) Applicant: **Steelcase Inc.**, Grand Rapids, MI (US)

CH 637 885 A 8/1983
DE 42 19 943 C1 2/1993

(72) Inventors: **John M. Allen**, Grand Rapids, MI (US); **William Bennie**, Rockford, MI (US); **Kaitlyn T. Gillmor**, Grand Rapids, MI (US)

(Continued)

Primary Examiner — Catherine Ho

(74) *Attorney, Agent, or Firm* — Crowell & Moring LLP

(73) Assignee: **Steelcase Inc.**, Grand Rapids, MI (US)

(57) **CLAIM**

(**) Term: **15 Years**

We claim the ornamental design for a work area screen, as shown and described.

(21) Appl. No.: **29/809,048**

DESCRIPTION

(22) Filed: **Sep. 24, 2021**

(51) **LOC (14) Cl.** **06-06**

(52) **U.S. Cl.**

USPC **D6/332**; D6/643; D6/714

(58) **Field of Classification Search**

USPC D6/332, 335, 337, 338, 364, 640, 641, D6/642, 643, 643.1, 644, 648, 648.1, 653, D6/653.1, 654, 655.14, 656, 656.11, D6/656.16, 686, 687, 693, 698, 699, 707, D6/707.1, 707.19, 707.22, 707.24, 707.25, D6/708, 713, 714, 717

CPC A47B 9/04; A47B 2009/043; A47B 9/20; A47B 9/18; A47B 2009/185; A47B 9/00; A47B 3/002; A47B 9/10; A47B 9/12

See application file for complete search history.

FIG. 1 is a top front-right perspective view of a first embodiment of a work area screen;
FIG. 2 is a front elevation view thereof;
FIG. 3 is a rear elevation view thereof;
FIG. 4 is a right side elevation view thereof;
FIG. 5 is a left side elevation view thereof;
FIG. 6 is a top plan view thereof;
FIG. 7 is a bottom plan view thereof; and
FIG. 8 is a bottom front-right perspective view thereof;
FIG. 9 is a top front-right perspective view of a second embodiment of a work area screen;
FIG. 10 is a front elevation view thereof;
FIG. 11 is a rear elevation view thereof;
FIG. 12 is a right side elevation view thereof;
FIG. 13 is a left side elevation view thereof;
FIG. 14 is a top plan view thereof;
FIG. 15 is a bottom plan view thereof;
FIG. 16 is a bottom front-right perspective view thereof; and,
FIG. 17 is a top front-right perspective view of the first embodiment shown in an environment of use.
The broken lines in FIGS. 9-10, 15, and 16 illustrate portions of the article that form no part of the claimed design. The broken lines in FIG. 17 illustrates environment that forms no part of the claimed design.

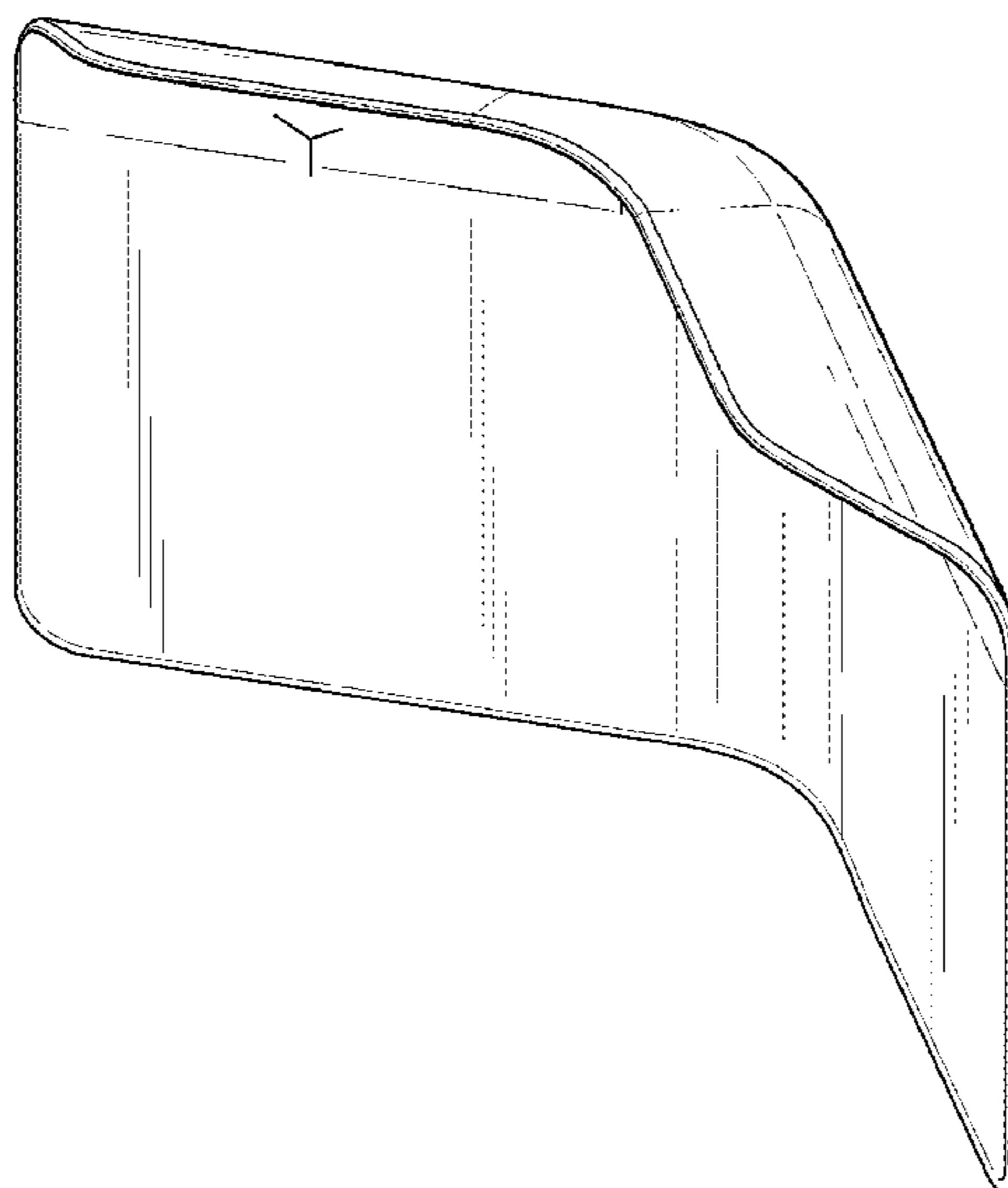
(56) **References Cited**

U.S. PATENT DOCUMENTS

D27,692 S * 9/1897 Eames D12/183
2,577,667 A * 12/1951 Waite A47G 5/00
139/420 R
2,887,154 A * 5/1959 Morningstar A47G 5/00
160/354
D191,747 S 11/1961 Jentzen
D203,121 S 12/1965 Barecki
D210,464 S 3/1968 Howlett

(Continued)

1 Claim, 11 Drawing Sheets



(56)

References Cited

U.S. PATENT DOCUMENTS

3,745,305 A * 7/1973 Reed A61F 7/02
219/217
D230,680 S 3/1974 Petersen
3,841,704 A 10/1974 Platner et al.
4,072,295 A 2/1978 Roberts
D250,378 S 11/1978 Woods
4,200,254 A * 4/1980 Nelson E04B 2/7405
248/188.8
D257,601 S * 12/1980 Cyplik D6/332
D257,604 S 12/1980 Cyplik
D257,812 S * 1/1981 Cyplik D6/332
4,250,676 A 2/1981 Presby
4,484,787 A 11/1984 Stephens
4,588,626 A 5/1986 Cologna et al.
4,602,817 A 7/1986 Raftery
4,759,520 A 7/1988 Levine
D304,529 S * 11/1989 Hontz D6/332
4,890,883 A 1/1990 Boerema et al.
4,949,490 A 8/1990 Miller
D328,529 S 8/1992 Lenarczyk
D330,469 S 10/1992 Brodbeck et al.
D333,352 S 2/1993 Heidmann
5,238,515 A 8/1993 Insalaco et al.
D382,735 S * 8/1997 Zapf D7/698
D402,476 S 12/1998 Thorp et al.
5,900,303 A 5/1999 Billarant
D415,901 S 11/1999 Arko et al.
D427,783 S 7/2000 Luedke
6,263,817 B1 7/2001 Tajima et al.
D449,169 S 10/2001 Bennie et al.
D450,465 S 11/2001 Overthun et al.
D452,559 S * 12/2001 Schonberger D23/406
D455,889 S 4/2002 Jobin
D457,359 S 5/2002 Chan
D457,737 S 5/2002 Citterio
D458,040 S 6/2002 Stannis et al.
D458,041 S 6/2002 Couture et al.
6,848,744 B1 2/2005 Raftery et al.
D513,564 S 1/2006 Nobles et al.
D540,565 S 4/2007 Nakamura
D560,072 S 1/2008 Willis
D599,122 S 9/2009 Feldpausch et al.
D603,125 S 10/2009 Lara Bartolome
D603,184 S 11/2009 Abel et al.
D611,399 S * 3/2010 Bock D12/345
D615,919 S * 5/2010 Bock D12/345
D616,668 S 6/2010 Pazhoor
D621,329 S * 8/2010 Bock D12/345
D621,330 S * 8/2010 Bock D12/345
D621,331 S * 8/2010 Bock D12/345
D651,214 S * 12/2011 Yoo D14/448
D651,416 S 1/2012 Martin et al.
D661,112 S 6/2012 Grandin et al.
D683,150 S 5/2013 Smith et al.
D699,461 S 2/2014 Bosman
D725,919 S 4/2015 Hidalgo
D726,424 S 4/2015 Nguyen et al.
D727,637 S 4/2015 Tsuchiyama et al.
D732,850 S 6/2015 Bouroullec et al.
D740,573 S 10/2015 Bouroullec et al.
D758,776 S * 6/2016 McKenna D6/717
D758,777 S * 6/2016 McKenna D6/717
D774,318 S 12/2016 Tsuchiyama et al.
D774,339 S 12/2016 Parshad
D777,459 S 1/2017 Parshad
D778,075 S 2/2017 Holbrook
D779,237 S 2/2017 Schalk et al.
D782,835 S 4/2017 Parshad
9,622,570 B1 * 4/2017 Holdredge A47B 5/00
D789,710 S 6/2017 Holbrook
D793,749 S 8/2017 Kitajima
D793,750 S 8/2017 Kitajima
D793,751 S 8/2017 Kitajima

D796,216 S 9/2017 Rockwell et al.
D798,610 S 10/2017 Kitajima
D798,611 S 10/2017 Kitajima
D798,612 S 10/2017 Kitajima
D800,459 S 10/2017 Rockwell et al.
D803,601 S * 11/2017 Schalk D6/643.1
D807,652 S 1/2018 Kawamoto
D811,759 S * 3/2018 Woods D6/342
D811,760 S * 3/2018 Woods D6/342
D813,433 S 3/2018 Stathis et al.
D824,195 S 7/2018 Ezure et al.
D832,622 S 11/2018 Goodrum
D834,839 S 12/2018 Goodrum
D848,159 S 5/2019 Hiyoshi et al.
D848,160 S 5/2019 Hiyoshi et al.
D859,013 S 9/2019 Yamamoto
D870,473 S 12/2019 Hamilton et al.
D871,120 S * 12/2019 Schalk D6/714
D871,783 S 1/2020 Yamamoto
D877,540 S * 3/2020 Yamamoto D6/643
D877,541 S * 3/2020 Yamamoto D6/643
D878,812 S 3/2020 Udagawa et al.
D883,686 S 5/2020 Urquiola
D904,078 S * 12/2020 Udagawa D6/643
D907,406 S * 1/2021 Udagawa D6/643
D911,761 S * 3/2021 Sampath D6/714
10,933,783 B1 3/2021 Hamlin
D917,946 S * 5/2021 Hill D6/714
D922,102 S * 6/2021 Udagawa D6/643
D950,995 S * 5/2022 Kilian D6/714
D963,380 S * 9/2022 Sollie D6/643
D968,513 S * 11/2022 Urban D21/333
2002/0074845 A1 6/2002 Perske et al.
2003/0001421 A1 1/2003 Schmidt
2003/0042773 A1 3/2003 Stiller et al.
2003/0162008 A1 8/2003 Cappucci et al.
2003/0215601 A1 11/2003 Pedde et al.
2004/0016519 A1 1/2004 Welfonder
2004/0061254 A1 4/2004 Snooks
2004/0124689 A1 7/2004 Numa et al.
2005/0006944 A1 1/2005 Ali et al.
2006/0198117 A1 9/2006 Fong
2007/0257531 A1 11/2007 Mashimo
2009/0000169 A1 1/2009 Houssain et al.
2009/0064471 A1 3/2009 Santin et al.
2009/0100654 A1 4/2009 Carps
2010/0117434 A1 5/2010 Galbreath et al.
2011/0227390 A1 9/2011 Lovasz
2011/0304183 A1 12/2011 van Hekken
2013/0263769 A1 10/2013 Tempestra
2014/0311036 A1 10/2014 Alexander et al.
2016/0280533 A1 * 9/2016 Tsuchiyama B68G 5/00
2017/0282769 A1 10/2017 Stephan
2018/0087266 A1 * 3/2018 Hall E04B 2/7403
2019/0365101 A1 12/2019 Udagawa et al.
2020/0062582 A1 2/2020 Smith et al.
2022/0142839 A1 * 5/2022 Drake A61G 1/04
2023/0086481 A1 * 3/2023 Allen E04B 2/7405
52/239

FOREIGN PATENT DOCUMENTS

DE 10 2012 023 773 A1 6/2014
GB 2 184 648 A1 7/1987
JP H 03161565 A 7/1991
JP H 09302824 A 11/1997
JP 2000157392 A 6/2000
JP 2002101957 A 4/2002
JP 2008093071 A 4/2008
JP 2008301925 A 12/2008
JP 2017086373 A 5/2017
KR 10-0977389 B1 8/2010
WO WO 2004/074566 A1 9/2004
WO WO 2007/037587 A1 4/2007

* cited by examiner

FIG. 1

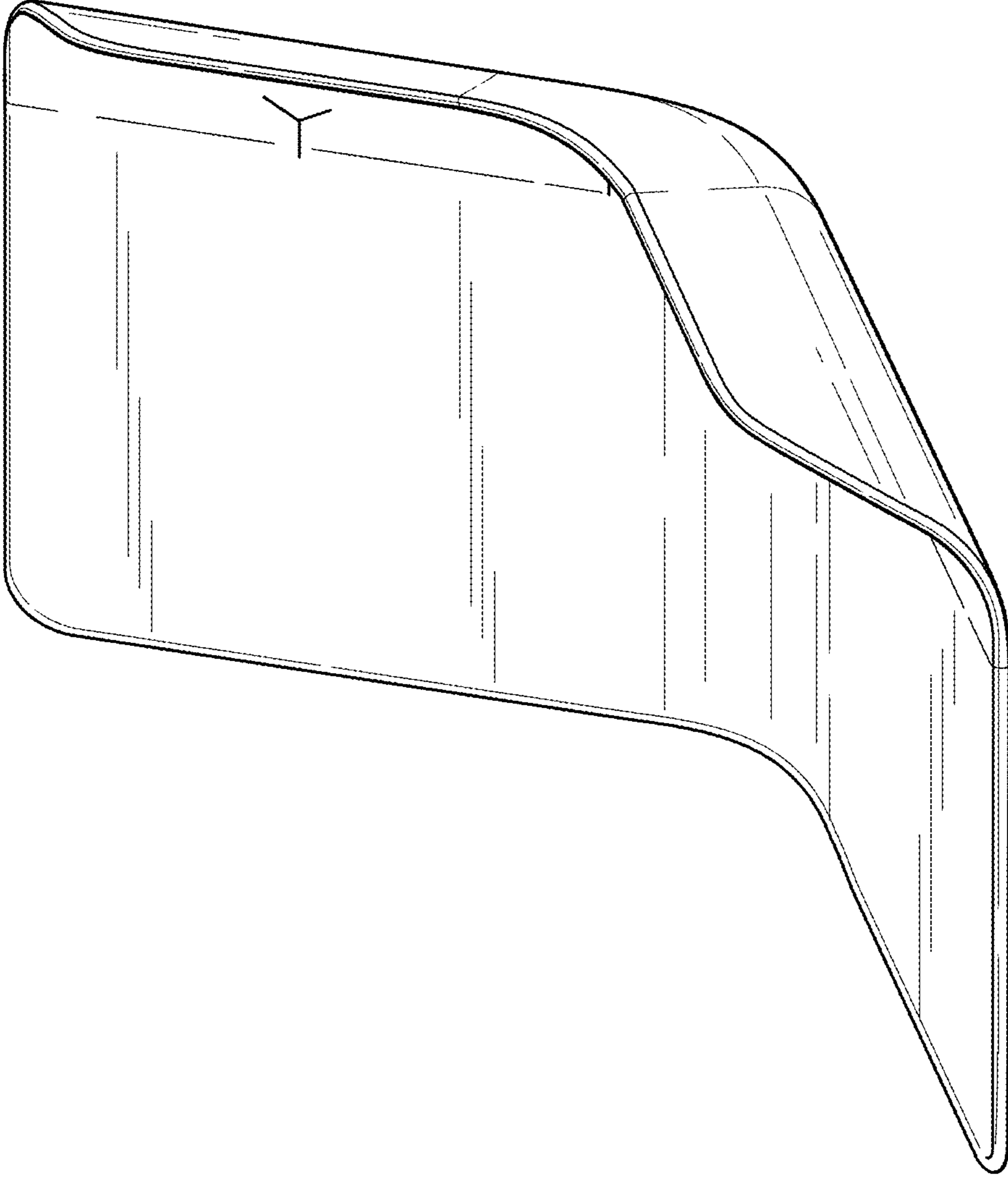


FIG. 2

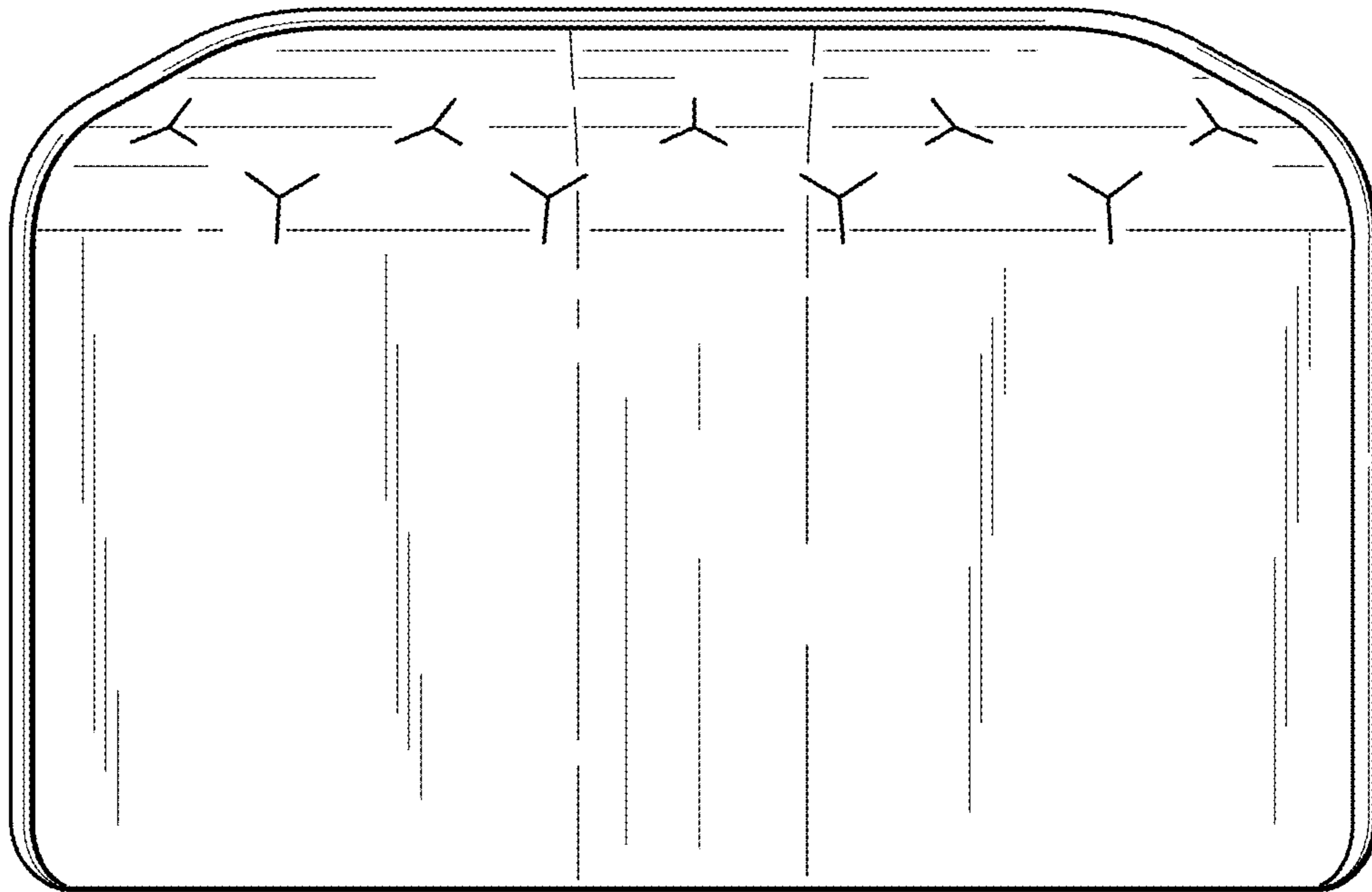


FIG. 3

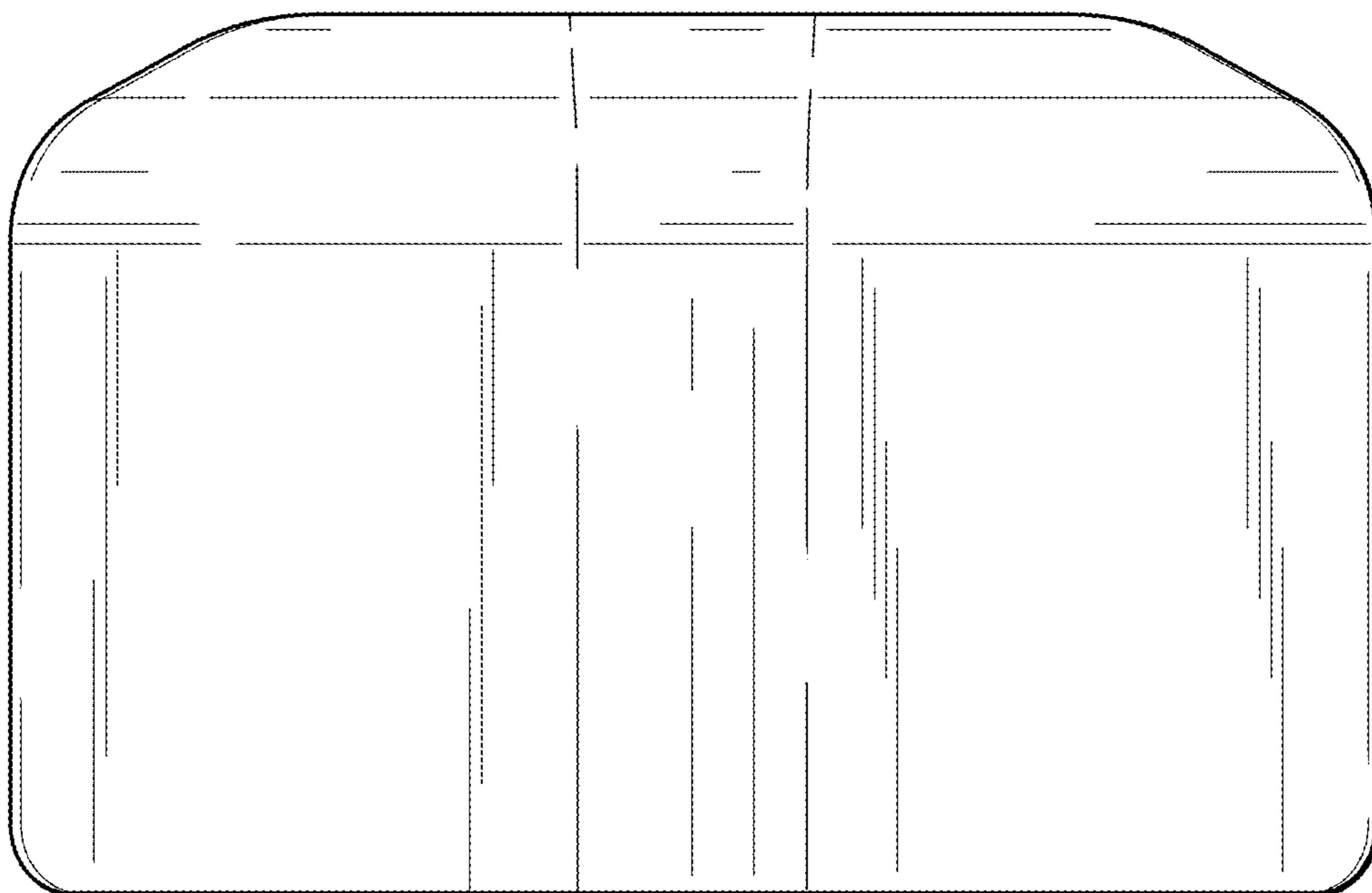


FIG. 4

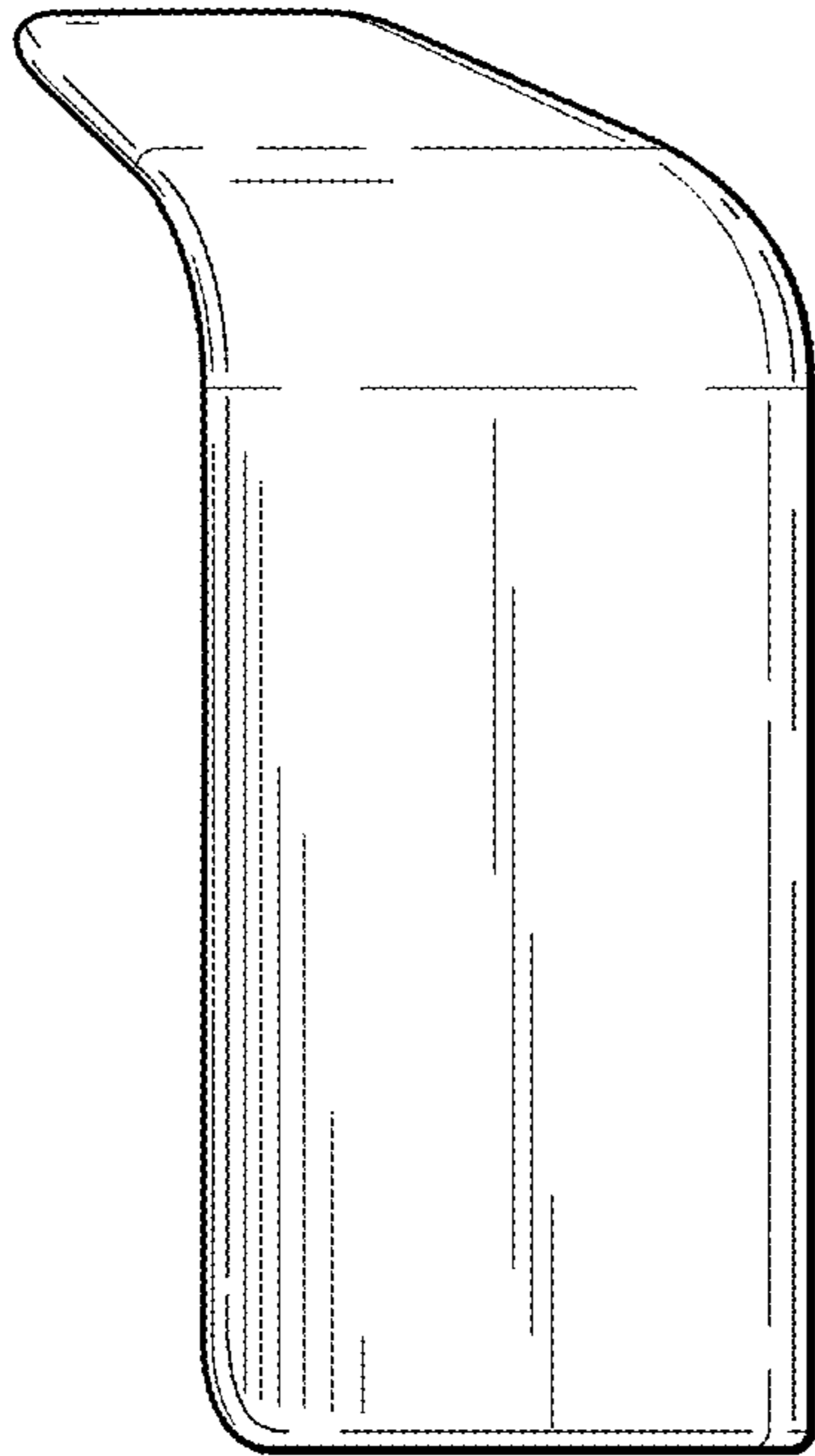


FIG. 5

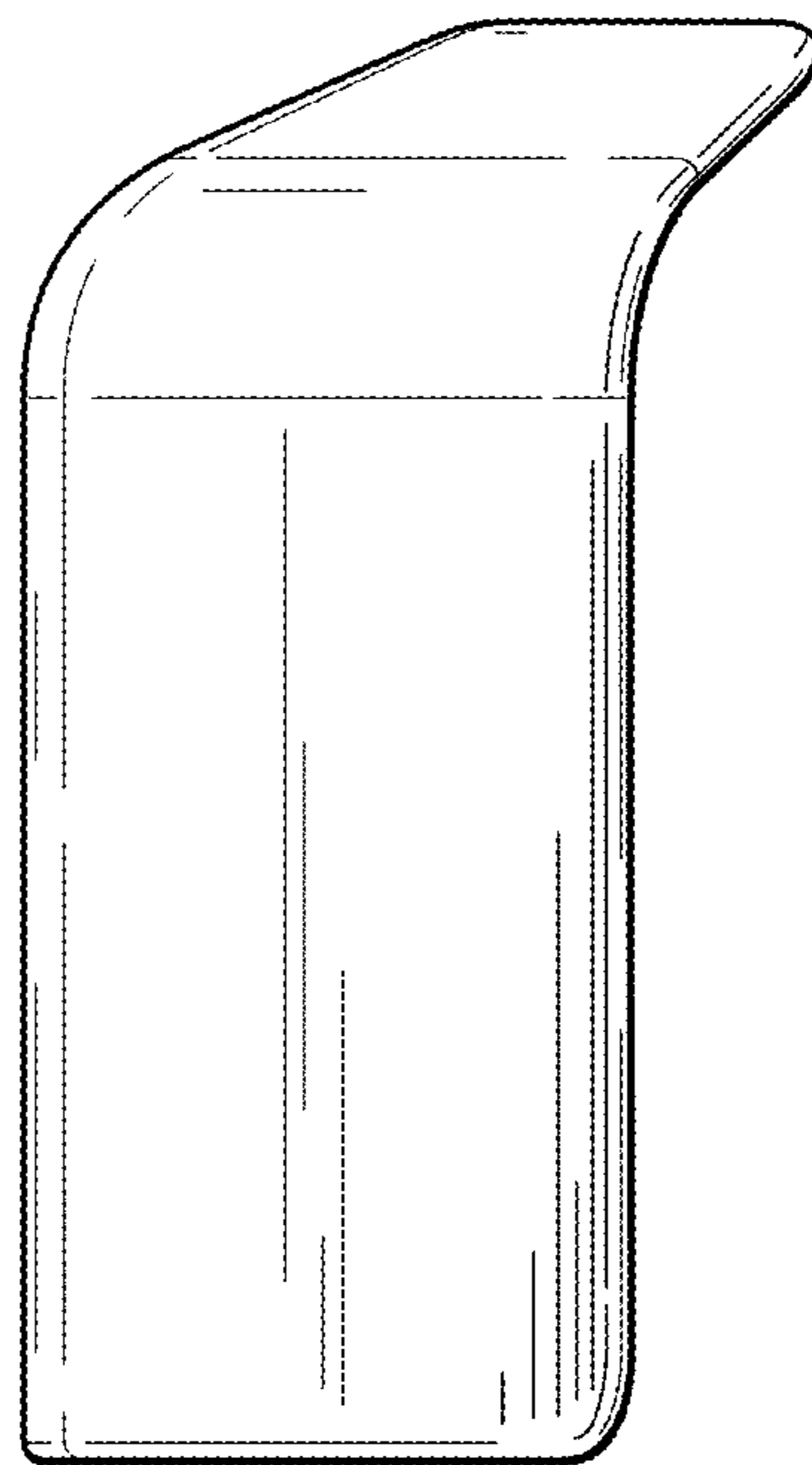


FIG. 6

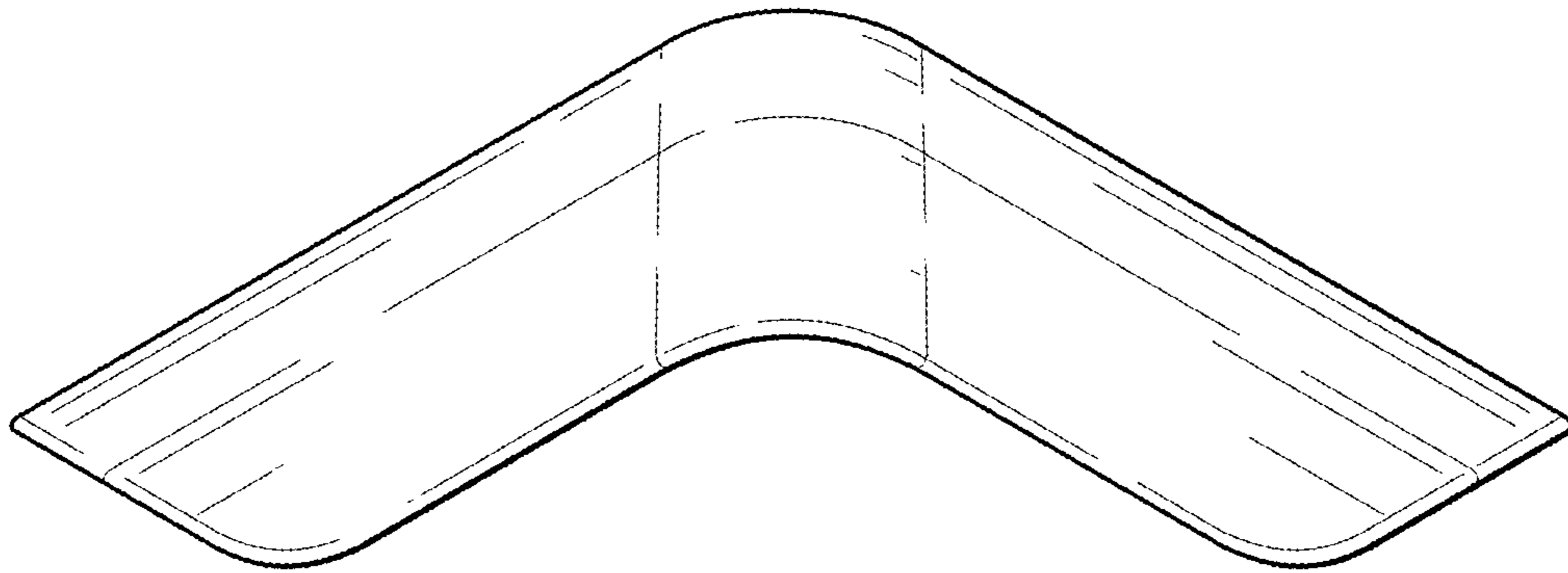


FIG. 7

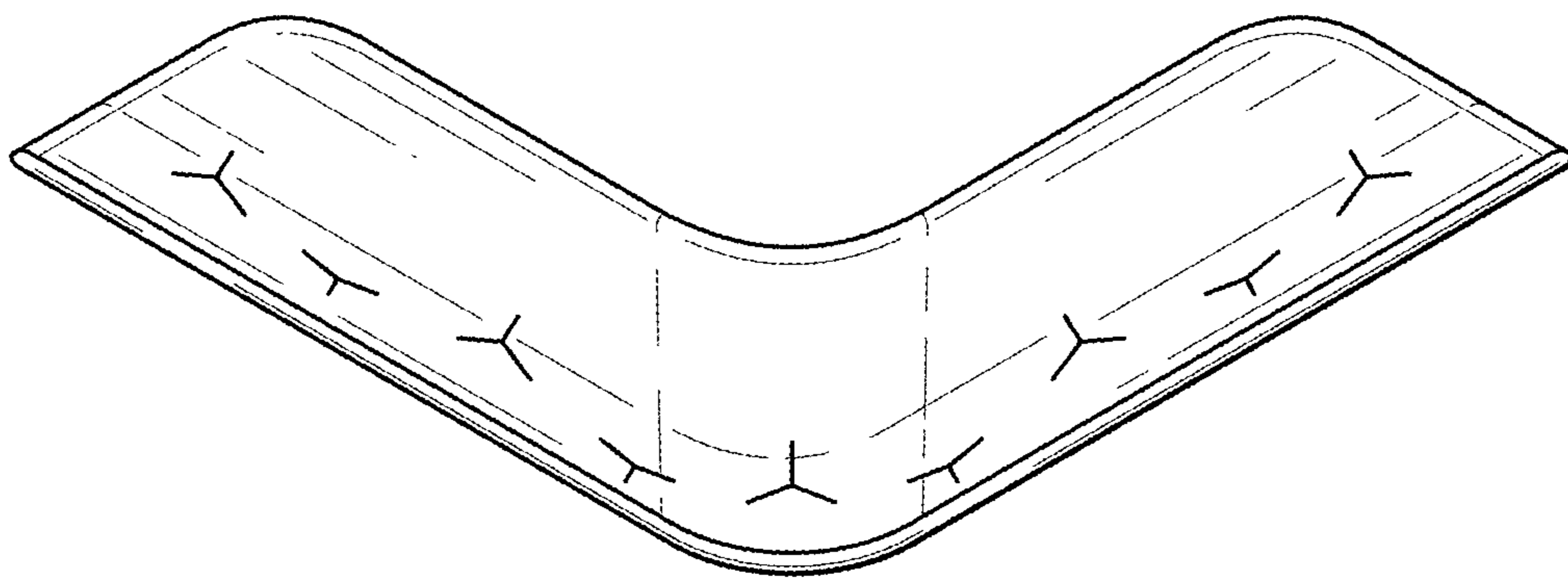


FIG. 8

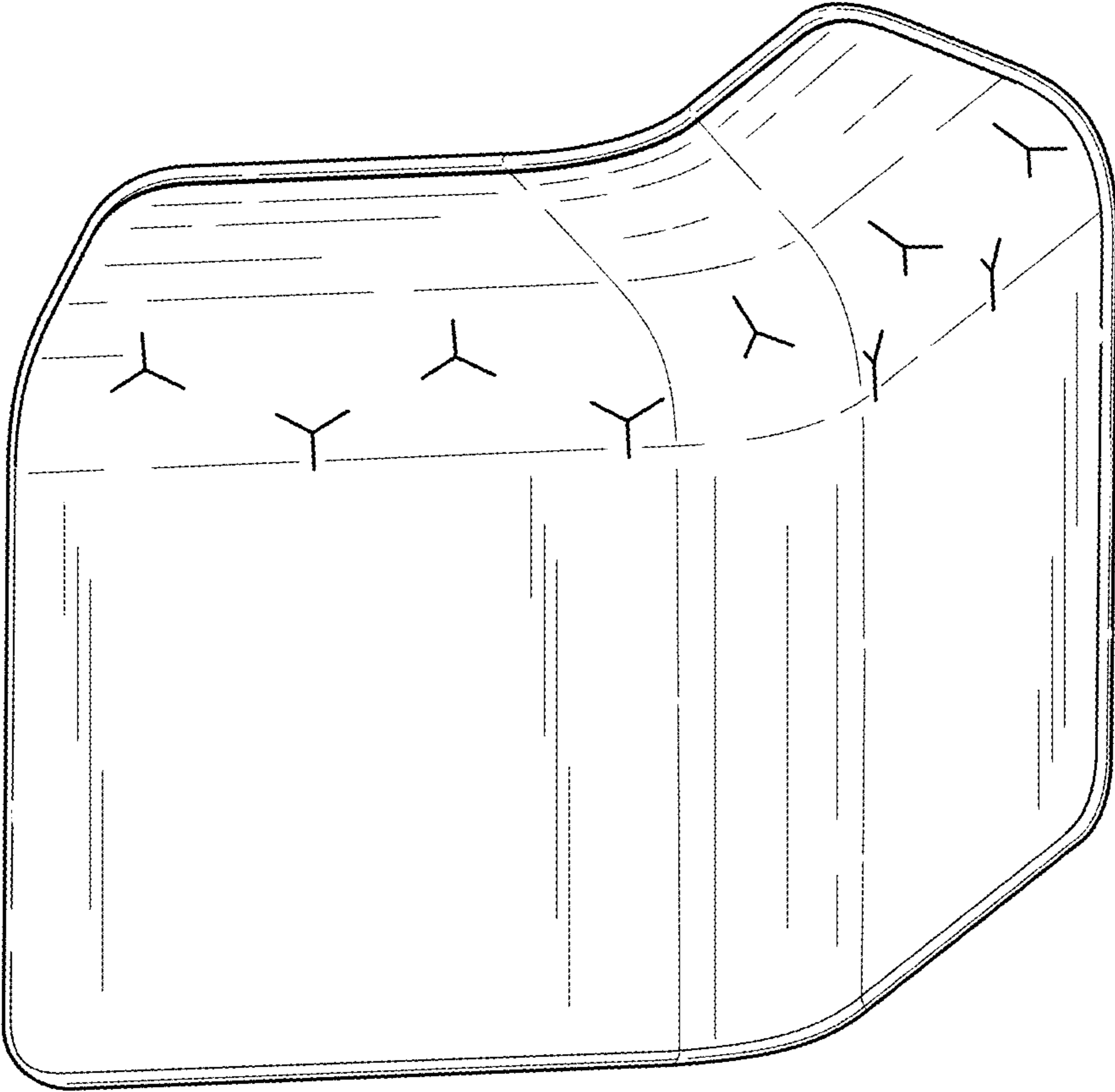


FIG. 9

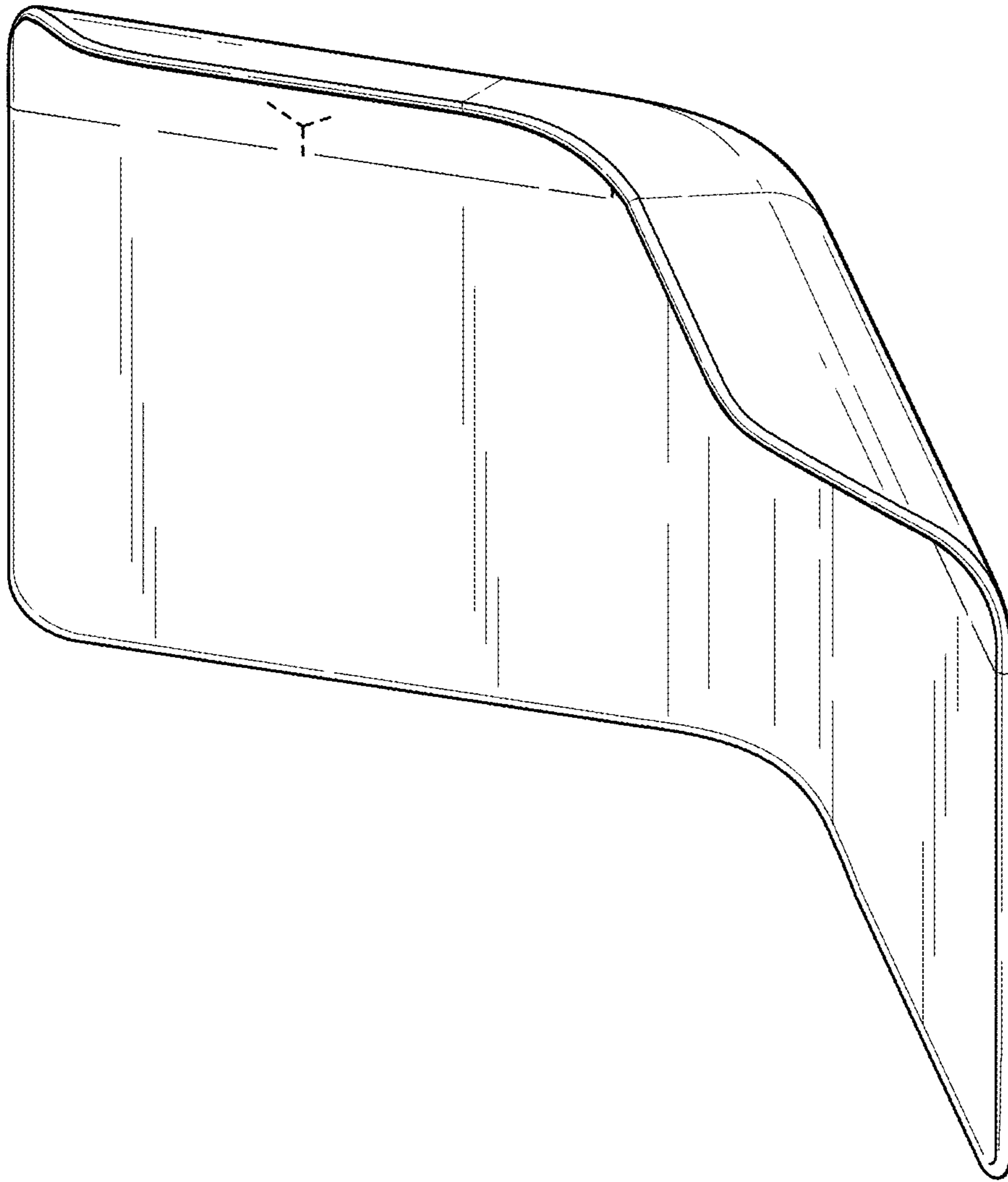


FIG. 10

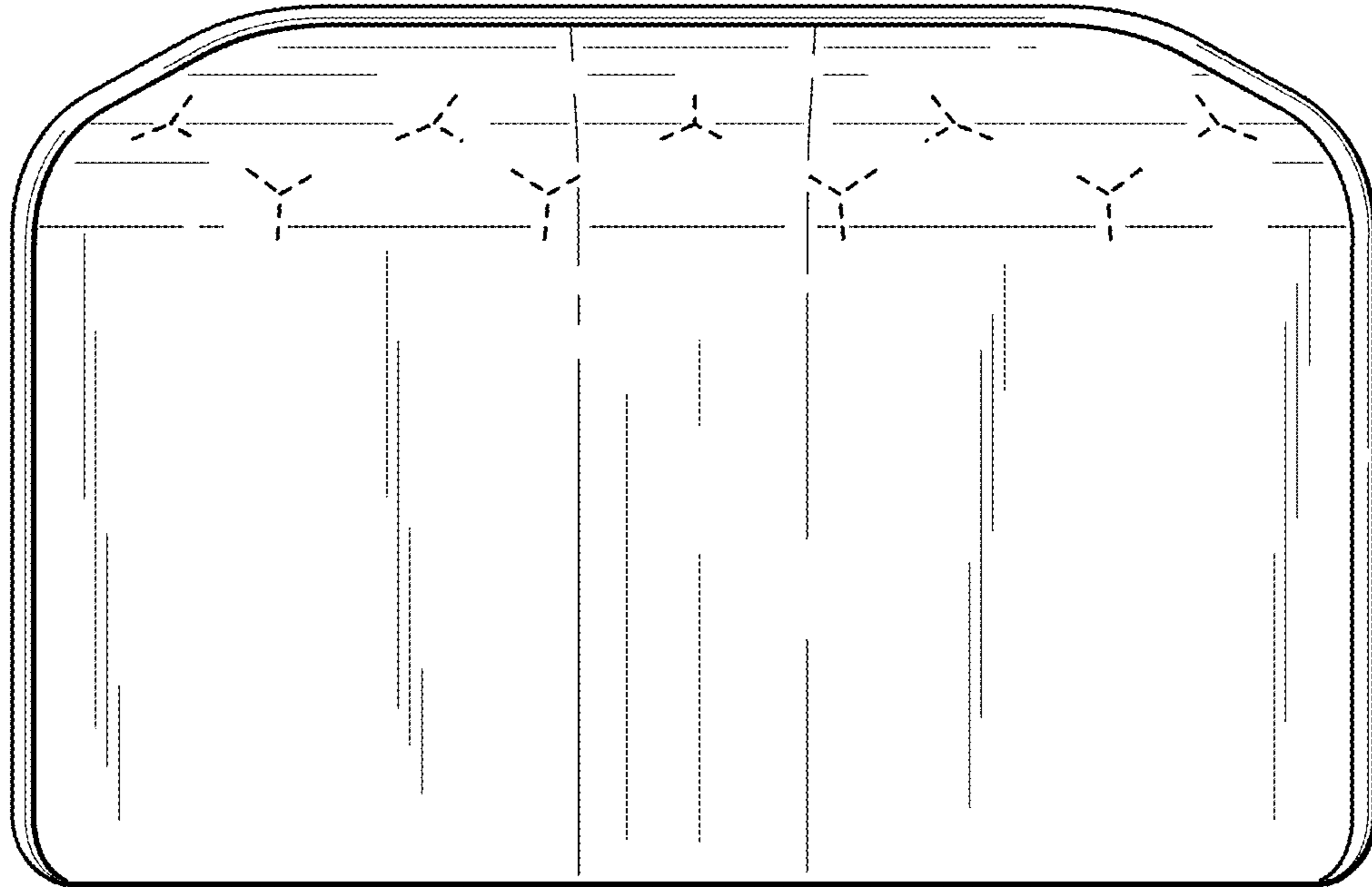


FIG. 11

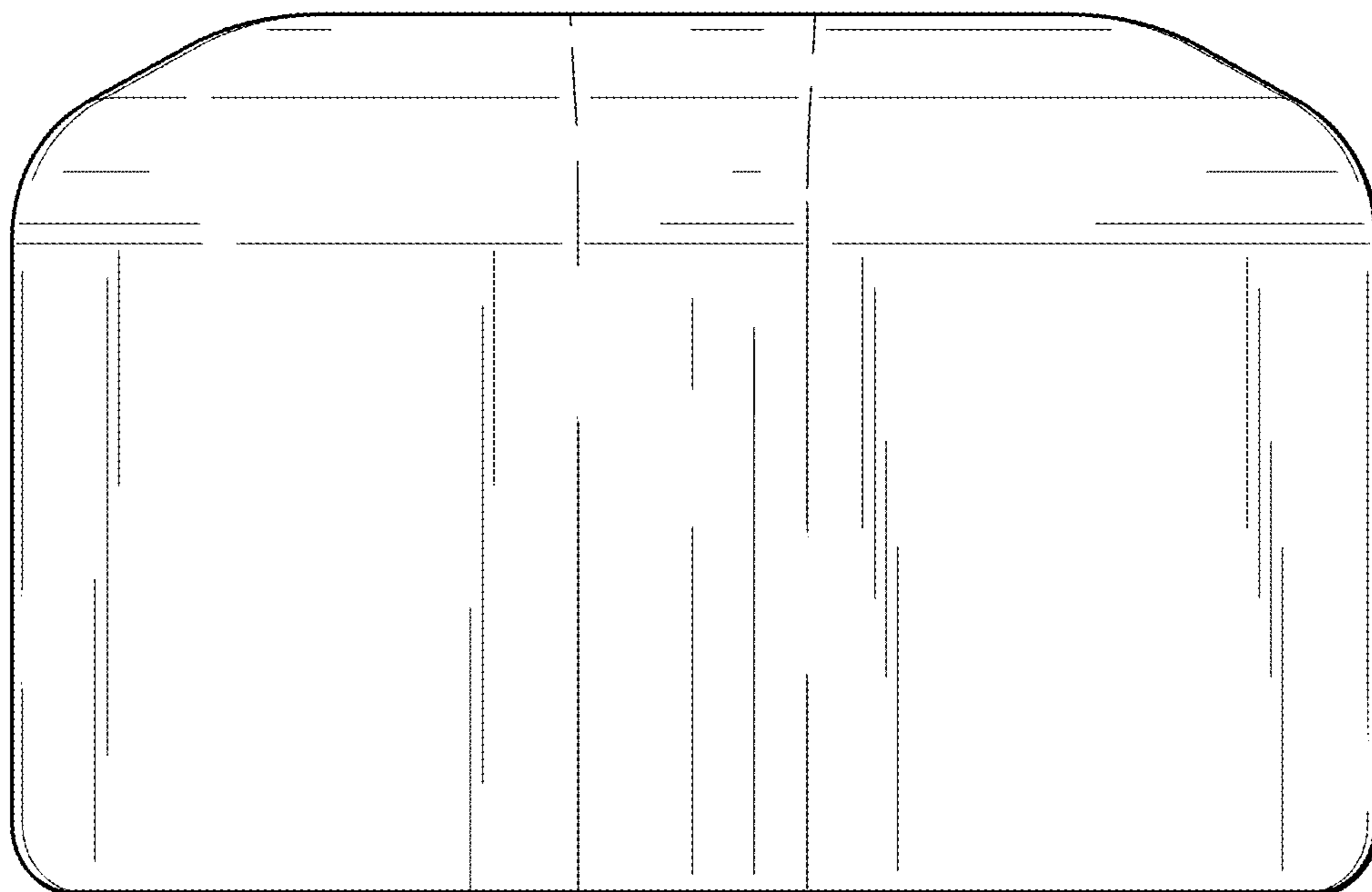


FIG. 12

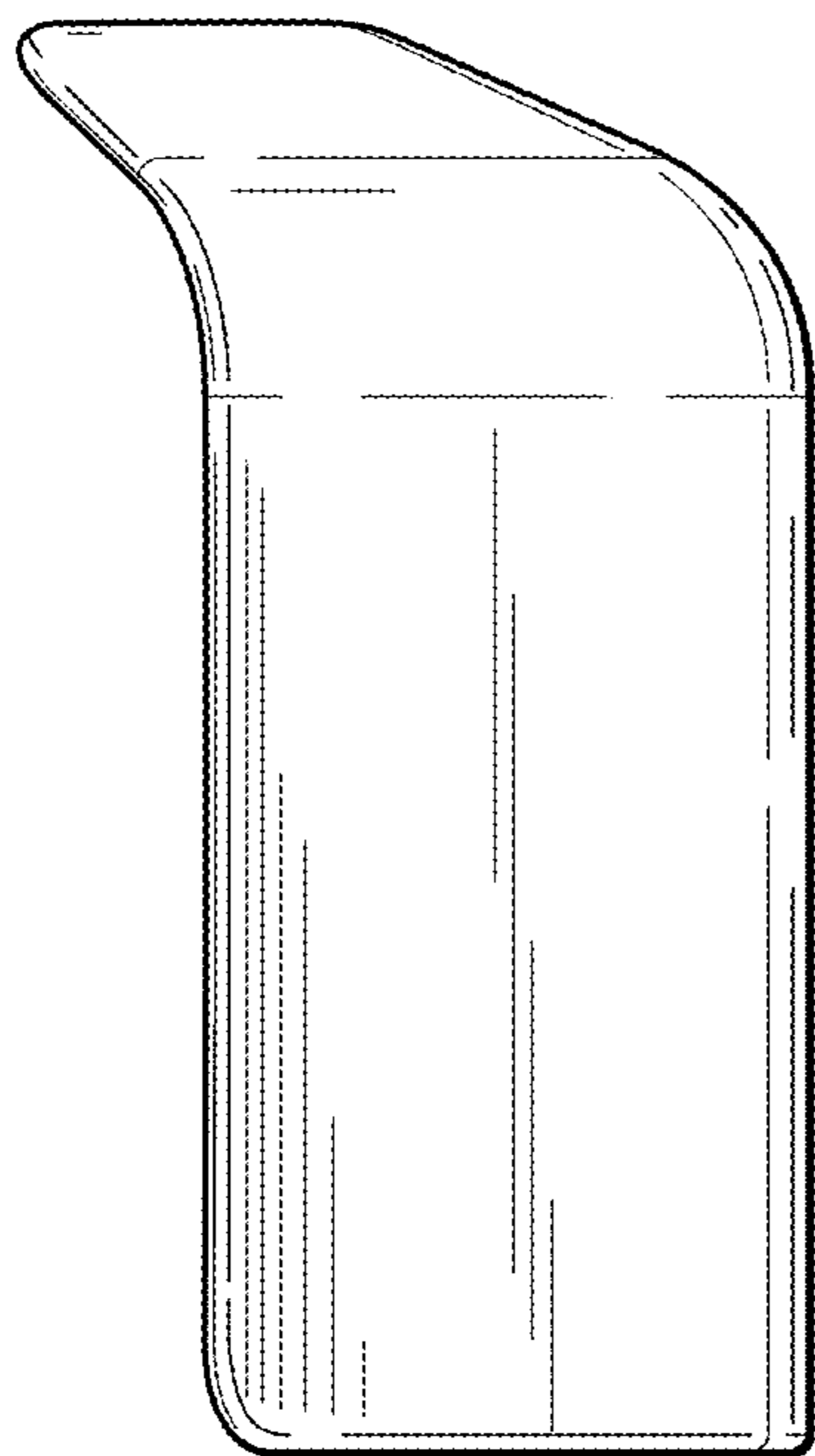


FIG. 13

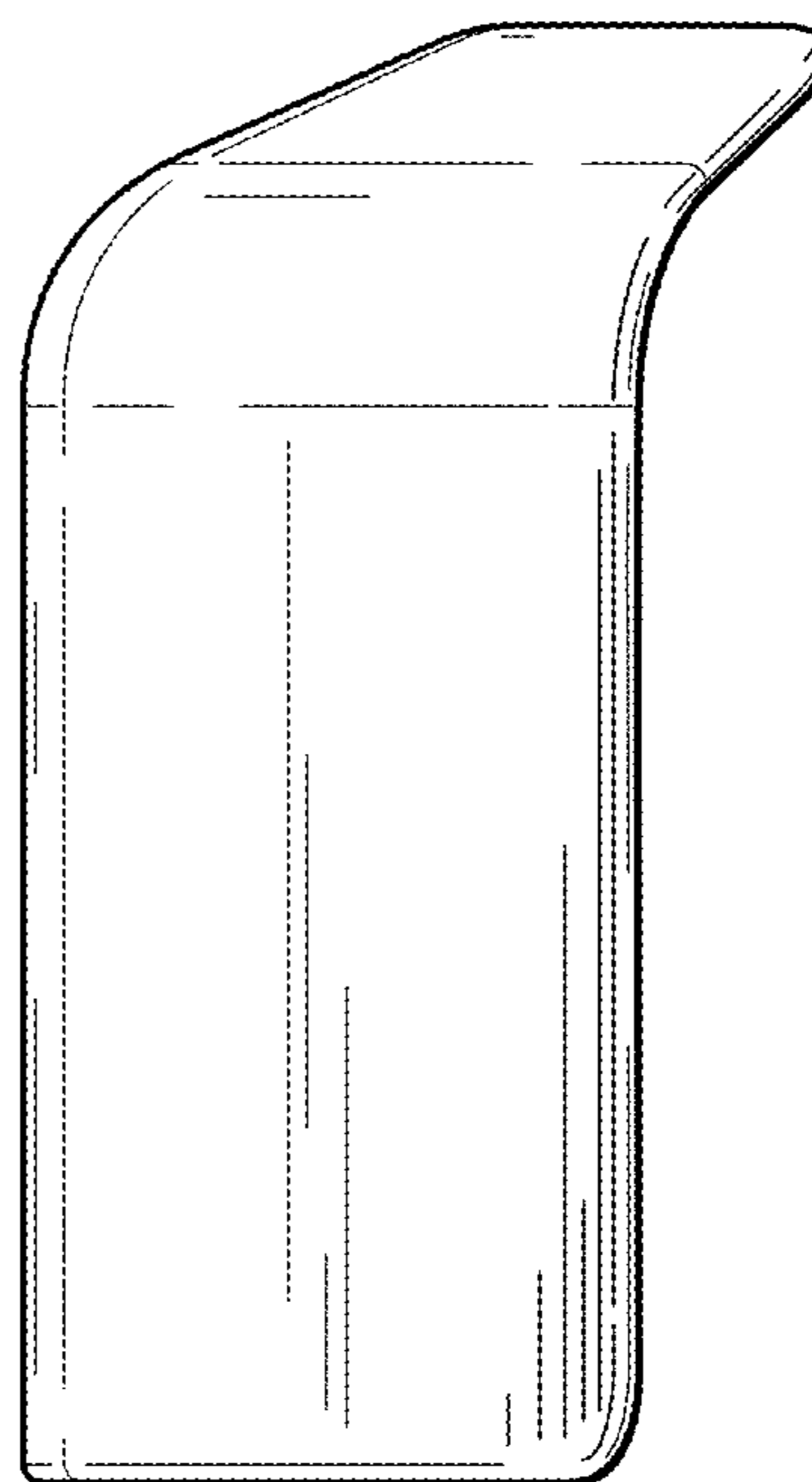


FIG. 14

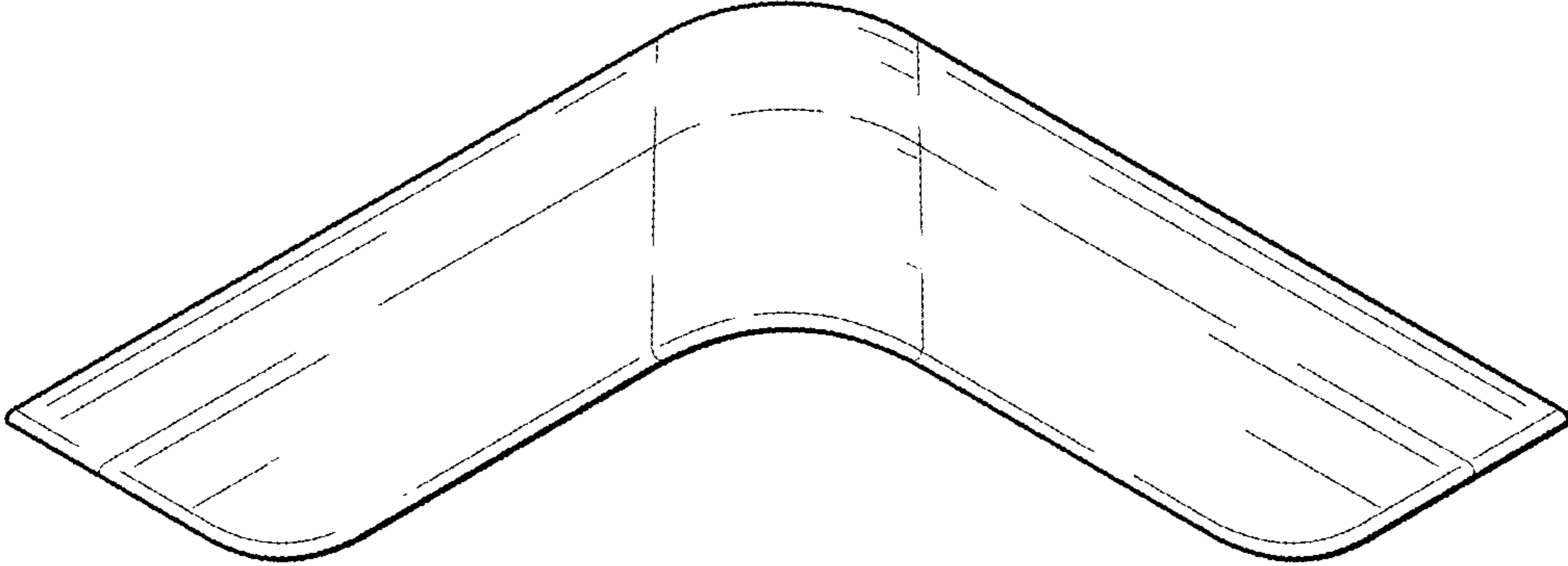


FIG. 15

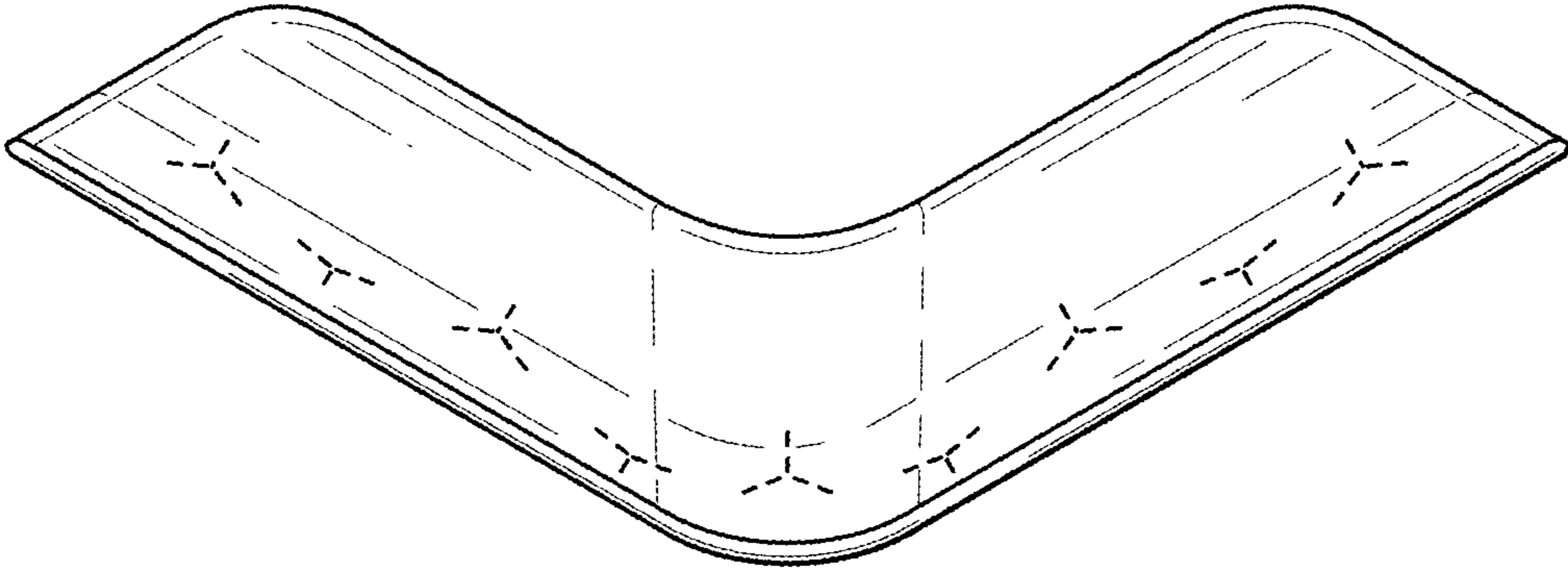


FIG. 16

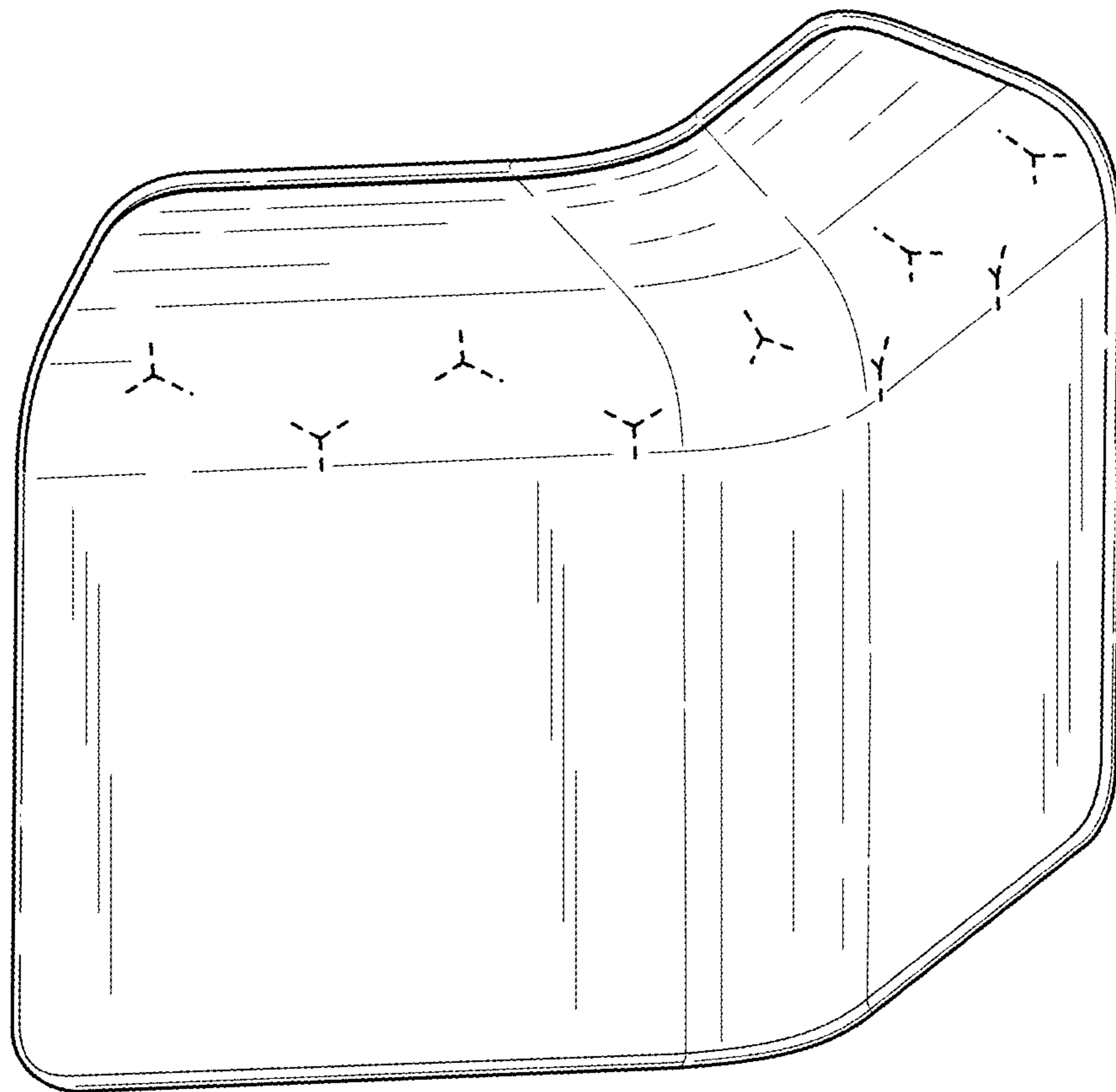


FIG. 17

