



US00D992285S

(12) **United States Design Patent** (10) **Patent No.:** **US D992,285 S**
Shahidi Bonjar (45) **Date of Patent:** **** Jul. 18, 2023**

(54) **TOOTHPASTE DISPENSING TRAVEL TOOTHBRUSH**

Aurette-COMINHKR028186-Toob-Toothbrush/dp/B005SRS8TK/ (Year: 2011).*

(71) Applicant: **Amir Hashem Shahidi Bonjar**, Tehran (IR)

(Continued)

(72) Inventor: **Amir Hashem Shahidi Bonjar**, Tehran (IR)

Primary Examiner — Alison M Ofstun
Assistant Examiner — Evin Franklin George Ershock
(74) *Attorney, Agent, or Firm* — Barry Choobin; Patent 360

(**) Term: **15 Years**

(21) Appl. No.: **29/764,313**

(57) **CLAIM**

(22) Filed: **Dec. 29, 2020**

The ornamental design for a toothpaste dispensing travel toothbrush, as shown and described.

(51) **LOC (14) Cl.** **04-02**

(52) **U.S. Cl.**
USPC **D4/108**

DESCRIPTION

(58) **Field of Classification Search**
USPC D4/104, 105, 108, 109, 114, 130, 132, D4/133, 134, 199; D24/176
CPC .. A45D 24/22; A46B 1/00; A46B 3/00; A46B 5/00; A46B 5/02; A46B 5/021; A46B 5/026; A46B 7/00; A46B 7/06; A46B 9/00; A46B 9/06; A46B 9/08; A46B 15/00; A46B 15/0048; A46B 15/0091; A46B 15/0095; A46B 17/065; A46B 2200/00; A46B 2200/10; A46B 2200/1066; A46B 2200/1073; A46B 2200/108; A46B

FIG. 1 is a top, right-side perspective view of a toothpaste dispensing travel toothbrush, showing my new design; FIG. 2 is a bottom, left-side perspective view thereof; FIG. 3 is a front-side view thereof; FIG. 4 is a rear-side view thereof; FIG. 5 is a right-side view thereof; FIG. 6 is a left-side view thereof; FIG. 7 is a bottom-side view thereof; FIG. 8 is a top-side view thereof; FIG. 9 is a cross-section view taken along line 9-9 shown in FIG. 8; FIG. 10 is a top, right side perspective view of the inner member of the toothpaste dispensing travel toothbrush, shown separately to show portions of the design not clearly visible when combined; FIG. 11 is a bottom, left-side perspective view thereof; FIG. 12 is a top, right side perspective view of the outer member of the toothpaste dispensing travel toothbrush, shown separately to show portions of the design not clearly visible when combined; FIG. 13 is a top, right-side perspective view thereof; and, FIG. 14 is an enlarged view of portion 14 shown in FIG. 9. The broken lines in the drawings show enlarged view indicators, and form no part of the claimed design.

(Continued)

(56) **References Cited**

U.S. PATENT DOCUMENTS

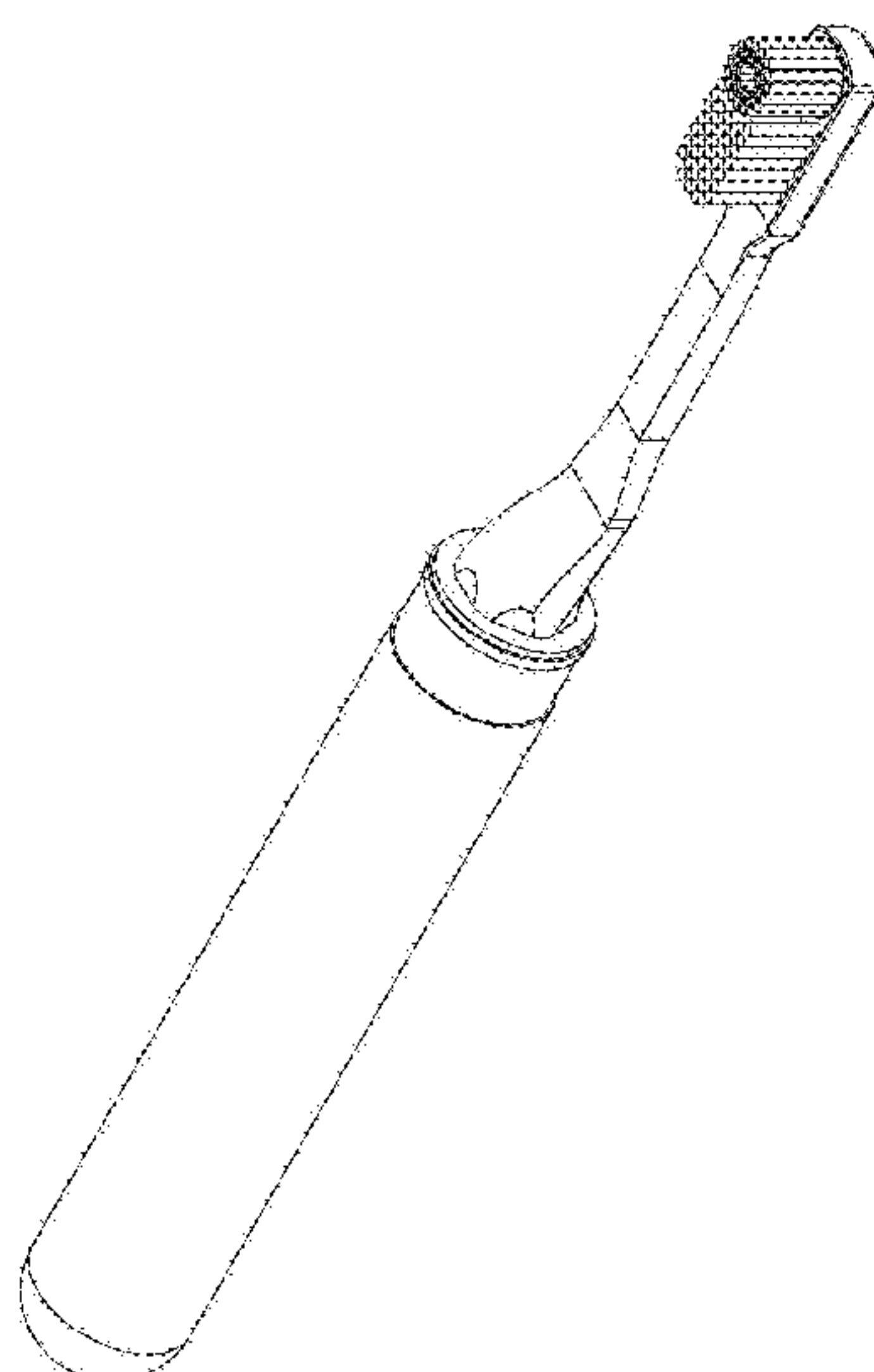
D378,957 S * 4/1997 Turner A61C 17/227 D4/108
D459,585 S * 7/2002 Moreno A46B 9/04 D4/114

(Continued)

OTHER PUBLICATIONS

Aurette Toob Toothbrush, posted Jan. 13, 2011 [online], [retrieved Oct. 25, 2022]. Retrieved from internet, <https://www.amazon.com/>

1 Claim, 8 Drawing Sheets



(58) **Field of Classification Search**
CPC 2200/1086; A47K 5/00; A47K 5/18; A61C
15/048; A61C 17/00
See application file for complete search history.

2012/0099919 A1* 4/2012 Desbrunes A46B 11/0027
401/270
2014/0369734 A1* 12/2014 Liao A46B 7/042
401/23
2022/0054242 A1* 2/2022 Arzegar A61C 17/227

(56) **References Cited**

U.S. PATENT DOCUMENTS

D516,317 S * 3/2006 Wong A46B 11/0027
D4/108
D627,566 S * 11/2010 Smith D4/108
11,064,800 B1 * 7/2021 Malpede A46B 9/04
2003/0150472 A1* 8/2003 Johnson A46B 11/0037
222/103
2004/0240928 A1* 12/2004 Trocino A46B 11/0027
401/172
2009/0297253 A1* 12/2009 Yuu A46B 11/0055
401/277
2011/0070016 A1* 3/2011 Richardson A46B 11/0079
401/282

OTHER PUBLICATIONS

Replacement Brush Heads Compatible with OralB Braun, posted
Jan. 7, 2020 [online], [retrieved Oct. 25, 2022]. Retrieved from
internet, <https://www.amazon.com/Replacement-Compatible-Electric-Toothbrush-Vitality/dp/B083KG2WS7/> (Year: 2020).*

5 in 1 Portable Travel Toothbrushes with Built-in Refillable Tooth-
paste Tube, posted Jun. 14, 2022 [online], [retrieved Oct. 25, 2022].
Retrieved from internet, <https://www.amazon.com/Toothbrushes-Refillable-Toothpaste-Toothbrush-Replaceable/dp/B0B42CPLL1/> (Year:
2022).*

* cited by examiner

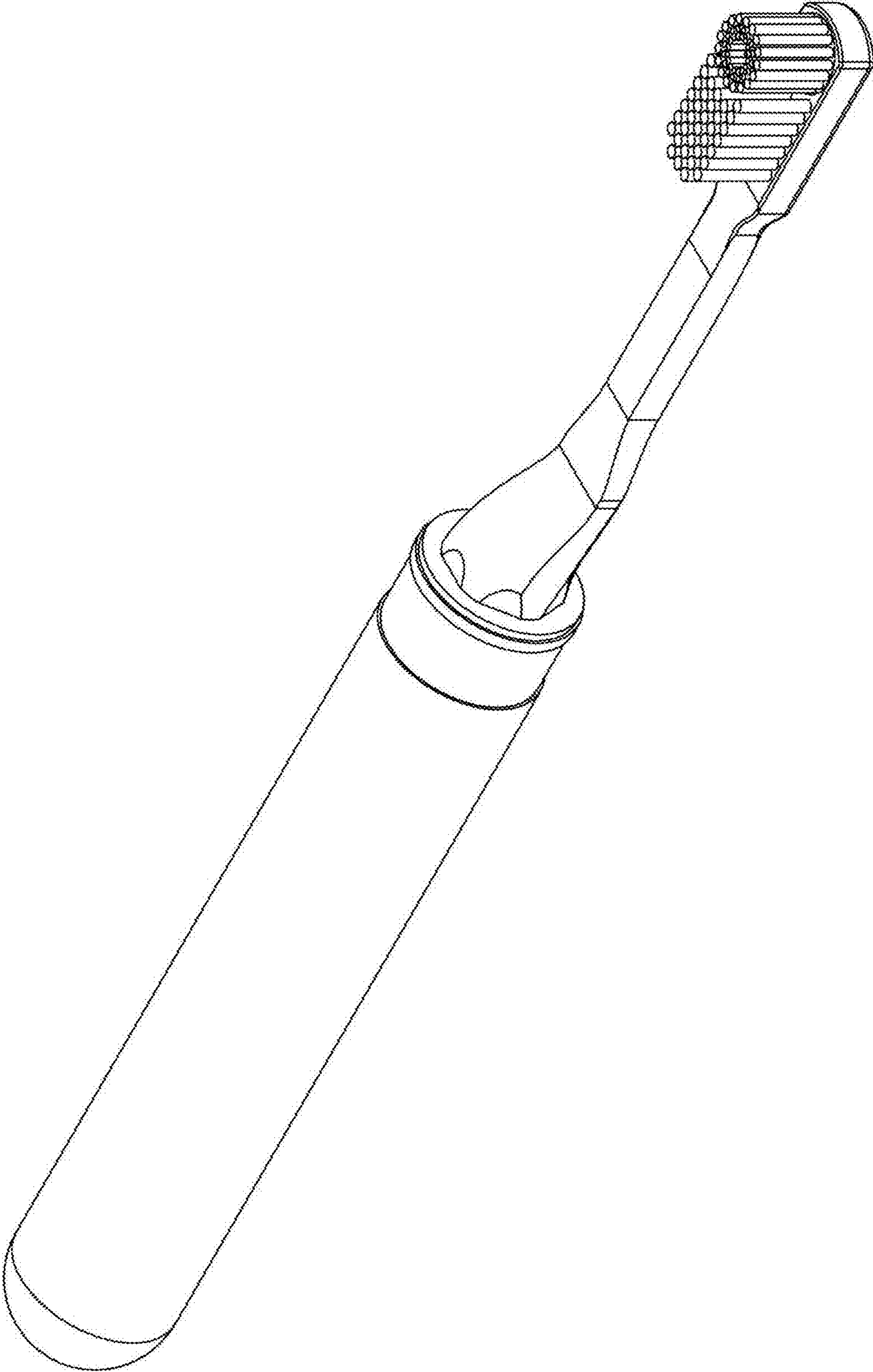


FIG. 1

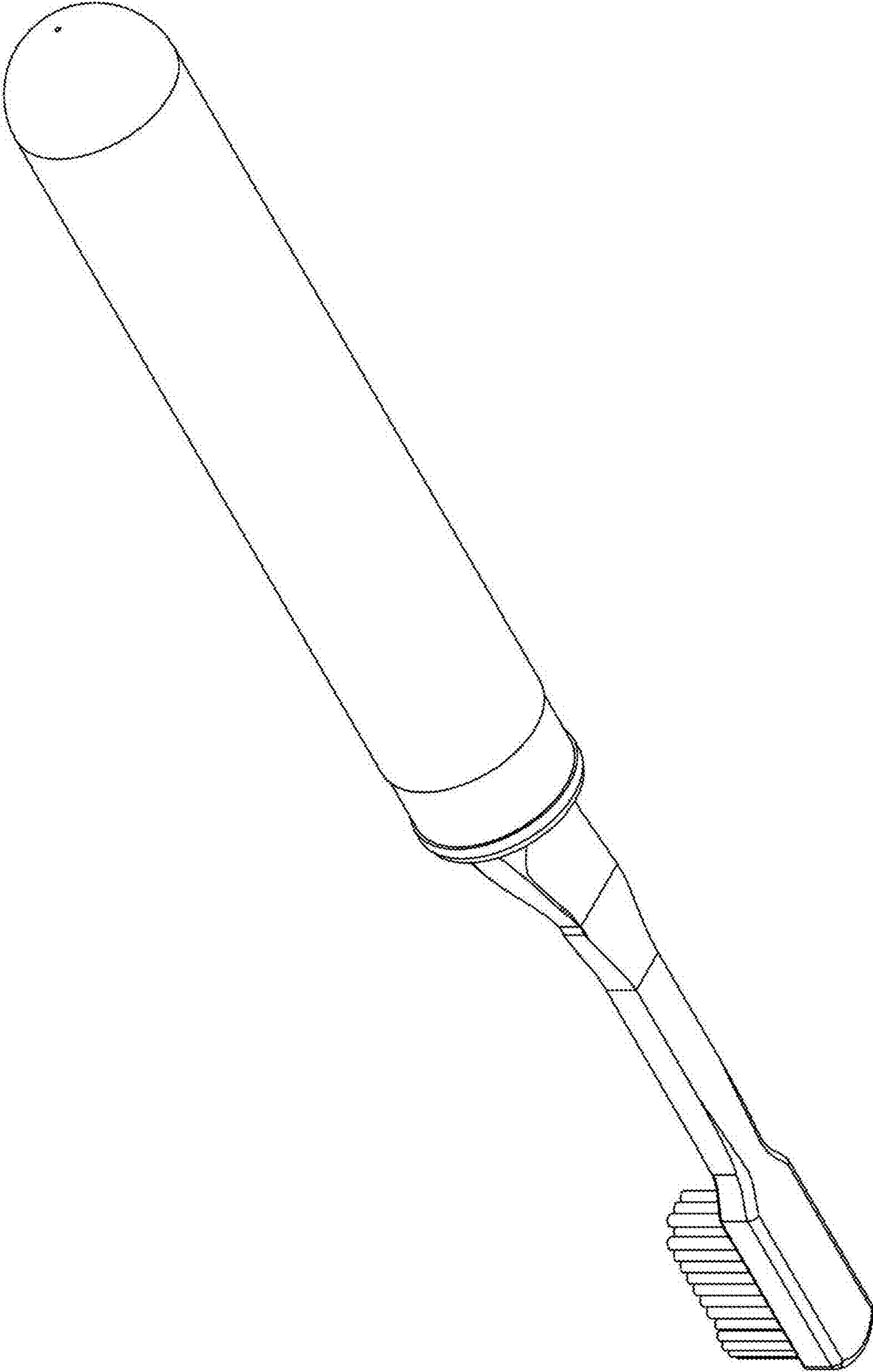


FIG. 2

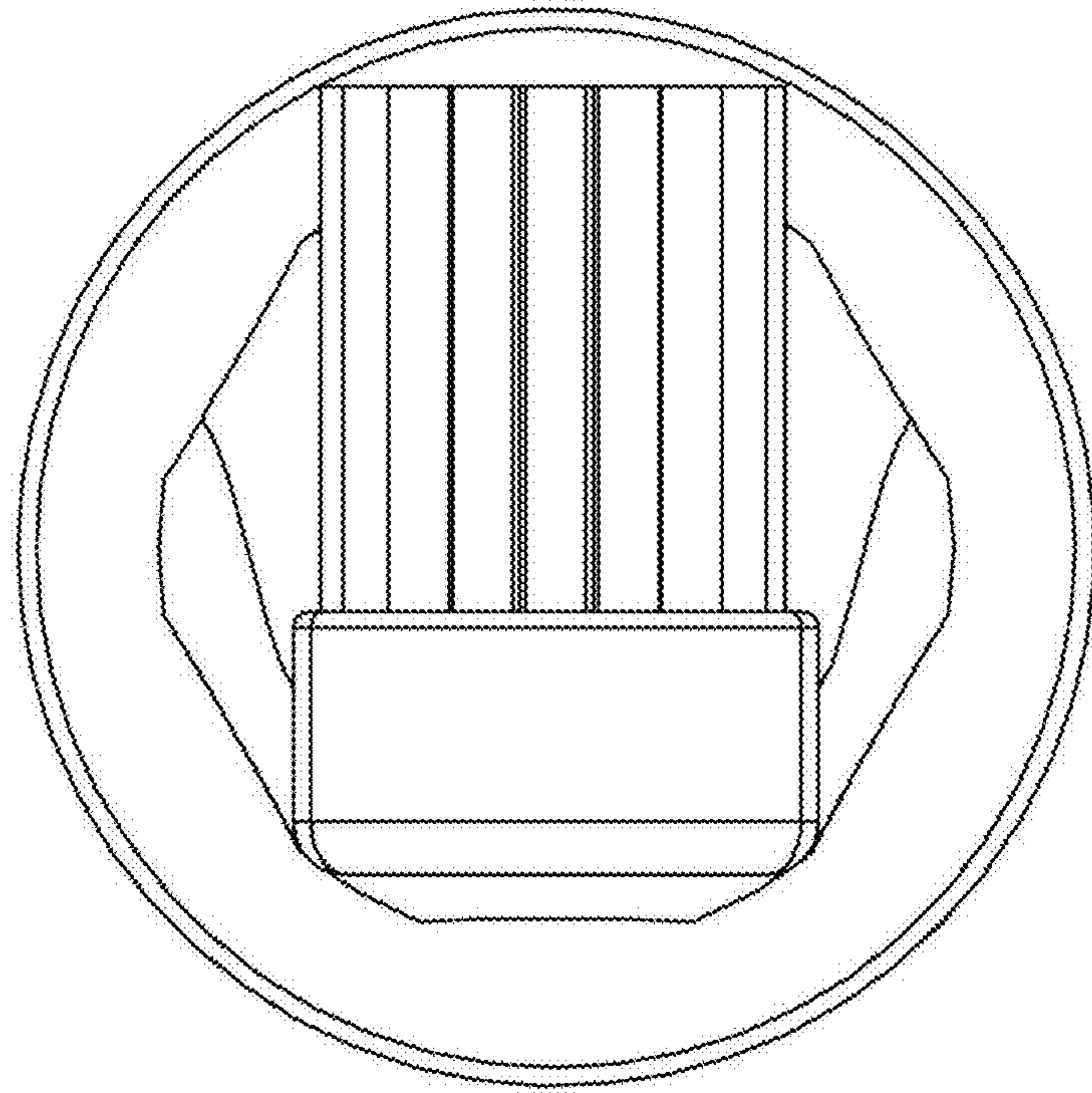


FIG. 3

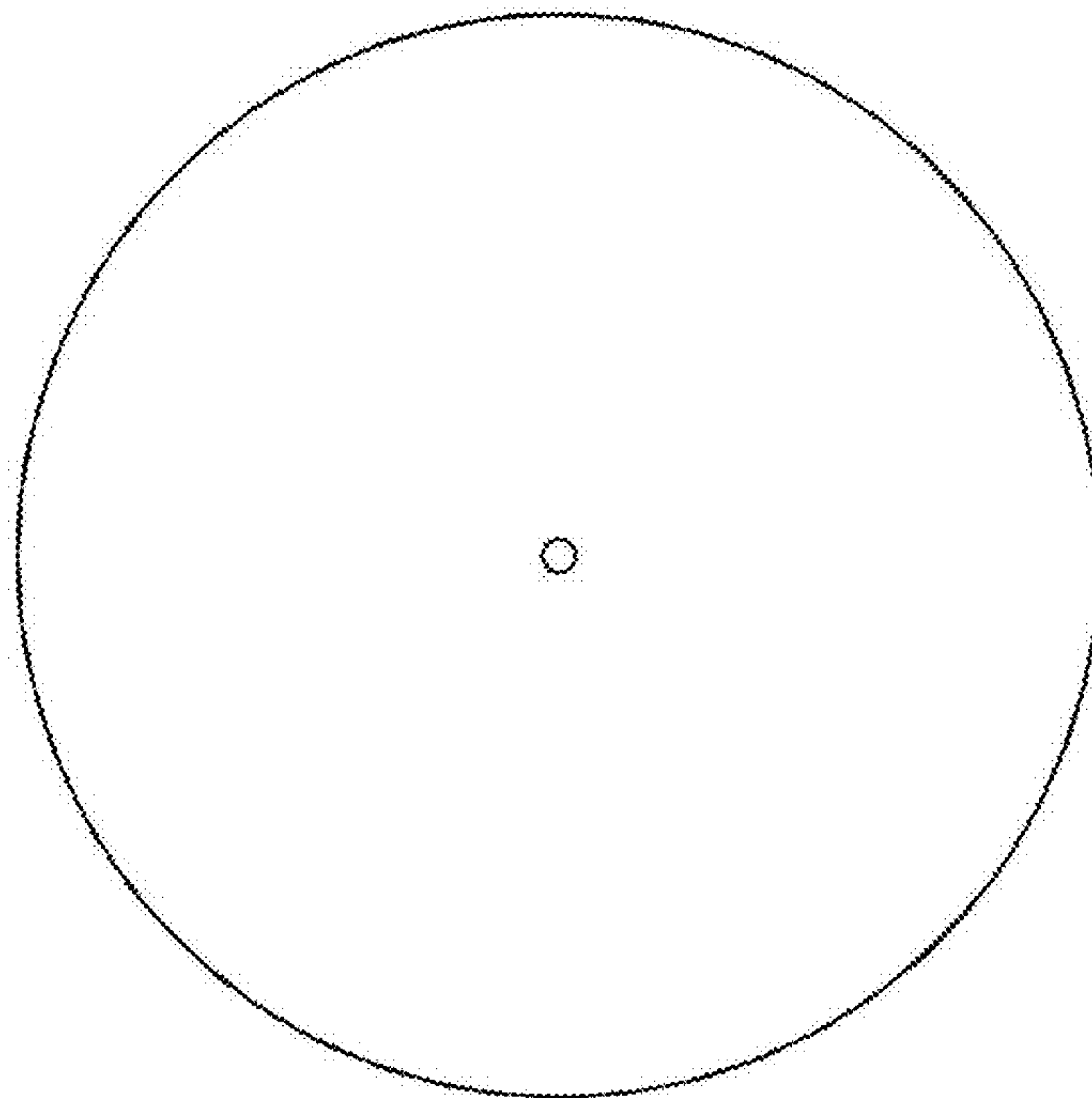


FIG. 4

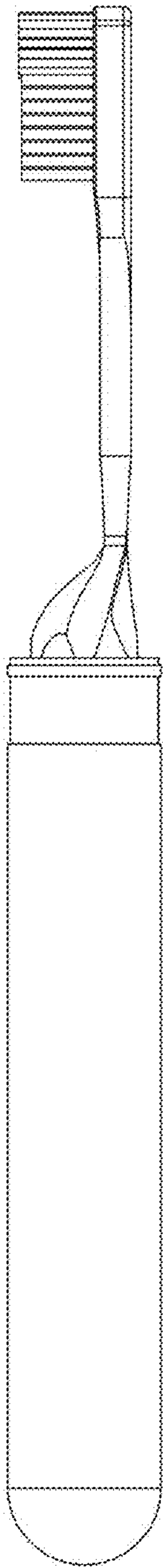


FIG. 5

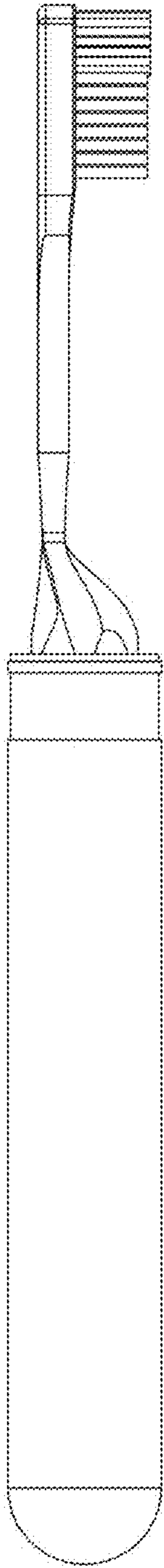


FIG. 6

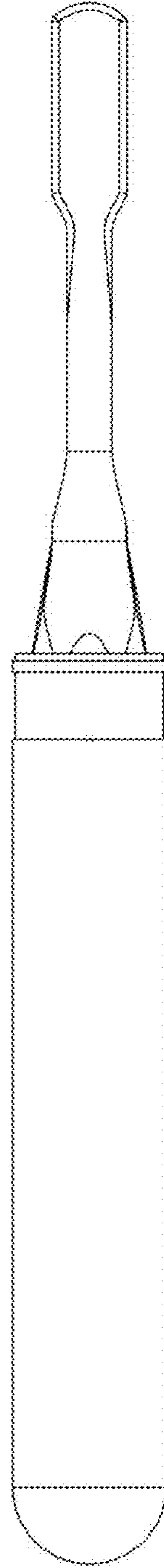


FIG. 7

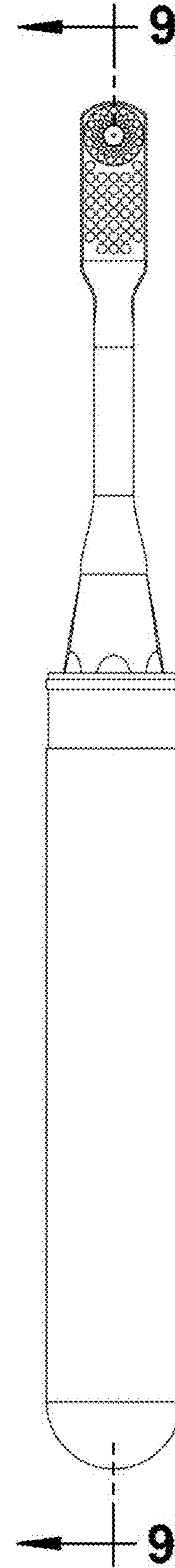


FIG. 8

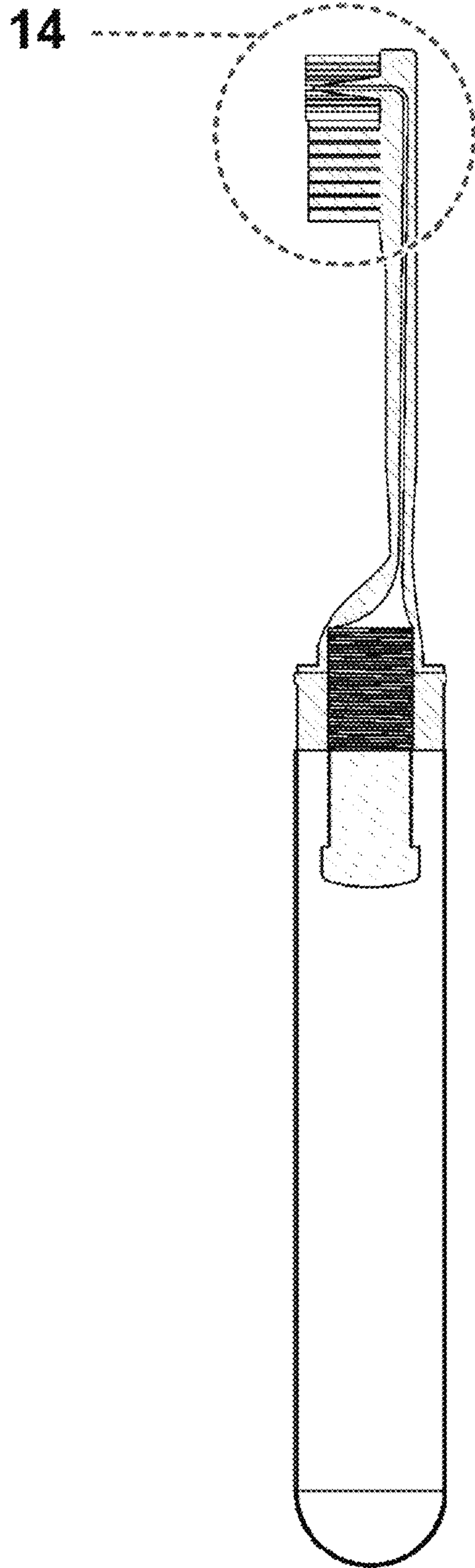


FIG. 9

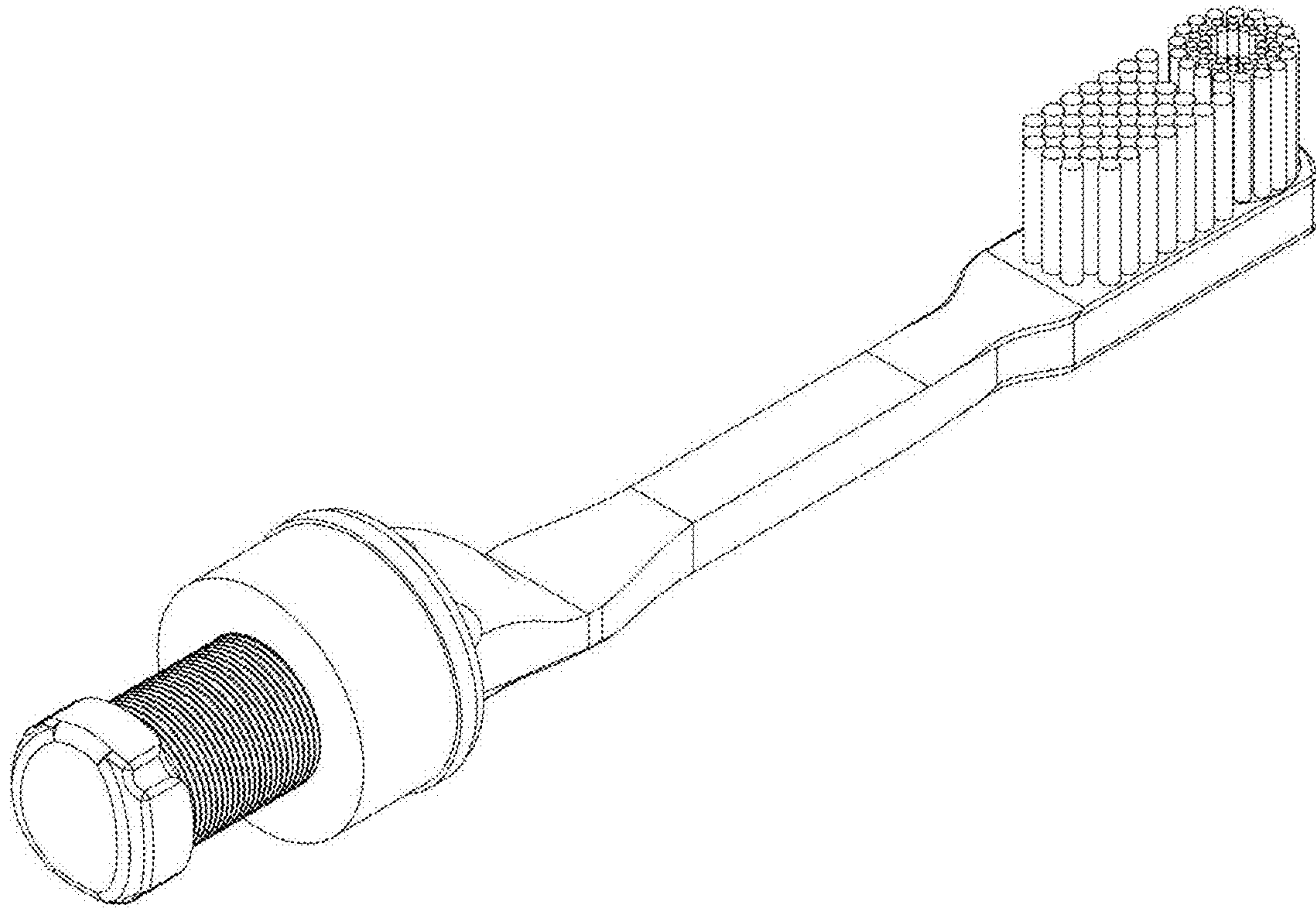


FIG. 10

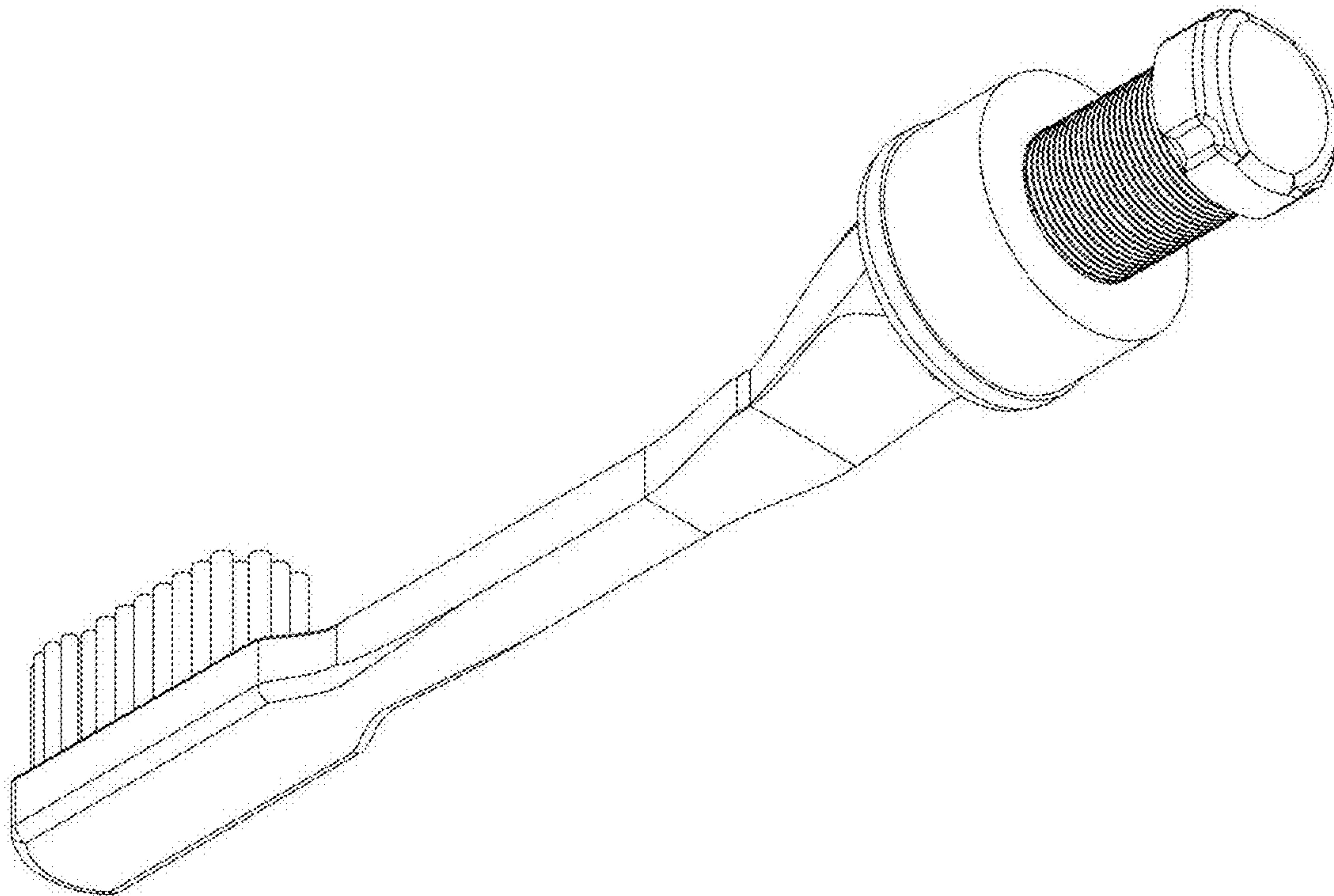


FIG. 11

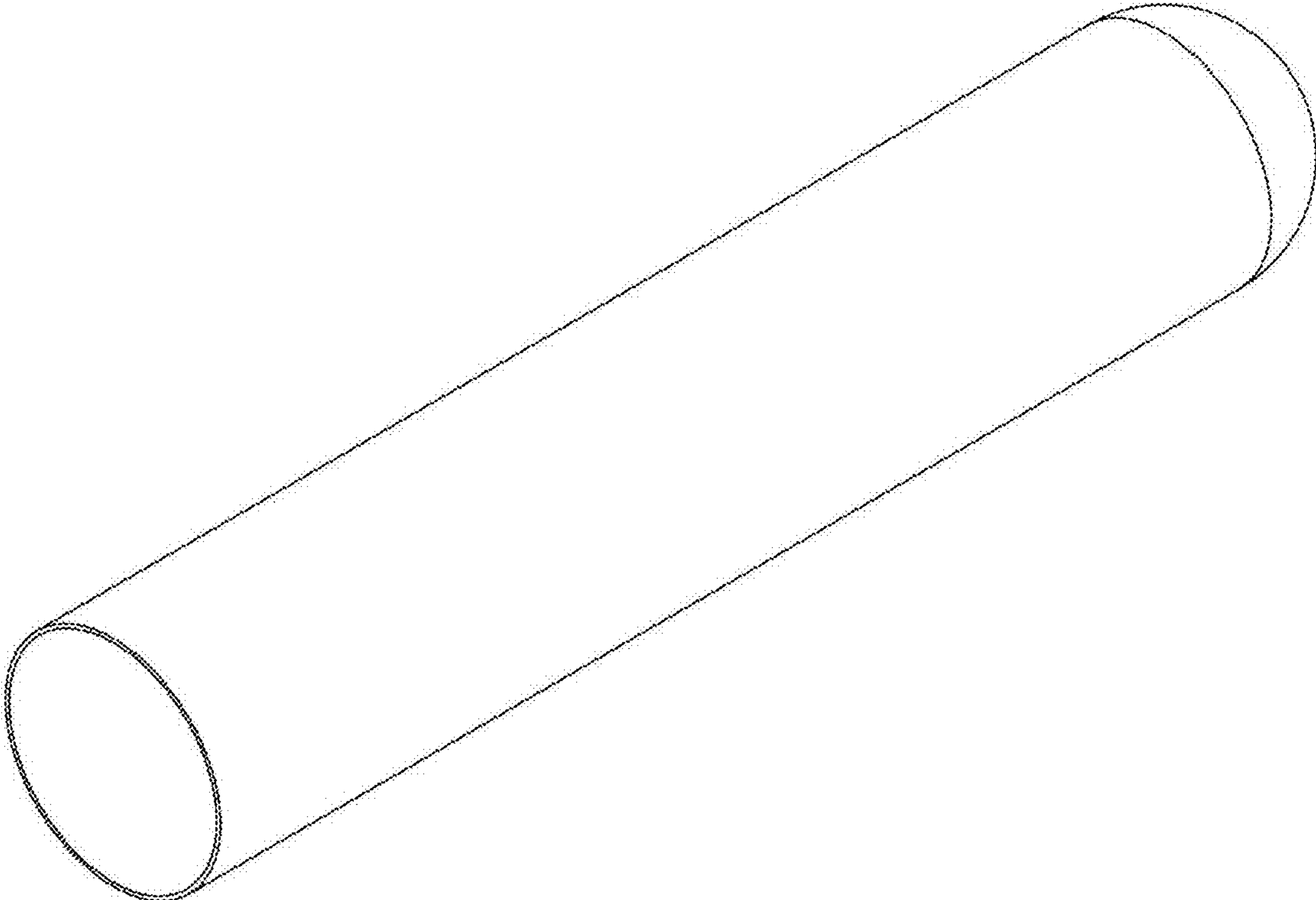


FIG. 12

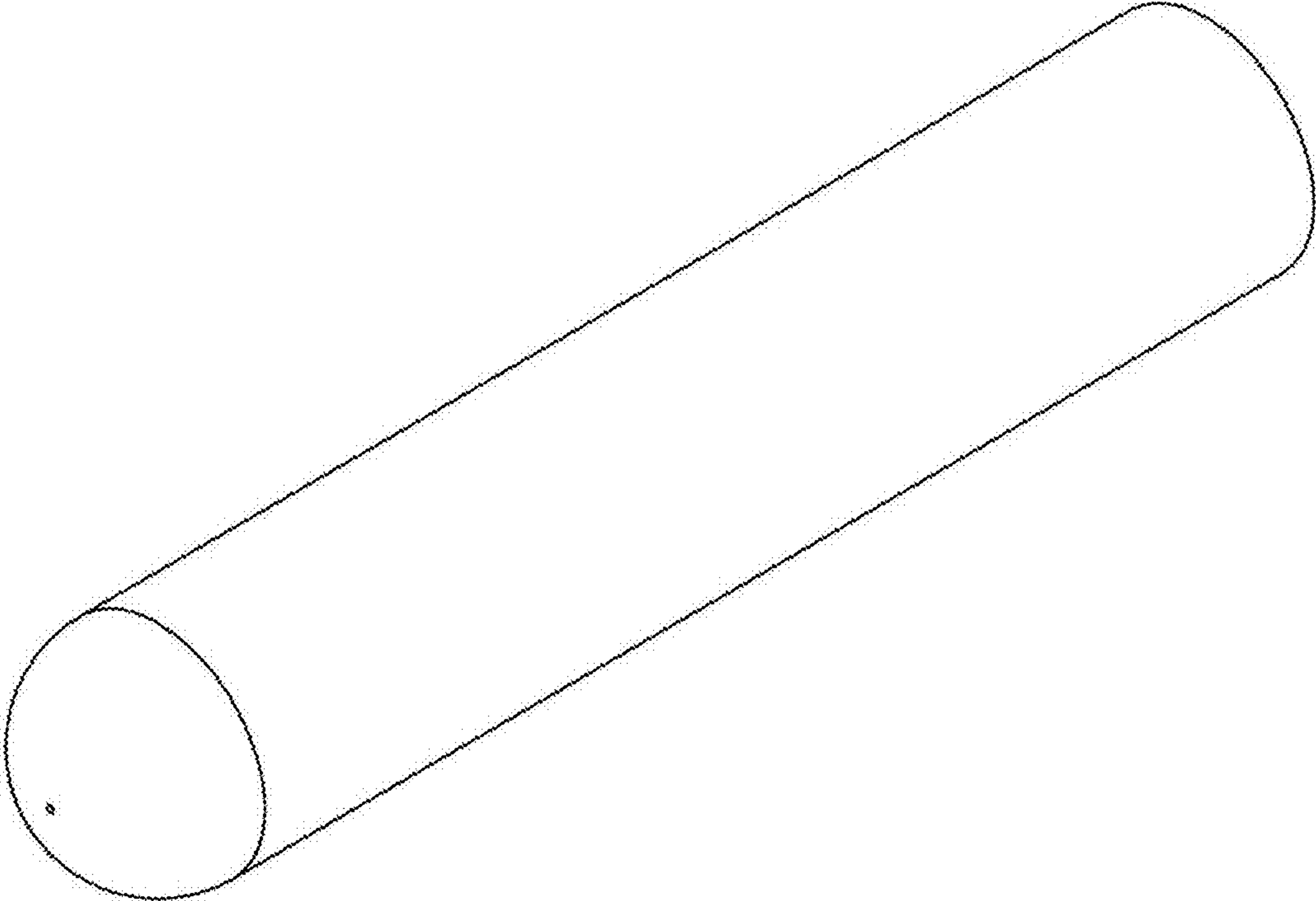


FIG. 13

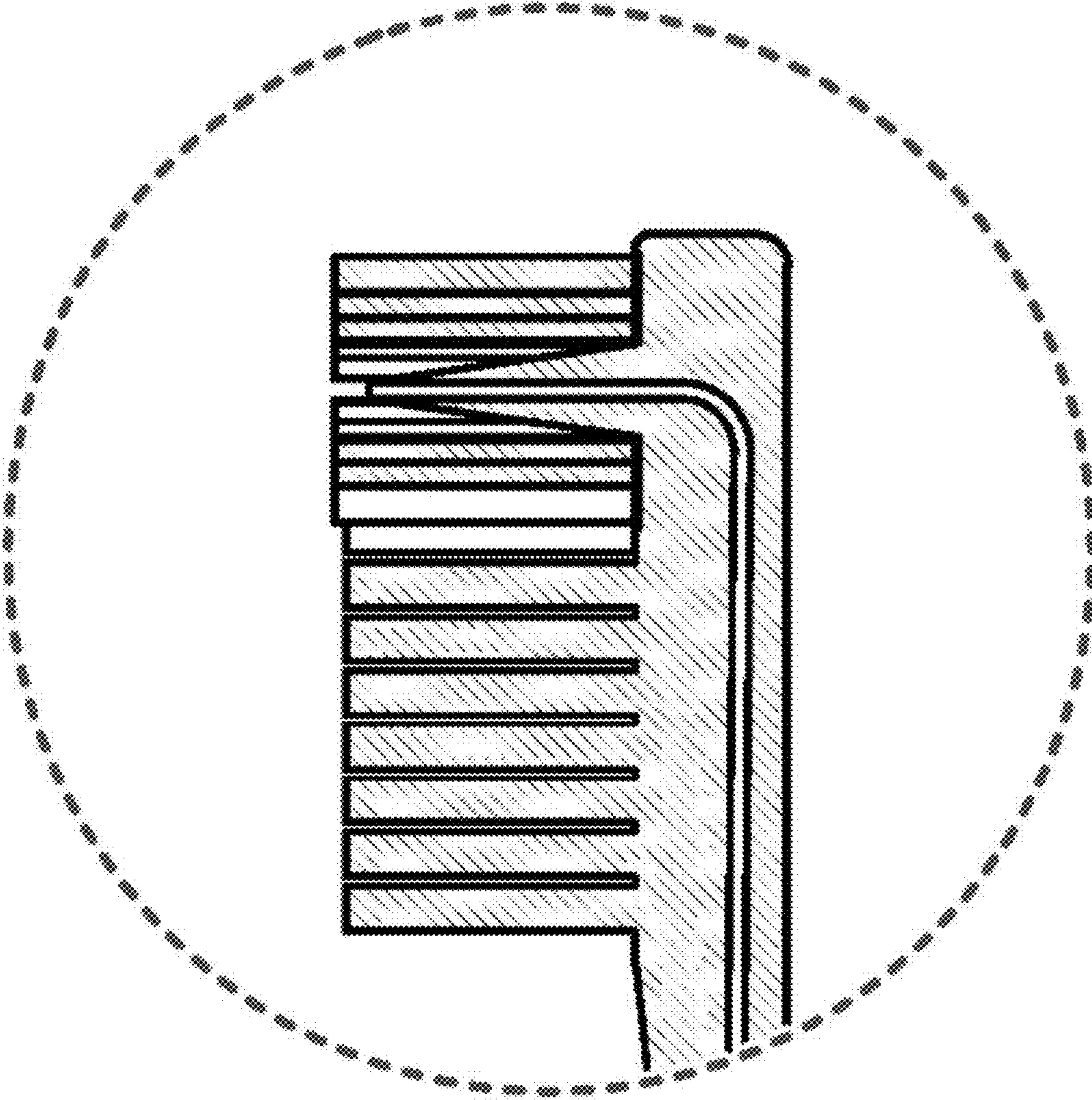


FIG. 14