



US00D992206S

(12) **United States Design Patent**
Hao

(10) **Patent No.:** **US D992,206 S**

(45) **Date of Patent:** **** Jul. 11, 2023**

- (54) **NAIL STATION**
- (71) Applicant: **Tiantian Hao**, Guangdong (CN)
- (72) Inventor: **Tiantian Hao**, Guangdong (CN)
- (**) Term: **15 Years**
- (21) Appl. No.: **29/863,580**
- (22) Filed: **Dec. 20, 2022**
- (51) **LOC (14) Cl.** **28-03**
- (52) **U.S. Cl.**
USPC **D28/61; D28/58**
- (58) **Field of Classification Search**
USPC D28/61, 58
CPC A45D 44/02; A45D 29/00; A45D 29/18;
A45D 29/20; A45D 29/22; A45D
2200/205; A47C 16/02; A47C 16/025
See application file for complete search history.

- 6,532,969 B2 * 3/2003 Nuzzo A45D 29/22
132/286
 - D487,533 S * 3/2004 Abbott A45D 29/22
D28/57
 - 6,832,688 B1 * 12/2004 Rivera A45D 29/20
132/288
 - D551,803 S * 9/2007 Durante D28/61
 - D697,672 S * 1/2014 Pheng D28/61
 - D734,545 S * 7/2015 Cantu D6/601
 - D747,828 S * 1/2016 Vu D28/54.1
 - D826,476 S 8/2018 Cozzolino et al.
 - D853,032 S 7/2019 Ouyang et al.
 - D857,992 S * 8/2019 Kim D28/58
 - 10,918,215 B1 * 2/2021 Berger A61G 7/0755
- (Continued)

FOREIGN PATENT DOCUMENTS

- CN 113425067 A * 9/2021
- KR 20220131117 A * 9/2022

Primary Examiner — Jennifer Rivard

(56) **References Cited**

U.S. PATENT DOCUMENTS

- 3,126,022 A * 3/1964 Thompson A45D 29/20
392/431
- D259,066 S * 4/1981 Wistrand D28/61
- 4,294,268 A * 10/1981 Kitrell A45D 29/22
132/73
- 4,359,060 A * 11/1982 Walker A45D 29/20
132/75
- D273,810 S * 5/1984 Zinbarg D28/61
- D286,211 S * 10/1986 Zinbarg D28/61
- D367,948 S * 3/1996 Hsu D28/61
- 5,501,682 A * 3/1996 Edwards-Cofie A61H 23/02
601/16
- D372,558 S * 8/1996 Schonhorn D28/61
- D373,445 S * 9/1996 Wright-Godley D28/61
- D408,470 S * 4/1999 Rosen D28/61
- D433,772 S * 11/2000 Capoano D28/61
- D442,742 S 5/2001 Suen
- D451,247 S 11/2001 Khalaj
- 6,325,069 B1 * 12/2001 Heims A45D 29/22
132/73

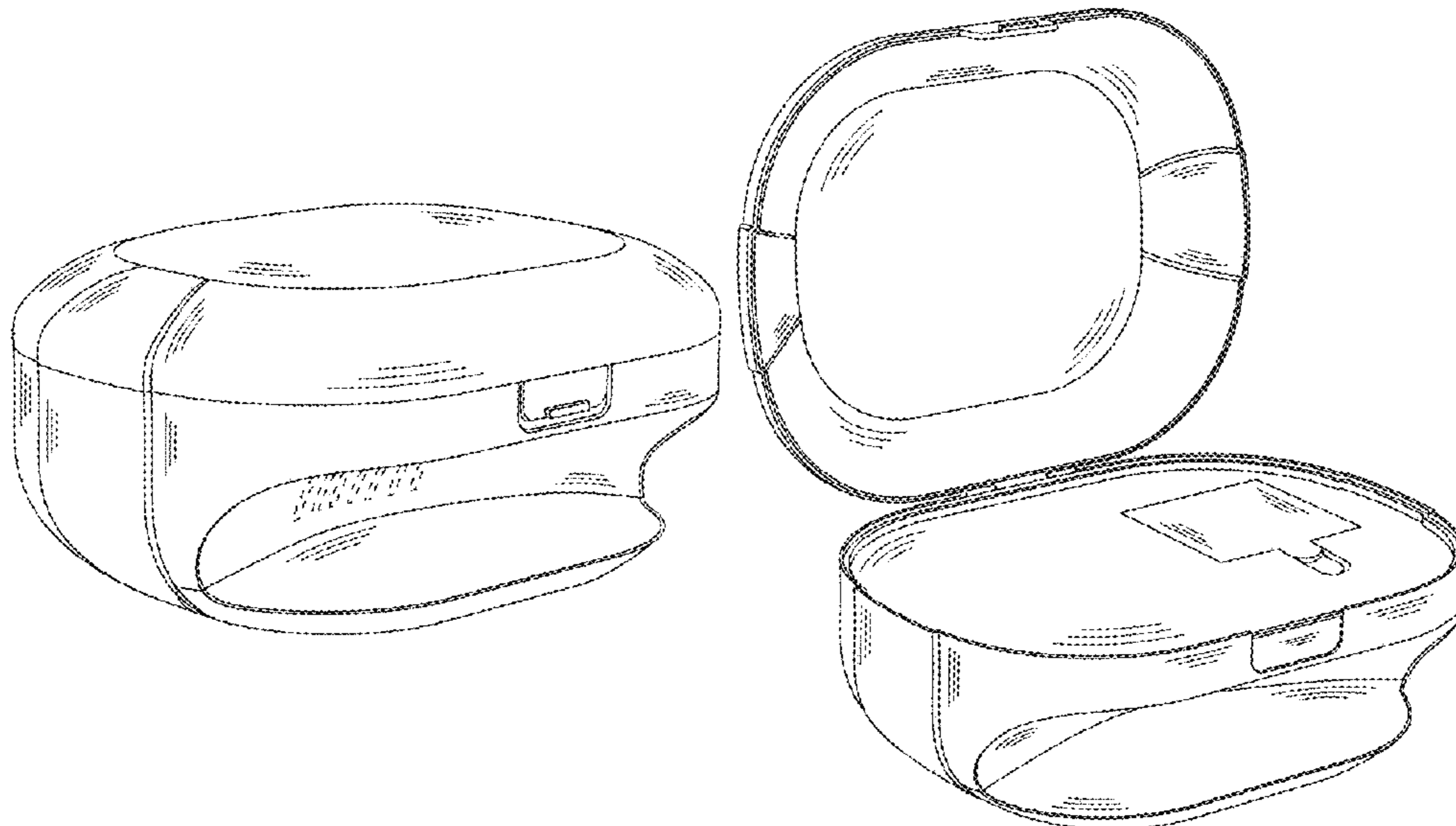
(57) **CLAIM**

The ornamental design for a nail station, as shown and described.

DESCRIPTION

FIG. 1 is a front, top and left perspective view of a nail station design showing my new design.
 FIG. 2 is a front view of a nail station.
 FIG. 3 is a rear view of a nail station.
 FIG. 4 is a left side view of a nail station.
 FIG. 5 is a right side view of a nail station.
 FIG. 6 is a top view of a nail station.
 FIG. 7 is a bottom view of a nail station; and,
 FIG. 8 is a front, top and left perspective view of a nail station, shown in an open configuration.
 In the drawings, the broken lines illustrate portions of the article which form no part of the claimed design.

1 Claim, 8 Drawing Sheets



(56)

References Cited

U.S. PATENT DOCUMENTS

D932,702 S * 10/2021 Chang D28/58
D933,895 S 10/2021 Liu
D947,458 S * 3/2022 Zhang D28/58
D948,794 S * 4/2022 Ye D28/54.1
D951,545 S * 5/2022 Dong D28/54.1
D958,459 S * 7/2022 Dong D28/54.1
D968,710 S * 11/2022 Liu D28/58
D970,120 S 11/2022 Mao
2009/0260647 A1 * 10/2009 Ionis A45D 29/18
132/73.5
2018/0235342 A1 * 8/2018 Wesley A47B 5/04
2019/0200722 A1 * 7/2019 Solitt A45D 29/22
2020/0077764 A1 * 3/2020 Peat B44C 1/16
2021/0161272 A1 * 6/2021 Hsieh A61B 5/0205
2021/0227949 A1 * 7/2021 Kumar A45D 29/023

* cited by examiner

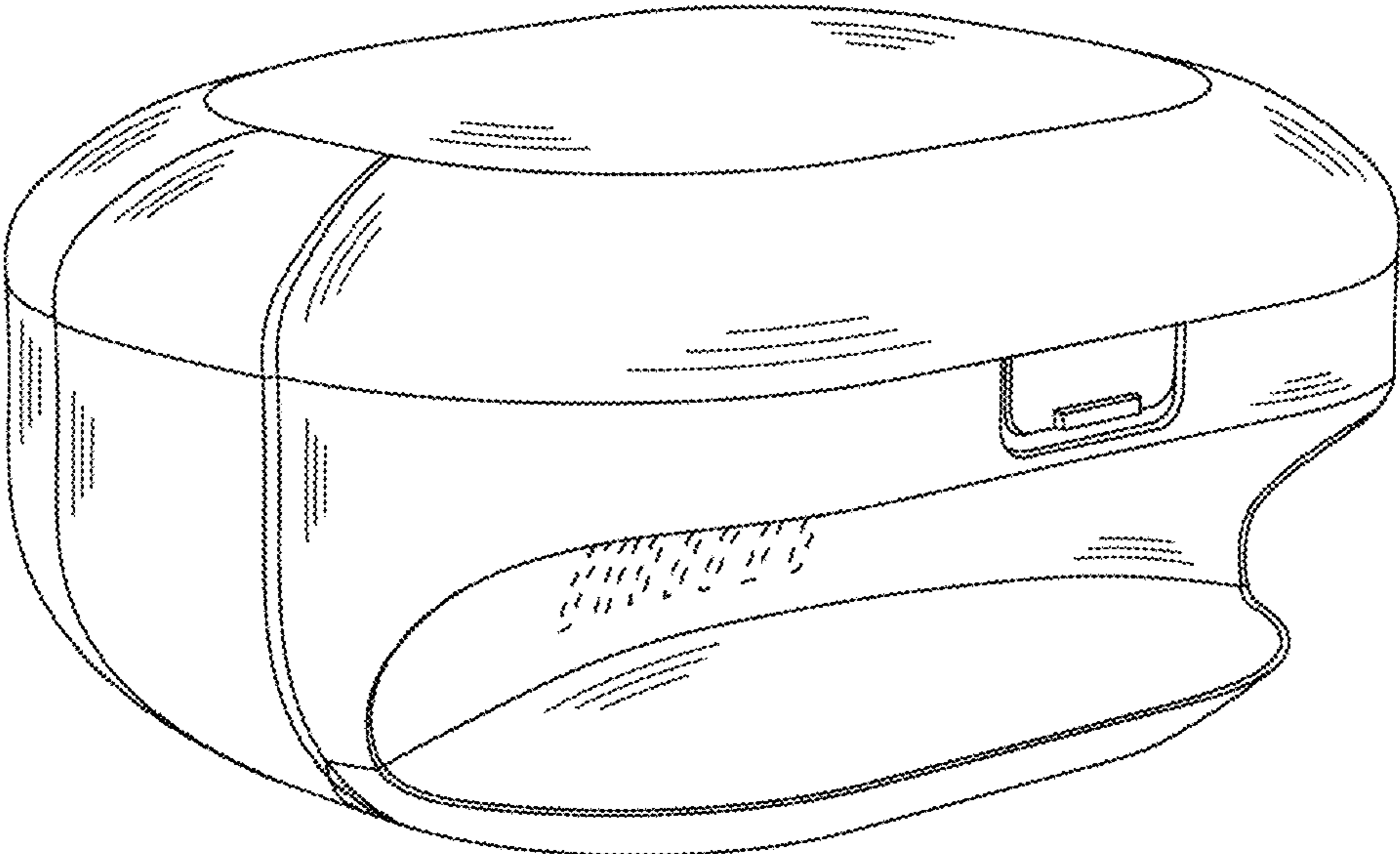


FIG. 1

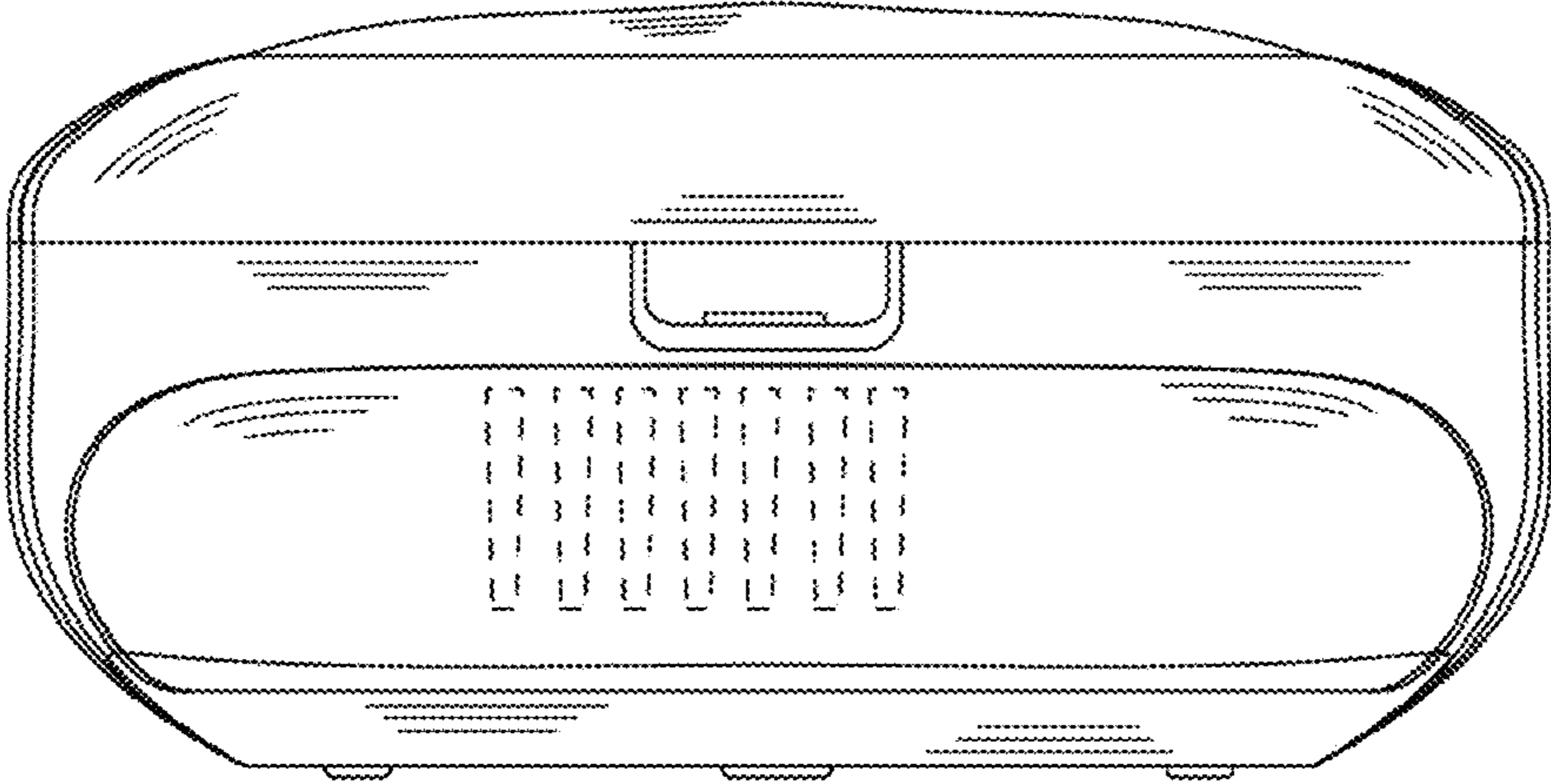


FIG.2

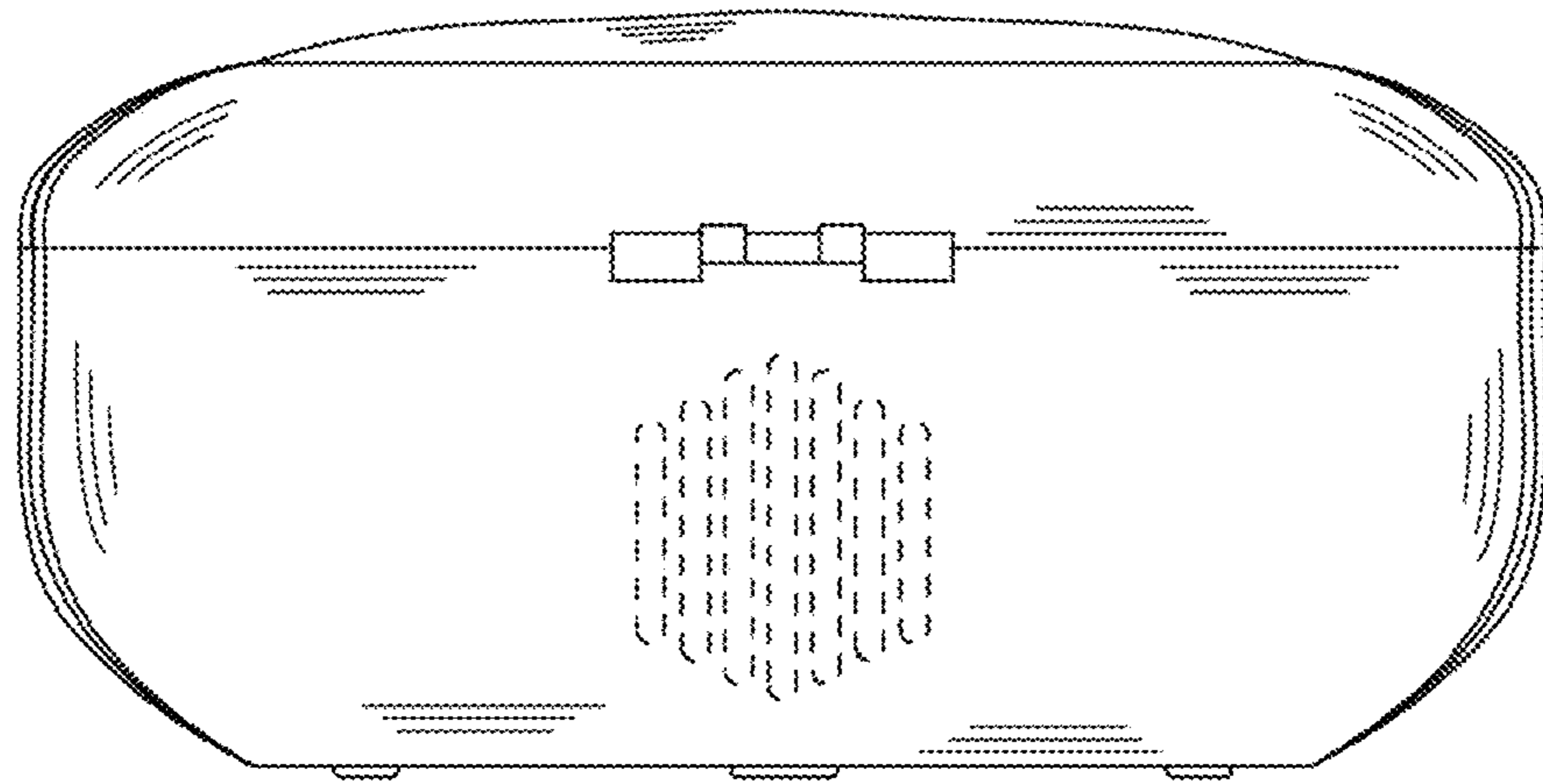


FIG.3

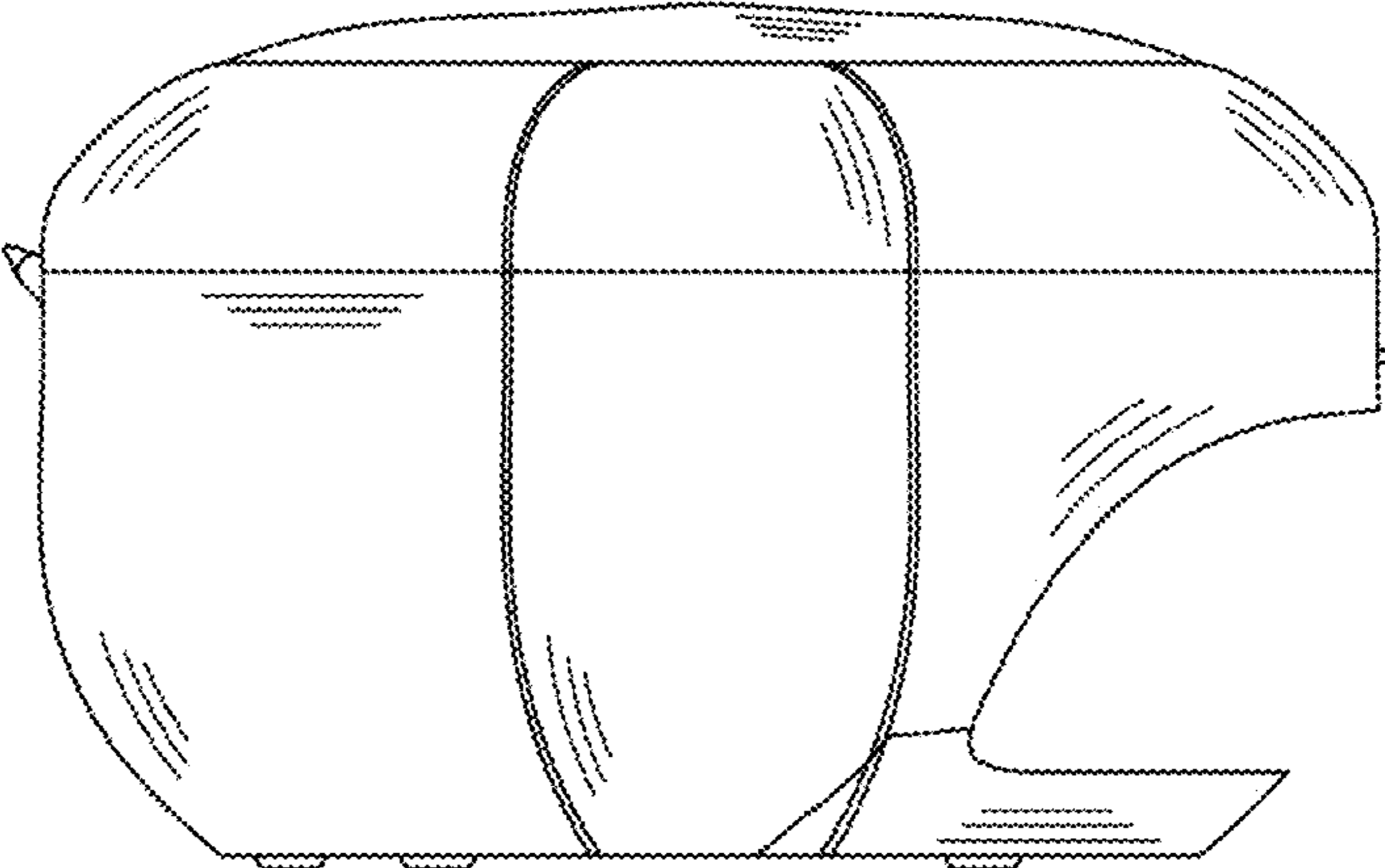


FIG.4

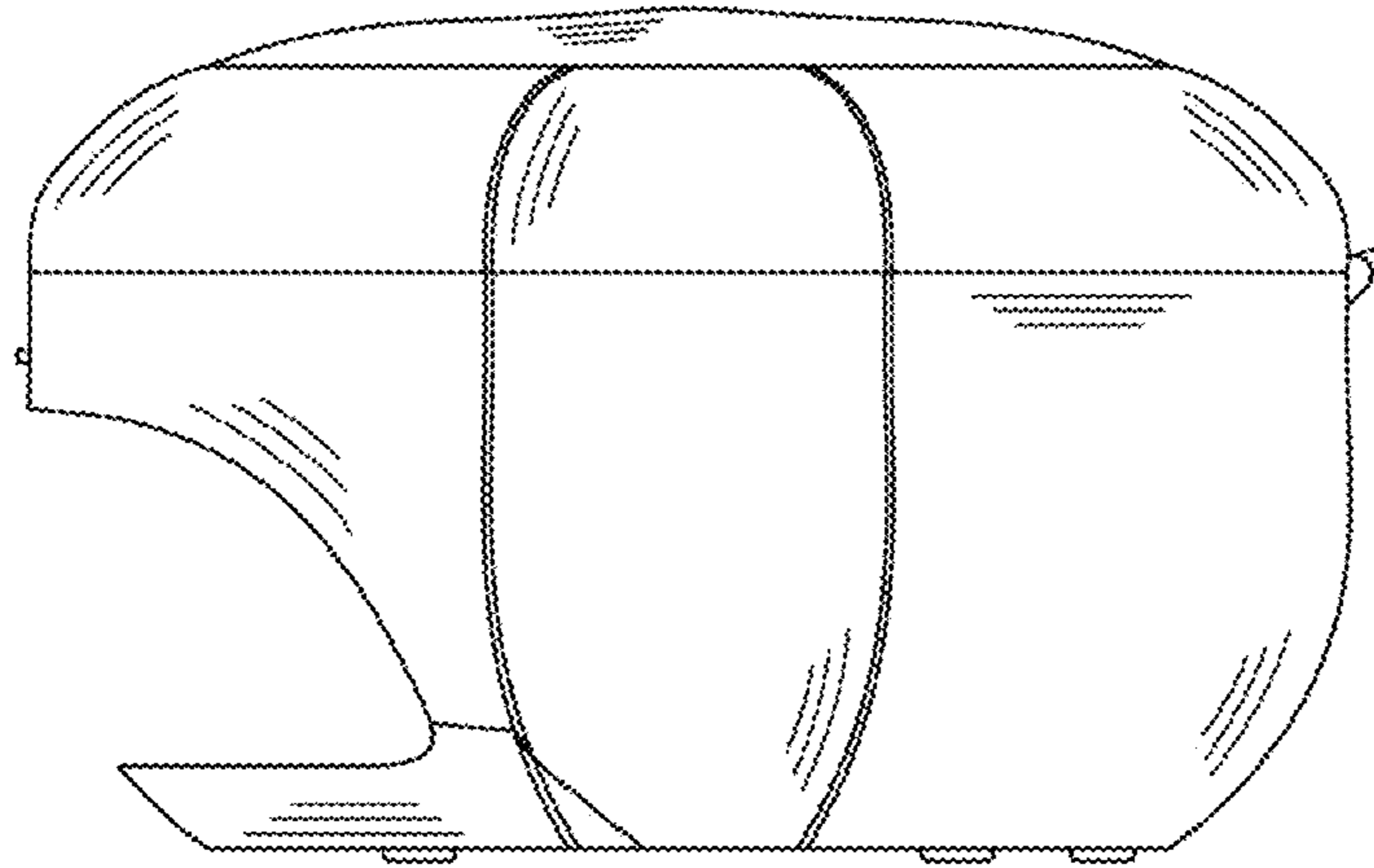


FIG.5

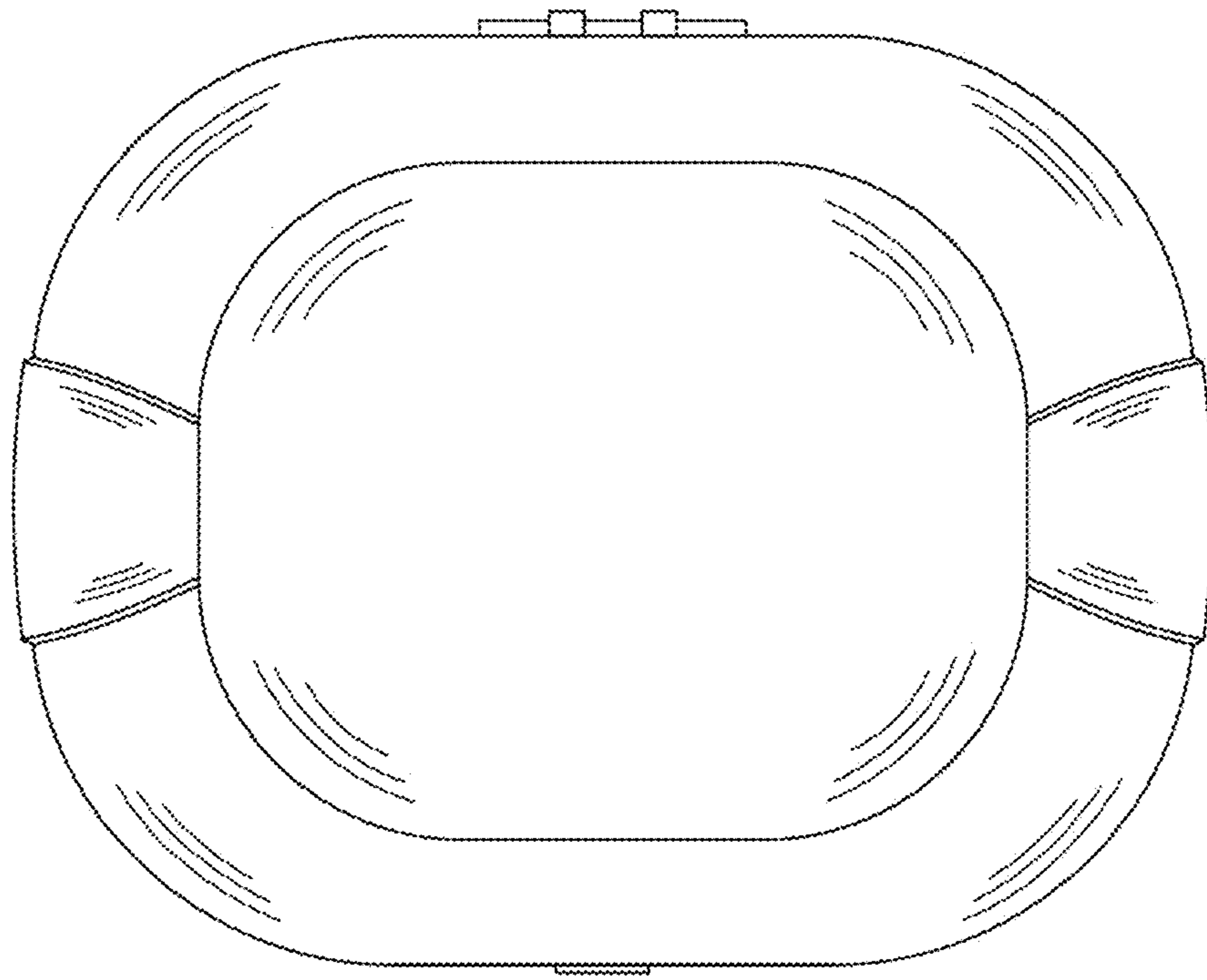


FIG.6

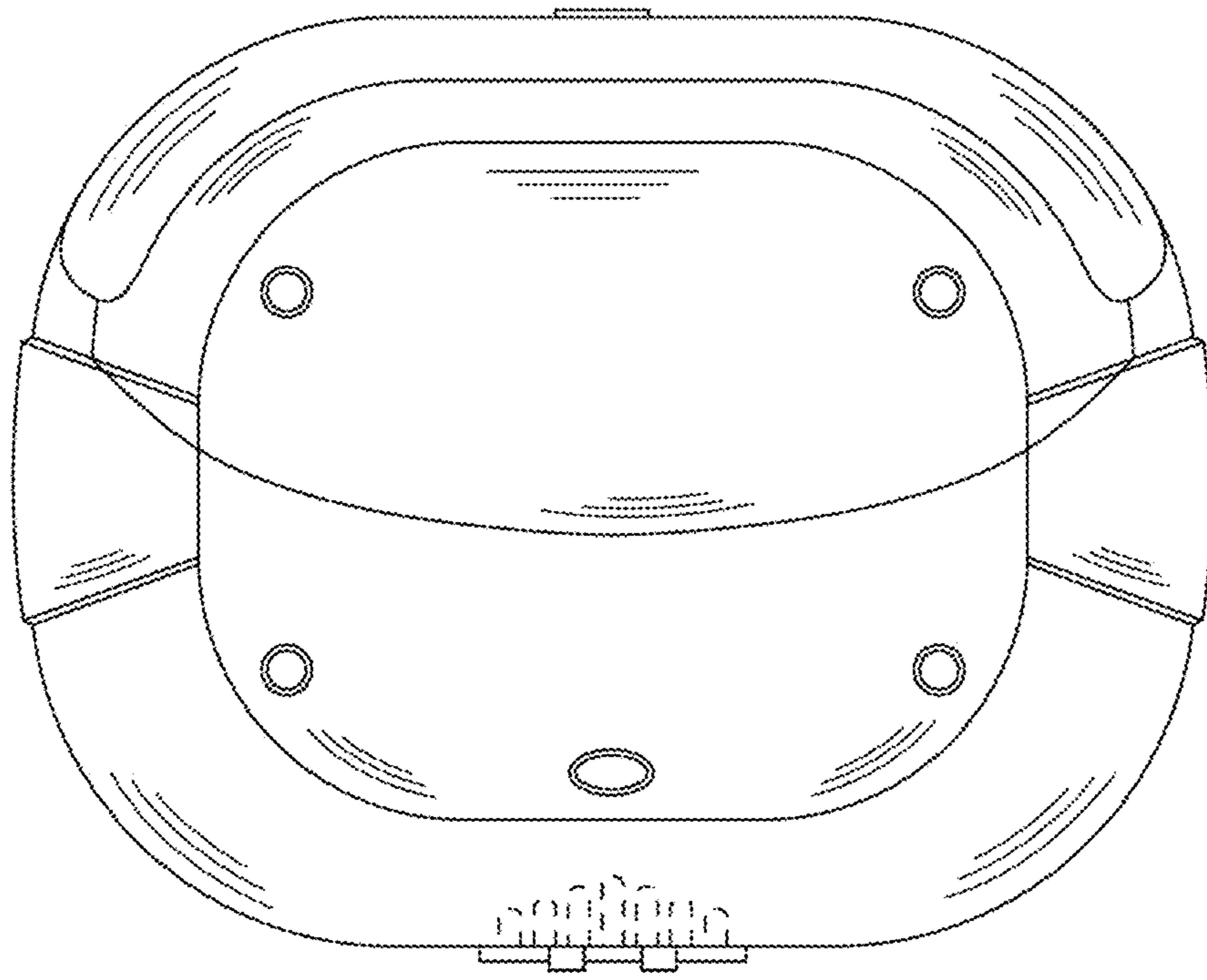


FIG.7

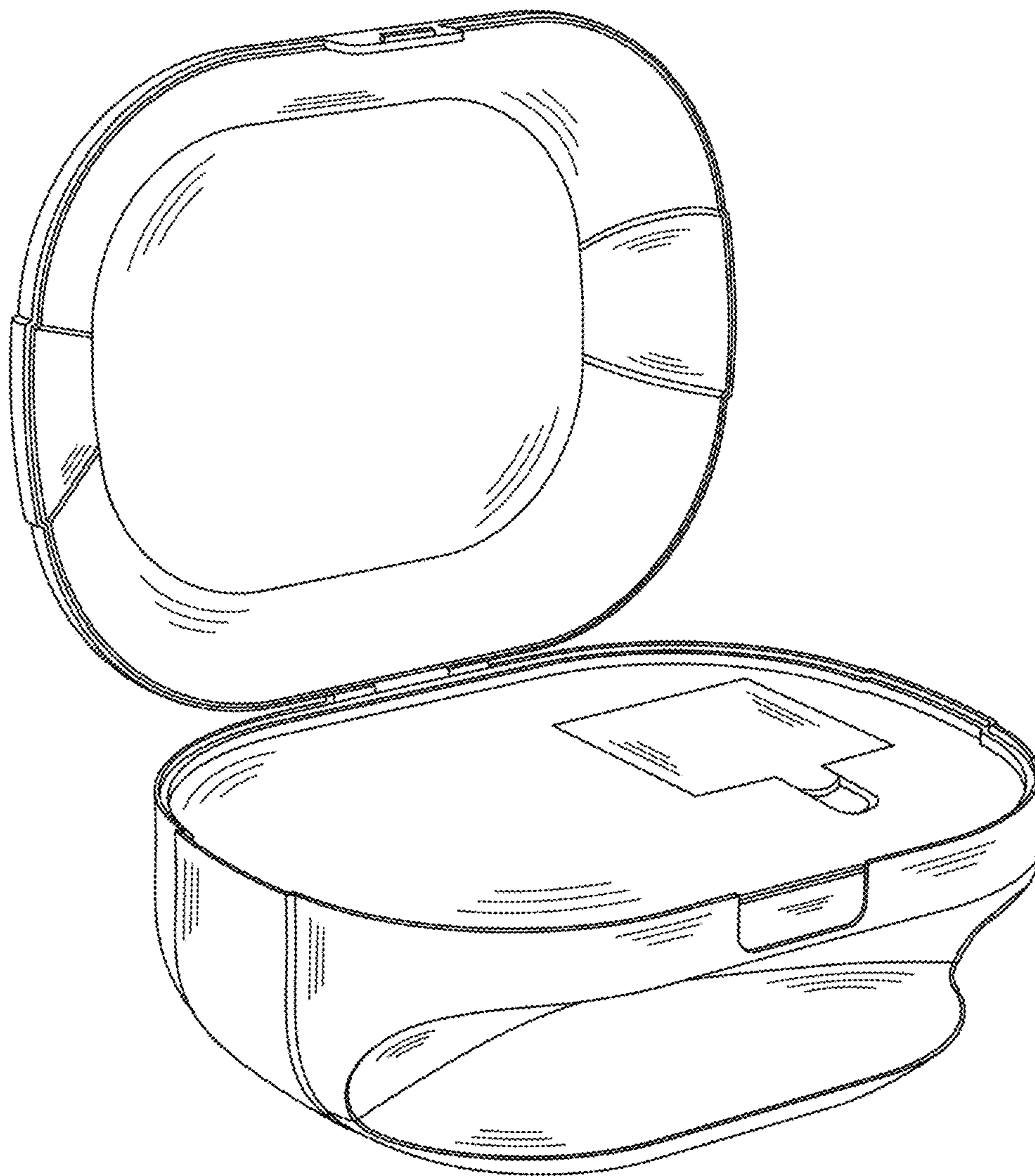


FIG.8