



US00D992204S

(12) **United States Design Patent** (10) **Patent No.:** **US D992,204 S**
Lyles (45) **Date of Patent:** **** Jul. 11, 2023**

(54) **HANDHELD CLIPPER**
(71) Applicant: **John Lyles**, Cherry Hill, NJ (US)
(72) Inventor: **John Lyles**, Cherry Hill, NJ (US)
(**) Term: **15 Years**
(21) Appl. No.: **29/800,530**
(22) Filed: **Jul. 21, 2021**
(51) **LOC (14) Cl.** **28-03**
(52) **U.S. Cl.**
USPC **D28/53**
(58) **Field of Classification Search**
USPC D28/44, 45, 49, 52-54; D30/158-159
CPC B26B 19/00; B26B 19/02; B26B 19/04;
B26B 19/06; B26B 19/10; B26B 19/12;
B26B 19/18; B26B 19/20; B26B 19/22;
B26B 19/26; B26B 19/28; B26B 19/30;
B26B 19/36; B26B 19/38; B26B 19/046
See application file for complete search history.

(56) **References Cited**
U.S. PATENT DOCUMENTS
D717,493 S * 11/2014 Kulshreshtha D28/53
D789,610 S * 6/2017 Kulshreshtha D28/53
D803,480 S * 11/2017 Wong D28/53
10,005,192 B2 * 6/2018 Kulshreshtha B26B 19/3853
10,391,646 B2 8/2019 Holmes
10,702,999 B2 * 7/2020 Iaccarino B26B 19/063
D905,909 S * 12/2020 Wang D28/53
D948,126 S * 4/2022 Bouhon D28/53
D970,816 S * 11/2022 Mao D28/53
D971,503 S * 11/2022 Mao D28/53
2008/0295340 A1 12/2008 Carlucci

2008/0301948 A1 12/2008 Kostner
2016/0176060 A1 * 6/2016 Kulshreshtha B26B 19/063
30/277.4
2023/0001592 A1 * 1/2023 Lyles B26B 19/3853

OTHER PUBLICATIONS

Beast Clipper Men's Electric Hair Clipper, <https://skullshaver.com/products/beast-clipper-hair-clipper>.
Lewissen Self-Haircut Hair Clippers, <https://www.amazon.com/Lewissen-Self-Haircut-Clippers-Waterproof-Rechargeable/dp/B08CXK39K8>.
Flexseries Electric Head Shaver, <https://www.freedom-grooming.com/products/eagleflex-shave?variant=31871060803670>.

* cited by examiner

Primary Examiner — Alison M Ofstun

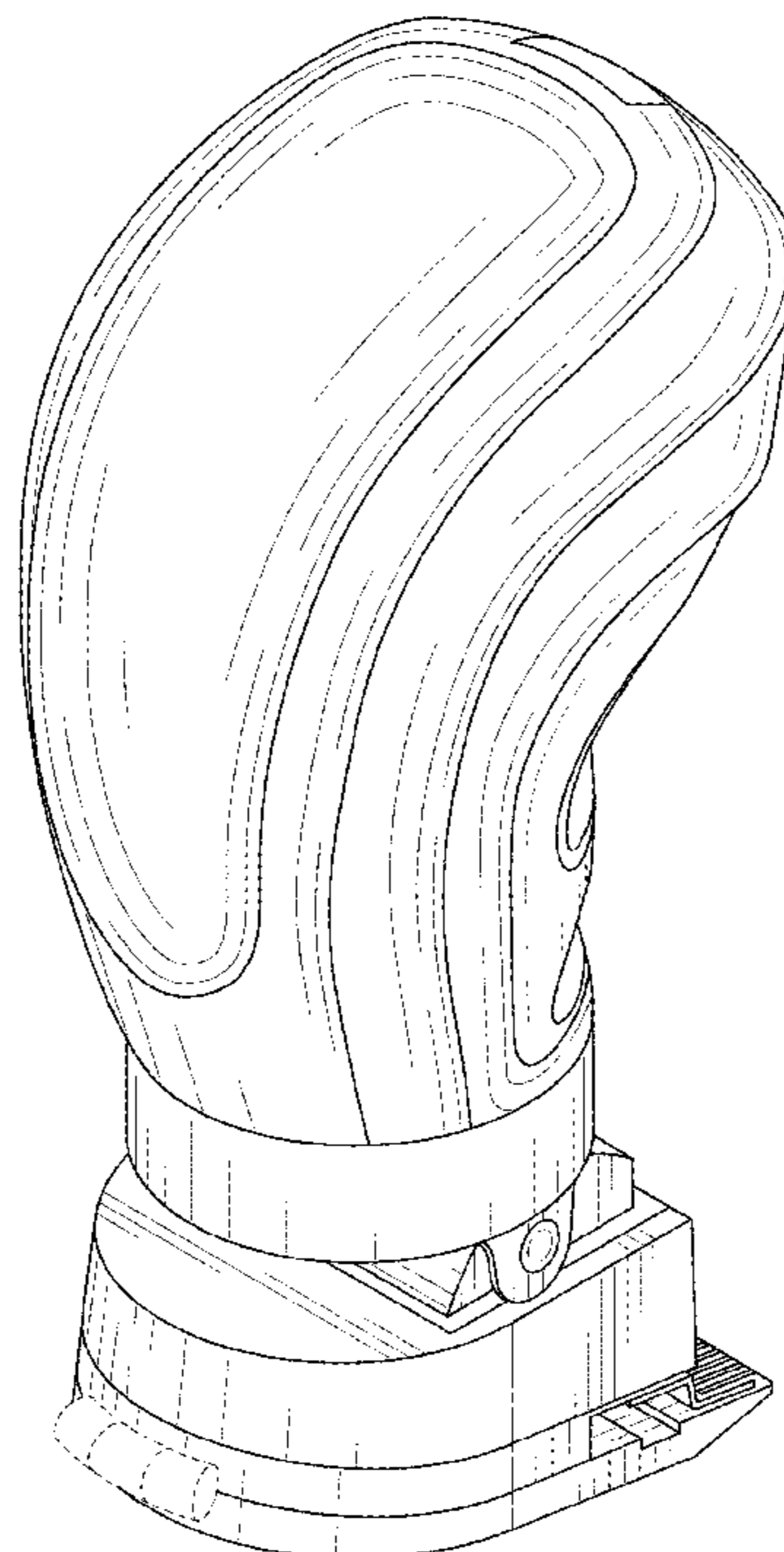
(57) **CLAIM**

The ornamental design for a handheld clipper, as shown and described.

DESCRIPTION

FIG. 1 is a top-front-left perspective view of a handheld clipper, showing my new design;
FIG. 2 is a bottom-rear-left perspective view thereof;
FIG. 3 is a front elevational view thereof;
FIG. 4 is a rear elevational view thereof;
FIG. 5 is a left elevational view thereof;
FIG. 6 is a right elevational view thereof;
FIG. 7 is a top plan view thereof; and,
FIG. 8 is a bottom plan view thereof.
In the drawings, the broken lines showing a clipper hinge illustrate portions of the handheld clipper forming no part of the claimed design.

1 Claim, 8 Drawing Sheets



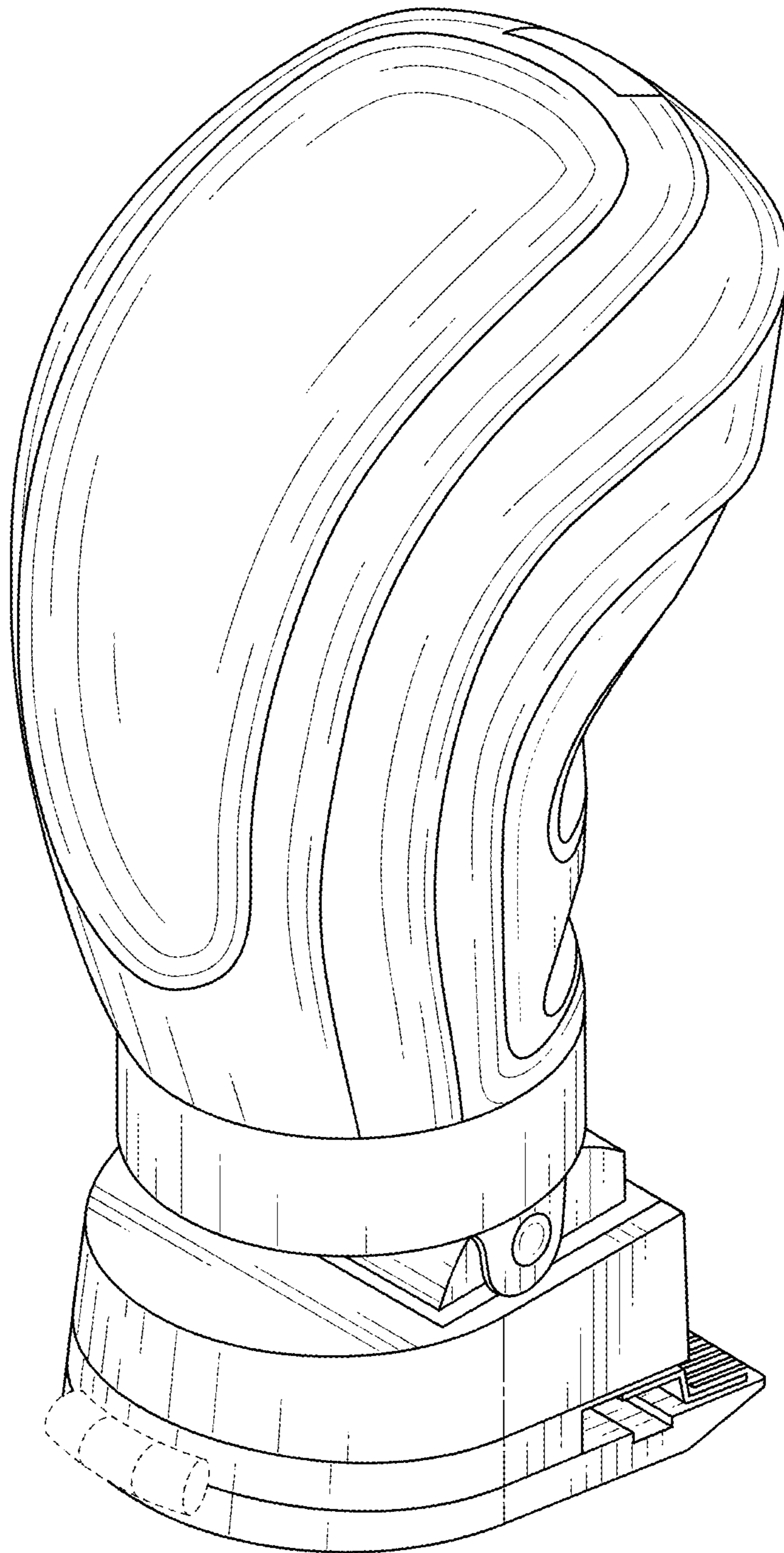


FIG. 1

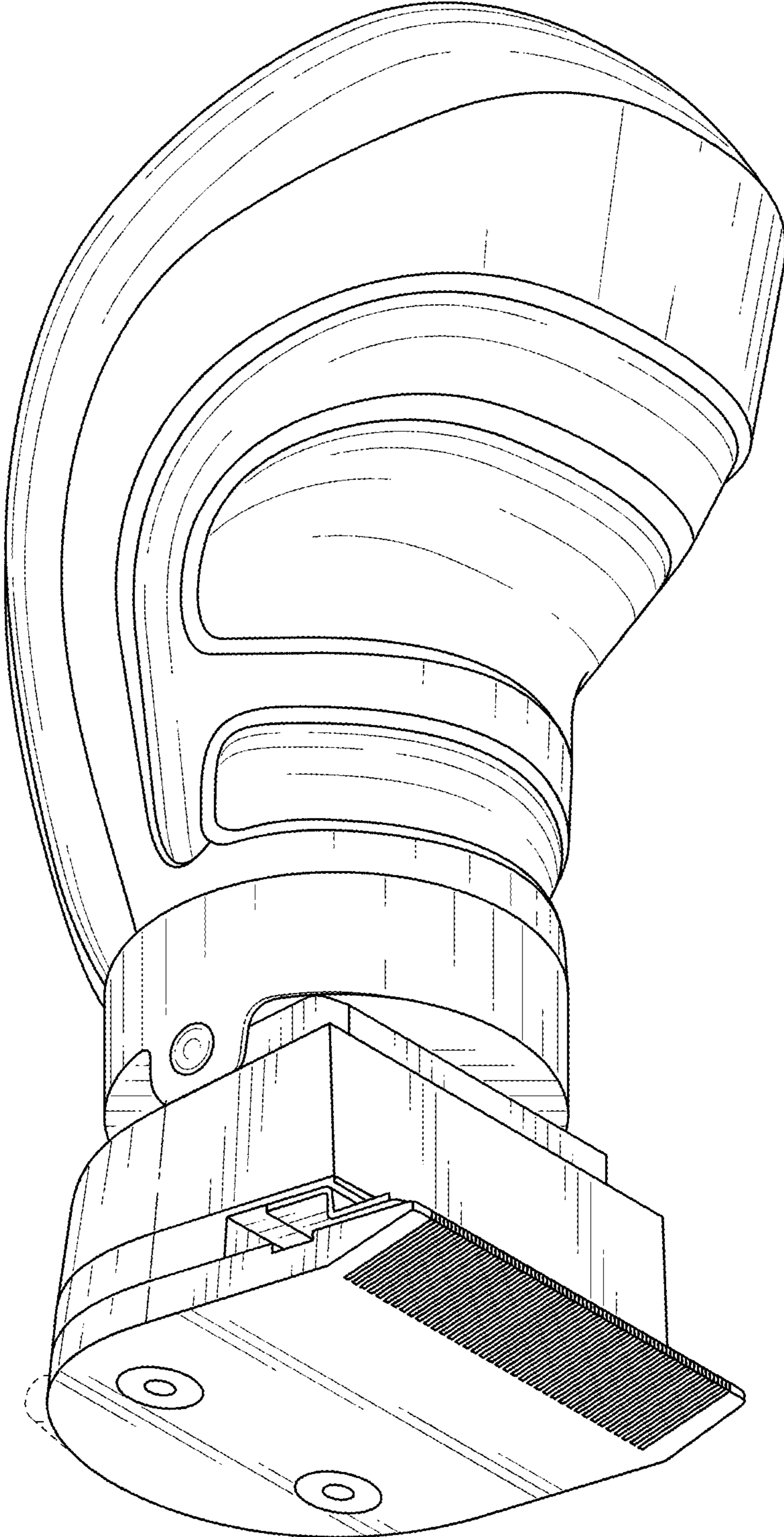


FIG. 2

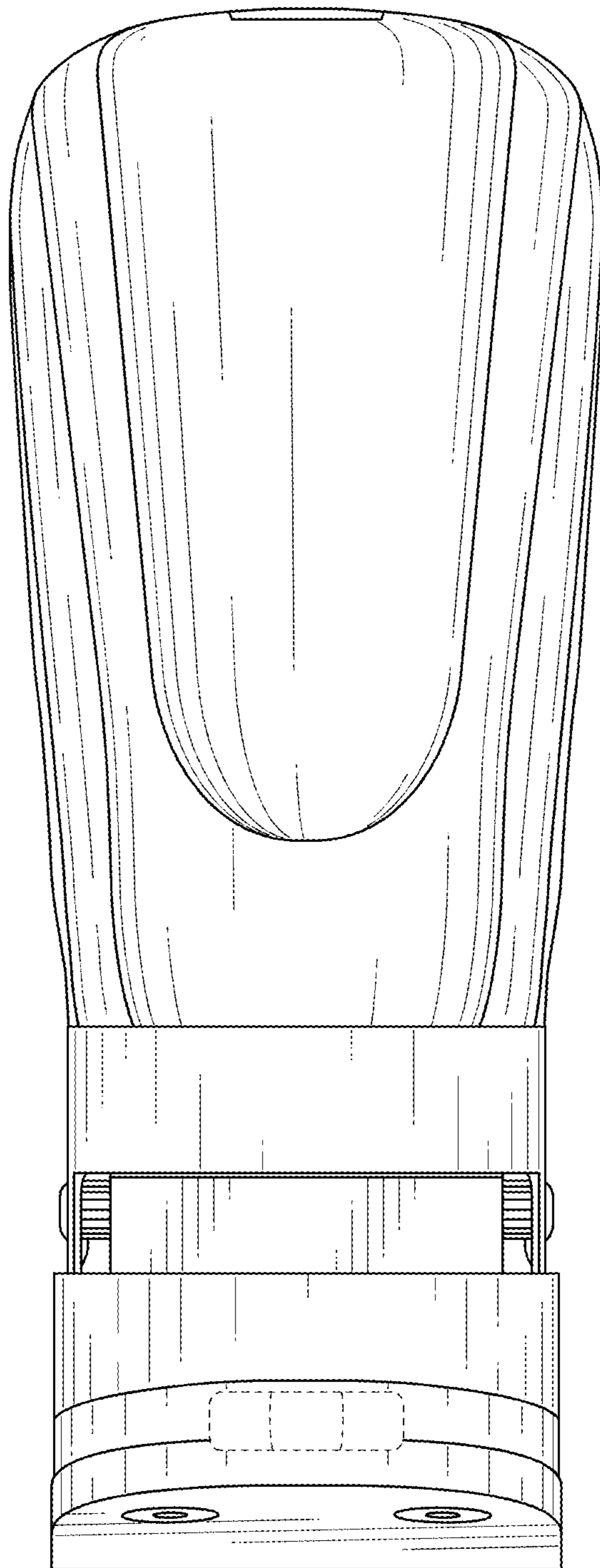


FIG. 3

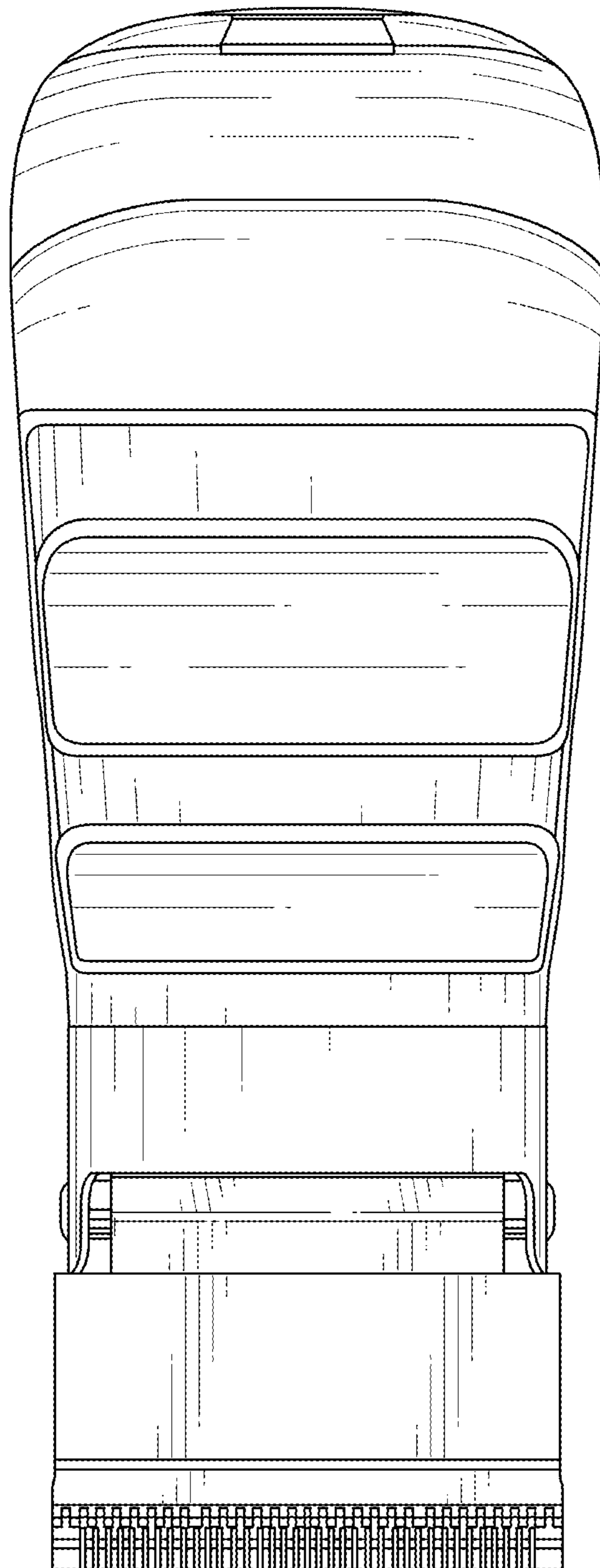


FIG. 4

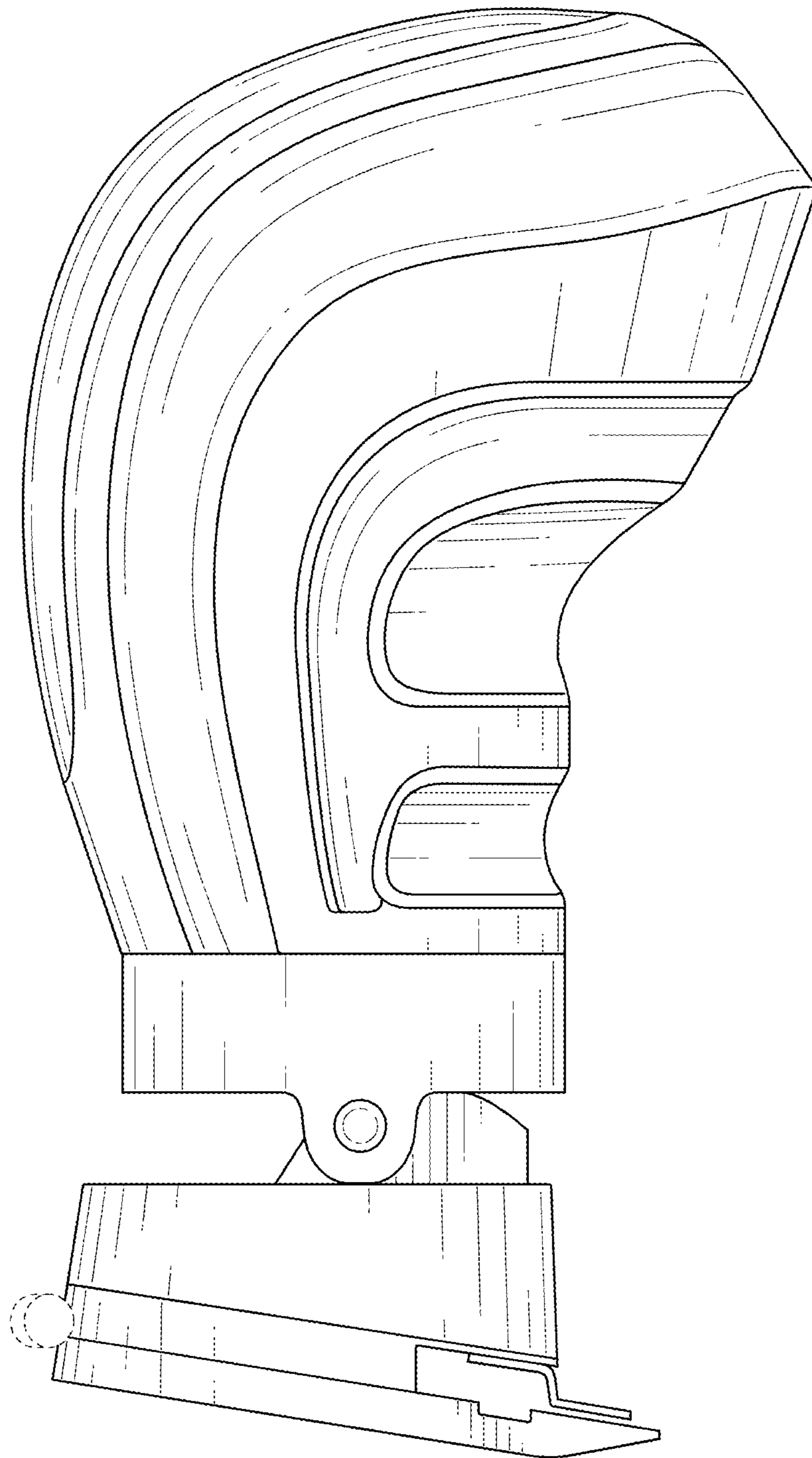


FIG. 5

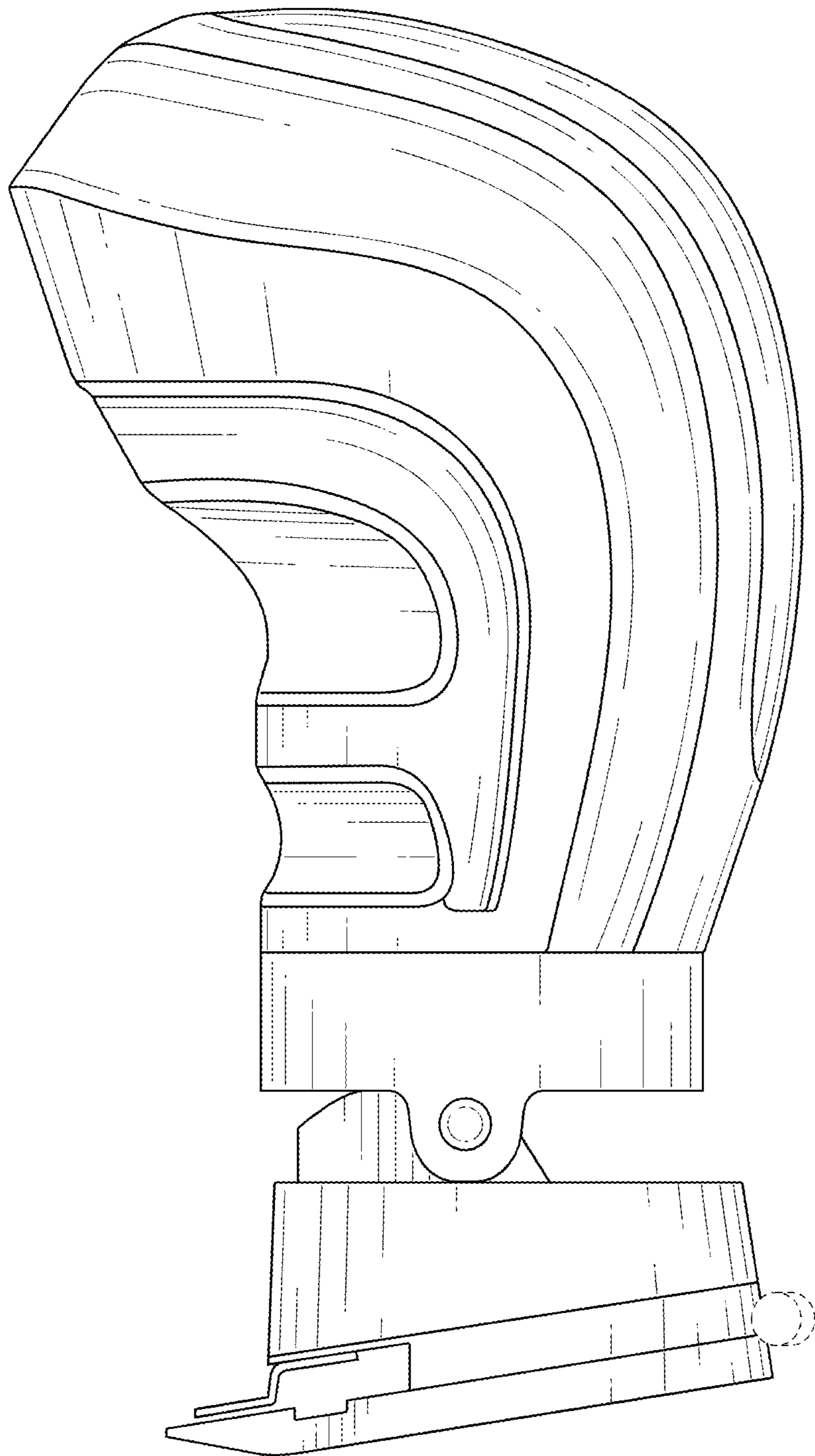


FIG. 6

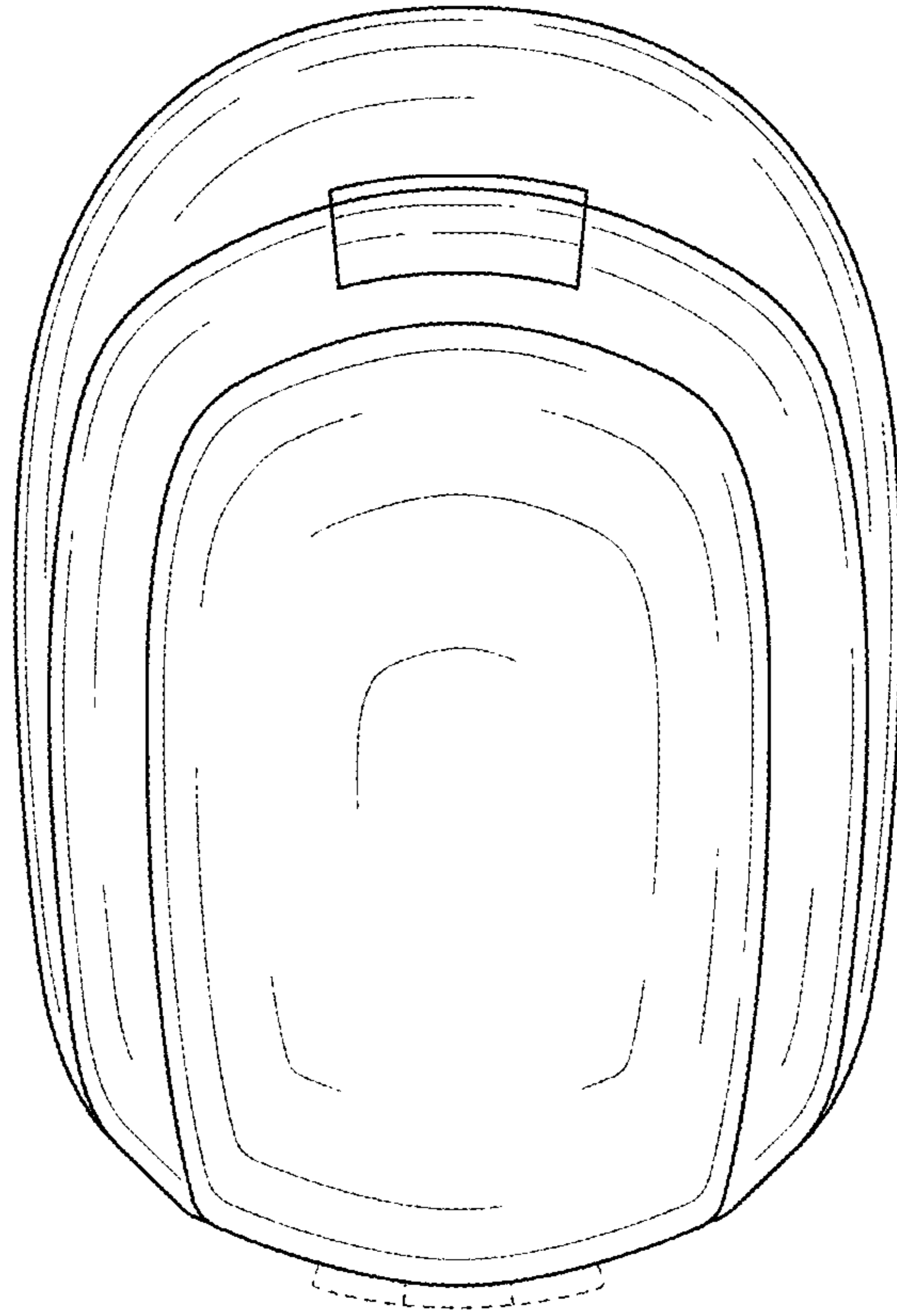


FIG. 7

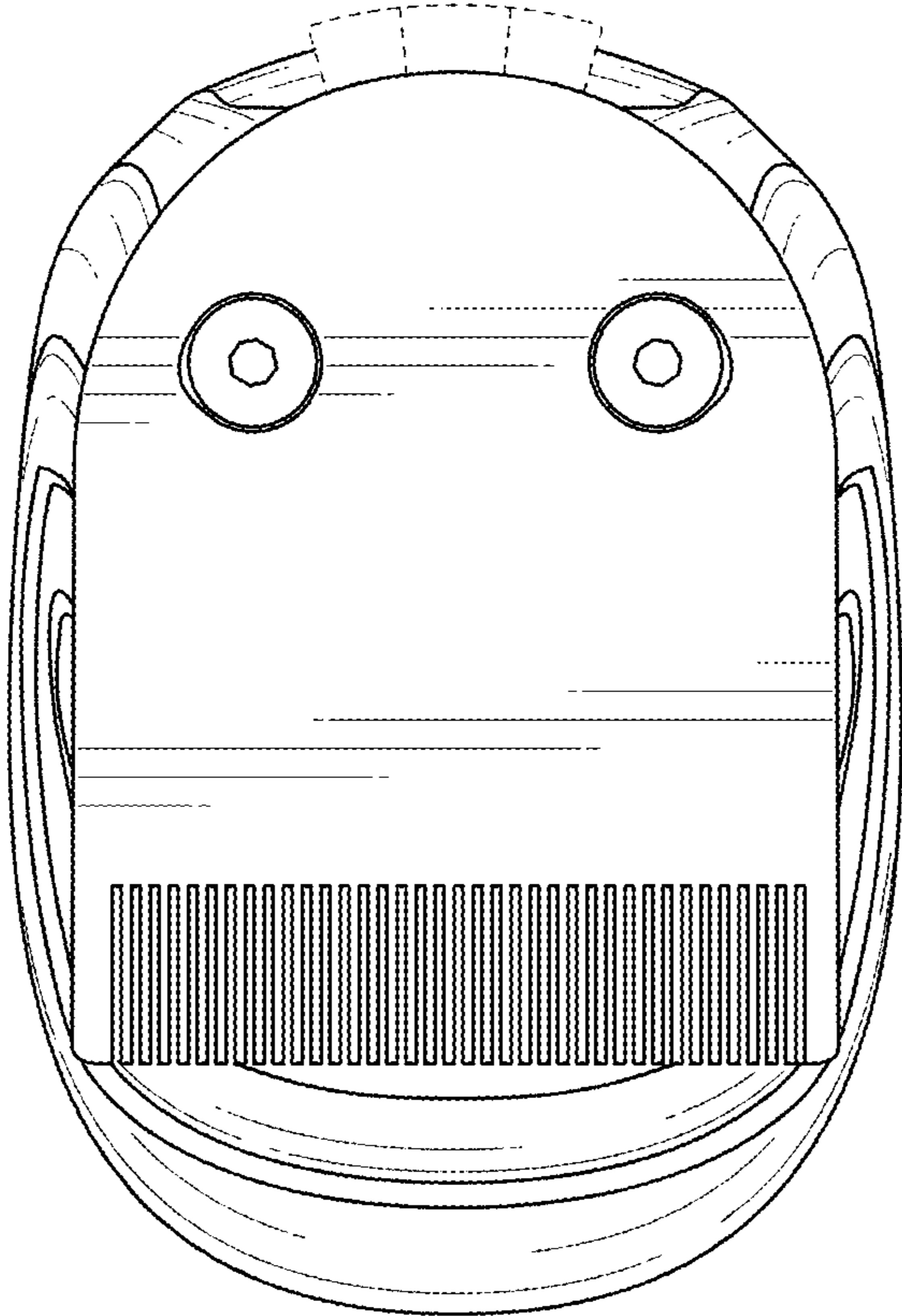


FIG. 8