



US00D992152S

(12) **United States Design Patent**  
**Newman**

(10) **Patent No.:** **US D992,152 S**  
(45) **Date of Patent:** **\*\* Jul. 11, 2023**

- (54) **MOBILE STACKABLE TOWER**
- (71) Applicant: **Gerald W. Newman**, Spangle, WA (US)
- (72) Inventor: **Gerald W. Newman**, Spangle, WA (US)

D817,917 S	5/2018	Norrell	
D817,918 S	5/2018	Sabatino et al.	
D825,784 S	8/2018	Ma et al.	
D938,616 S	* 12/2021	Schlatter .....	D25/126
D947,414 S	* 3/2022	Newman .....	D25/126
D965,182 S	* 9/2022	Porter .....	D25/126
D970,755 S	* 11/2022	DiBiase .....	D25/131
D975,318 S	* 1/2023	Herbertsson .....	D25/126

(\*\*) Term: **15 Years**

\* cited by examiner

(21) Appl. No.: **29/832,240**

*Primary Examiner* — Samantha Q Lawrence

(22) Filed: **Mar. 25, 2022**

(74) *Attorney, Agent, or Firm* — Lee & Hayes, P.C.

**Related U.S. Application Data**

(62) Division of application No. 29/735,381, filed on May 20, 2020, now Pat. No. Des. 947,414.

(51) **LOC (14) Cl.** ..... **25-01**

(52) **U.S. Cl.**  
USPC ..... **D25/126**

(58) **Field of Classification Search**  
USPC ..... D25/119, 125, 126, 127, 128, 129, 130, D25/131, 132, 133, 134, 135, 136  
CPC ..... E04B 9/068; E04C 3/07; E04C 2003/046; E01F 9/617; E02B 3/06; F21S 4/28; F21V 15/01; F21V 33/006; F21Y 2115/10  
See application file for complete search history.

(56) **References Cited**

**U.S. PATENT DOCUMENTS**

D374,725 S	10/1996	Conigliaro
D615,217 S	5/2010	Steinkraus
D650,095 S	12/2011	Smolinski
D708,357 S	7/2014	Brann
D718,241 S	11/2014	Gretz
D806,904 S	1/2018	DeBellis
D817,915 S	5/2018	Norrell
D817,916 S	5/2018	Norrell

(57) **CLAIM**

The ornamental design for a mobile stackable tower, as shown and described.

**DESCRIPTION**

FIG. 1 is a front, top perspective view of a mobile stackable tower;

FIG. 2 is a back, bottom perspective view thereof;

FIG. 3 is a front elevation view thereof;

FIG. 4 is a back elevation view thereof;

FIG. 5 is a left-side elevation view thereof;

FIG. 6 is a right-side elevation view thereof;

FIG. 7 is a top plan view thereof;

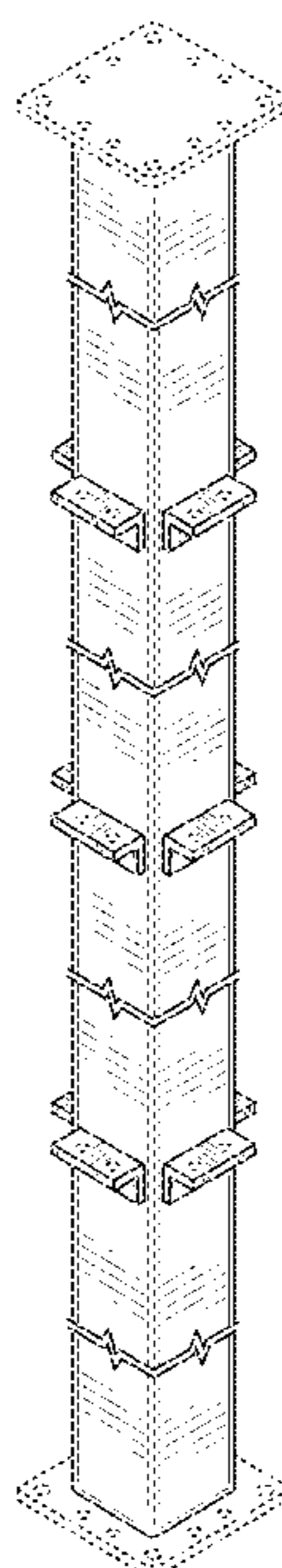
FIG. 8 is a bottom plan view thereof; and,

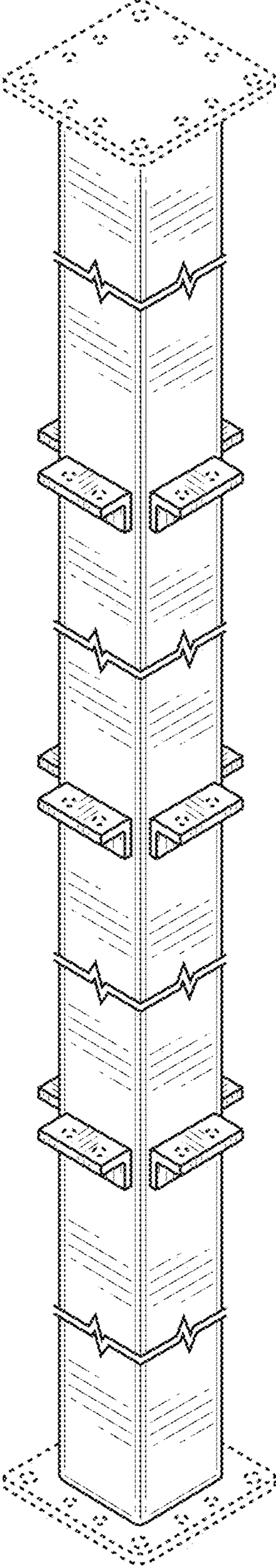
FIG. 9 is a front, top perspective view of the mobile stackable tower according to the present design.

The broken lines mobile stackable tower is shown with symbolic breaks in its length. The appearance of any portion of the article between the break lines forms no part of the claimed design.

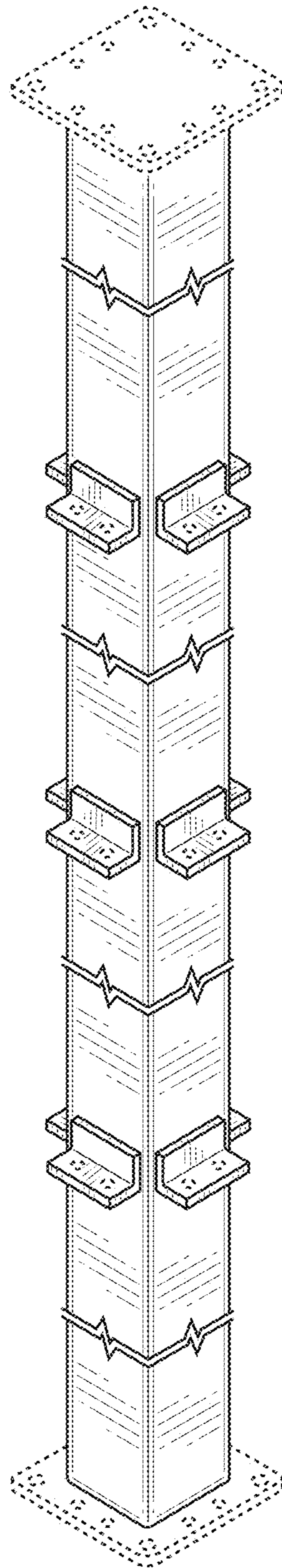
The broken lines shown in FIGS. 1-9 illustrate portions of the mobile stackable tower that form no part of the claimed design.

**1 Claim, 9 Drawing Sheets**

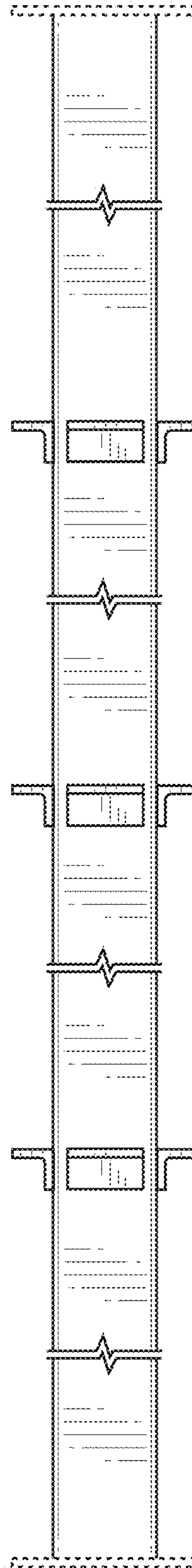




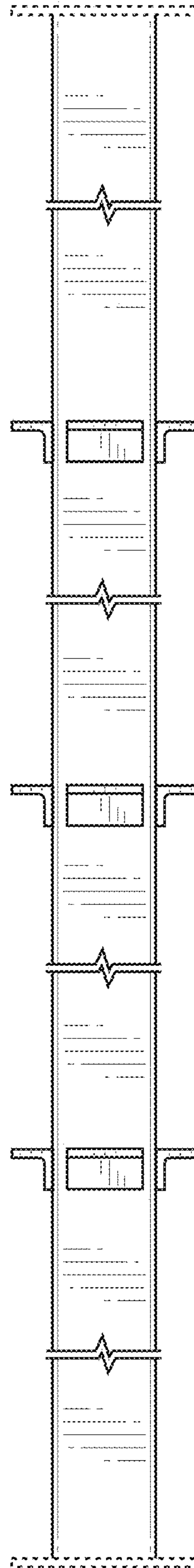
**FIG. 1**



**FIG. 2**

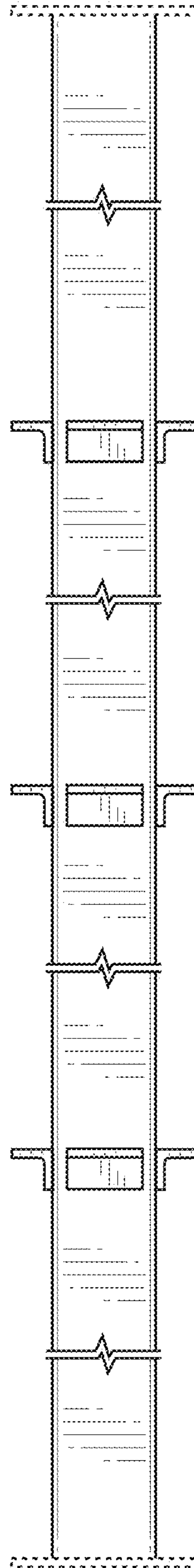


**FIG. 3**

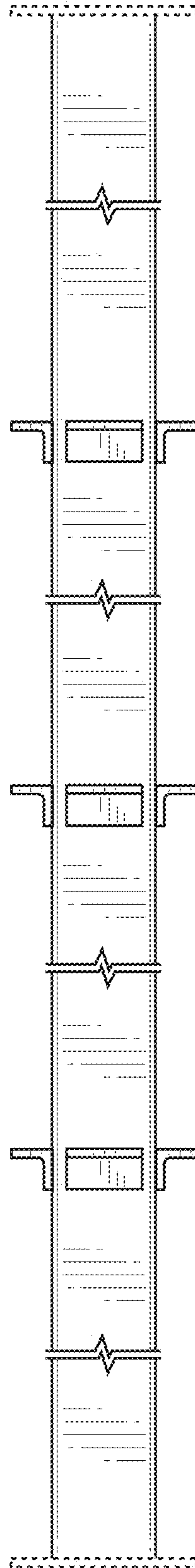


**FIG. 4**

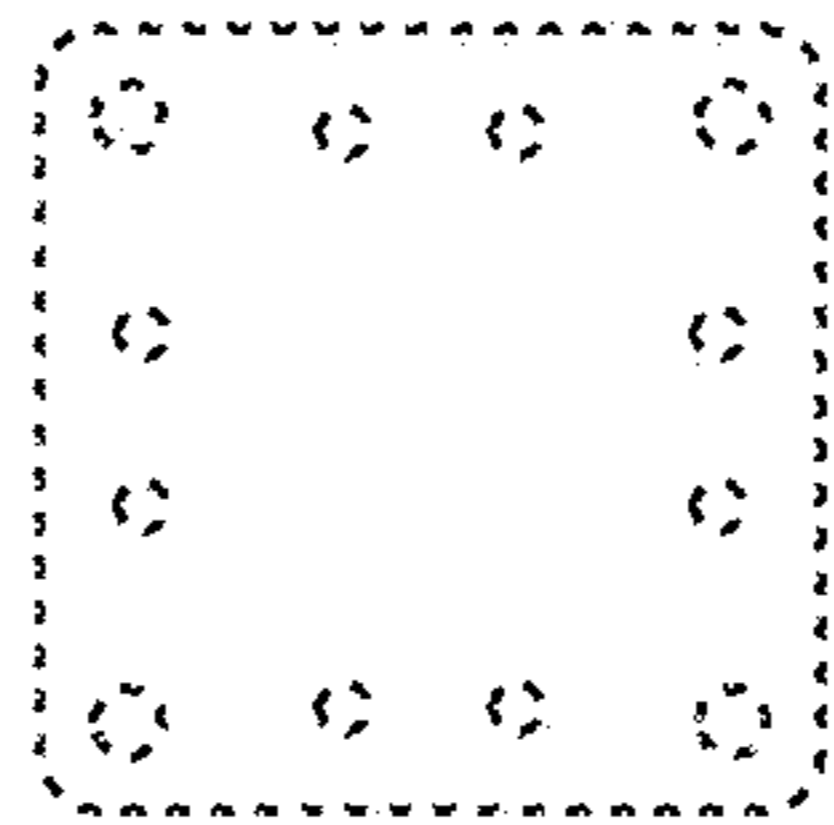




**FIG. 5**

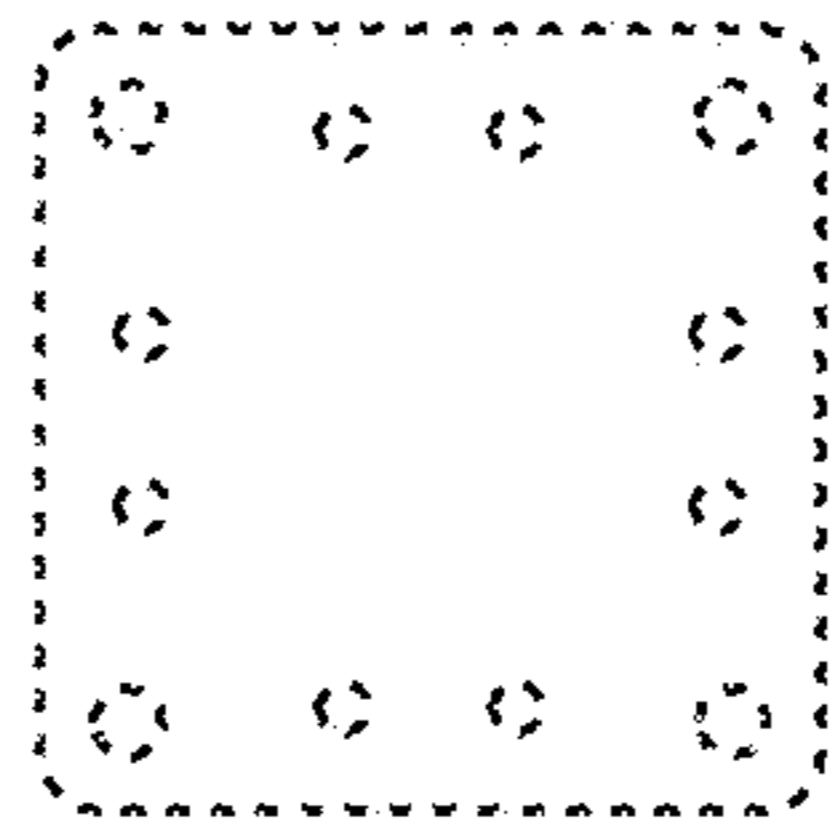


**FIG. 6**

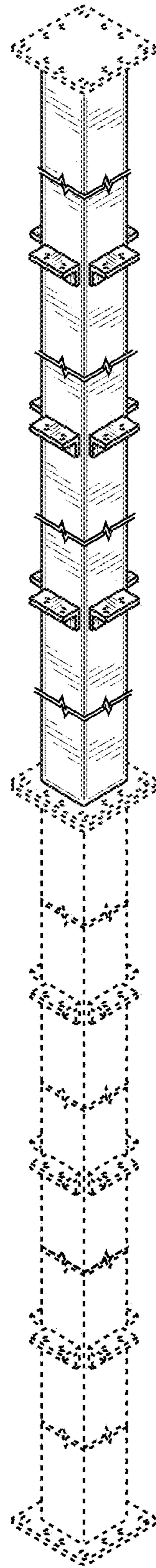


***FIG. 7***





***FIG. 8***



**FIG. 9**