



US00D992127S

(12) **United States Design Patent**  
**Lowsky**

(10) **Patent No.:** **US D992,127 S**  
(45) **Date of Patent:** **\*\* Jul. 11, 2023**

(54) **PENDANT FOR SENSORY THERAPY**

(71) Applicant: **ARK Therapeutic Services, Inc.**,  
Columbia, SC (US)

(72) Inventor: **Rebecca Lowsky**, Columbia, SC (US)

(73) Assignee: **ARK Therapeutic Services, Inc.**,  
Columbia, SC (US)

(\*\*) Term: **15 Years**

(21) Appl. No.: **29/772,452**

(22) Filed: **Mar. 2, 2021**

(51) **LOC (14) Cl.** ..... **24-01**

(52) **U.S. Cl.**  
USPC ..... **D24/200**; D24/194

(58) **Field of Classification Search**  
USPC ..... D24/133, 146–147, 200, 214–215, 107,  
D24/127, 186, 196, 199, 209–211,  
D24/194–195; D9/434–435, 439, 445,  
D9/544, 723, 724, 729; D4/122–123;  
D3/29; D8/300, 310, 322; D7/391, 392,  
D7/398, 900; D28/7, 76  
CPC ..... A61B 5/441; A61B 5/442; A61B 5/443;  
A61B 5/444; A61B 5/445; A61B 18/203;  
A61B 5/0008; A61B 5/01; A61B 1/227;  
A61N 5/0616; A61N 5/062; A61N  
5/0613; A61N 2005/0644; A61F 7/007;  
A61F 2007/0086; A61F 2007/0087;  
G01K 5/22; G01K 13/00; A61M 35/003;  
A61M 35/006; A61M 39/00; A61M  
39/10; A61M 39/20

See application file for complete search history.

(56) **References Cited**

**U.S. PATENT DOCUMENTS**

D47,419 S \* 6/1915 Golden ..... D24/194  
D60,947 S \* 5/1922 Patrich ..... D24/194  
D306,074 S \* 2/1990 Klitsner ..... D21/468  
D437,972 S \* 2/2001 Harty ..... D28/7

D470,194 S \* 2/2003 Manville ..... D21/496  
D492,581 S \* 7/2004 Fahy ..... D8/378  
D507,360 S \* 7/2005 Yuen ..... D26/73  
D546,062 S \* 7/2007 Tate ..... D3/291

(Continued)

**OTHER PUBLICATIONS**

Simple chewable flower necklace, first available Jan. 11, 2023,  
etsy.com, [online], [site visited Mar. 9, 2023], Available from  
internet URL: <https://www.etsy.com/listing/1196263449/simple-chewable-flower-necklace?> (Year: 2023).\*

(Continued)

*Primary Examiner* — Samantha Q Lawrence

*Assistant Examiner* — Holly M Rodriguez

(74) *Attorney, Agent, or Firm* — Dority & Manning, P.A.

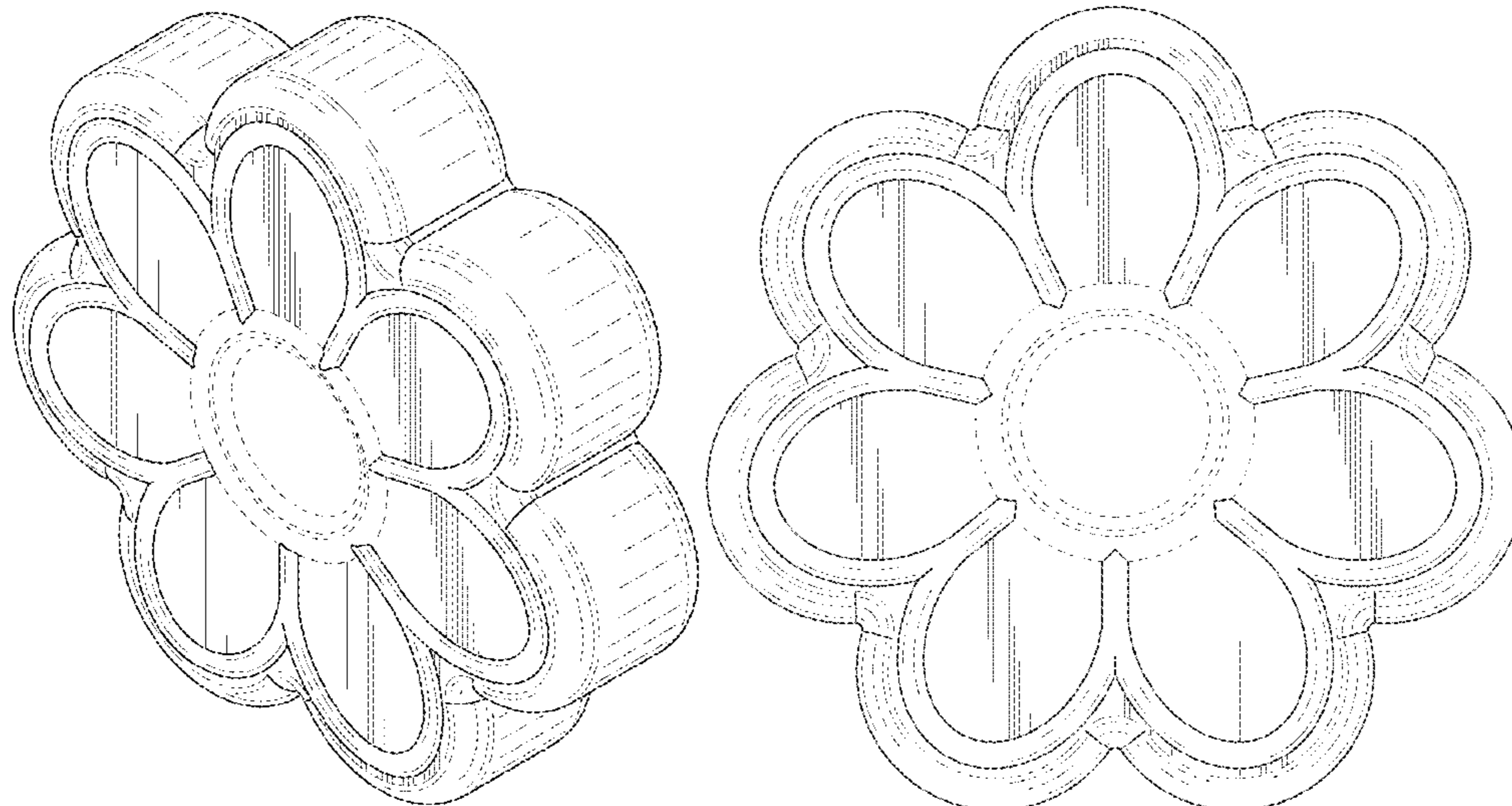
(57) **CLAIM**

The ornamental design for a pendant for sensory therapy, as  
shown and described.

**DESCRIPTION**

FIG. 1 is a front perspective view of a pendant for sensory  
therapy showing my new design;  
FIG. 2 is a front view of the pendant for sensory therapy of  
FIG. 1;  
FIG. 3 is a rear view of the pendant for sensory therapy of  
FIG. 1;  
FIG. 4 is a left side view of the pendant for sensory therapy  
of FIG. 1;  
FIG. 5 is a left side view of the pendant for sensory therapy  
of FIG. 1;  
FIG. 6 is a top view of the pendant for sensory therapy of  
FIG. 1; and,  
FIG. 7 is a bottom view of the pendant for sensory therapy  
of FIG. 1.  
The broken lines shown in FIGS. 1, 2, and 4 illustrate  
portions of the pendant for sensory therapy that form no part  
of the claimed design.

**1 Claim, 5 Drawing Sheets**



(56)

**References Cited**

U.S. PATENT DOCUMENTS

D640,383 S \* 6/2011 Roehrig ..... D24/194  
D687,954 S \* 8/2013 Dallman ..... D24/194  
D739,540 S \* 9/2015 Almonte ..... D24/198  
D848,060 S \* 5/2019 Ludert ..... D28/7  
D888,970 S \* 6/2020 McCoy ..... D24/195

OTHER PUBLICATIONS

Flower Chew Necklace, thetherapystore.com, [online], [site visited Mar. 9, 2023], Available from internet URL: <https://www.thetherapystore.com.au/flower-chew-necklace> (Year: 2023).\*

Ark's Flower Chew Necklace, first available Aug. 10, 2021, arktherapeutic.com, [online], [site visited Mar. 9, 2023], Available from internet URL: <https://www.arktherapeutic.com/arks-flower-chew-necklace/> (Year: 2021).\*

\* cited by examiner

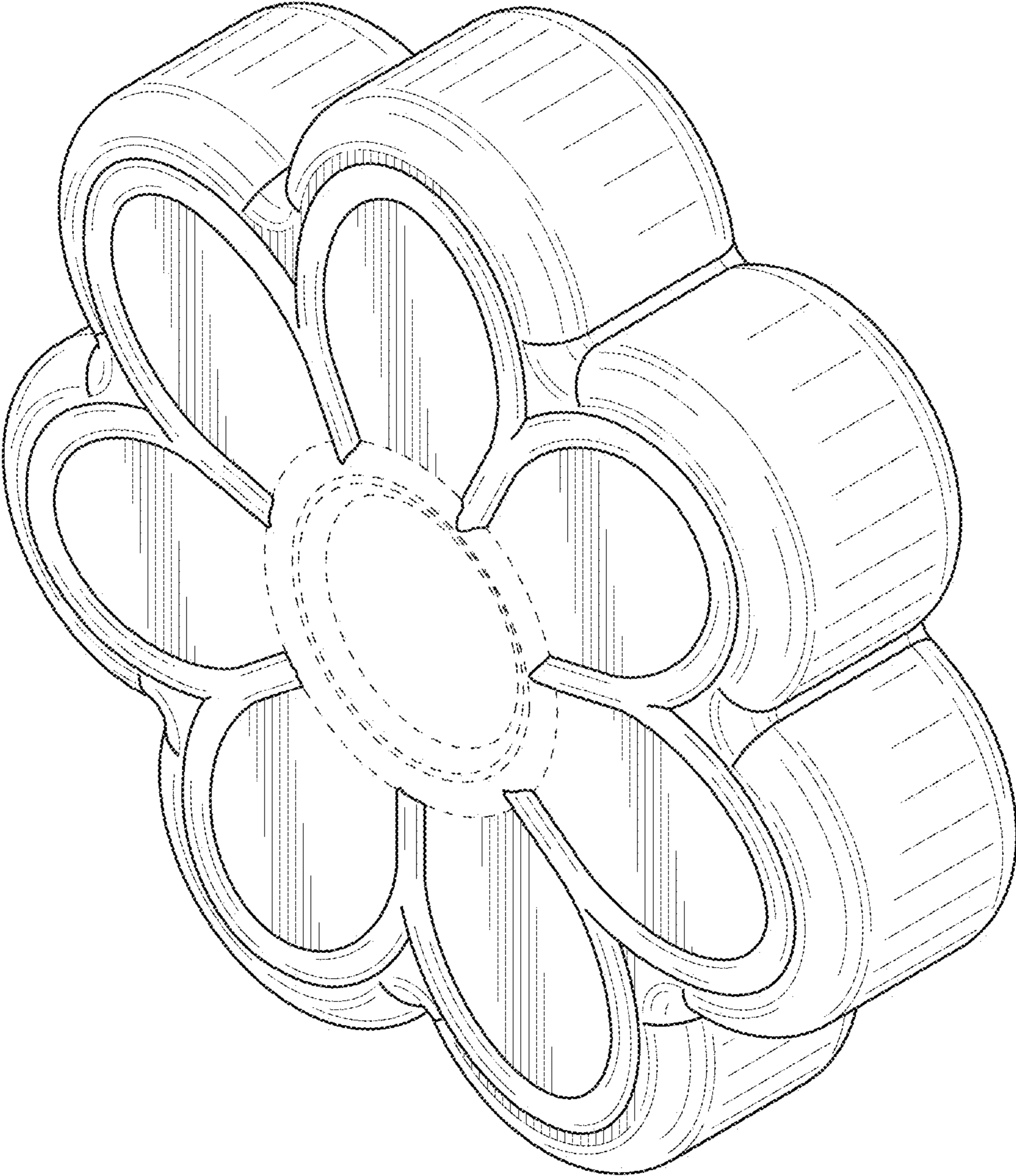


FIG. 1



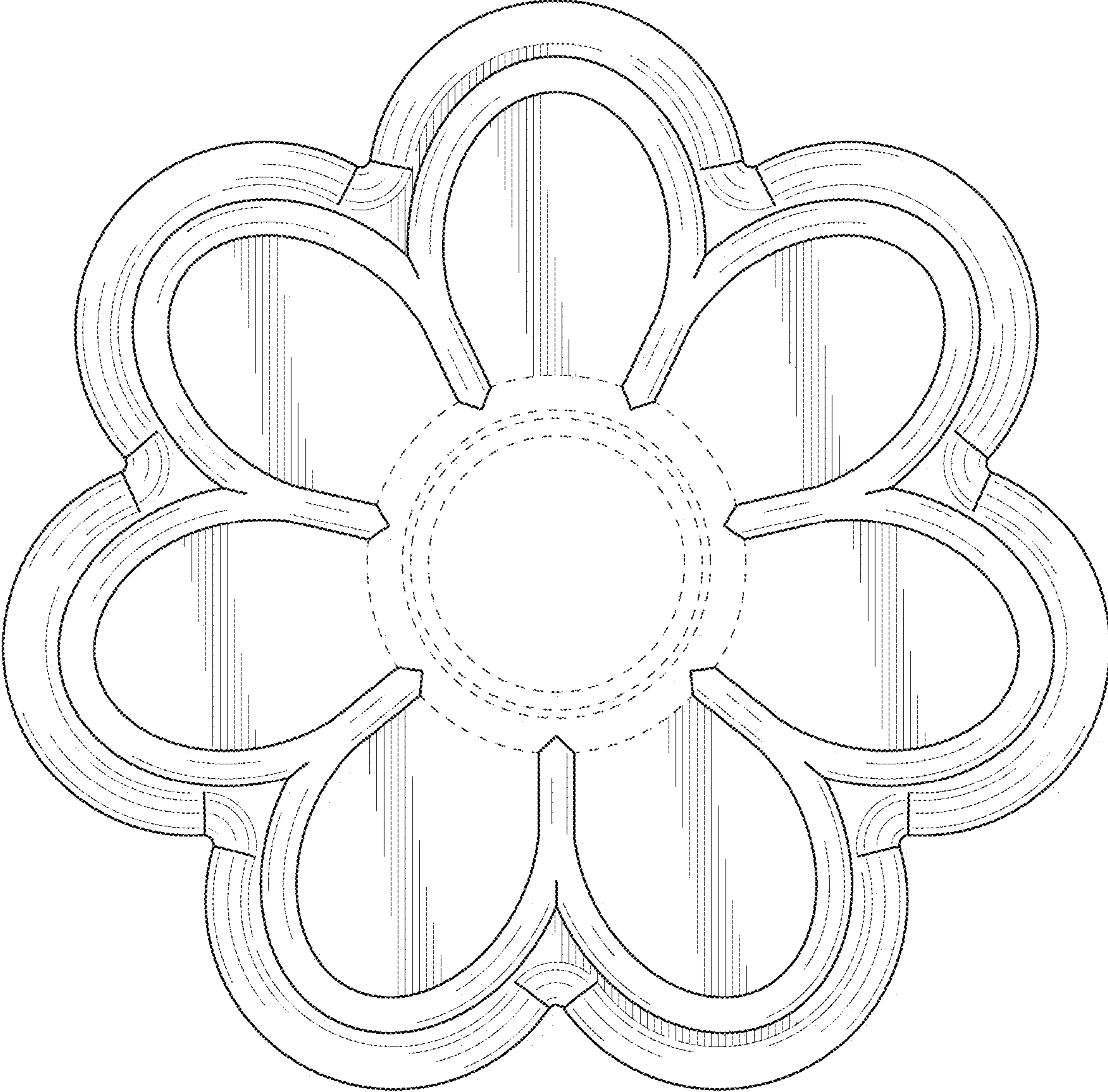


FIG. 2

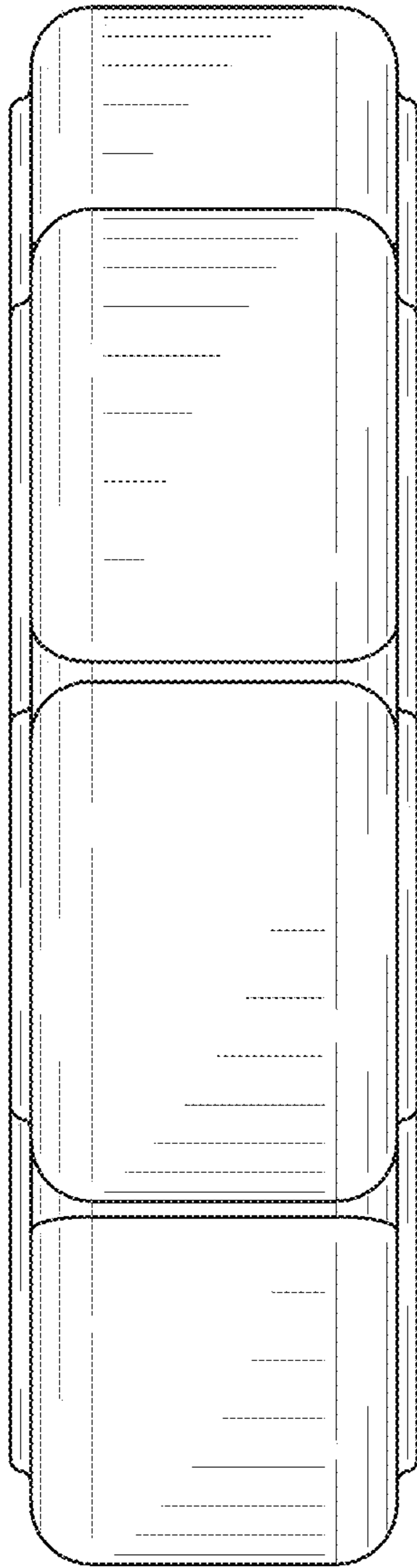


FIG. 3

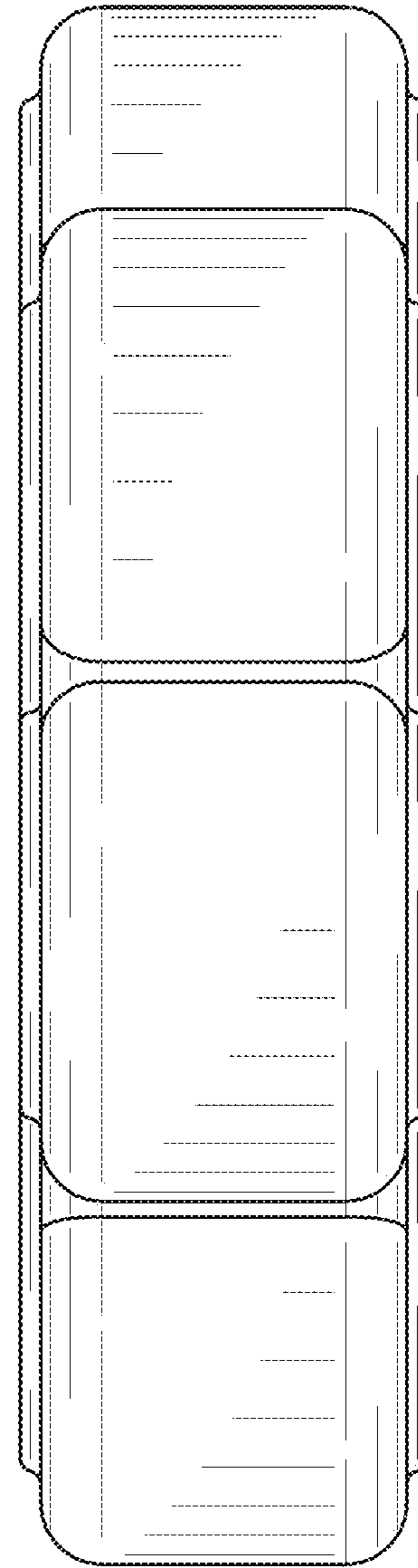


FIG. 5

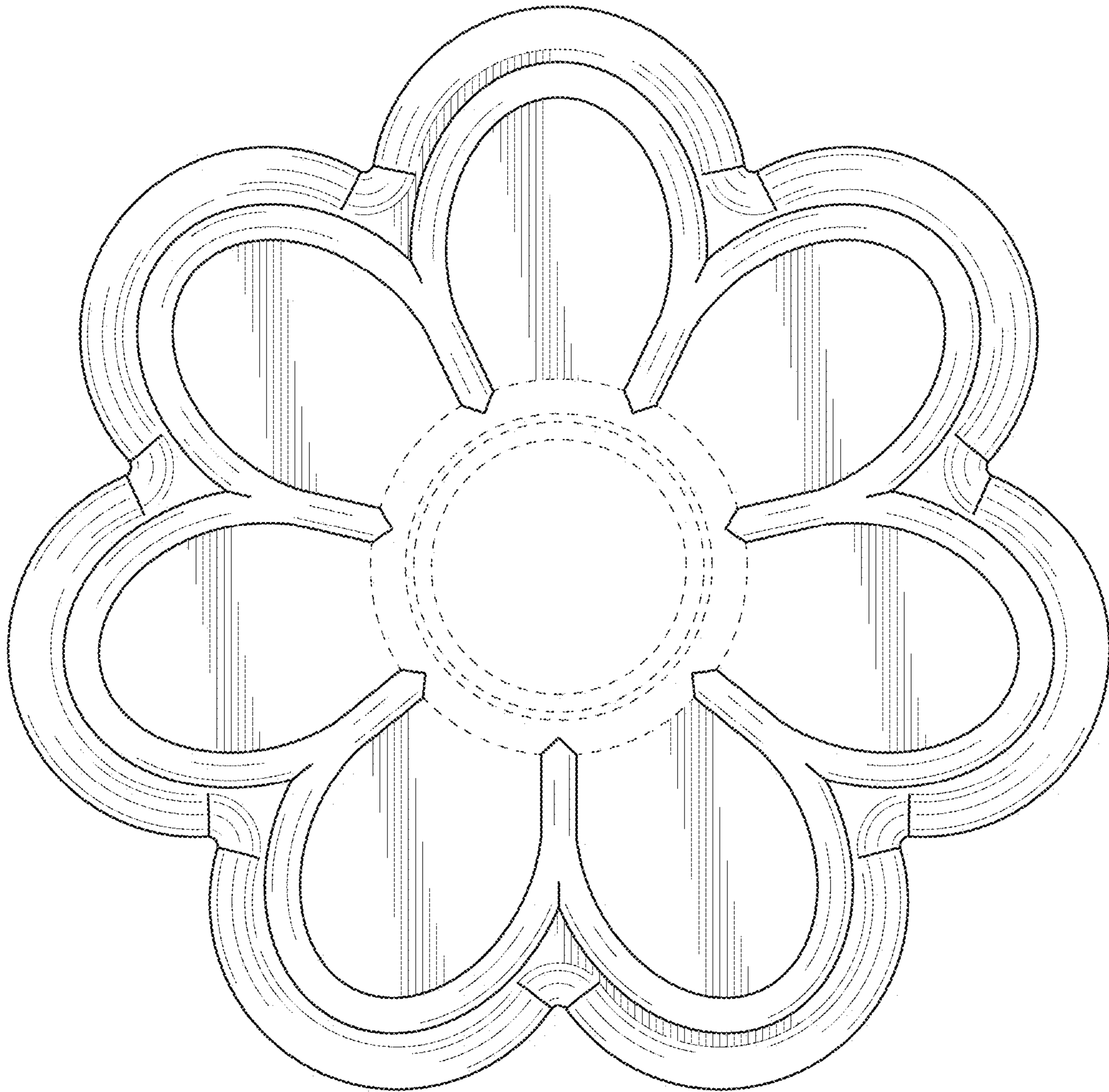


FIG. 4

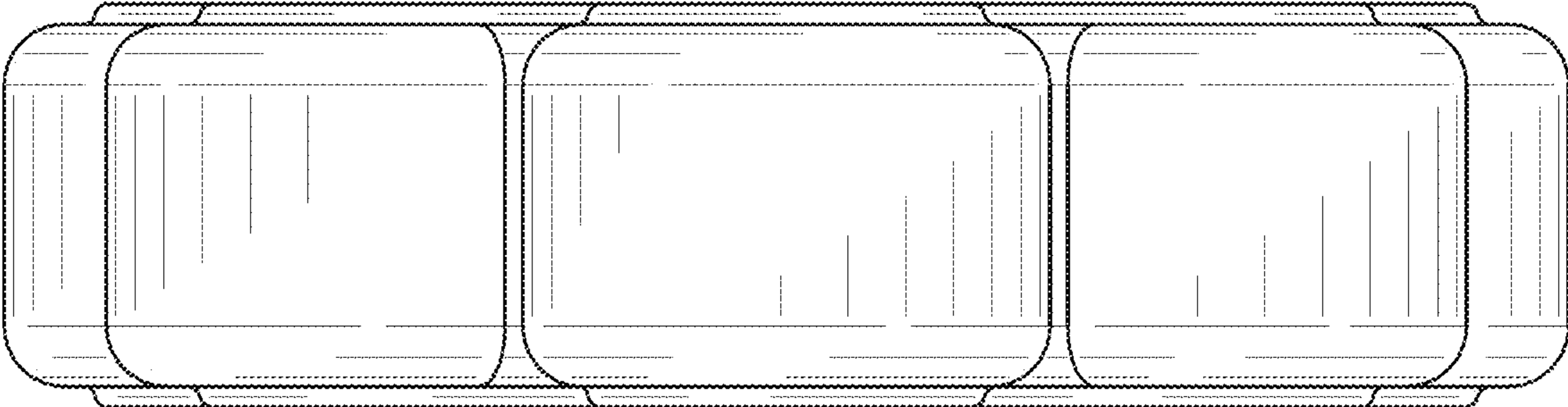


FIG. 6

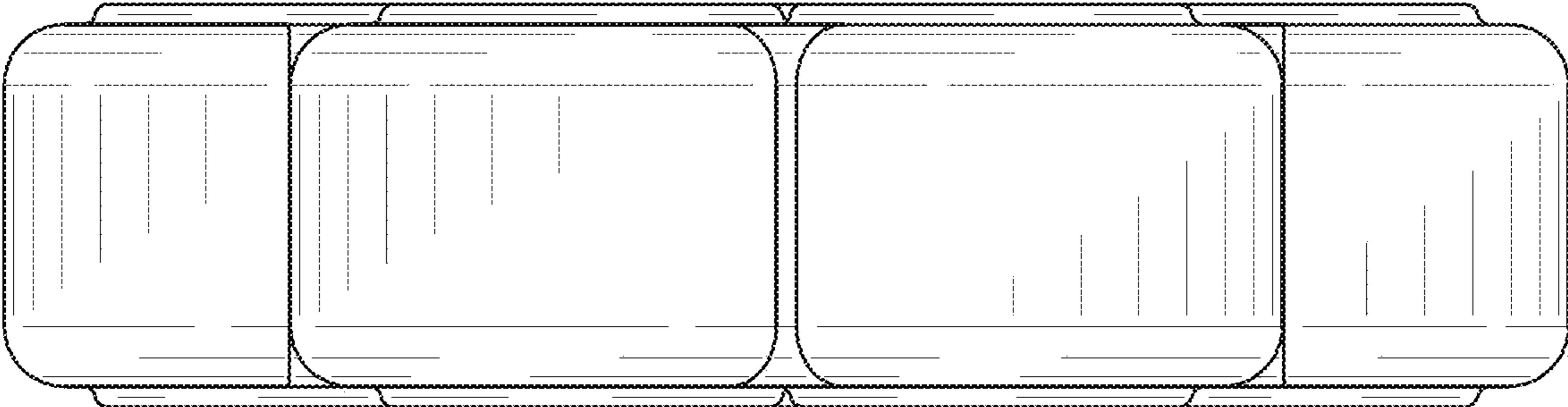


FIG. 7