



US00D992045S

(12) **United States Design Patent**
Roderman

(10) **Patent No.:** **US D992,045 S**
(45) **Date of Patent:** **** Jul. 11, 2023**

(54) **BOW TIE FIDGET DEVICE**
(71) Applicant: **Furka, LLC**, Addison, TX (US)
(72) Inventor: **Brian Lee Roderman**, Plano, TX (US)
(73) Assignee: **Furka, LLC**, Addison, TX (US)
(**) Term: **15 Years**
(21) Appl. No.: **29/781,146**
(22) Filed: **Apr. 28, 2021**
(51) **LOC (14) Cl.** **21-01**
(52) **U.S. Cl.**
USPC **D21/468**
(58) **Field of Classification Search**
USPC D21/398, 468, 483, 498, 474, 372, 386,
D21/405, 487, 490, 492, 493, 388, 404,
D21/460, 470; D24/214
CPC A63H 1/00; A63H 33/00; A63H 33/30;
A63H 1/18; A63H 33/26; G09B 15/06;
A61H 2205/065; A61H 2205/067; A61H
39/04; A63B 23/16
See application file for complete search history.

2009/0256037 A1* 10/2009 Singh A47C 19/022
248/205.6

* cited by examiner

Primary Examiner — Katherine Glennon

Assistant Examiner — Yuan Yuan

(74) *Attorney, Agent, or Firm* — Grady K. Bergen; Griggs
Bergen LLP

(57) **CLAIM**

The ornamental design for a bow tie fidget device, as shown
and described.

DESCRIPTION

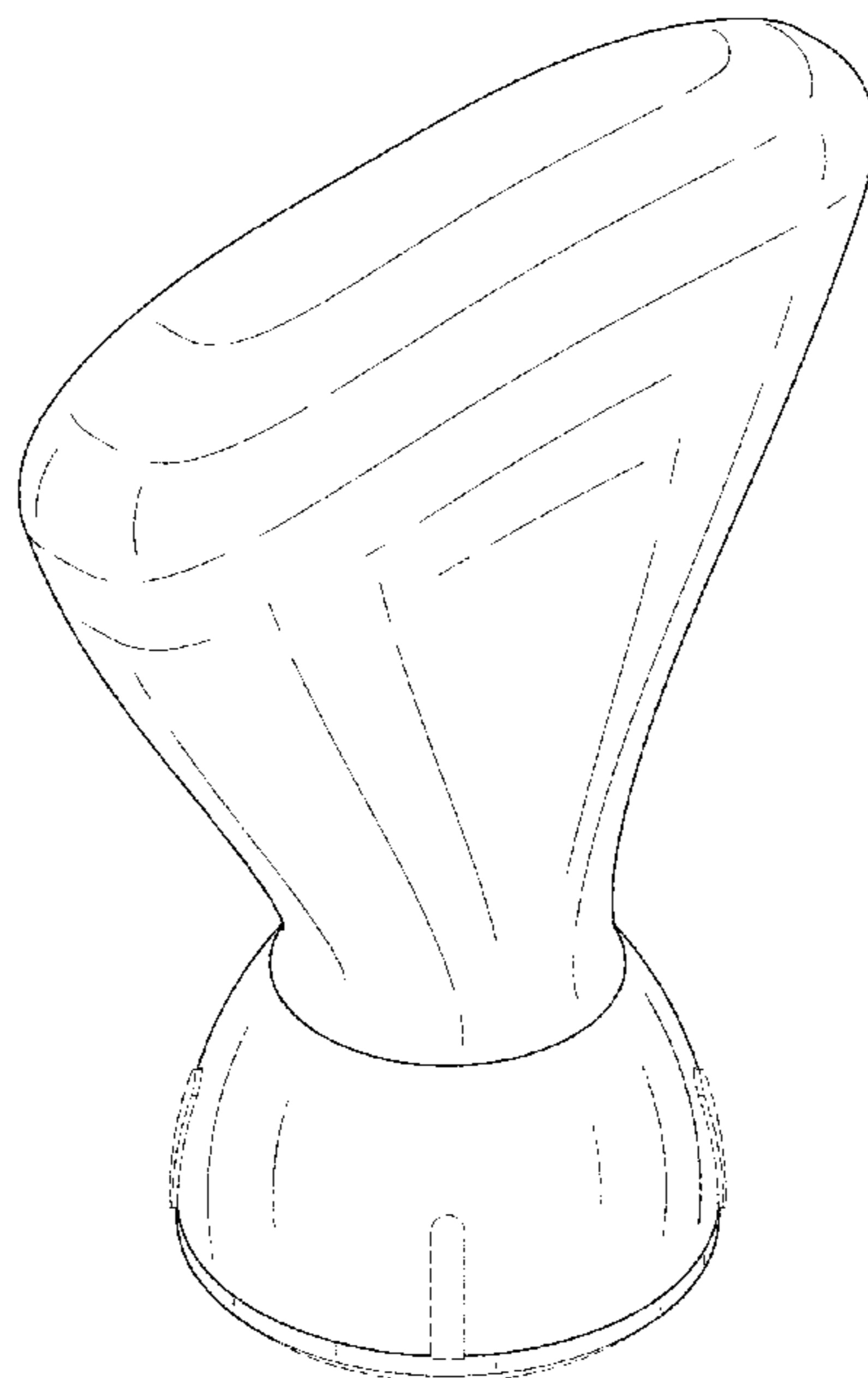
FIG. 1 is a front perspective view of a bow tie fidget device
showing my design;
FIG. 2 is a front elevational view of the bow tie fidget device
of FIG. 1;
FIG. 3 is a rear elevational view of the bow tie fidget device
of FIG. 1;
FIG. 4 is a right-side elevational view of the bow tie fidget
device of FIG. 1;
FIG. 5 is a left-side elevational view of the bow tie fidget
device of FIG. 1;
FIG. 6 is a top plan view of the bow tie fidget device of FIG.
1;
FIG. 7 is a bottom plan view of the bow tie fidget device of
FIG. 1;
FIG. 8 is a perspective view of the bow tie fidget device of
FIG. 1, shown engaged with a similarly configured second
bow tie fidget device in a first mode of operation; and,
FIG. 9 is a perspective view of the bow tie fidget device of
FIG. 8, shown disengaged from the second bow tie fidget
device in a second mode of operation.
The portions shown in broken line do not form part of the
claimed design.

(56) **References Cited**

U.S. PATENT DOCUMENTS

D119,035 S * 2/1940 Lindgren D24/212
D307,646 S * 5/1990 Kingsford D28/76
6,315,698 B1 * 11/2001 Barber A63B 23/16
482/44
D709,559 S * 7/2014 Baumann D21/407
D709,562 S * 7/2014 Baumann D21/407
D727,164 S * 4/2015 Staab D9/635
D760,961 S * 7/2016 Turner D9/635
D788,997 S * 6/2017 Fore D30/145
D865,071 S * 10/2019 Moelmann D21/468
2008/0027364 A1* 1/2008 Moutray A61H 7/001
601/134

1 Claim, 6 Drawing Sheets



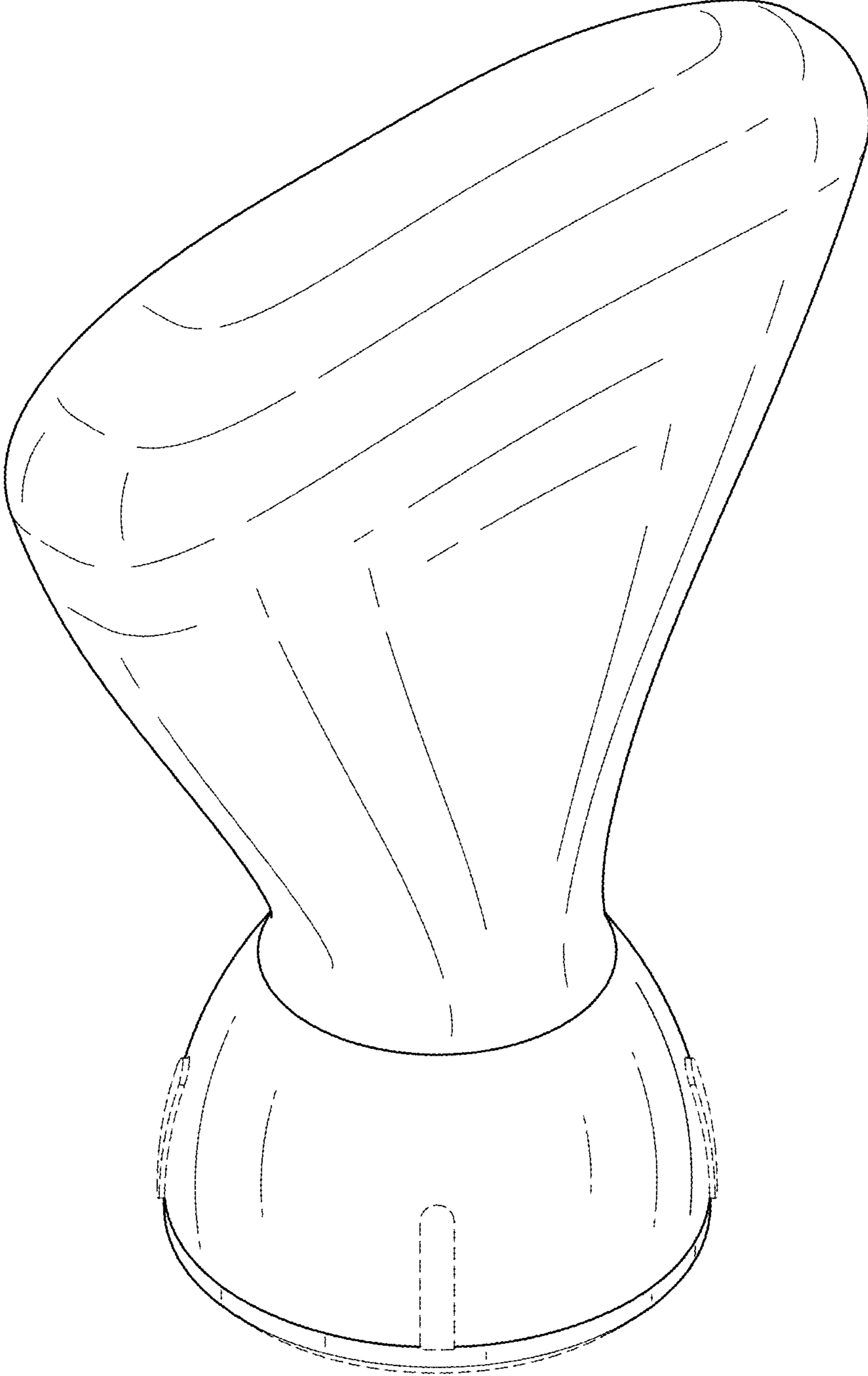


FIG. 1

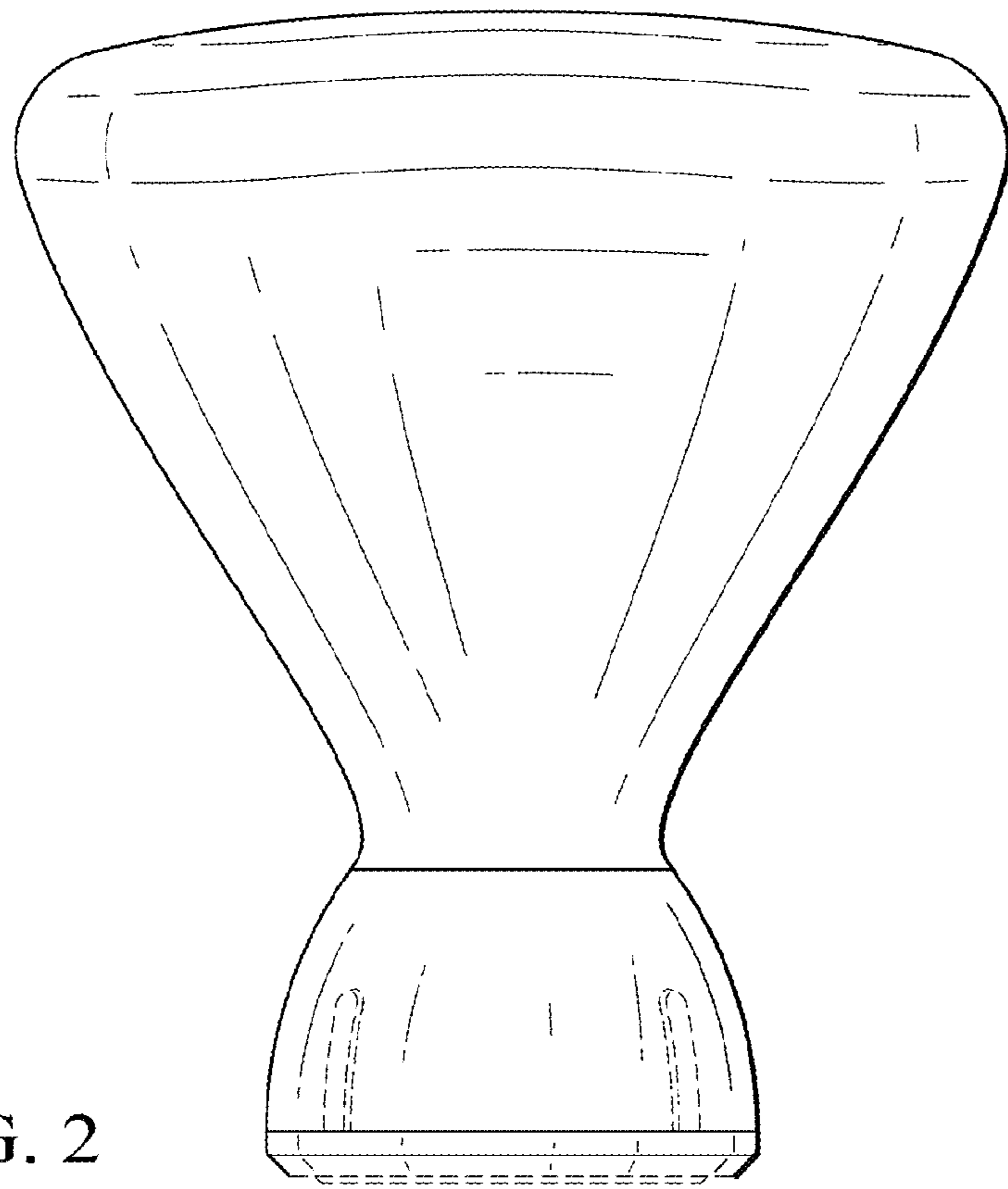


FIG. 2

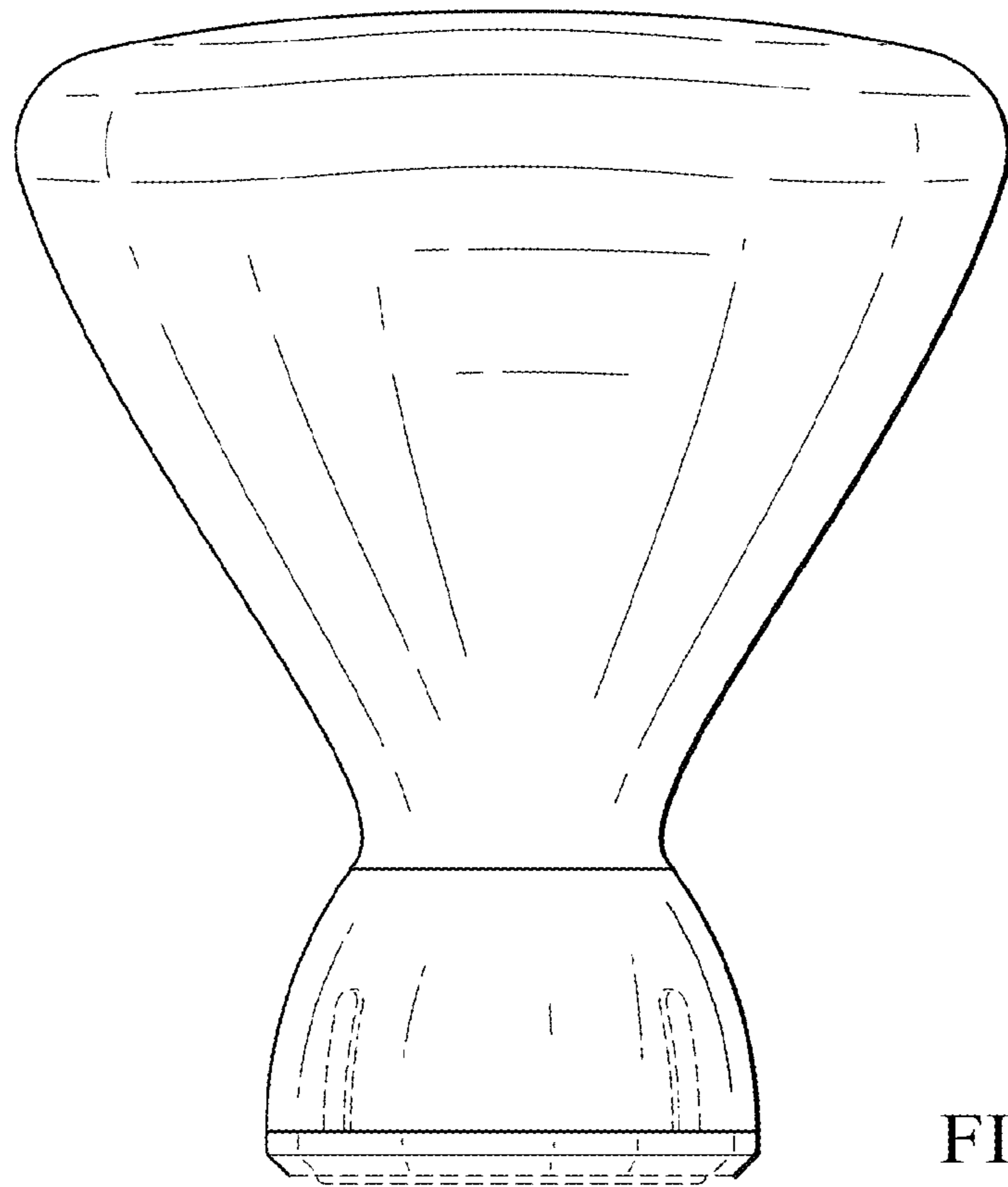


FIG. 3

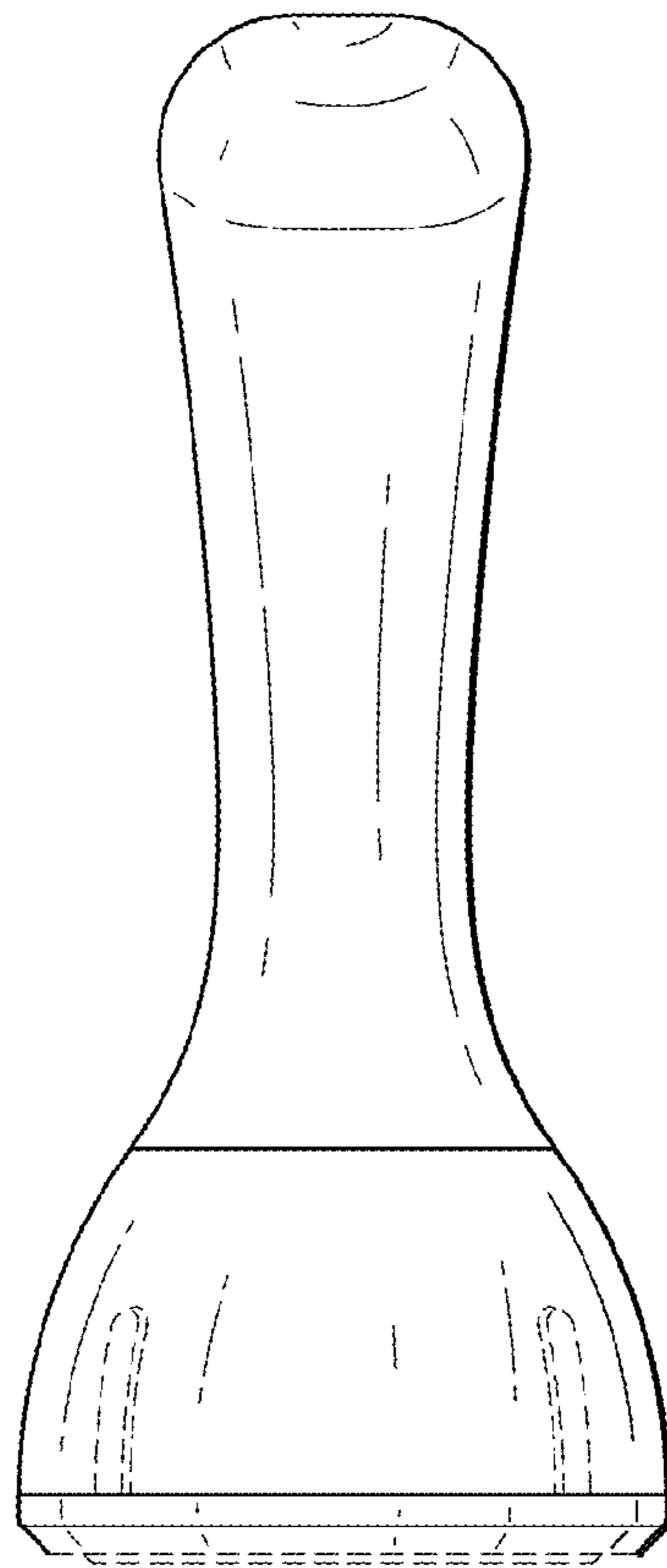


FIG. 4

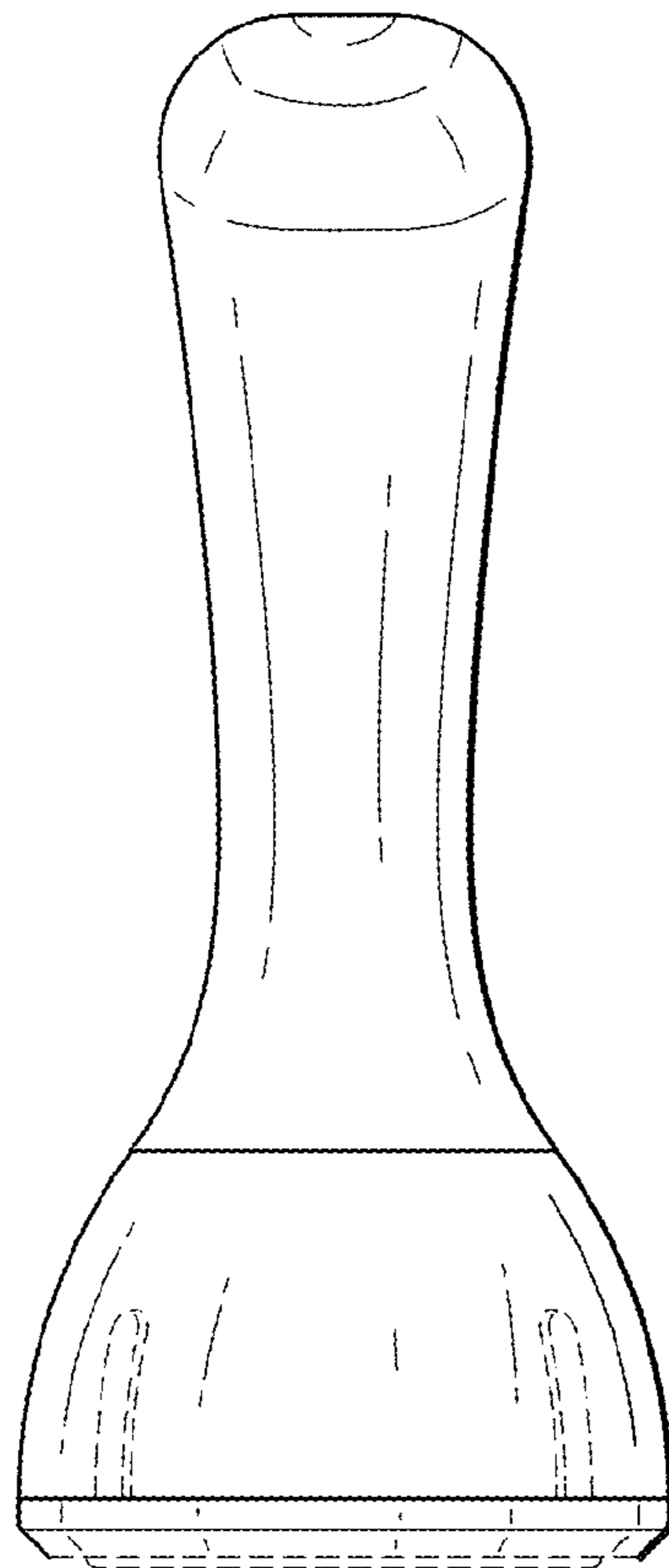


FIG. 5

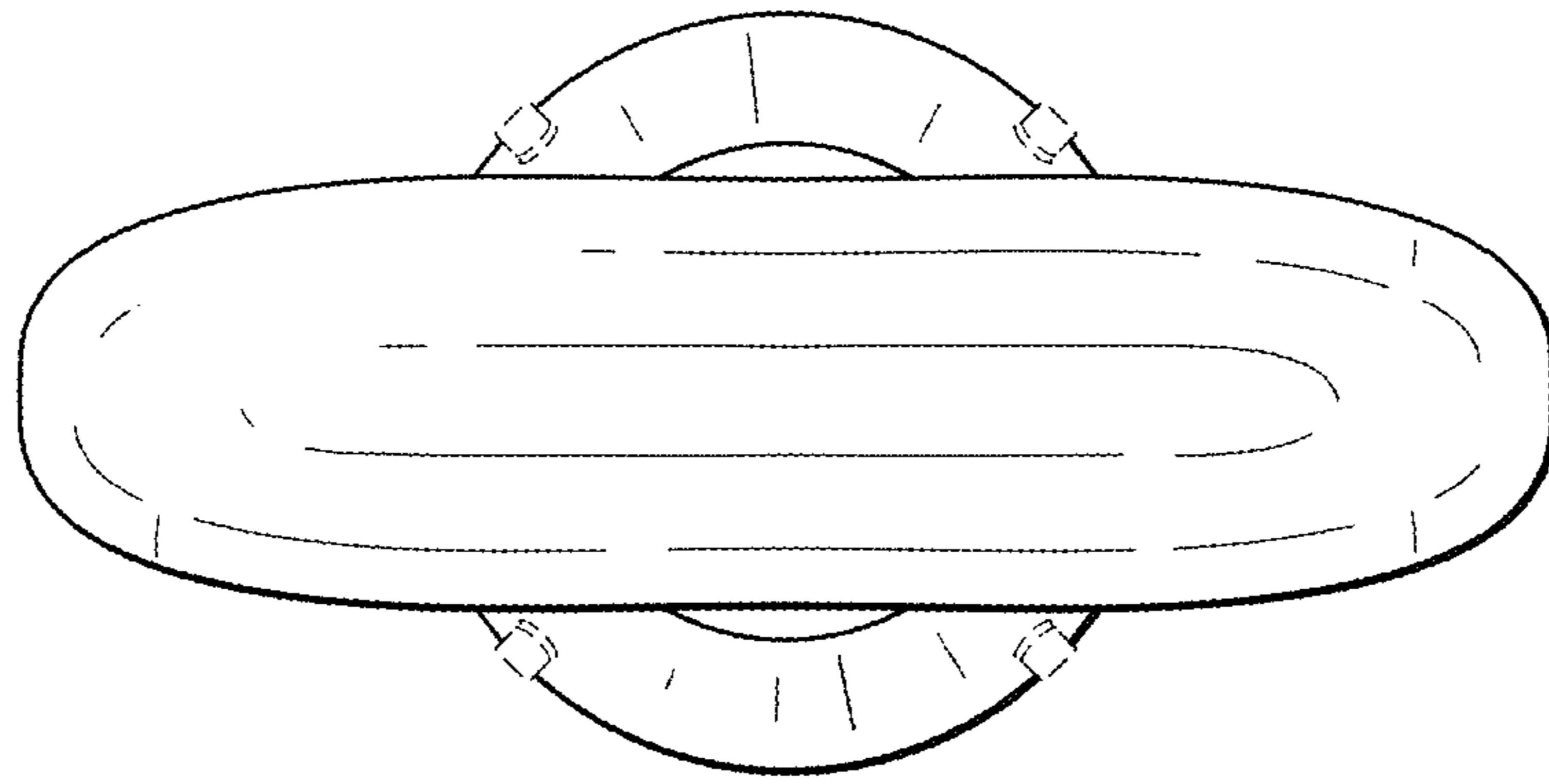


FIG. 6

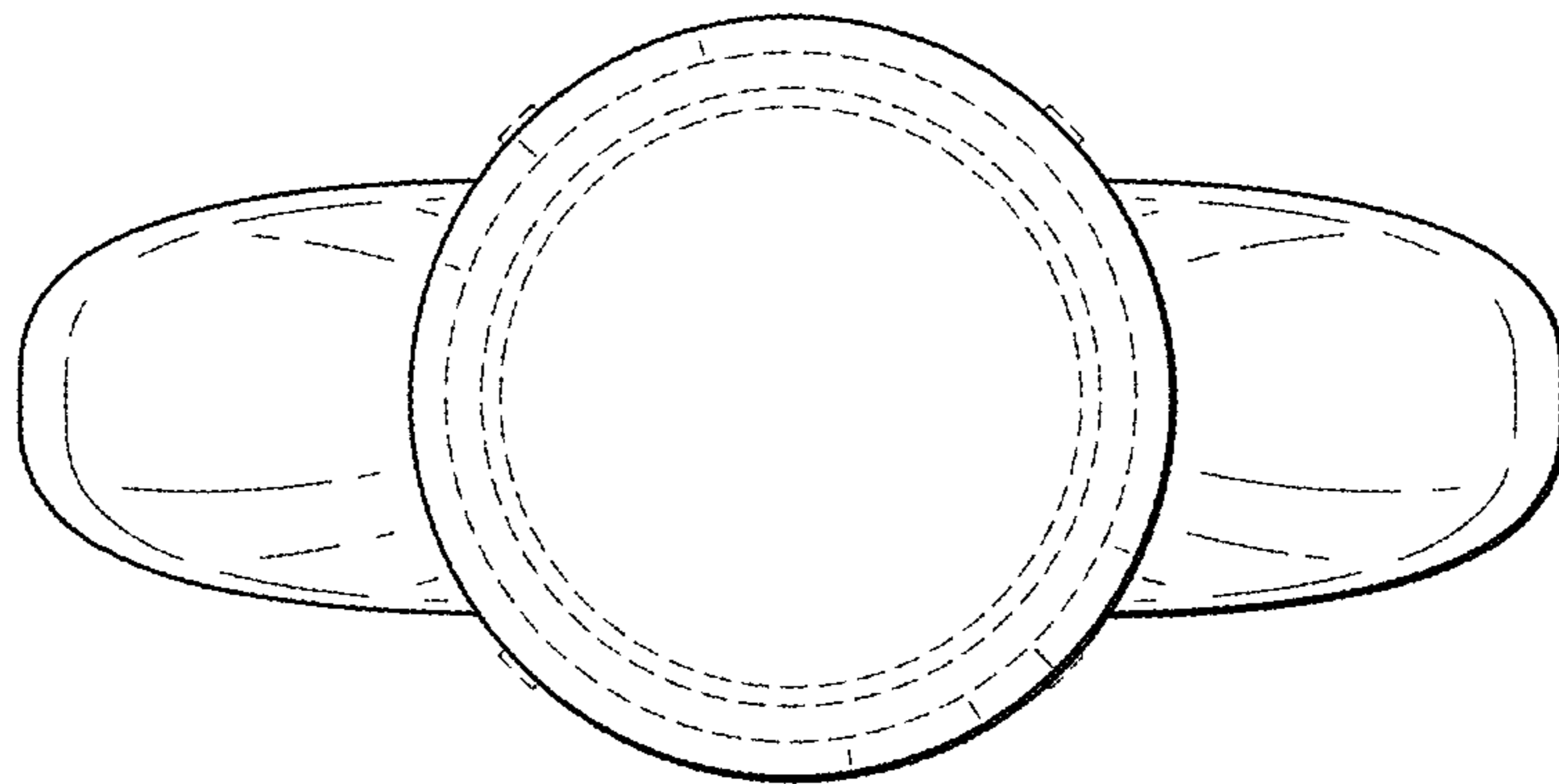


FIG. 7

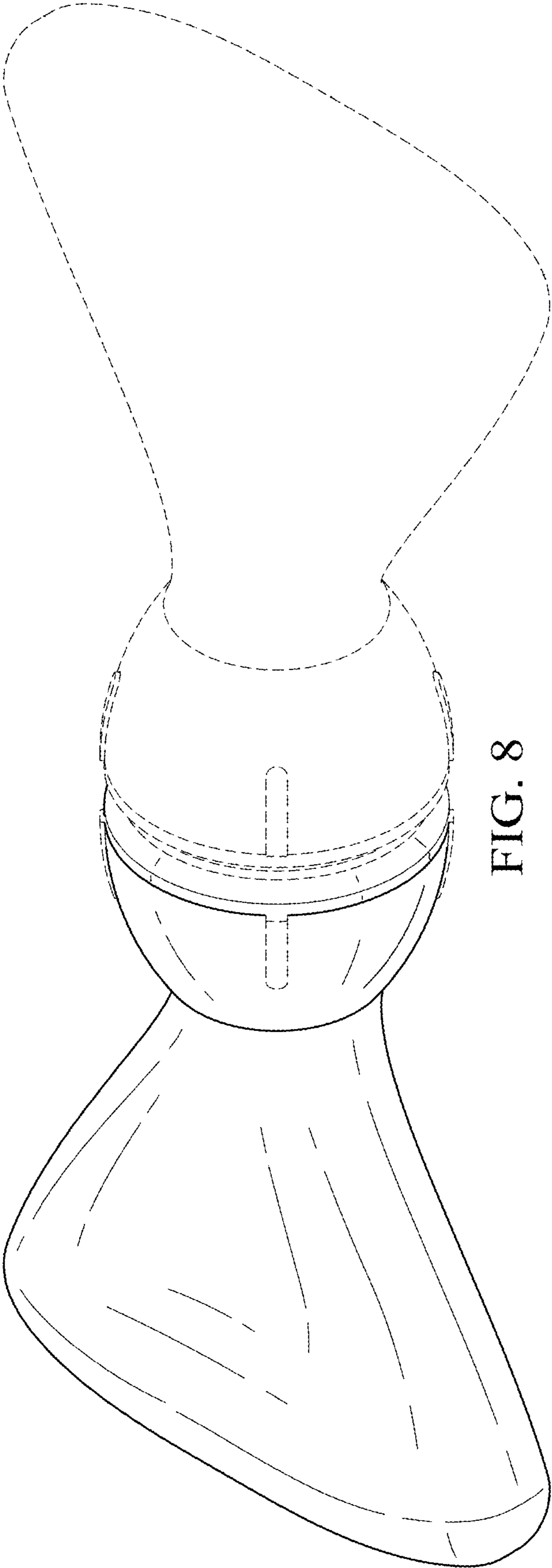


FIG. 8

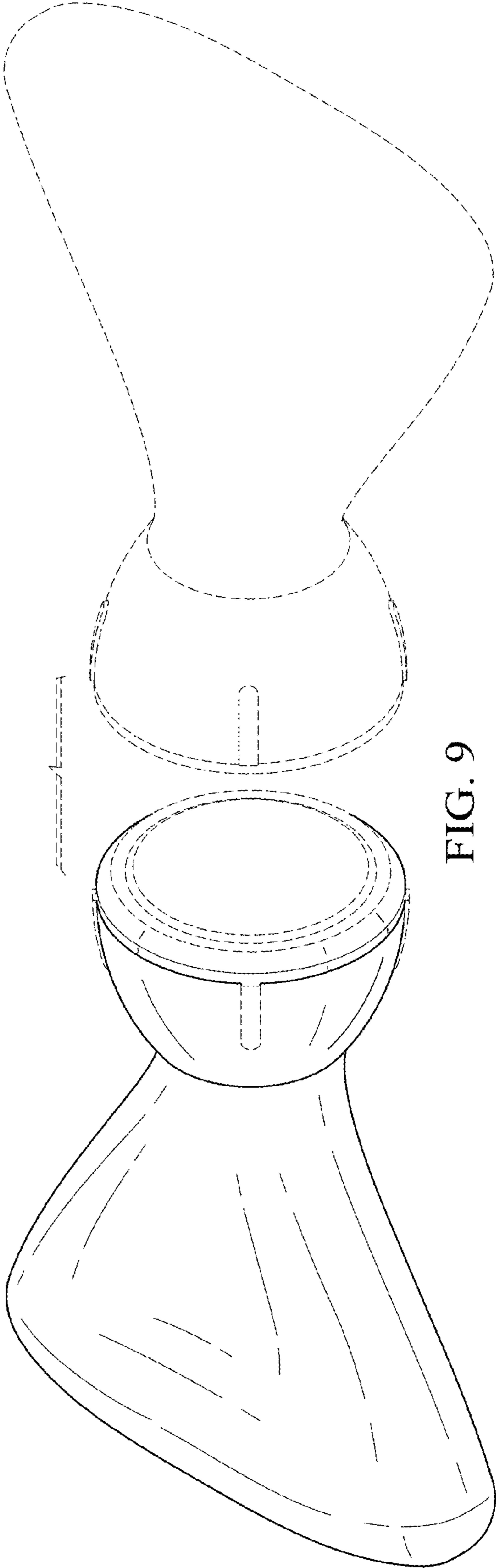


FIG. 9