



US00D992024S

(12) **United States Design Patent**
Walker

(10) **Patent No.:** **US D992,024 S**

(45) **Date of Patent:** **** Jul. 11, 2023**

(54) **DOCUMENT HOLDER**

(71) Applicant: **Kenneth Walker**, Baltimore, MD (US)

(72) Inventor: **Kenneth Walker**, Baltimore, MD (US)

(**) Term: **15 Years**

(21) Appl. No.: **29/732,389**

(22) Filed: **Apr. 23, 2020**

(51) **LOC (14) Cl.** **19-02**

(52) **U.S. Cl.**
USPC **D19/86**

(58) **Field of Classification Search**
USPC D19/65, 75, 86, 88, 90, 91; D6/310, 311,
D6/312; D3/247
CPC B42D 5/005; B42D 5/006; B42D 5/007;
A47B 23/044; B43M 99/00; B43M
99/001; B43M 99/006; A44C 3/001;
G09F 3/207; G09F 3/185; B42F 7/06;
A45C 11/182; A45C 1/06

See application file for complete search history.

(56) **References Cited**

U.S. PATENT DOCUMENTS

3,295,235	A *	1/1967	Tauber	G09F 3/185 224/230
3,371,829	A *	3/1968	Phillips	G09F 3/185 283/77
D252,355	S *	7/1979	Uber	D3/226
4,259,797	A *	4/1981	Belser	A44C 3/001 40/1.5
D263,095	S *	2/1982	Wajs	D3/299
D264,895	S *	6/1982	Hoefert	D3/303
4,509,277	A *	4/1985	Bolton	G09F 3/207 40/1.5
4,570,688	A *	2/1986	Williams	A45C 1/06 224/604
D340,805	S *	11/1993	Bates	D3/230

D380,009	S *	6/1997	Pycher	A45C 11/182 D19/86
5,913,540	A *	6/1999	Ong	B42F 7/06 281/31
D475,526	S *	6/2003	Gillespie	D3/247
D503,535	S *	4/2005	Kraft	D3/227
D511,794	S *	11/2005	Lucas	D19/86
D641,551	S *	7/2011	Deinert	D3/247

* cited by examiner

Primary Examiner — Garth Rademaker

Assistant Examiner — Laura H Yu

(57) **CLAIM**

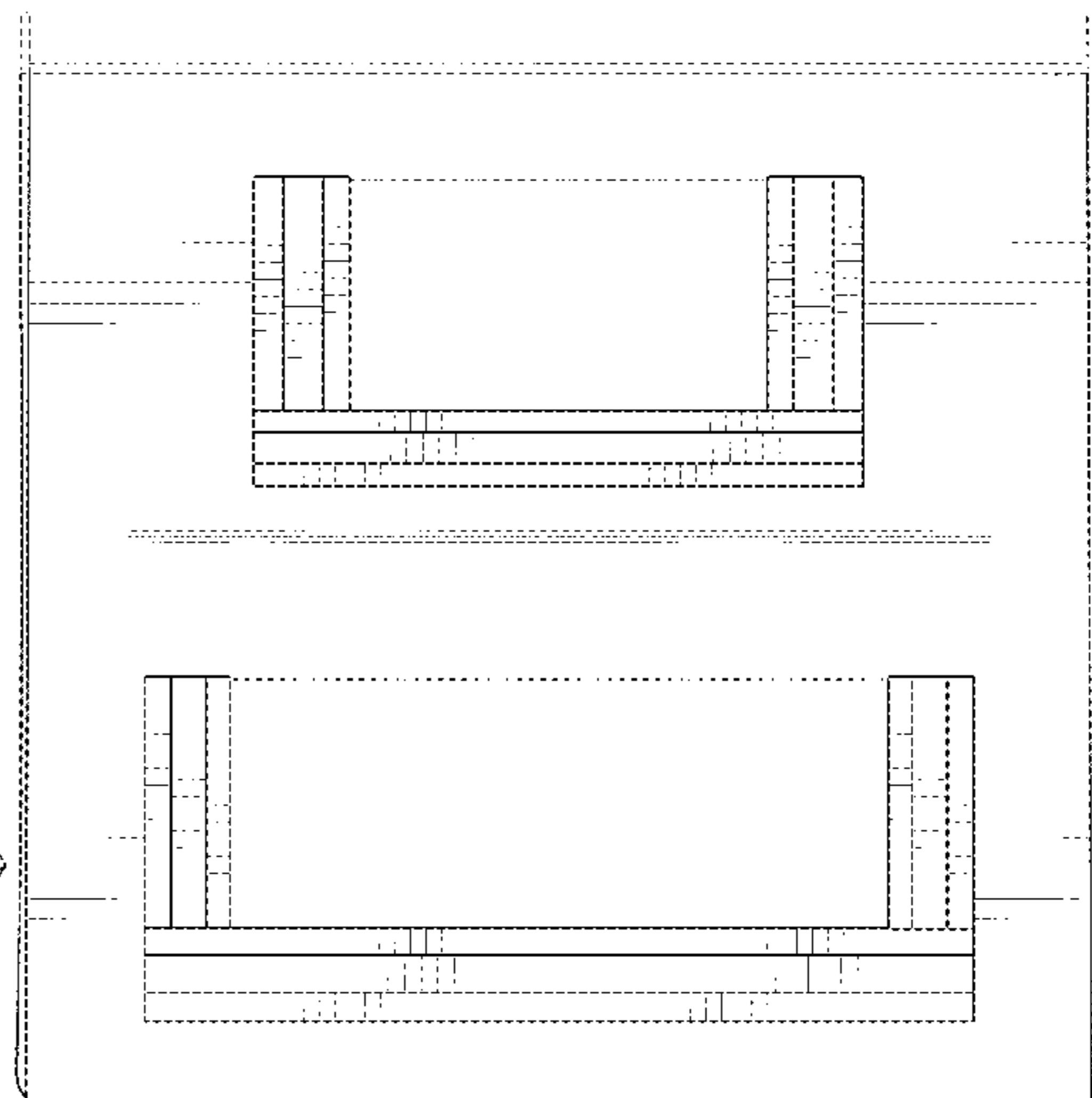
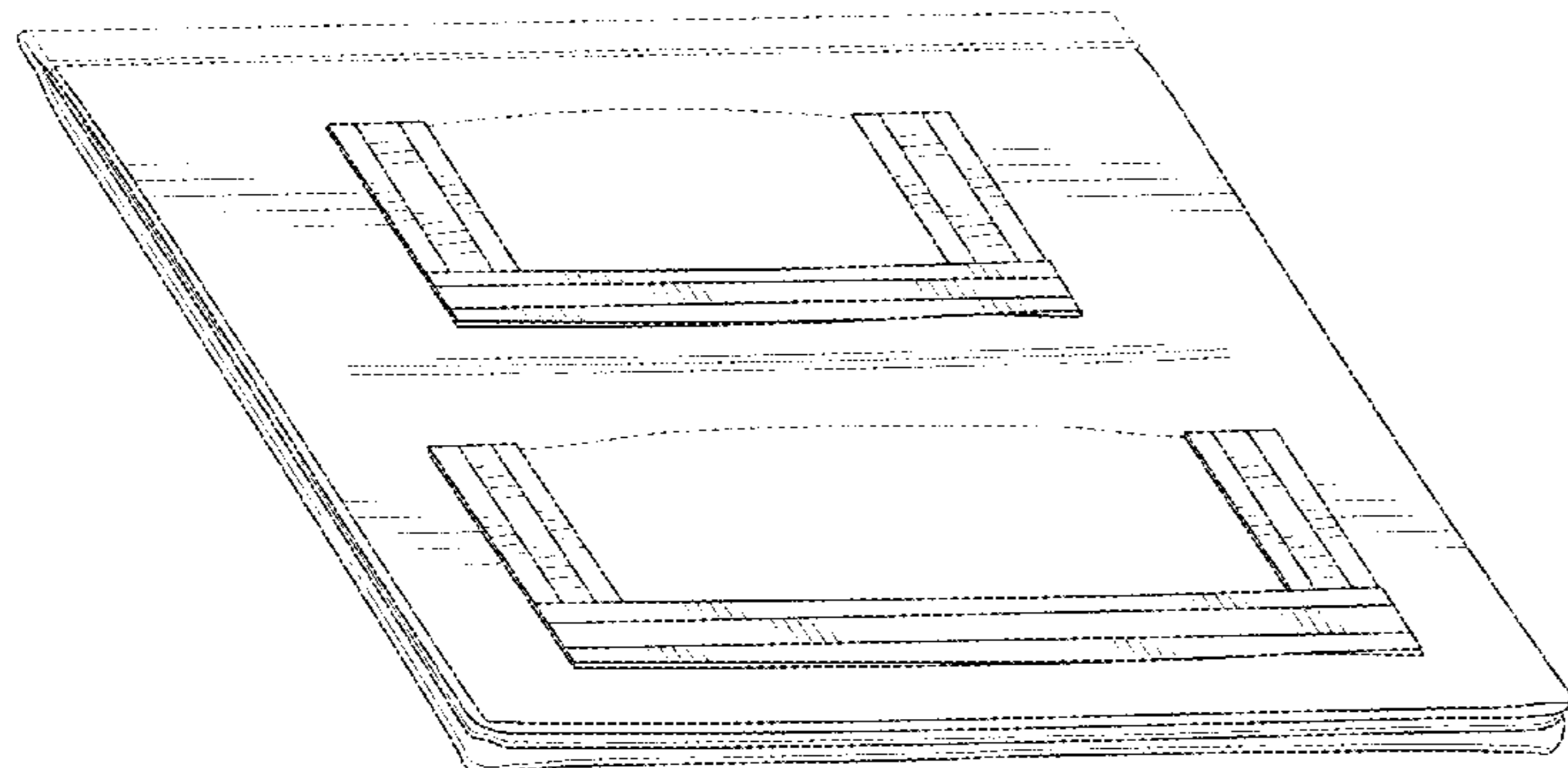
The ornamental design for a document holder, as shown and described.

DESCRIPTION

FIG. 1 is a front-top perspective view of a document holder showing my new design;
 FIG. 2 is a front-bottom perspective view thereof;
 FIG. 3 is a rear-top perspective view thereof;
 FIG. 4 is a rear-bottom perspective view thereof;
 FIG. 5 is a rear elevational view thereof;
 FIG. 6 is a front elevational view thereof;
 FIG. 7 is a right side elevational view thereof;
 FIG. 8 is a left side elevational view thereof;
 FIG. 9 is a top plan view thereof; and,
 FIG. 10 is a bottom plan view thereof.

The evenly spaced dotted lines showing in FIGS. 1, 2, and 6 represent stitching and forms part of the claimed design. The remaining evenly spaced dashed broken lines in FIGS. 1-4 and 6-9 are included for the purpose of showing portions of the document holder that form no part of the claimed design.

1 Claim, 10 Drawing Sheets



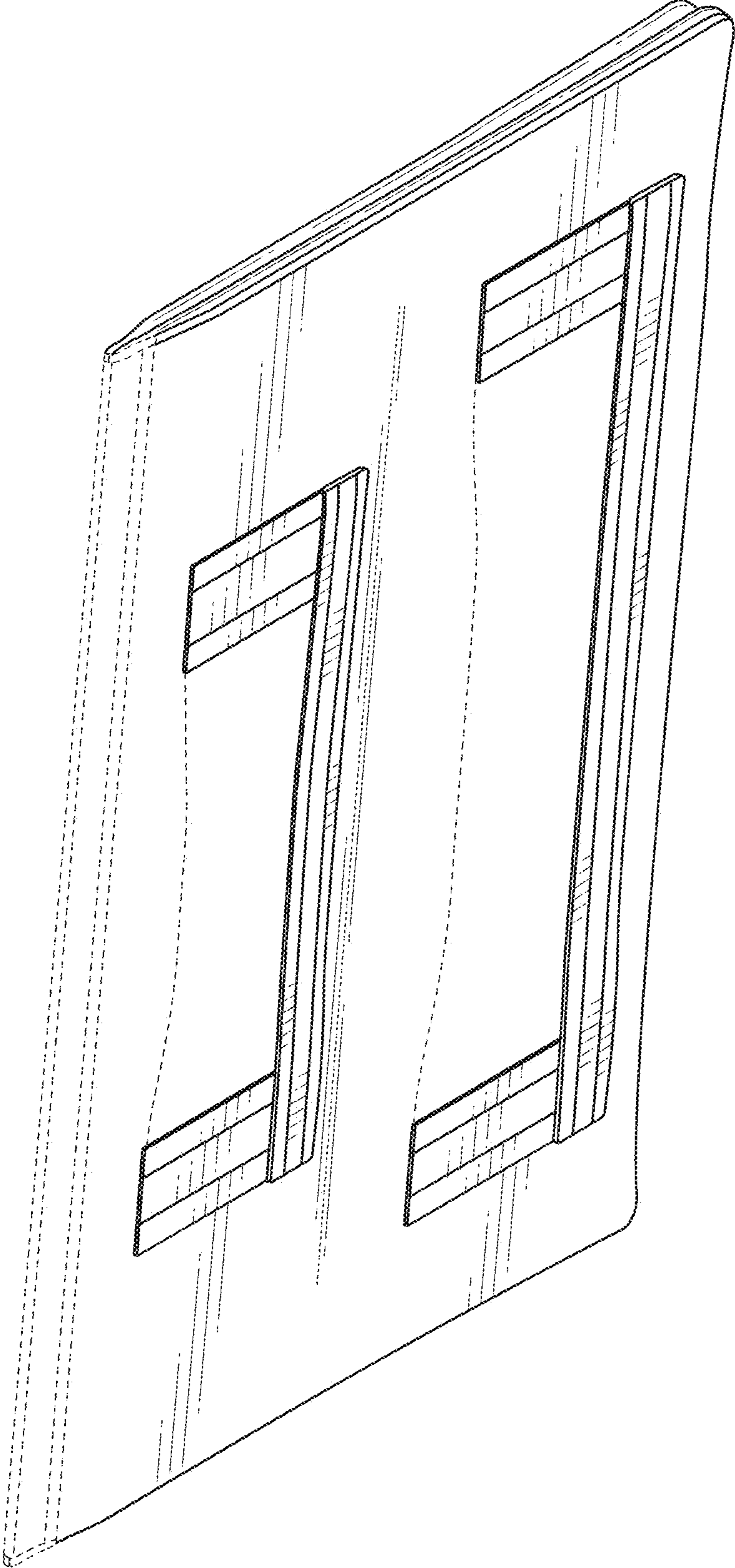


FIG. 1

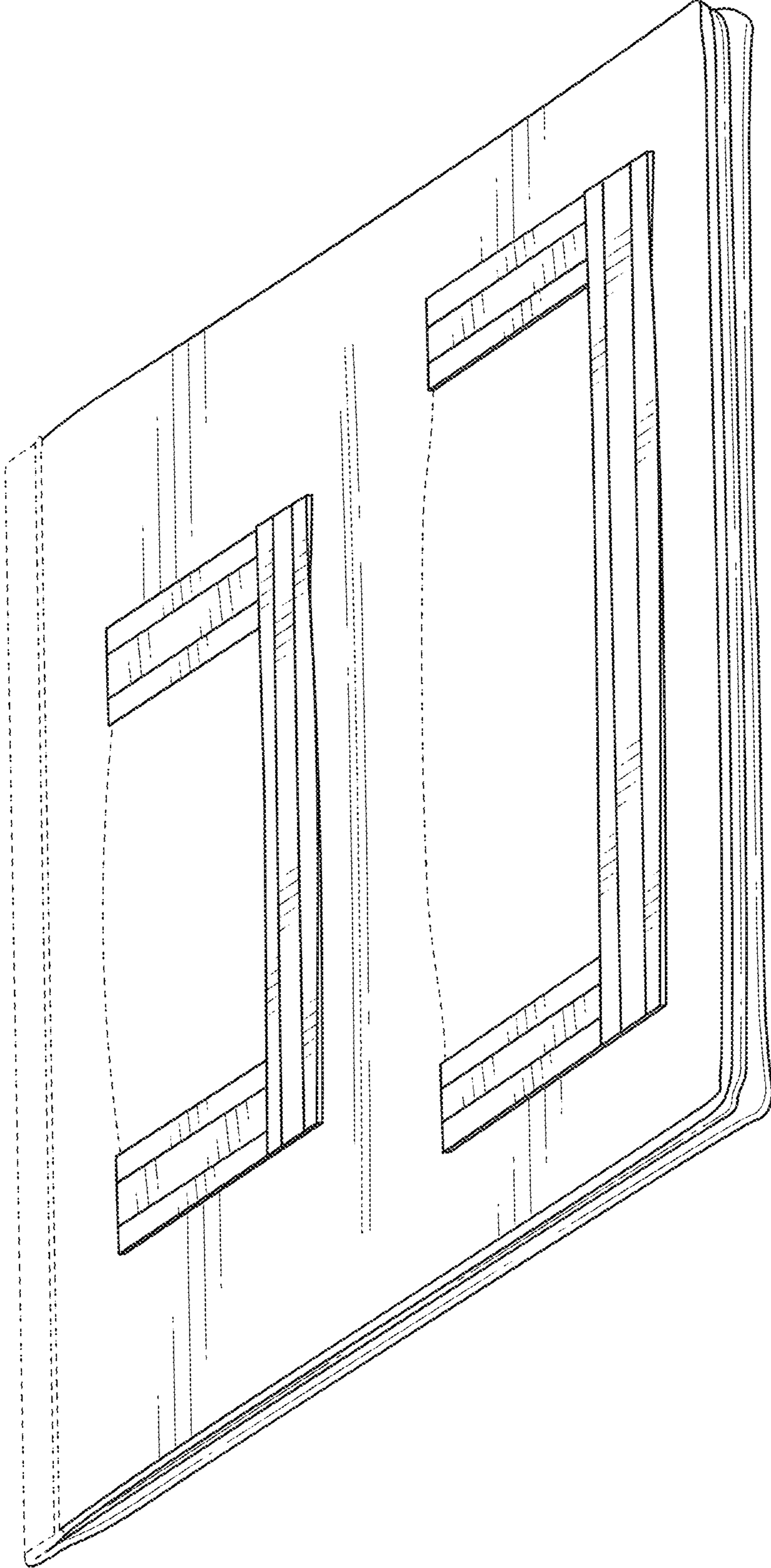


FIG. 2

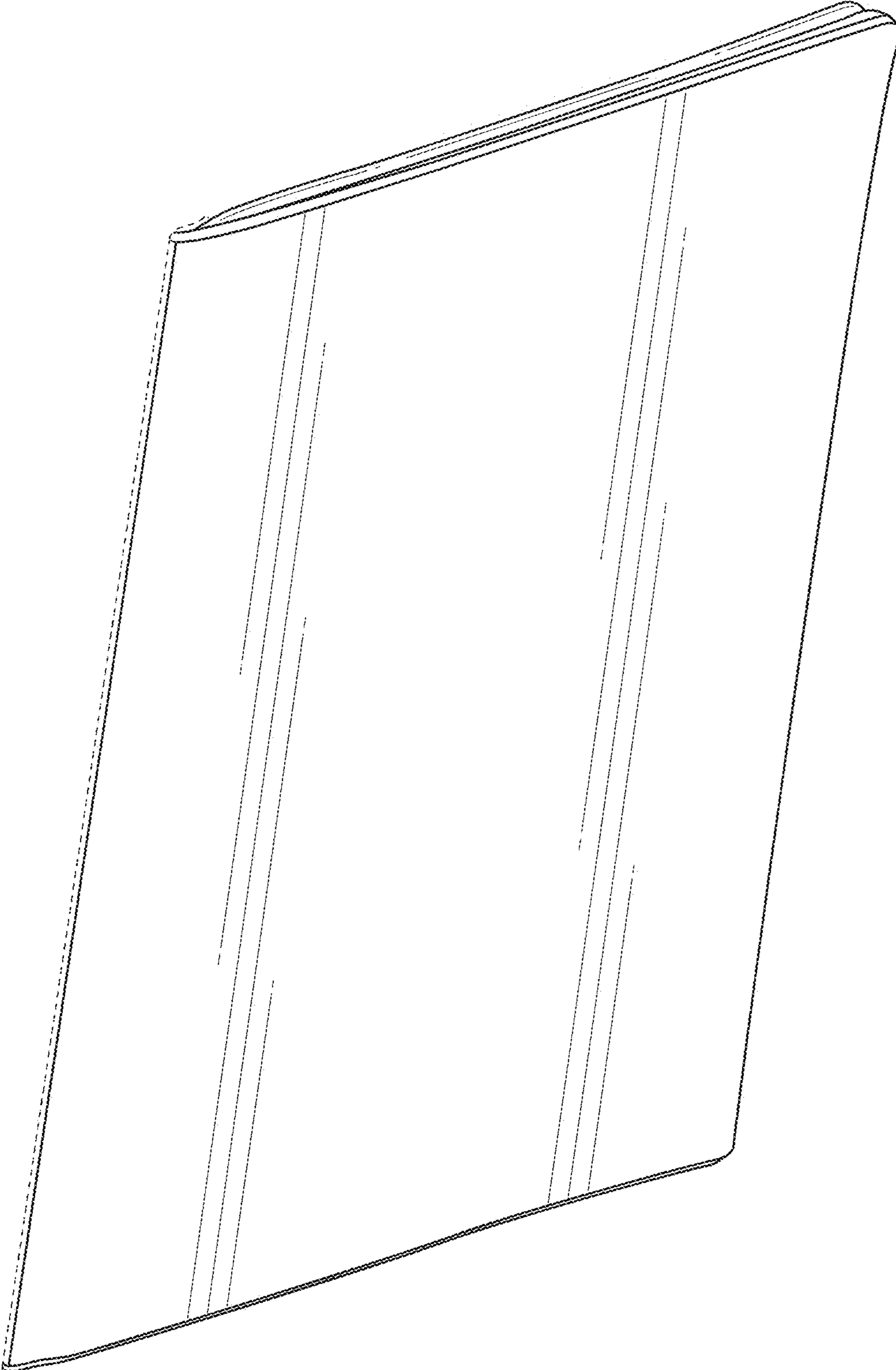


FIG. 3

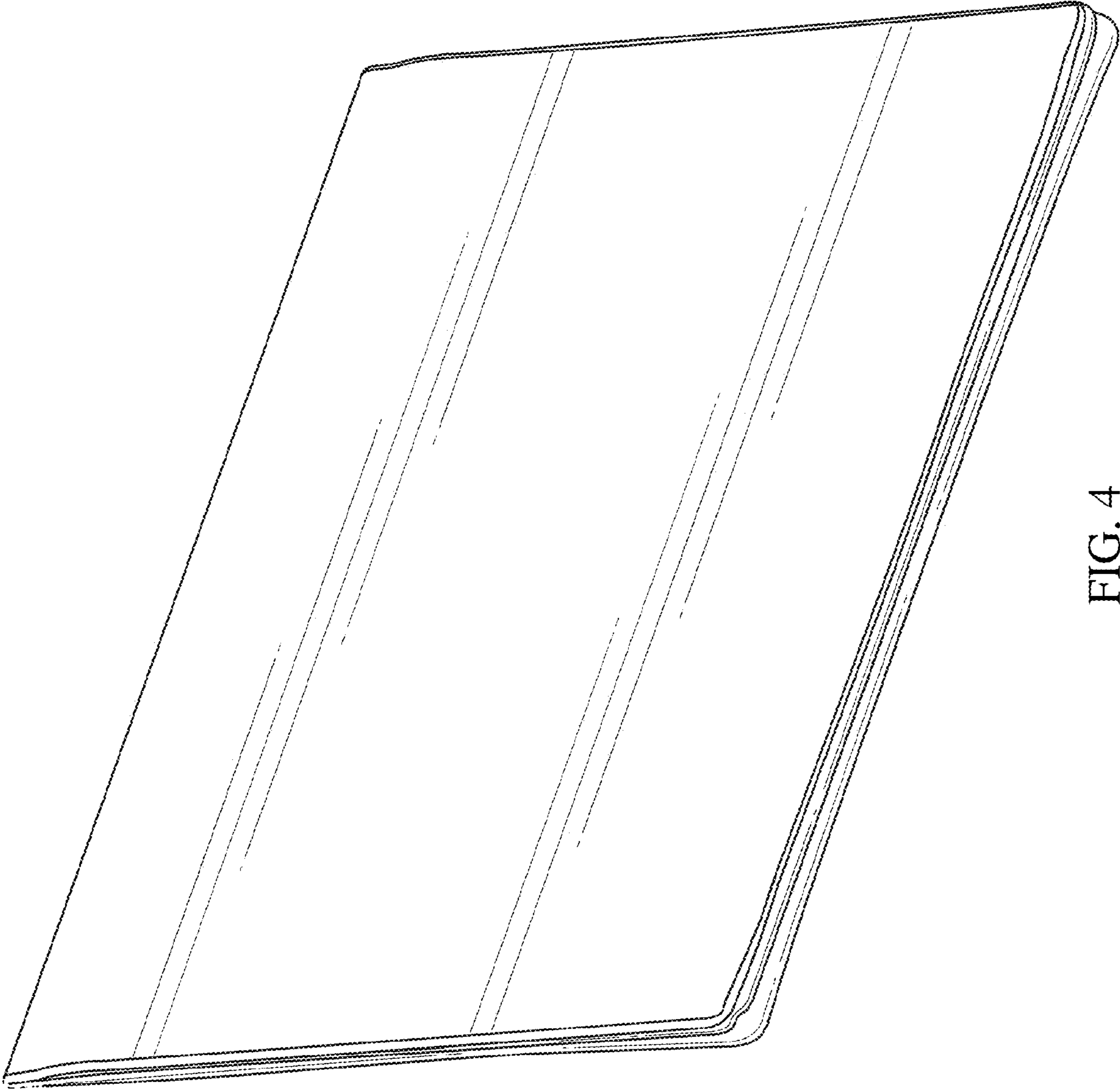


FIG. 4

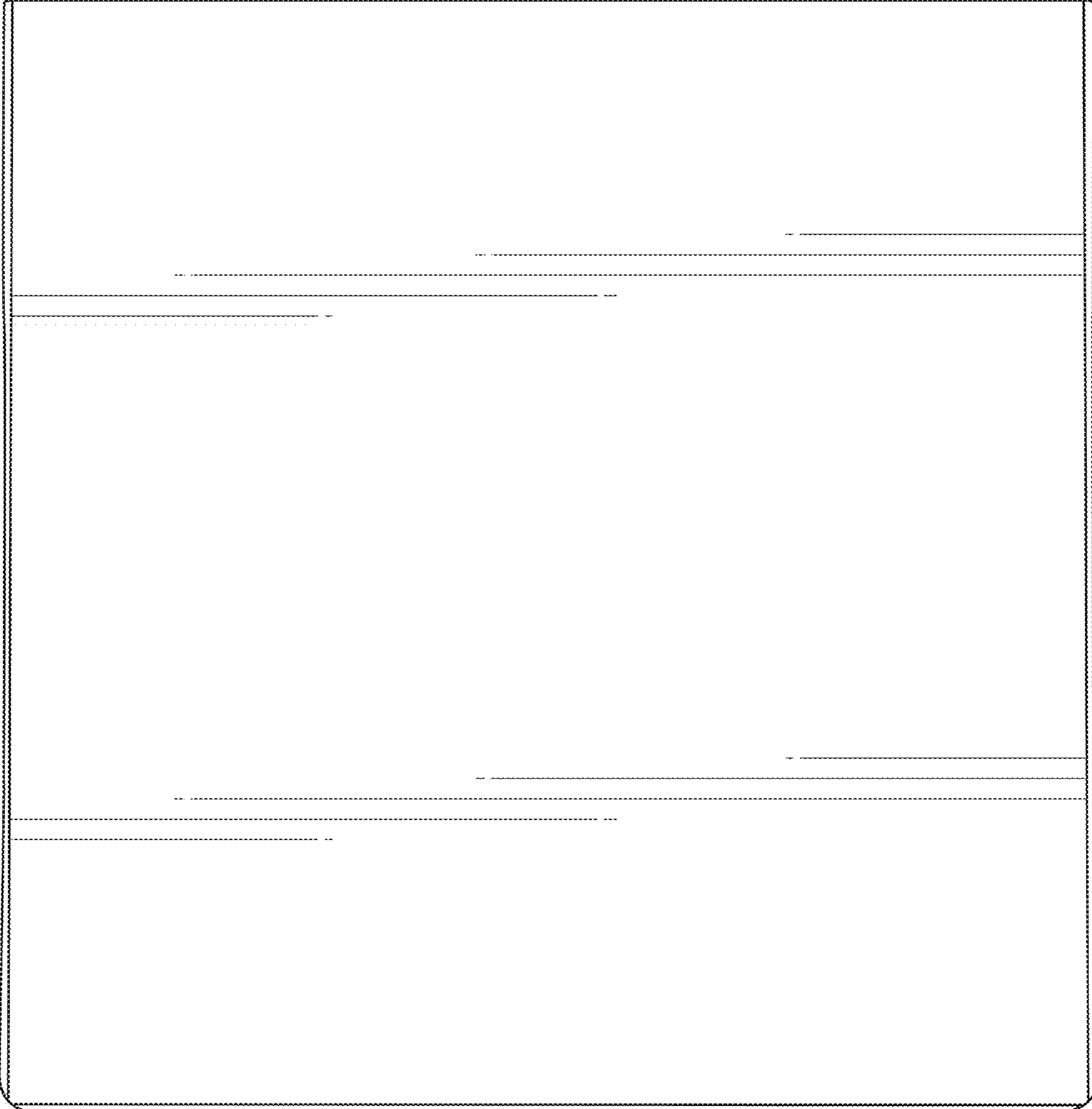


FIG. 5

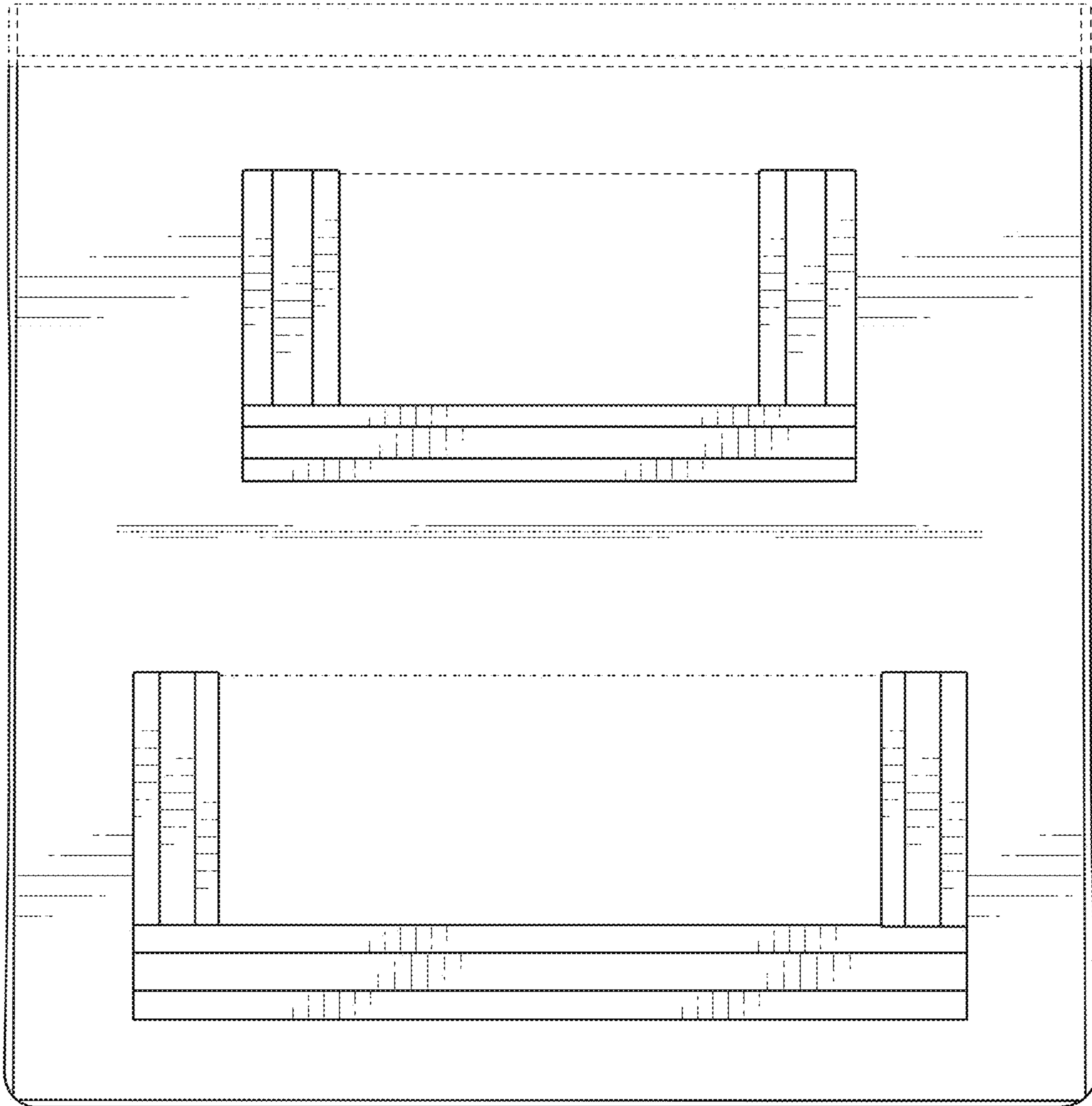


FIG. 6

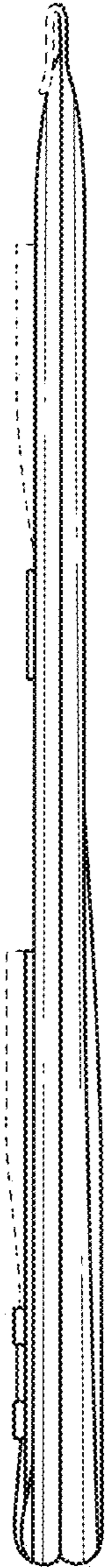


FIG. 7

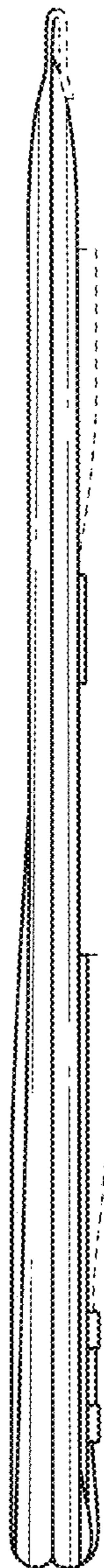


FIG. 8

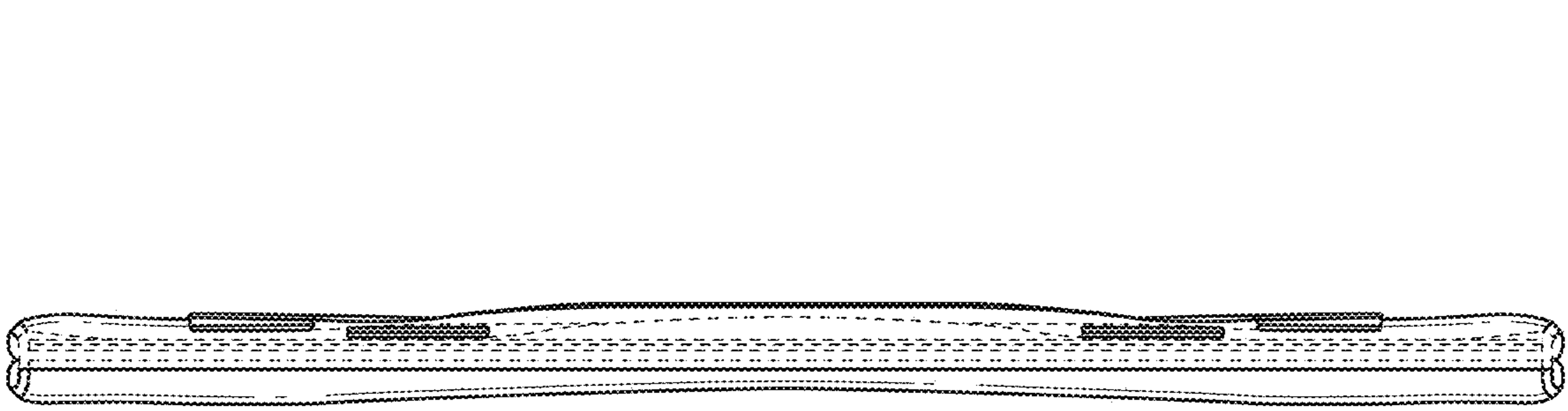


FIG. 9

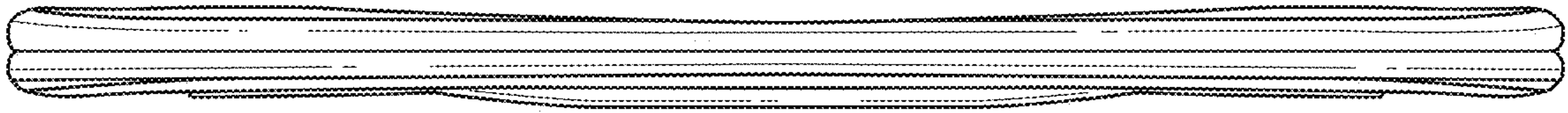


FIG. 10