

US00D991982S

(12) **United States Design Patent** (10) **Patent No.:** **US D991,982 S**
Tanaka et al. (45) **Date of Patent:** **** Jul. 11, 2023**

(54) CASING COVER FOR PUMP	D659,715 S * 5/2012 Seidel D15/7
	D659,718 S * 5/2012 Seidel D15/9
(71) Applicant: Tsurumi Manufacturing Co., Ltd. , Osaka (JP)	D700,213 S * 2/2014 Taniguchi D15/7
	D700,214 S * 2/2014 Taniguchi D15/7
	D700,624 S * 3/2014 Taniguchi D15/7
(72) Inventors: Hiroyuki Tanaka , Osaka (JP); Ryo Yamasaki , Kochi (JP)	D744,003 S * 11/2015 Ton D15/7
	D788,178 S * 5/2017 Theiss D15/7
	D847,863 S * 5/2019 Kidd D15/7
	D857,061 S * 8/2019 Huang D15/7
(**) Term: 15 Years	D890,212 S * 7/2020 Green D15/7
	D907,067 S * 1/2021 Rosamilia F04D 7/04
(21) Appl. No.: 29/791,000	D954,111 S * 6/2022 Torimoto F04D 3/00
	D954,751 S * 6/2022 Tanaka F02M 37/14
(22) Filed: Dec. 23, 2021	D15/7

Related U.S. Application Data

(62) Division of application No. 35/509,903, filed on Jun. 24, 2020 (U.S. filing date under 35 U.S.C. 384), and having an international filing date of Jun. 24, 2020, now Pat. No. Des. 954,751.

(51) **LOC (14) Cl.** **15-02**
(52) **U.S. Cl.**
USPC **D15/7**
CPC **F02M 37/14** (2013.01)

(58) **Field of Classification Search**
USPC D15/7-9
CPC F04D 7/04; F04D 29/708; F02M 37/04;
F02M 37/14; F04B 53/92; F04B 1/005
See application file for complete search history.

(56) **References Cited**

U.S. PATENT DOCUMENTS

D209,876 S *	1/1968	King	D15/7
D223,686 S *	5/1972	Sadler et al.	D15/7
4,856,971 A *	8/1989	Koble, Jr.	F04D 29/708
				415/206
D382,882 S *	8/1997	Parker	D15/7

* cited by examiner

Primary Examiner — Richard E Chilcot
(74) *Attorney, Agent, or Firm* — Cionca IP Law P.C.;
Marin Cionca

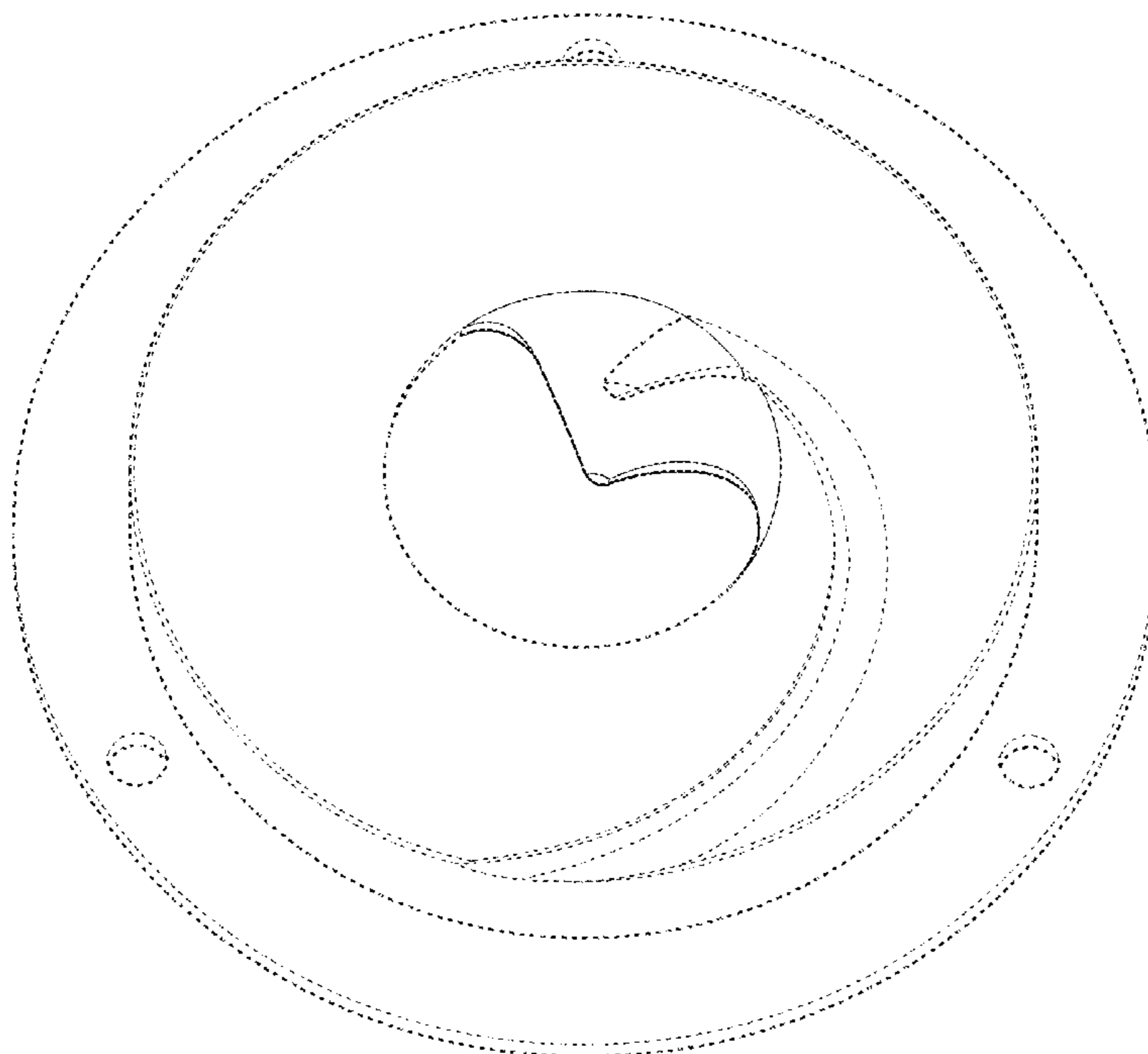
(57) **CLAIM**

The ornamental design for a casing cover for pump, as shown and described.

DESCRIPTION

FIG. 1 is a front, top perspective view of a casing cover for pump showing the new design;
FIG. 2 is a rear, top perspective view thereof;
FIG. 3 is a front, bottom perspective view thereof;
FIG. 4 is a rear, bottom perspective view thereof;
FIG. 5 is a front, top plan view thereof; and,
FIG. 6 is a front, bottom plan view thereof.
The broken lines and unshaded surfaces bounded by broken lines form no part of the claimed design.

1 Claim, 6 Drawing Sheets



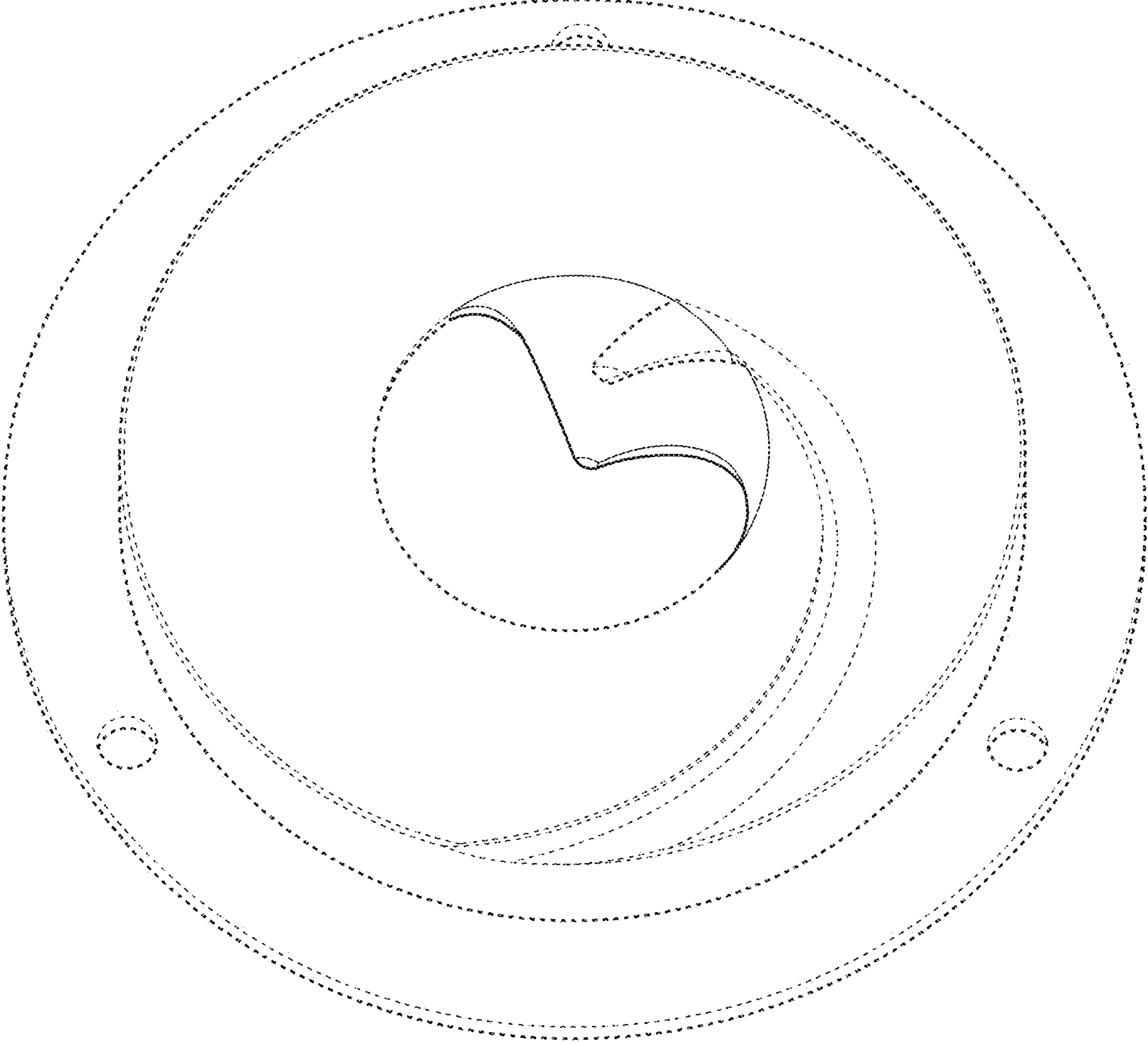


FIG. 1

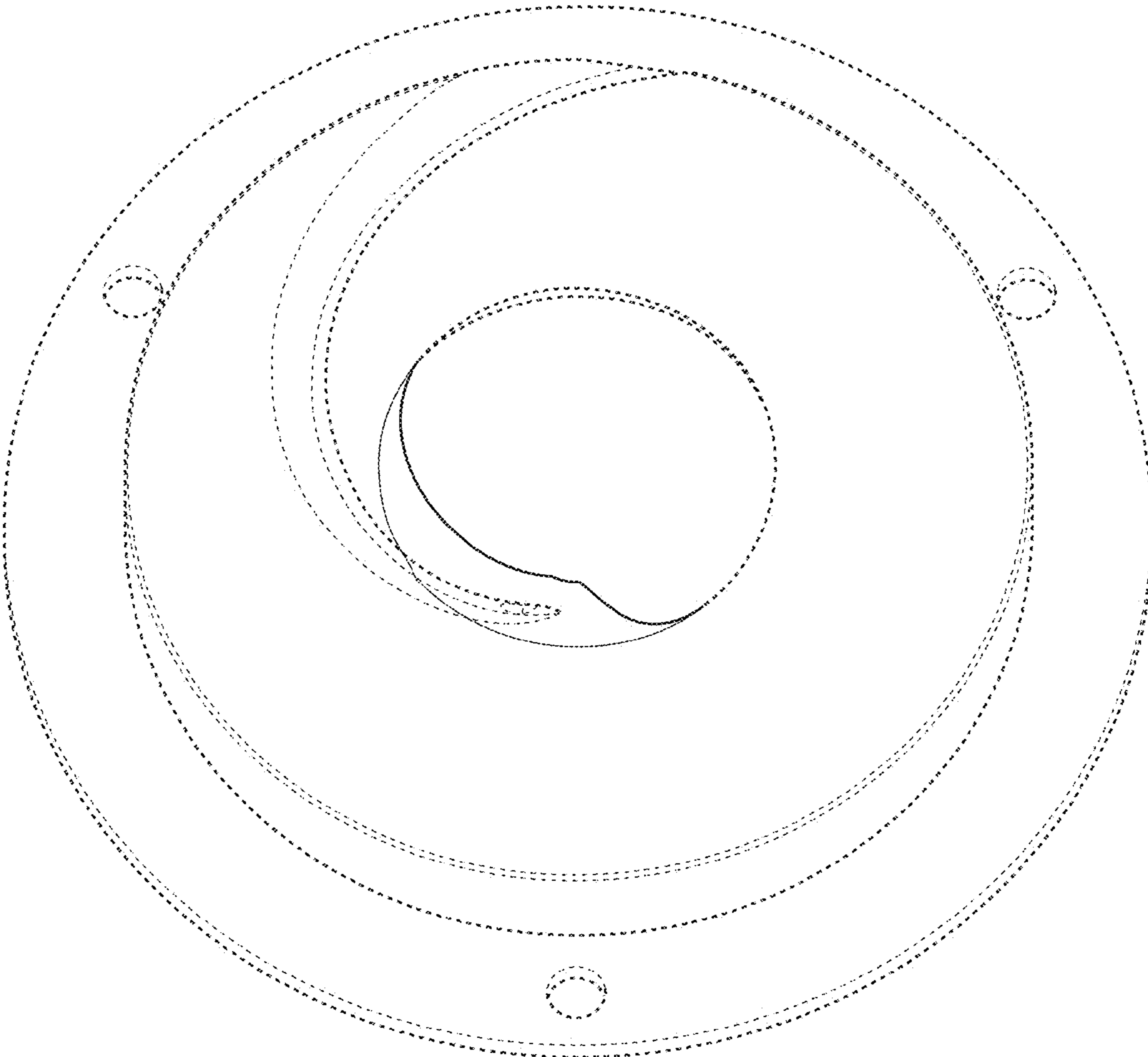


FIG. 2

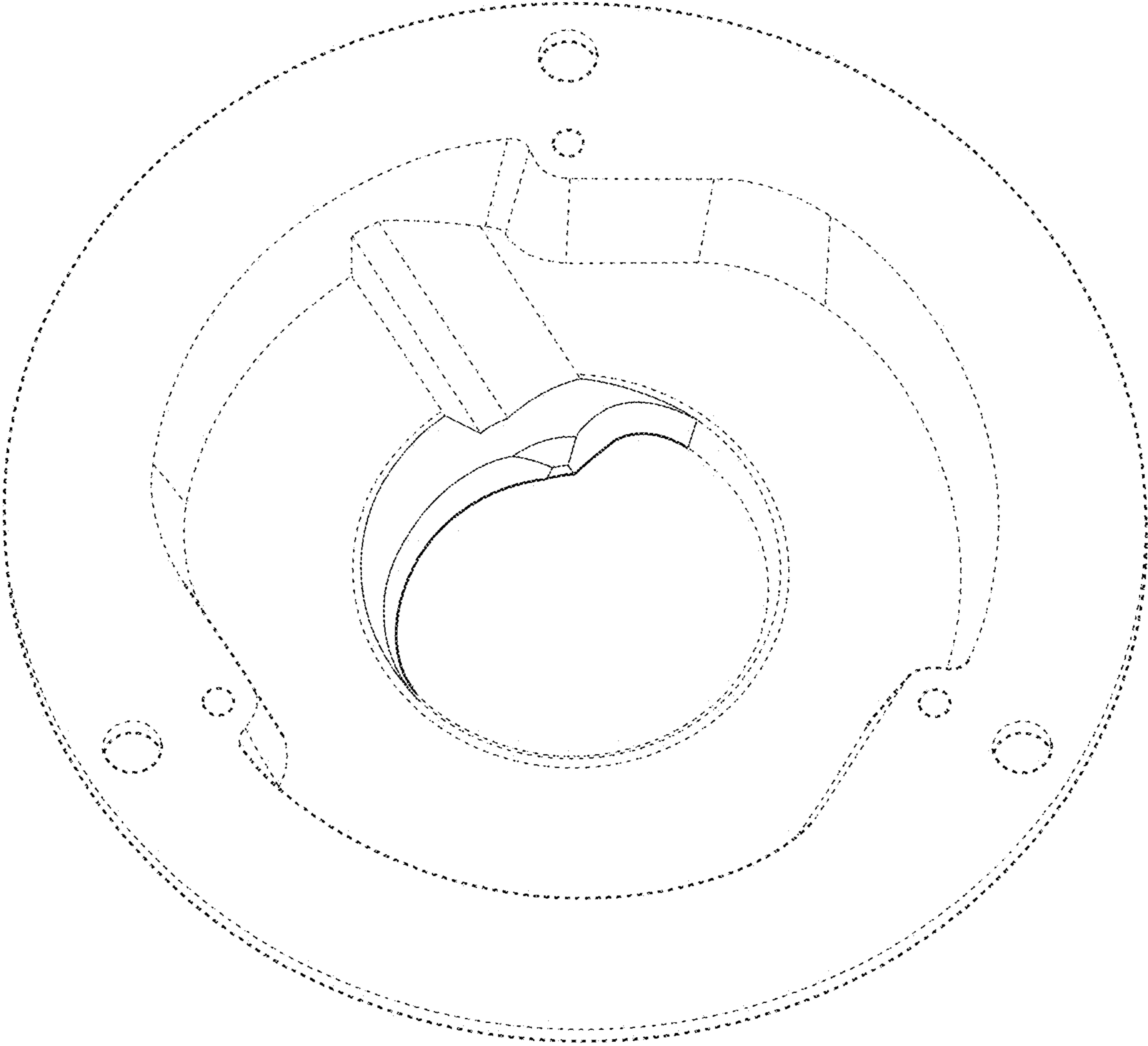


FIG. 3

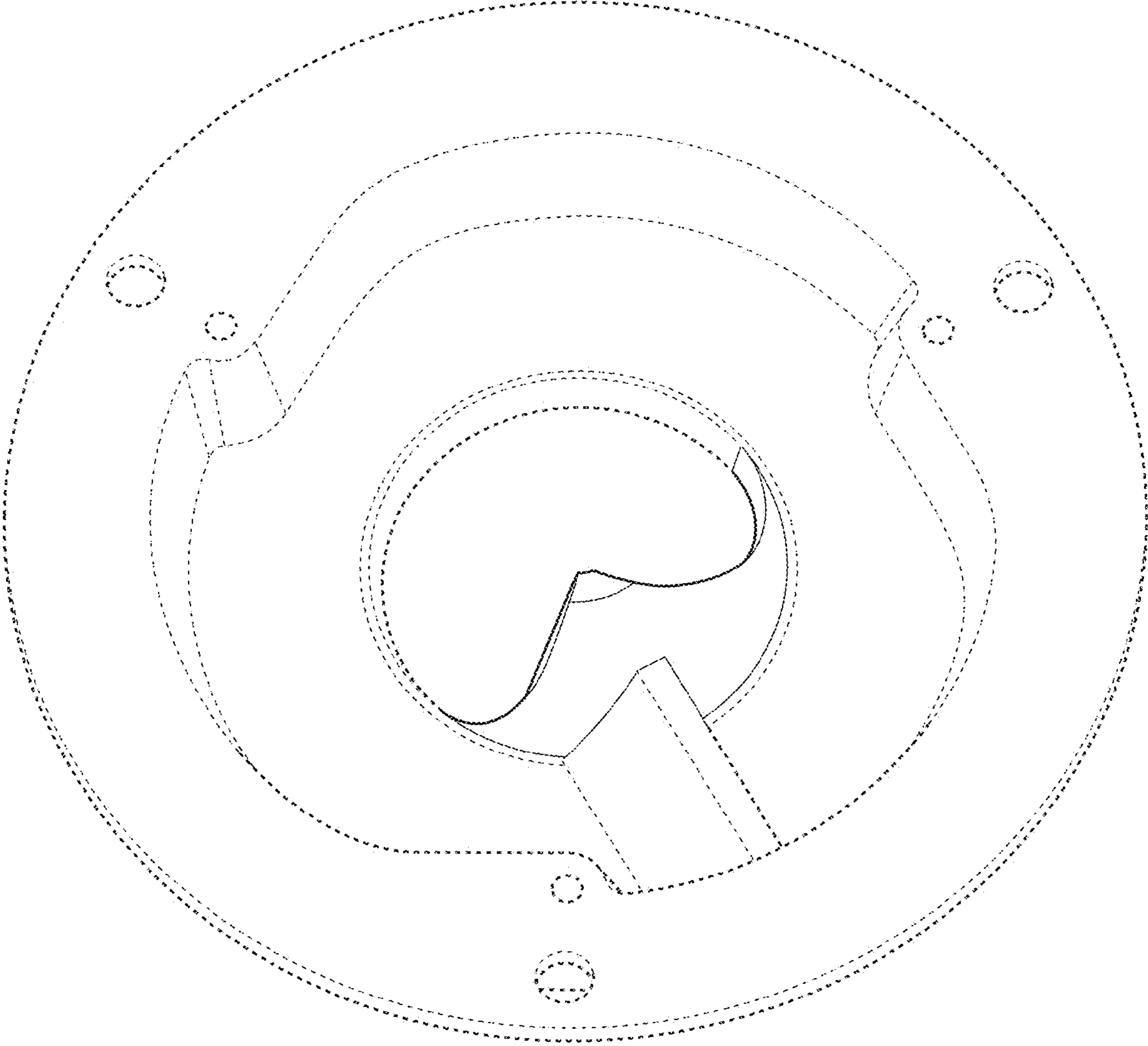


FIG. 4

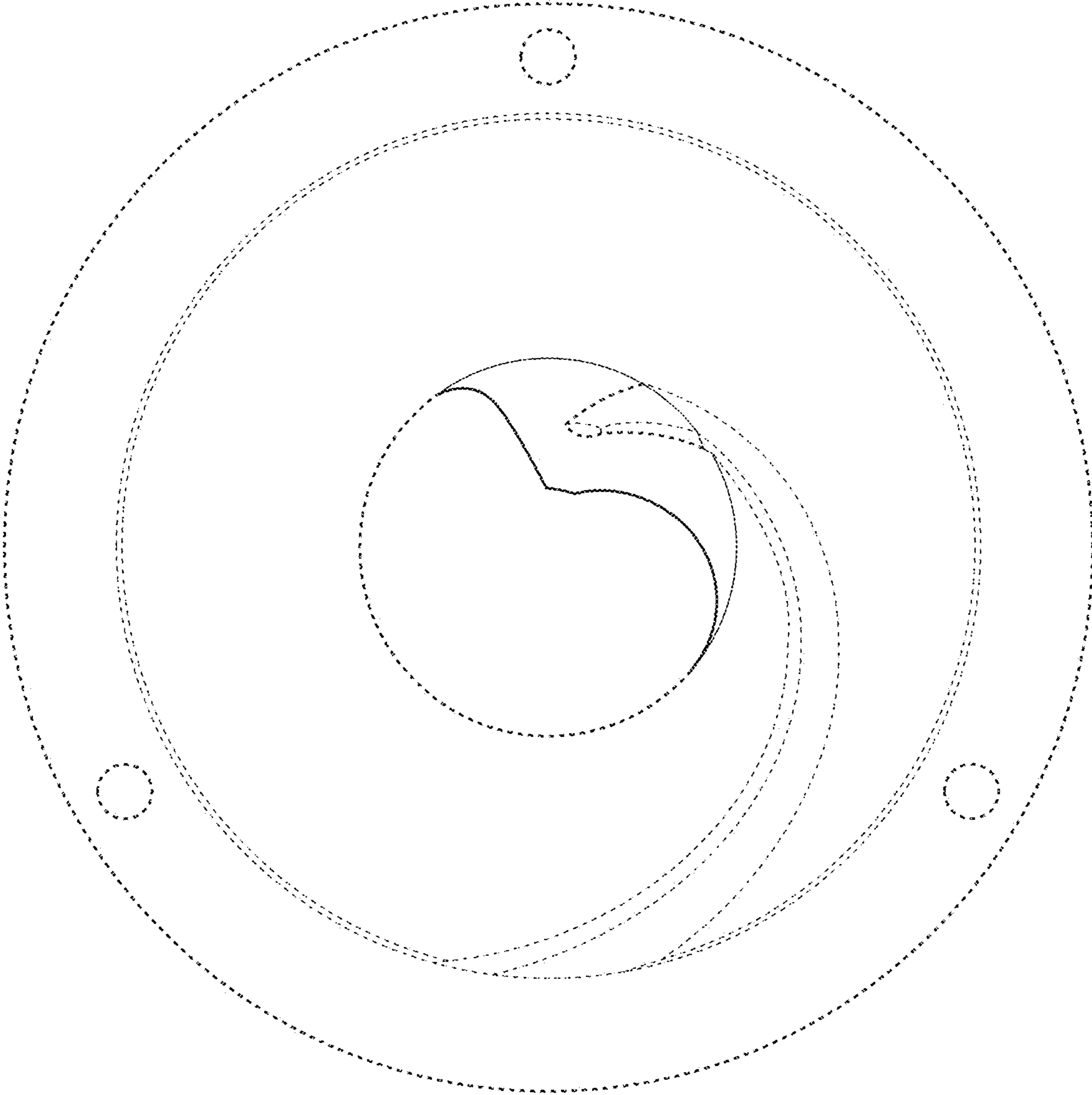


FIG. 5

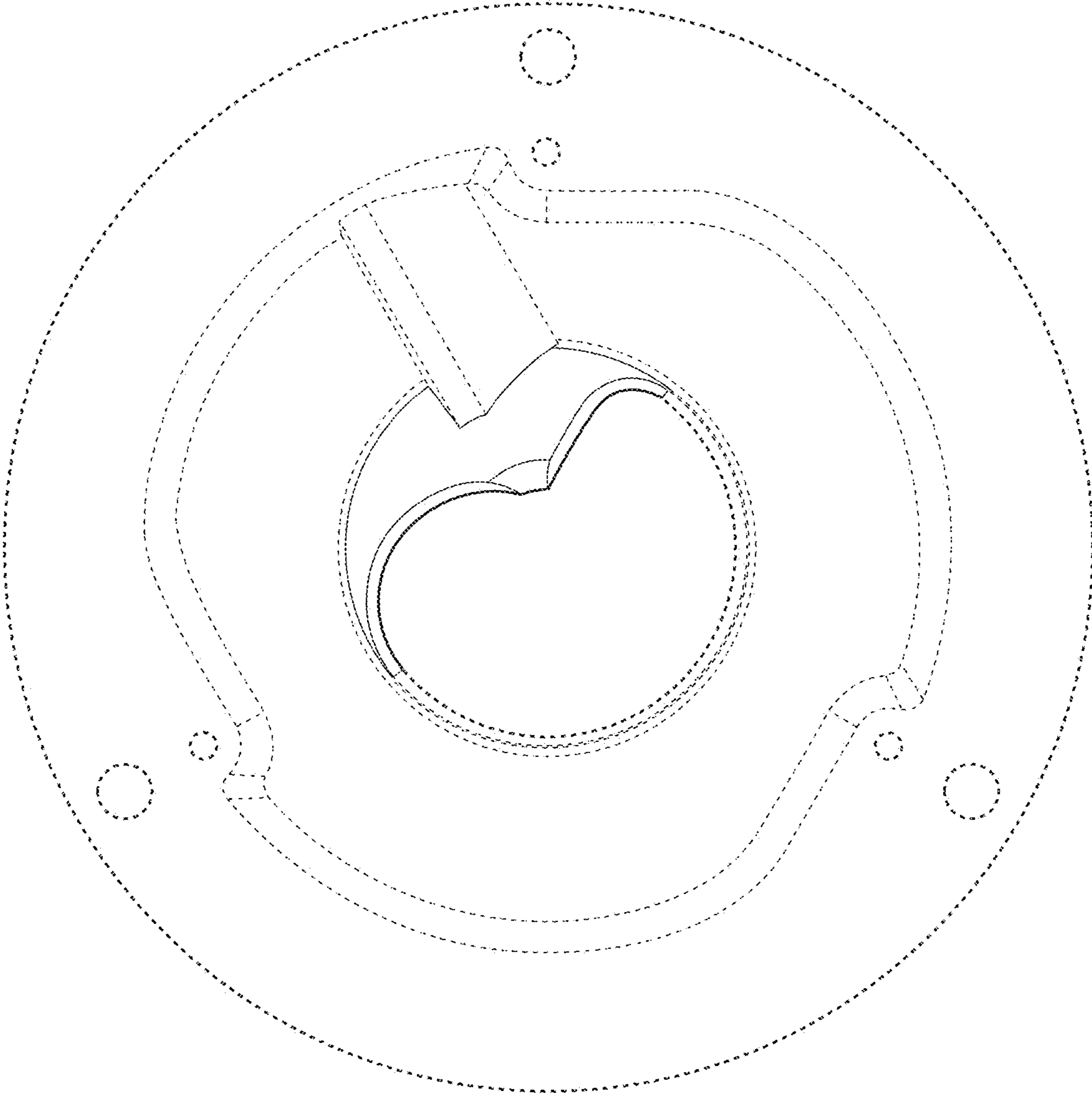


FIG. 6