



US00D991933S

(12) **United States Design Patent**
Chong

(10) **Patent No.:** **US D991,933 S**

(45) **Date of Patent:** **** Jul. 11, 2023**

(54) **MOUSE**

D970,503 S * 11/2022 Chong D14/402
D980,219 S * 3/2023 Chong D14/402

(71) Applicant: **Razer (Asia-Pacific) Pte. Ltd.**,
Singapore (SG)

* cited by examiner

(72) Inventor: **Boon Sim Chong**, Singapore (SG)

Primary Examiner — Austin Murphy

(73) Assignee: **RAZER (ASIA-PACIFIC) PTE. LTD.**,
Singapore (SG)

(74) *Attorney, Agent, or Firm* — Polsinelli

(**) Term: **15 Years**

(57) **CLAIM**

(21) Appl. No.: **29/847,784**

I claim the ornamental design for a mouse, as shown and described.

(22) Filed: **Jul. 27, 2022**

DESCRIPTION

Related U.S. Application Data

(62) Division of application No. 29/768,829, filed on Feb. 1, 2021, now Pat. No. Des. 970,503.

FIG. 1 is a perspective view of a mouse of our new design. FIG. 2 is a front view of the mouse shown in FIG. 1. FIG. 3 is a rear view of the mouse shown in FIG. 1. FIG. 4 is a right side view of the mouse shown in FIG. 1. FIG. 5 is a left side view of the mouse shown in FIG. 1. FIG. 6 is a top view of the mouse shown in FIG. 1; and, FIG. 7 is a bottom view of the mouse shown in FIG. 1.

(51) **LOC (14) Cl.** **14-03**

(52) **U.S. Cl.**
USPC **D14/402**

The mouse shown in FIGS. 1-7 illustrates our novel design suitable for use with a right hand. Our novel design also includes a second embodiment for use with the left hand, which is mirror symmetrical to FIGS. 1-7 and therefore not separately illustrated.

(58) **Field of Classification Search**
USPC D14/402-411, 356, 388, 389, 383-385,
D14/417, 426; 345/156-167; 463/36-38;
358/471, 473; 273/148 B

CPC G06F 3/03543; G06F 2203/0333; G06F
3/039; G06F 3/038; G06F 2203/0384

See application file for complete search history.

The broken lines shown in the figures represent portions of the mouse that form no part of the claimed design.

The thin solid lines shown in the figures represent contours only and do not illustrate an ornamentation of decoration on the surface of the mouse.

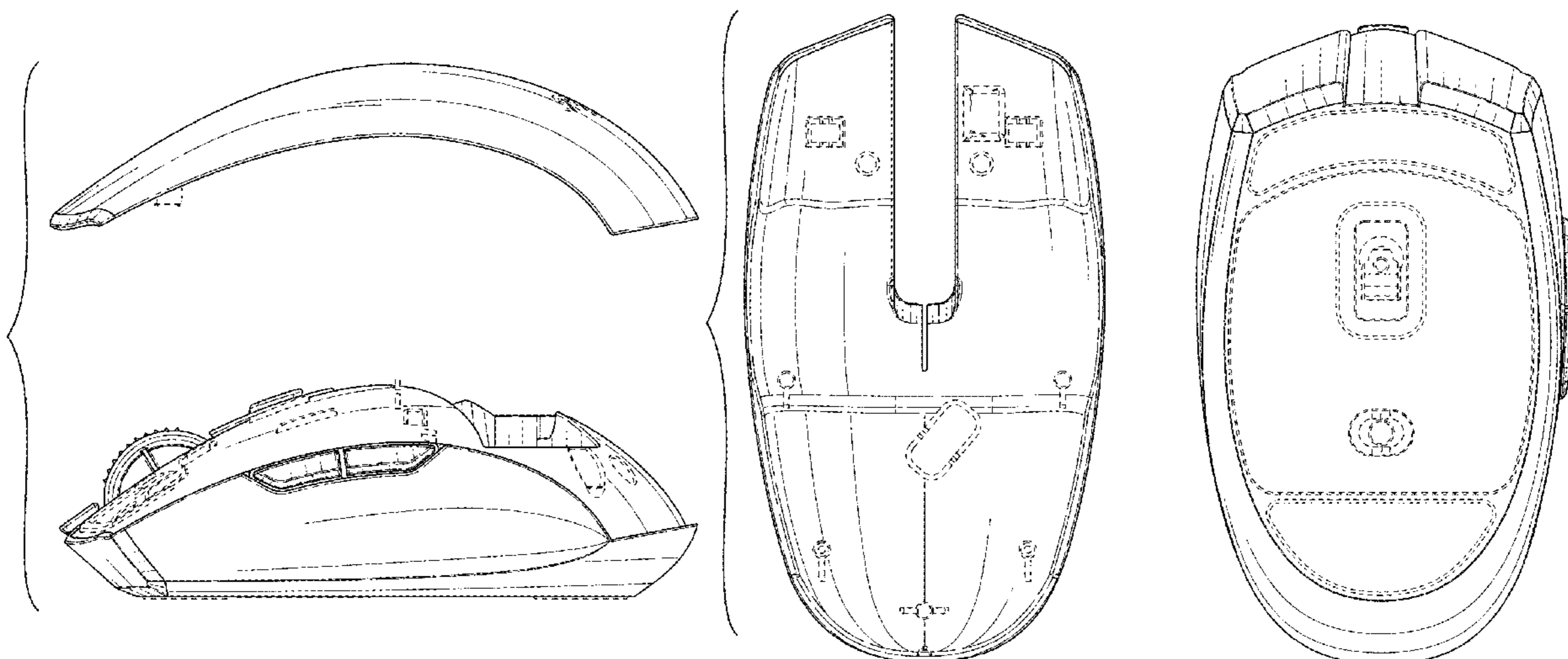
(56) **References Cited**

U.S. PATENT DOCUMENTS

D826,939 S * 8/2018 Chong D14/402
D845,300 S * 4/2019 Chong D14/410
D925,537 S * 7/2021 Carey D14/409
D926,762 S * 8/2021 Chong D14/409
D928,786 S * 8/2021 Chong D14/409
D940,139 S * 1/2022 Carey D14/408
D959,432 S * 8/2022 Carey D14/402

While the accompanying drawings include broken lines that form no part of the claimed design, the broken lines provide written description of prospective embodiments that are claimed when one or more of the broken lines are amended to solid lines. Similarly, while the solid lines in the drawings form part of the claimed design, the solid lines provide written description of prospective embodiments that are not claimed when one or more of the solid lines are amended to broken lines.

1 Claim, 4 Drawing Sheets



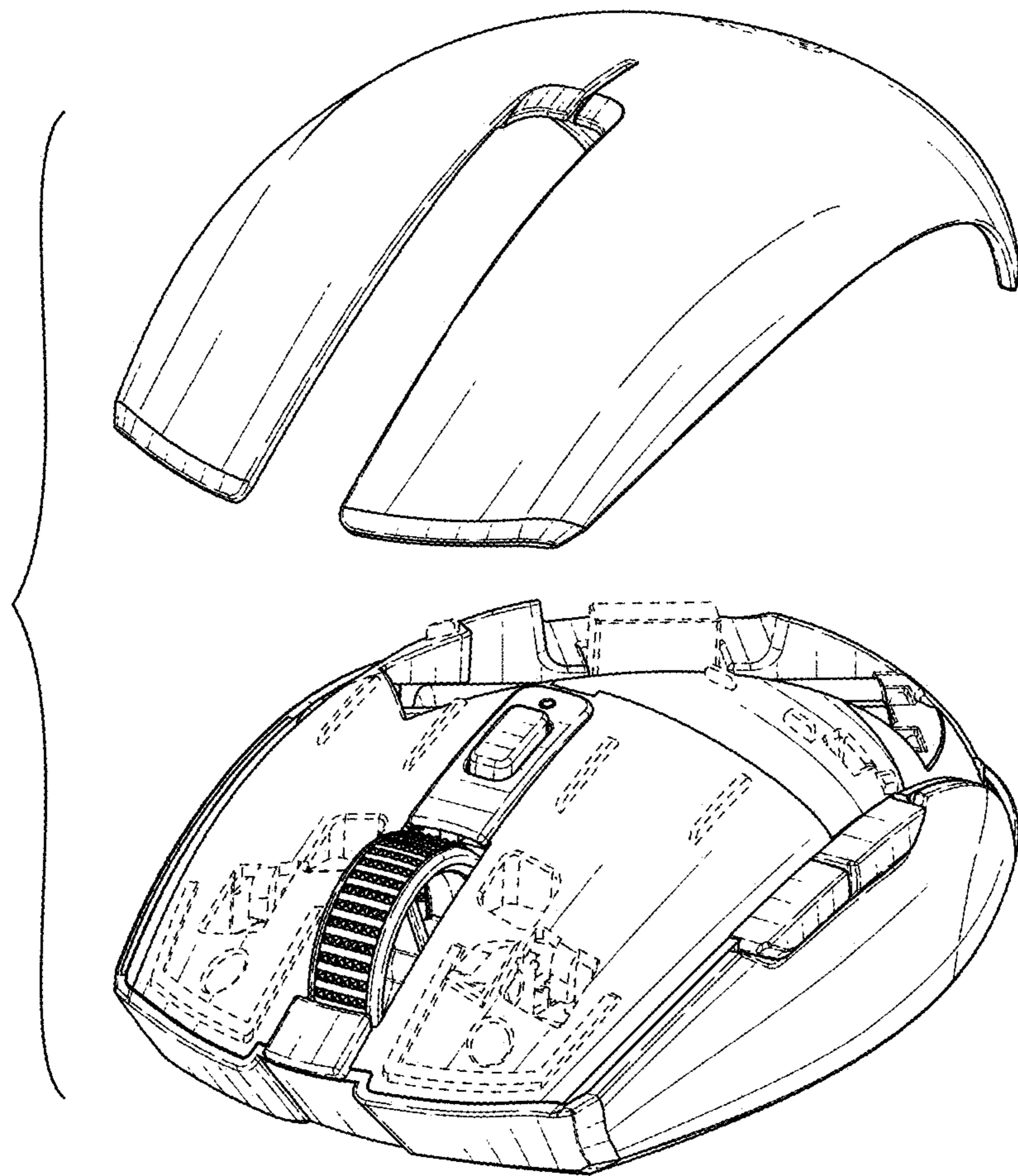


FIG. 1

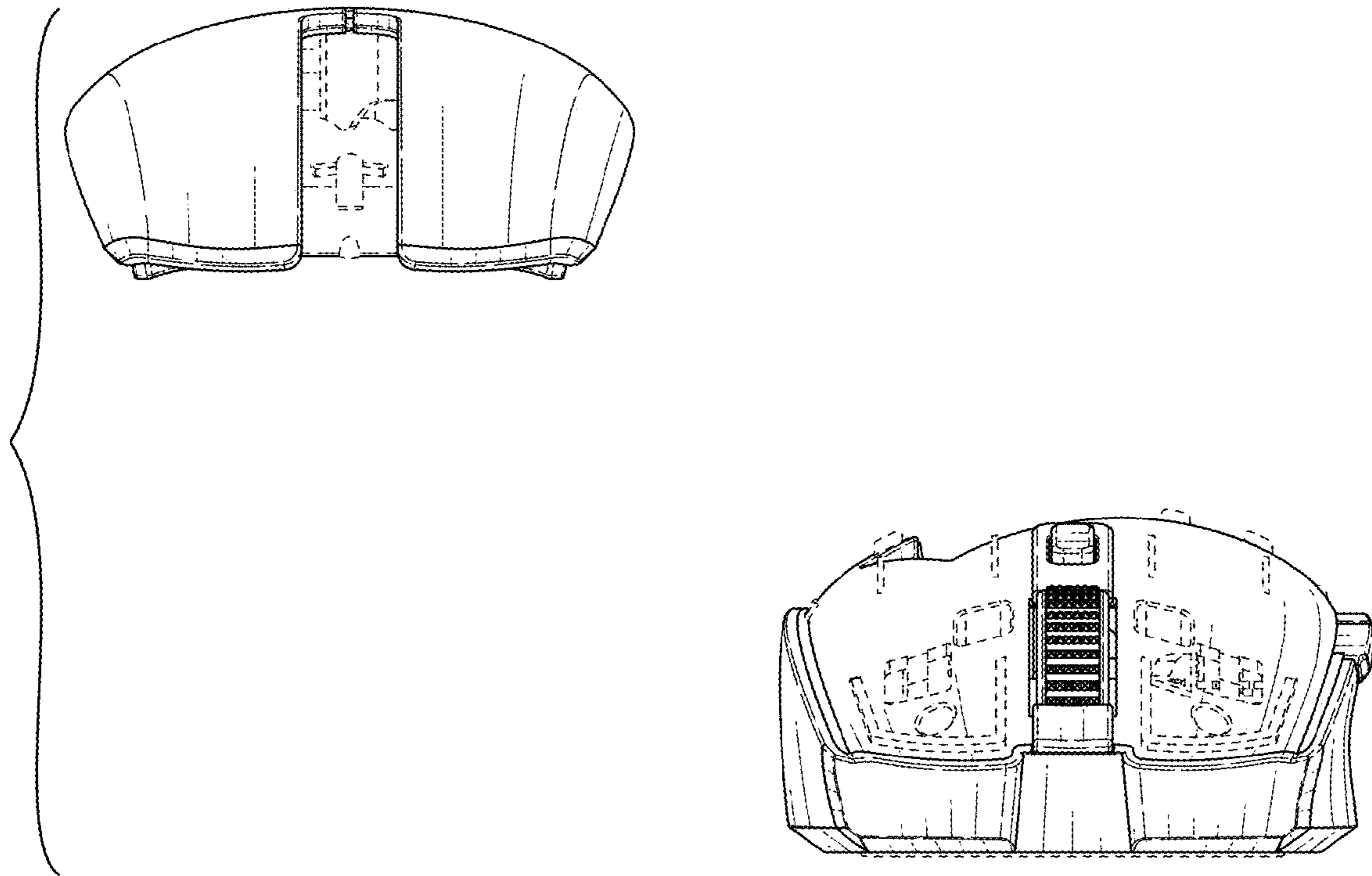


FIG. 2

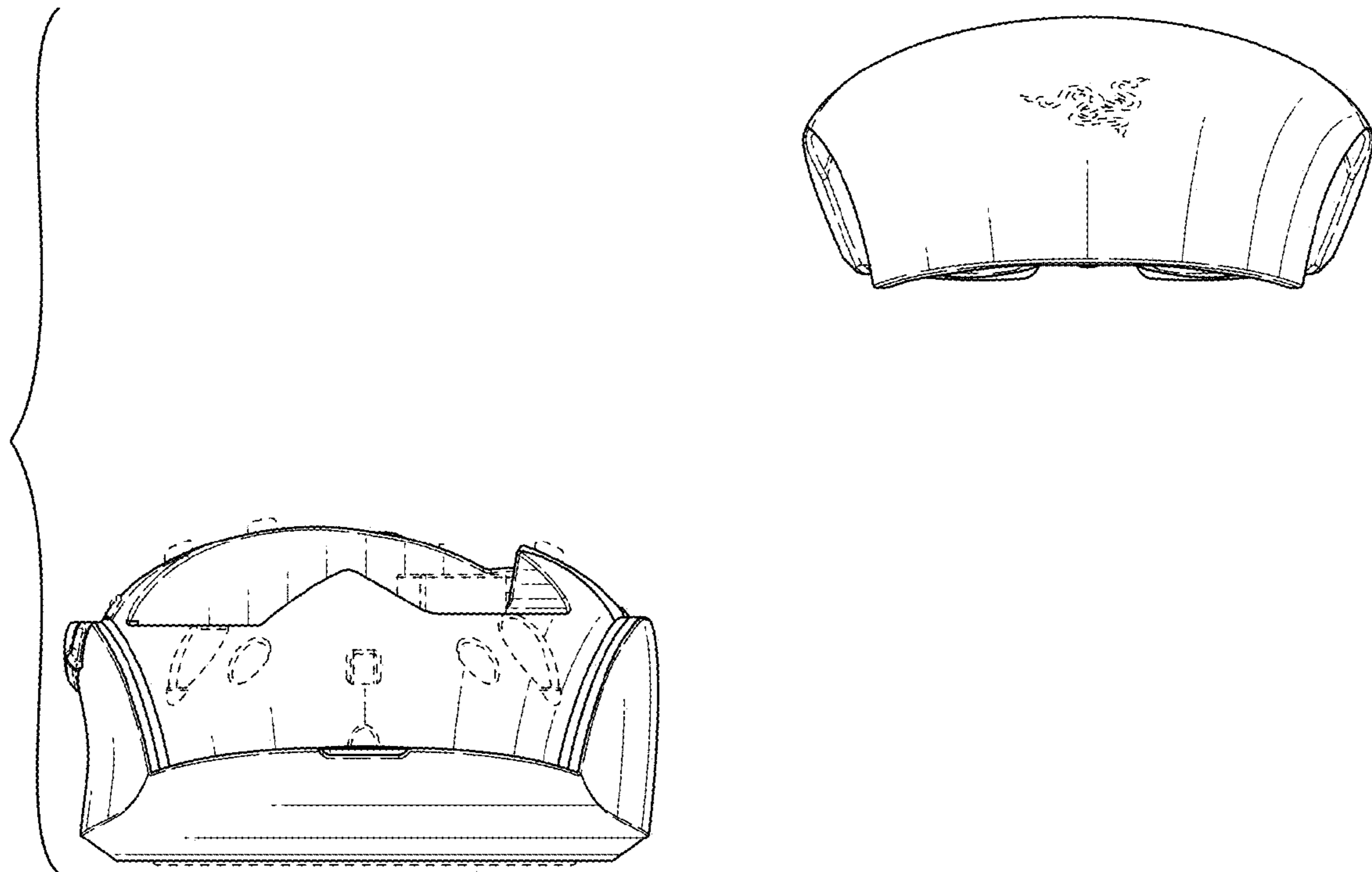
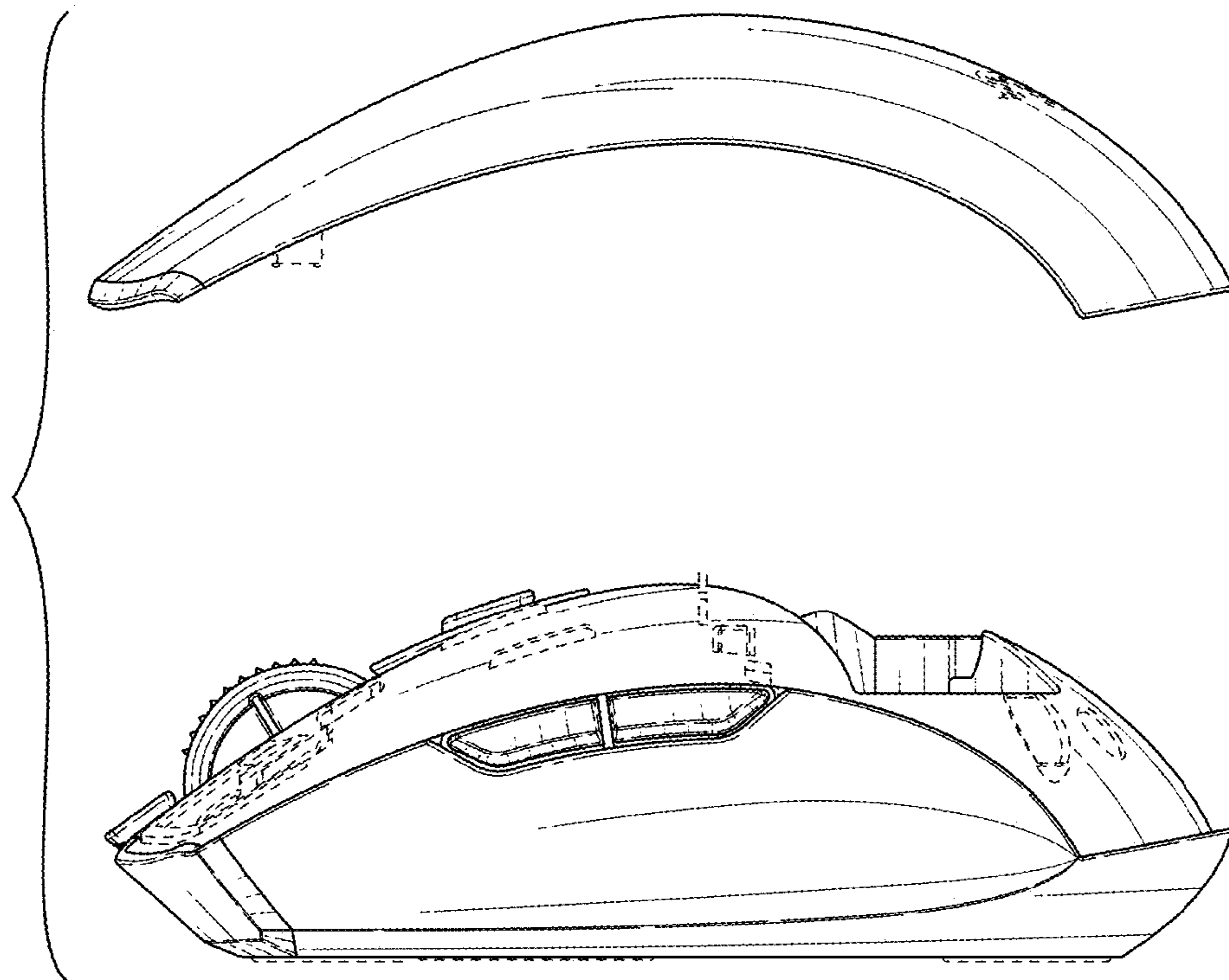
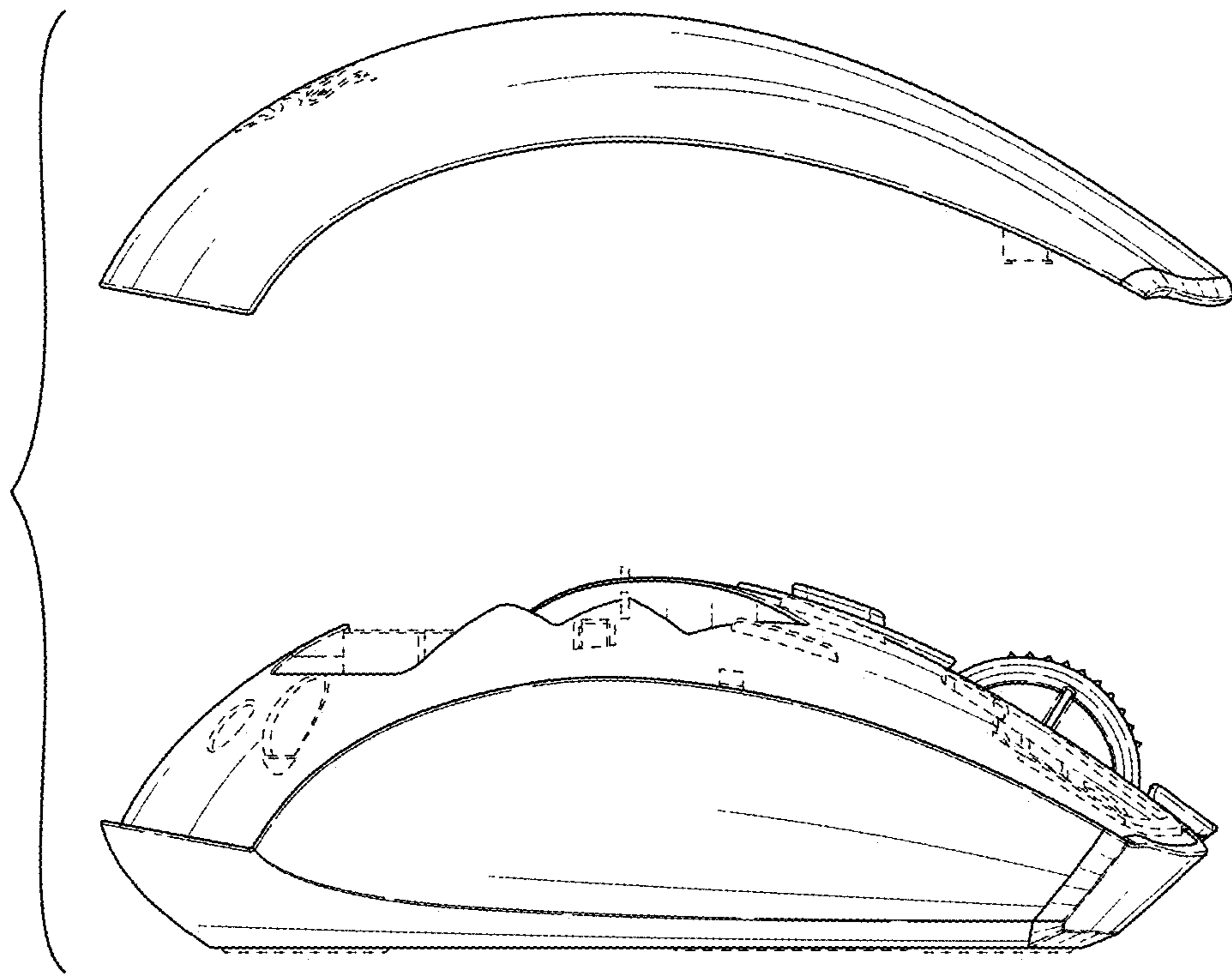


FIG. 3



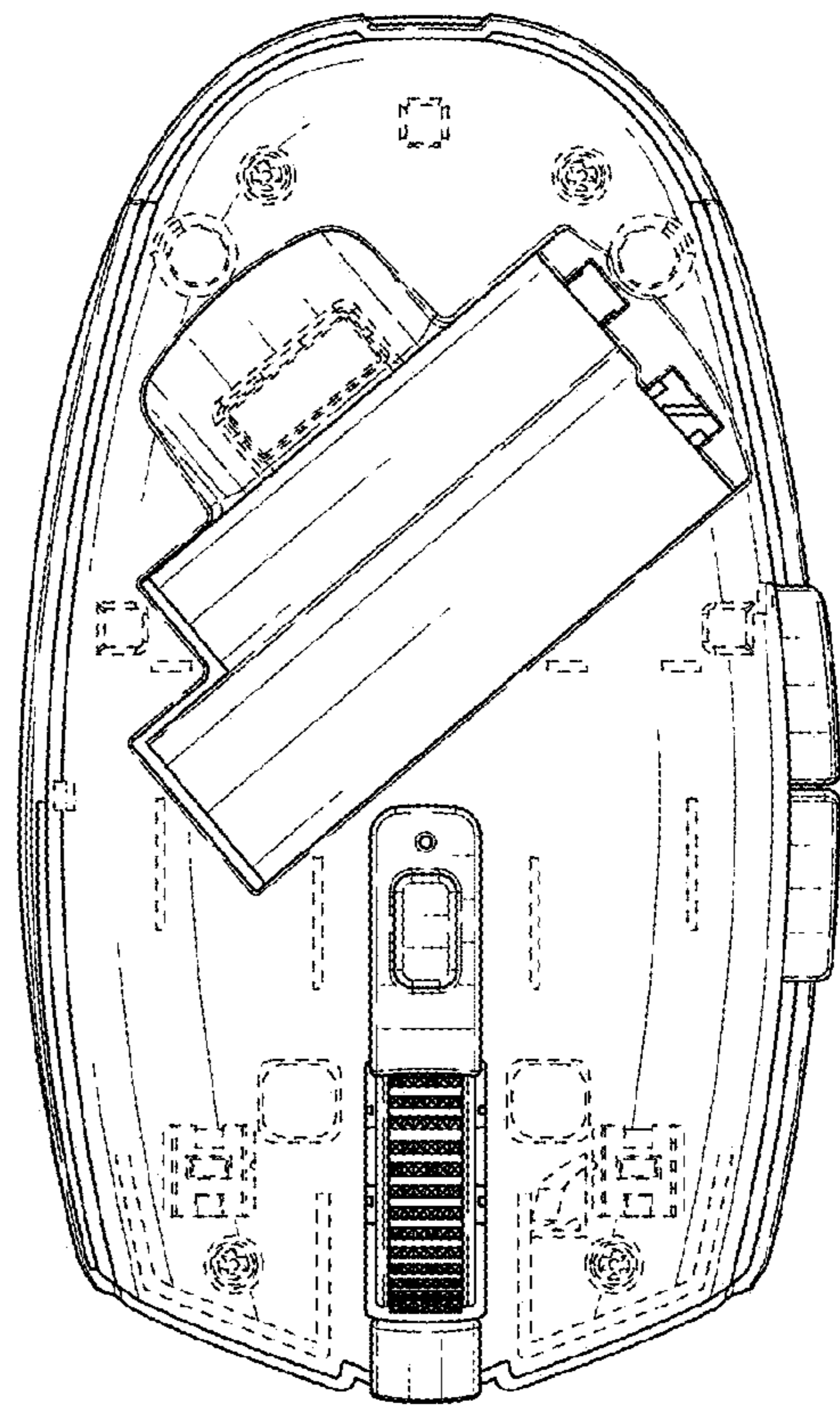
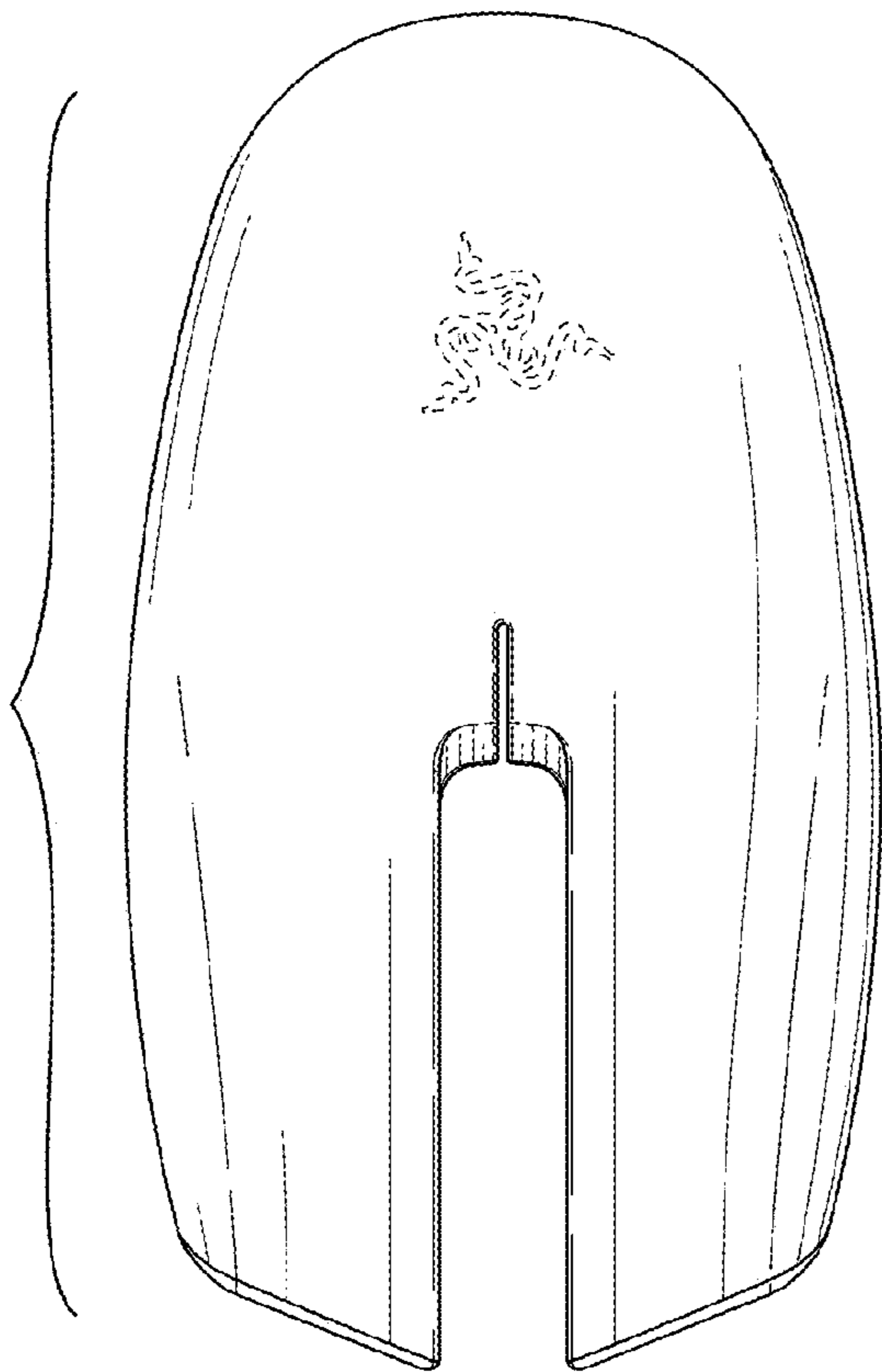


FIG. 6

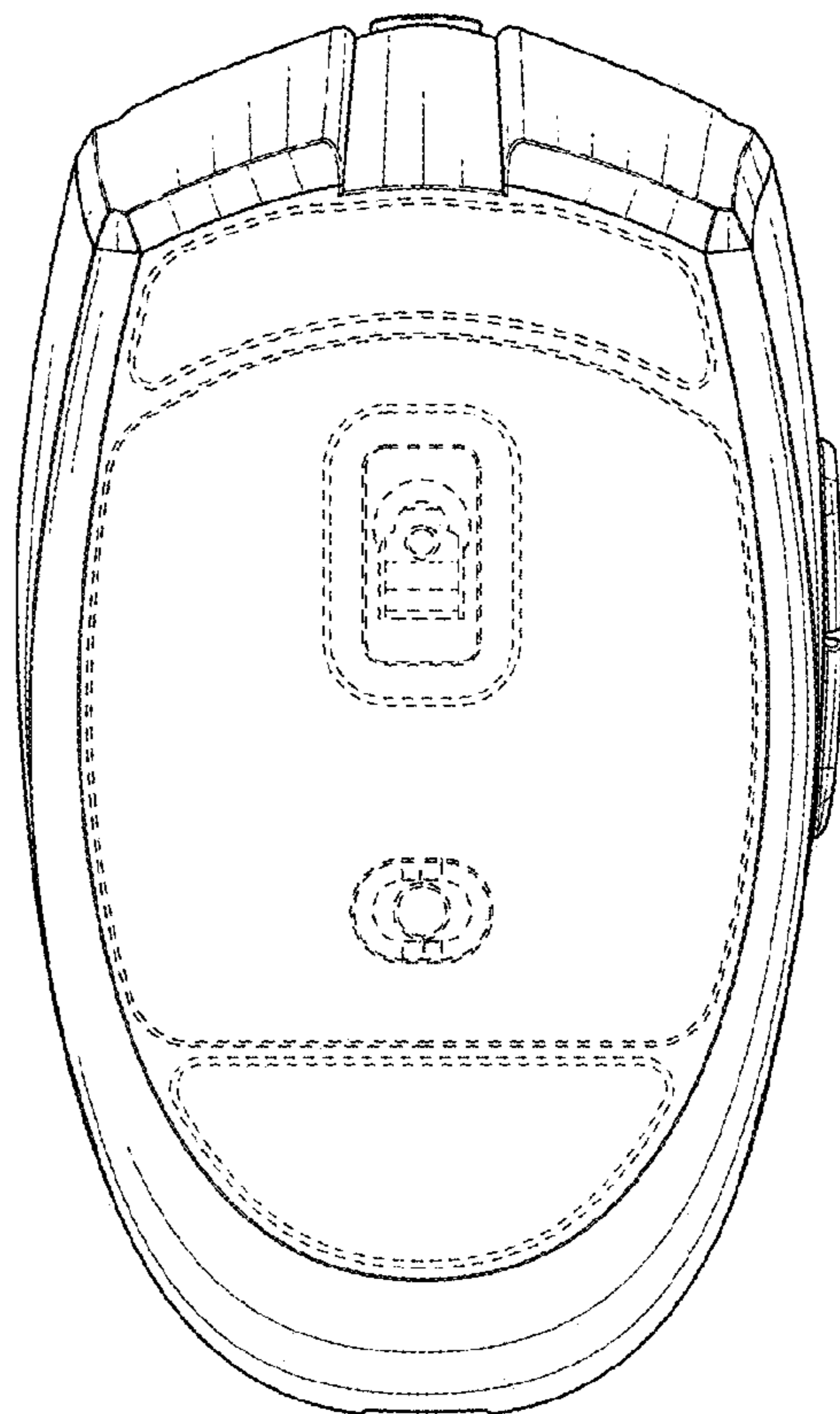
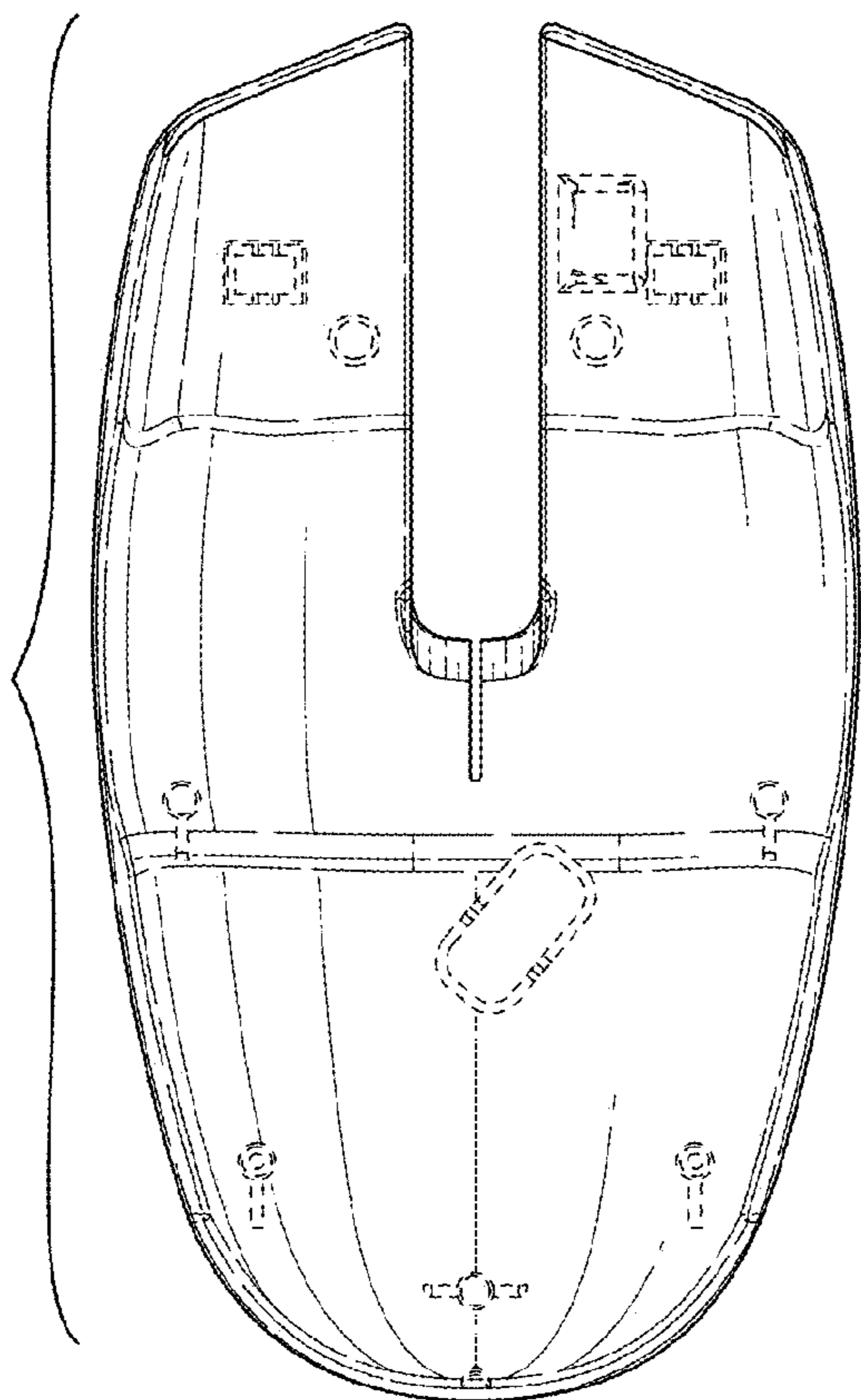


FIG. 7