



US00D991786S

(12) **United States Design Patent**
Kraus

(10) **Patent No.:** **US D991,786 S**

(45) **Date of Patent:** **** Jul. 11, 2023**

- (54) **CAP**
- (71) Applicant: **Kao Germany GmbH**, Darmstadt (DE)
- (72) Inventor: **Sebastian Kraus**, Darmstadt (DE)
- (73) Assignee: **Kao Germany GmbH**, Darmstadt (DE)
- (**) Term: **15 Years**
- (21) Appl. No.: **29/752,864**
- (22) Filed: **Sep. 29, 2020**
- (30) **Foreign Application Priority Data**

Mar. 31, 2020 (EM) 007780580-0001

(51) **LOC (14) Cl.** **09-07**

(52) **U.S. Cl.**
USPC **D9/450**

(58) **Field of Classification Search**
 USPC D9/434-436, 439, 440, 443, 444, 445,
 D9/447, 449, 450, 451, 454, 499, 503,
 D9/504, 505, 516, 529; D7/387, 391,
 D7/392, 392.1, 396.2, 510, 511, 629, 900;
 D3/202
 CPC A45F 3/16; A47G 19/2272; A61J 1/00;
 A61J 1/1412; B65D 1/00; B65D 1/02;
 B65D 1/10; B65D 1/46; B65D 41/00;
 B65D 41/38; B65D 41/56; B65D 41/62;
 B65D 45/00; B65D 47/00; B65D 47/06;
 B65D 47/08; B65D 2251/00; B65D
 2543/00046; B65D 2543/00055; B65D
 2543/00092; B65D 2543/00296; B65D
 2581/3409

See application file for complete search history.

(56) **References Cited**

U.S. PATENT DOCUMENTS

D143,174 S * 12/1945 Wagner D9/450
 D193,955 S * 10/1962 Alexander D9/450

D195,603 S * 7/1963 Newby D9/450
 3,163,337 A * 12/1964 Wilson B65D 47/305
 D9/450
 D204,326 S * 4/1966 Wilson et al. D9/450
 D206,499 S * 12/1966 Wilson D9/450
 3,303,971 A * 2/1967 Stevens, Jr. B65D 25/525
 D9/450
 3,318,494 A * 5/1967 Porter B65D 47/305
 D9/450
 3,430,825 A * 3/1969 Wilson B65D 47/305
 D9/450
 D214,722 S * 7/1969 Hazard D9/450
 D214,882 S * 8/1969 Hazard D9/450
 D214,883 S * 8/1969 Hazard D9/450
 D214,884 S * 8/1969 Hazard D9/450
 D217,711 S * 6/1970 Hazard D9/450
 D226,806 S * 5/1973 Hazard D9/450
 D228,284 S * 9/1973 Gryncewicz D9/450
 D363,222 S * 10/1995 Lay D9/447

(Continued)

Primary Examiner — Wendy L Arminio

(74) *Attorney, Agent, or Firm* — Patent Technologies, LLC; Robert D. Gunderman, Jr.

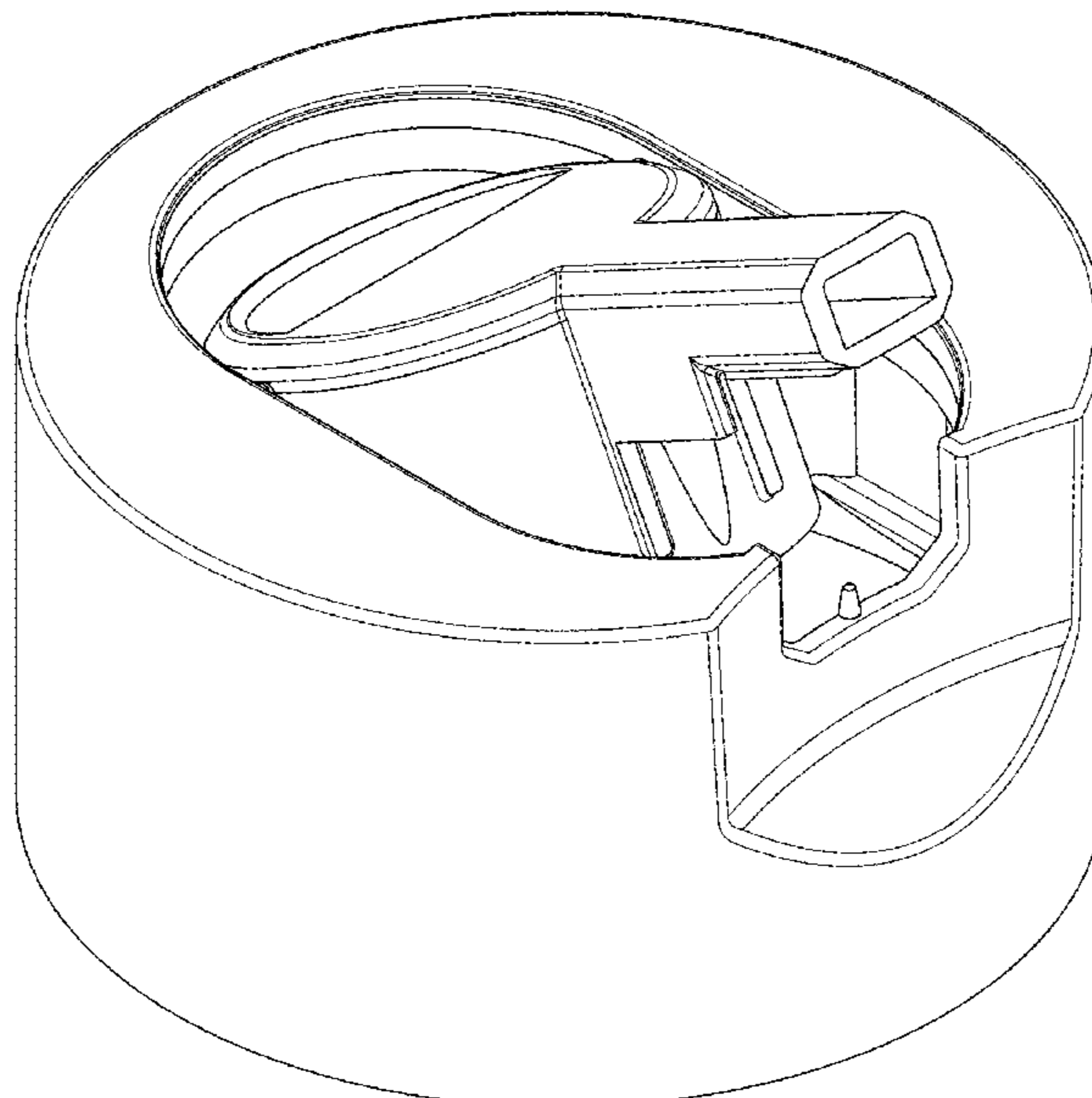
(57) **CLAIM**

The ornamental design for a cap, as shown and described.

DESCRIPTION

FIG. 1 is a perspective view of a cap showing my new design;
 FIG. 2 is a side elevation view of the cap of FIG. 1;
 FIG. 3 is a front elevation view of the cap of FIG. 1;
 FIG. 4 is an alternate side elevation view of the cap of FIG. 1;
 FIG. 5 is a back elevation view of the cap of FIG. 1;
 FIG. 6 is a top plan view of the cap of FIG. 1; and,
 FIG. 7 is a bottom plan view of the cap of FIG. 1.
 The broken lines depict portions of the cap that form no part of the claimed design.

1 Claim, 7 Drawing Sheets



(56)

References Cited

U.S. PATENT DOCUMENTS

5,482,172 A *	1/1996	Braddock	B65D 1/06 D9/520
D381,261 S *	7/1997	Crawford	D9/557
D680,869 S *	4/2013	Oeser	D9/449
D821,221 S *	6/2018	Jung	D9/503
D845,127 S *	4/2019	Arminak	F04B 9/14 D9/449
D852,627 S *	7/2019	Arminak	D9/449
D922,872 S *	6/2021	Jung	D9/450

* cited by examiner

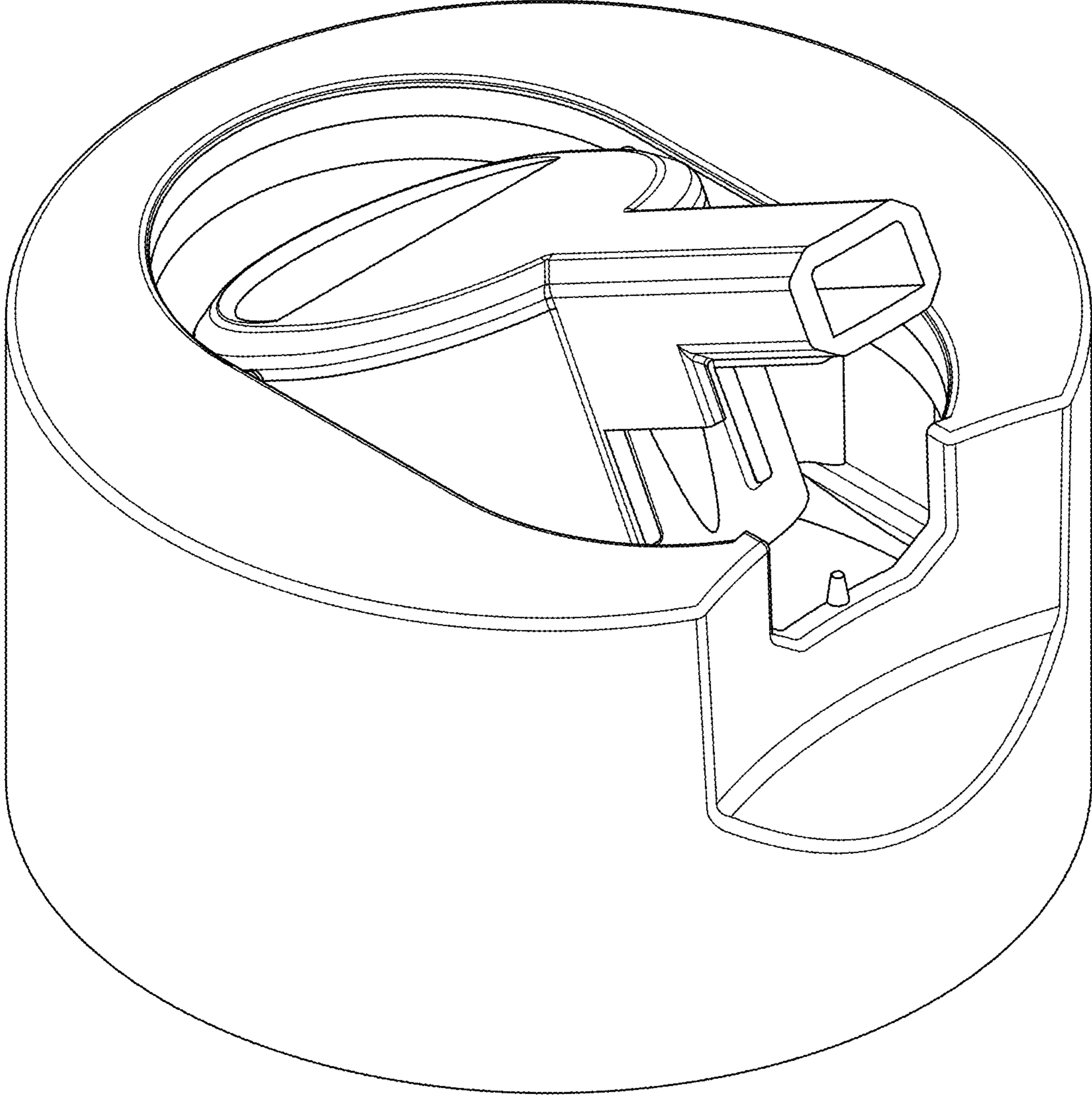


Fig. 1

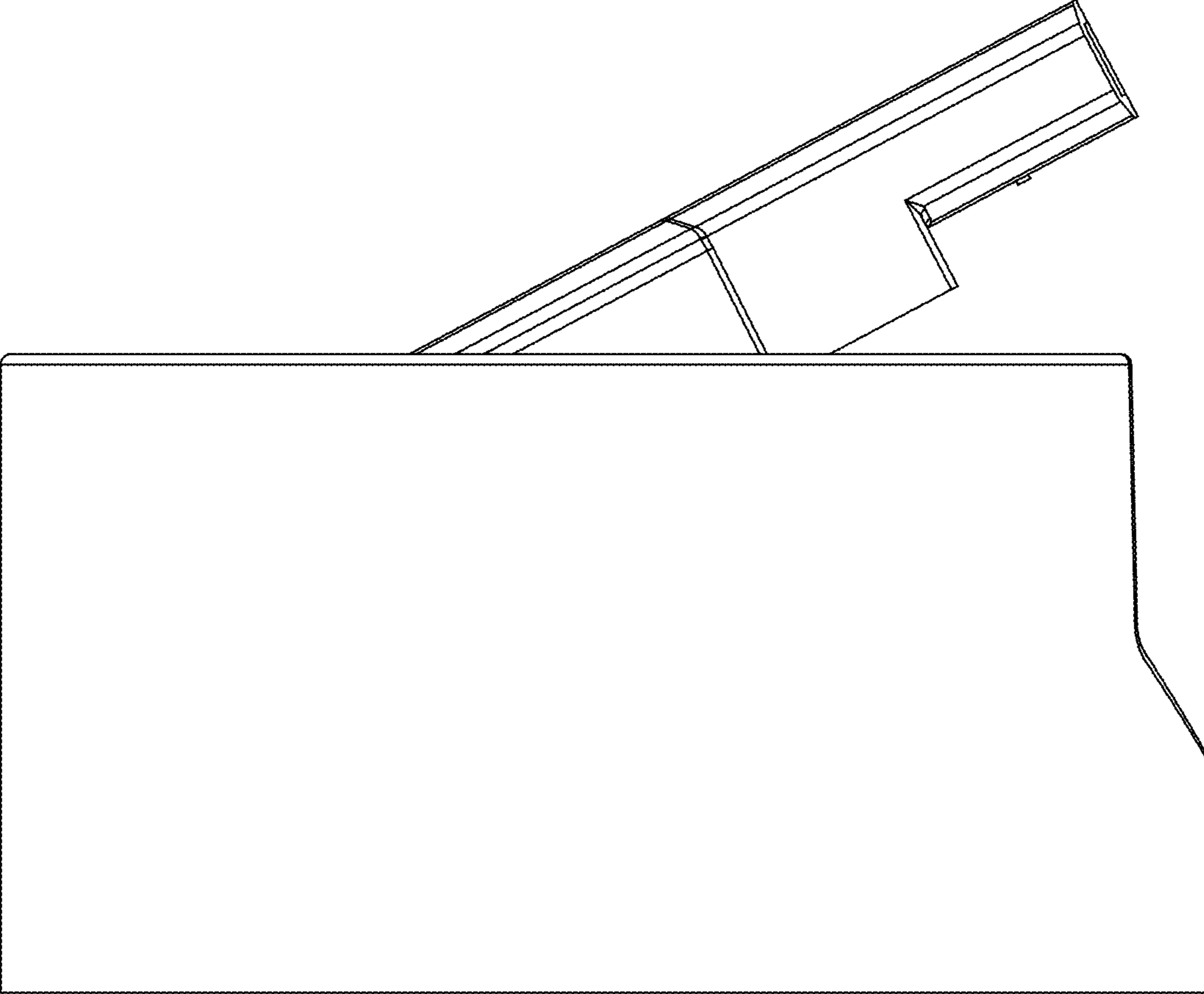


Fig. 2

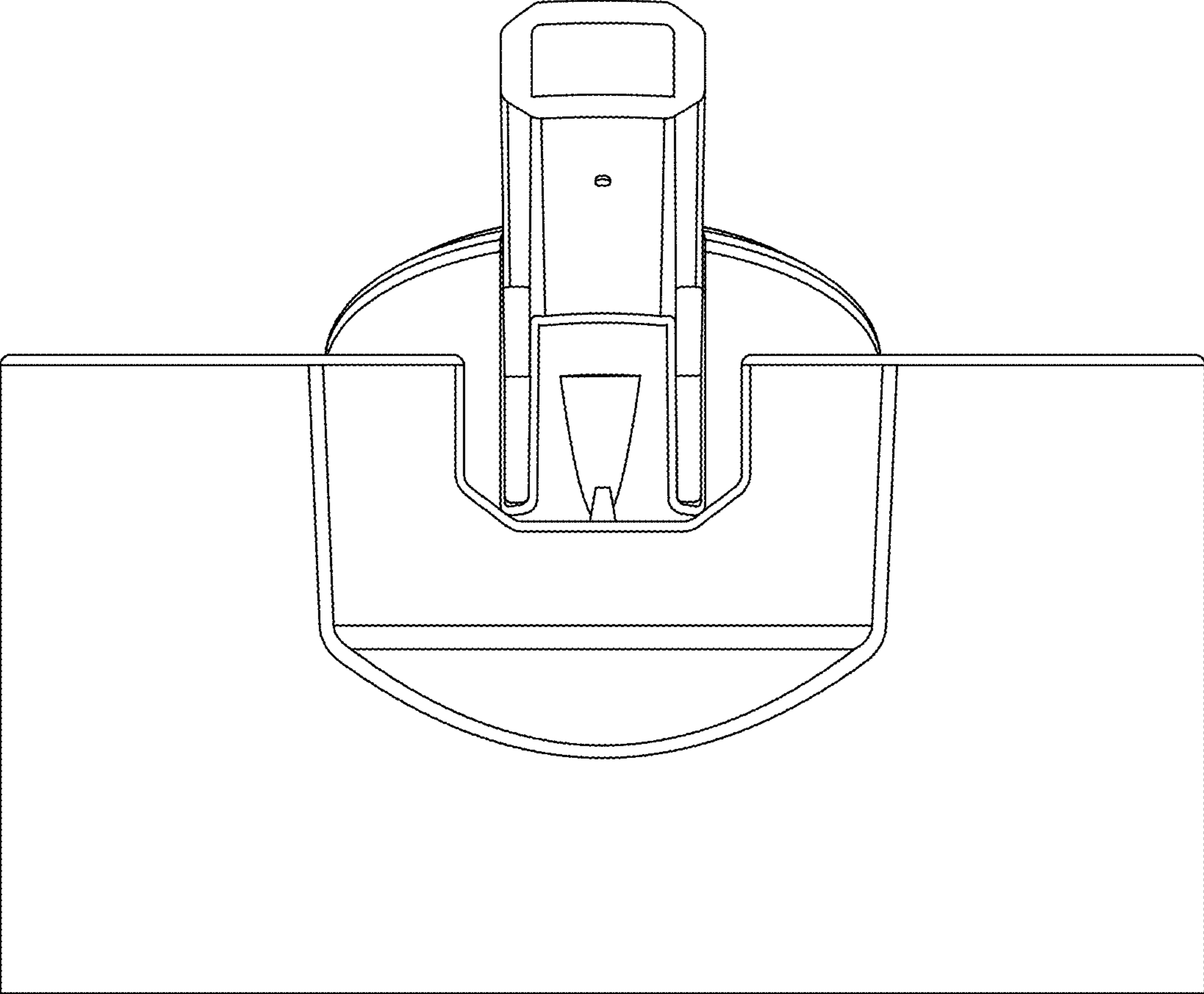


Fig. 3

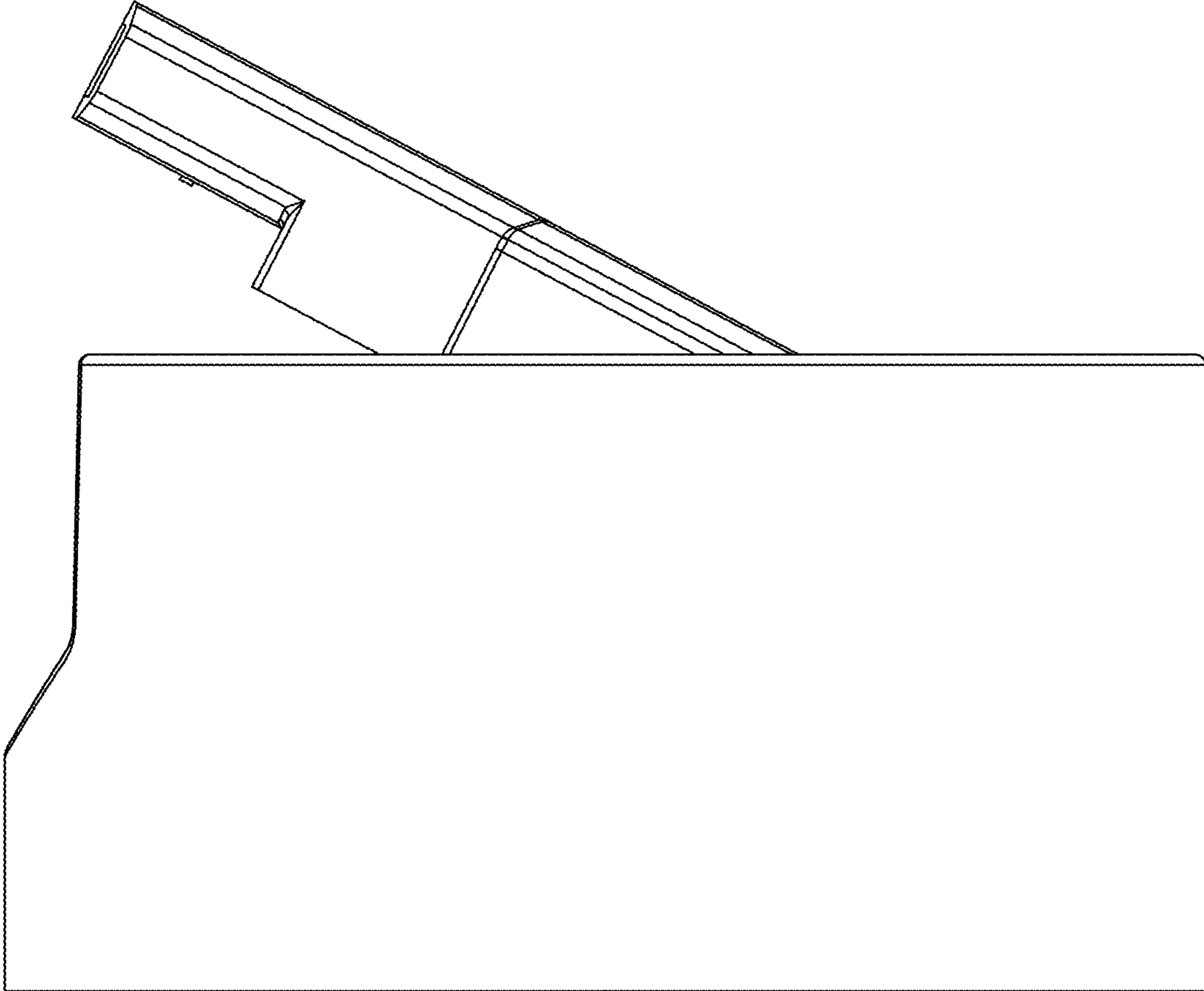


Fig. 4

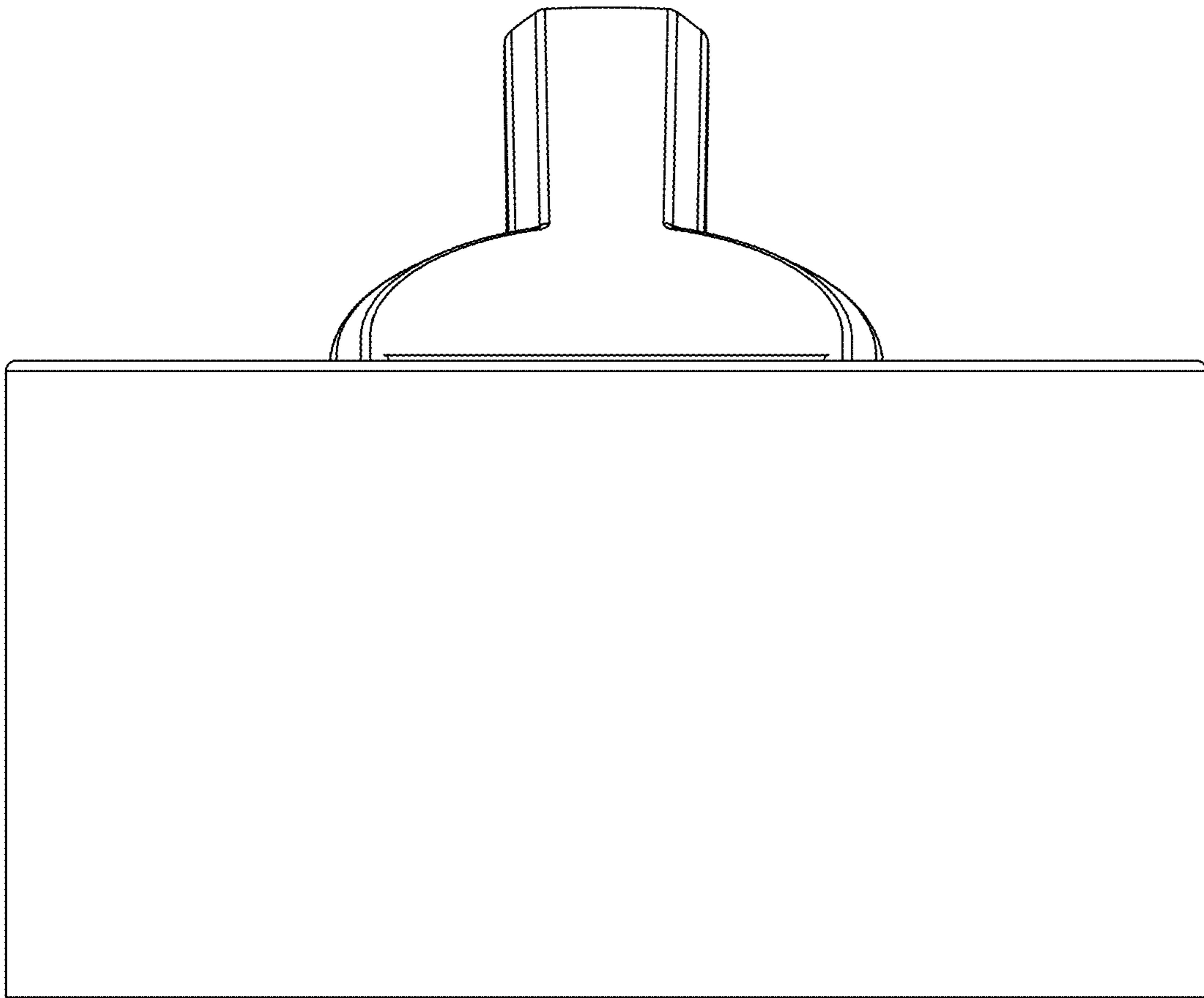


Fig. 5

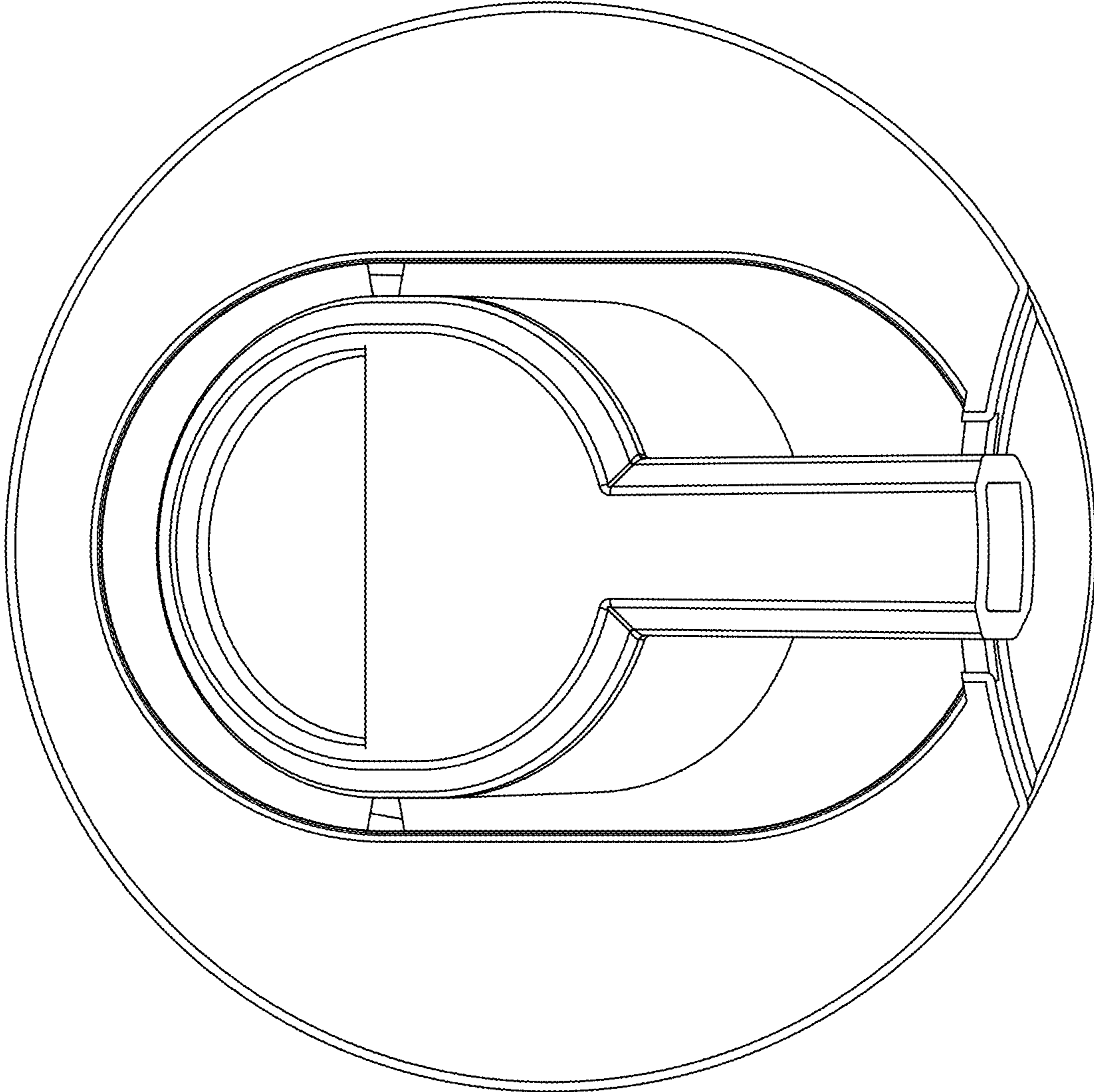


Fig. 6

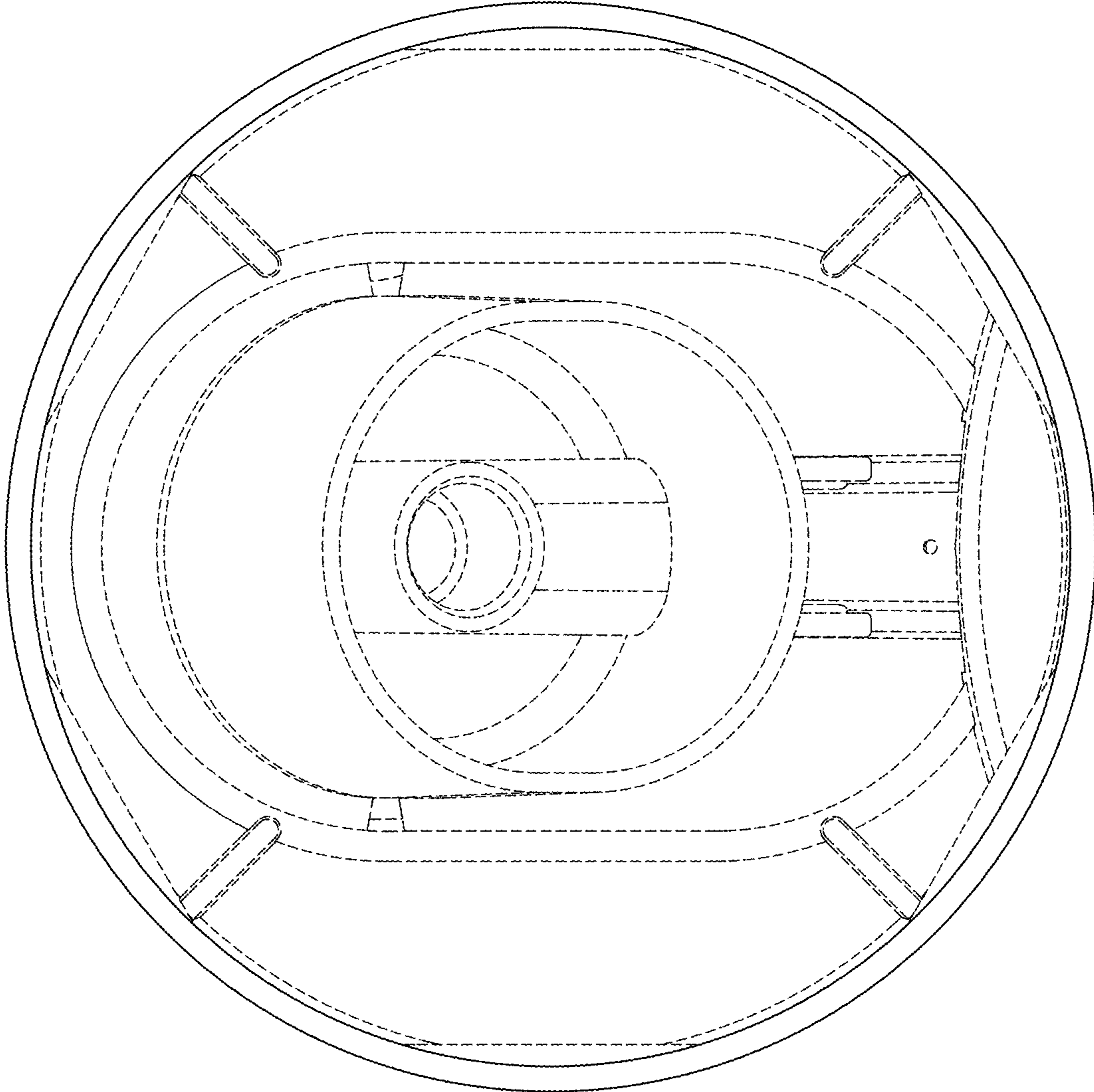


Fig. 7