



US00D991785S

(12) **United States Design Patent**
Arminak

(10) **Patent No.:** **US D991,785 S**

(45) **Date of Patent:** **** Jul. 11, 2023**

(54) **LOTION PUMP ACTUATOR**

D267,780 S 2/1983 Walter
(Continued)

(71) Applicant: **Armin Arminak**, Pasadena, CA (US)

(72) Inventor: **Armin Arminak**, Pasadena, CA (US)

(**) Term: **15 Years**

(21) Appl. No.: **29/722,675**

(22) Filed: **Jan. 31, 2020**

(51) **LOC (14) Cl.** **09-07**

(52) **U.S. Cl.**
USPC **D9/448**

(58) **Field of Classification Search**
USPC ... D9/434, 435, 436, 438-440, 445, 447-450,
D9/455, 499, 516, 682, 685; D7/387, 392,
D7/397, 398, 590; D28/91.1; D6/542, 543;
D23/231
CPC A47K 5/12; A47K 5/14; A47K 5/1201;
A47K 5/1202; A47K 5/1205; A47K 5/1209;
B05B 1/00; B05B 1/005; B05B 11/3061; B05B
11/3087; B65D 47/00; B65D 47/2018;
F04B 9/14
See application file for complete search history.

(56) **References Cited**

U.S. PATENT DOCUMENTS

| | | | |
|-----------|---|---------|------------------|
| 3,138,301 | A | 6/1964 | Ward |
| 3,282,472 | A | 11/1966 | Roder |
| 3,430,826 | A | 3/1969 | Microulis |
| D220,832 | S | 6/1971 | Lapidus |
| 3,726,442 | A | 4/1973 | Davidson et al. |
| 3,874,562 | A | 4/1975 | Hazard |
| 3,907,174 | A | 9/1975 | Steiman |
| 4,036,438 | A | 7/1977 | Soderlind et al. |
| 4,146,155 | A | 3/1979 | Kutik et al. |
| 4,155,487 | A | 5/1979 | Blake |
| 4,174,056 | A | 11/1979 | Loeffler |
| 4,191,313 | A | 3/1980 | Blake et al. |
| 4,201,317 | A | 5/1980 | Aleff |
| 4,241,853 | A | 12/1980 | Pauls |
| 4,371,097 | A | 2/1983 | O'Neill |

FOREIGN PATENT DOCUMENTS

EP 0691161 A1 1/1996
EP 1389491 A1 2/2004
(Continued)

OTHER PUBLICATIONS

Patent Cooperation Treaty - International Searching Authority, PCT Notification of Transmittal of the International Search Report and the Written Opinion of the International Searching Authority, or the Declaration regarding Application No. PCT/US2020/40451 dated Sep. 30, 2020, 11 pages.

Primary Examiner — Wendy L Arminio
(74) *Attorney, Agent, or Firm* — Cislo & Thomas, LLP

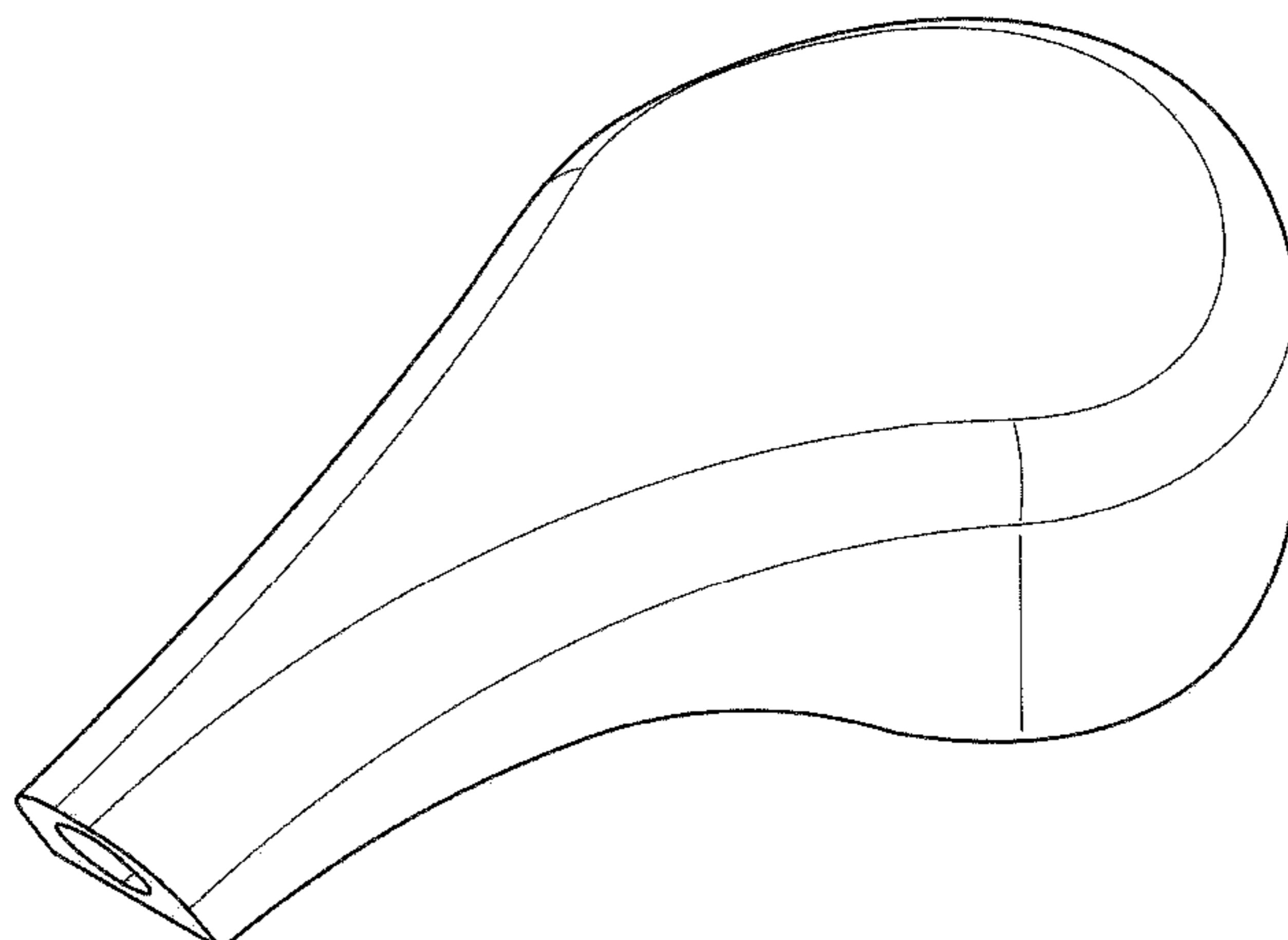
(57) **CLAIM**

The ornamental design for a LOTION PUMPACTUATOR as shown and described.

DESCRIPTION

FIG. 1 is a top perspective view of the Lotion Pump Actuator.
FIG. 2 is a bottom perspective view of the Lotion Pump Actuator of FIG. 1.
FIG. 3 a top view of the Lotion Pump Actuator of FIG. 1.
FIG. 4 is a bottom view of the Lotion Pump Actuator of FIG. 1.
FIG. 5 is a front view of the Lotion Pump Actuator of FIG. 1.
FIG. 6 is a rear side view of the Lotion Pump Actuator of FIG. 1.
FIG. 7 is a right side view of the Lotion Pump Actuator of FIG. 1.
FIG. 8 is a left side view of the Lotion Pump Actuator of FIG. 1.
The broken lines depict portions of the Lotion Pump Actuator that form no portion of the claimed design.

1 Claim, 6 Drawing Sheets



(56)

References Cited

U.S. PATENT DOCUMENTS

4,527,741 A 7/1985 Garneau
 4,591,077 A 5/1986 Corsette
 4,875,604 A 10/1989 Czech
 5,363,993 A 11/1994 Mascitelli et al.
 5,443,569 A 8/1995 Uehira et al.
 5,673,821 A 10/1997 Davis et al.
 5,673,824 A 10/1997 Evans
 5,711,459 A 1/1998 Glynn
 D392,887 S * 3/1998 Wadsworth D9/448
 D396,639 S 8/1998 Pedersen-Rask
 5,803,318 A 9/1998 Lina
 D406,761 S 3/1999 Garcia
 5,924,603 A 7/1999 Santagiuliana
 D415,427 S * 10/1999 Durliat D9/448
 D418,418 S * 1/2000 Wadsworth D9/448
 D420,288 S 2/2000 Garcia
 D424,938 S * 5/2000 Wise D9/448
 D427,527 S * 7/2000 Wise D9/448
 D429,642 S 8/2000 Garcia
 D438,468 S * 3/2001 Wadsworth D9/448
 D439,842 S 4/2001 Garcia
 D441,654 S 5/2001 Sayers
 6,290,145 B1 9/2001 Mizushima et al.
 D452,822 S * 1/2002 Boshuizen et al. D9/448
 6,478,197 B2 11/2002 Bethune et al.
 D466,017 S * 11/2002 Kuo D9/448
 D471,105 S * 3/2003 Gonzalez Fernandez D9/448
 D478,273 S 8/2003 Derman
 D499,966 S * 12/2004 Arminak D9/448
 D515,420 S 2/2006 Gardet
 D516,909 S 3/2006 Bloc
 D528,913 S * 9/2006 Penfold et al. D9/448
 D529,549 S 10/2006 Lapierre
 D536,972 S 2/2007 Van Der Heijden et al.
 D539,648 S * 4/2007 Arminak D9/448
 7,246,723 B2 7/2007 Santagiuliana
 D547,655 S * 7/2007 van der Heijden et al. ... D9/434
 D547,657 S 7/2007 Tacchella
 D548,079 S 8/2007 Van Der Heijden et al.
 D552,471 S 10/2007 Kuus
 D558,590 S * 1/2008 Cowan-Hughes et al. D9/682
 7,357,278 B2 4/2008 Navarro et al.
 D567,655 S 4/2008 Arminak
 D568,154 S * 5/2008 Arminak D9/448
 D574,707 S * 8/2008 Pietrowski et al. D9/448
 D586,212 S * 2/2009 Allen et al. D9/448
 D588,006 S * 3/2009 Boes et al. D9/448
 D595,132 S * 6/2009 Tseng D9/448
 7,578,417 B2 8/2009 Son
 D598,750 S * 8/2009 Boes et al. D9/448
 D599,667 S 9/2009 Gedmin
 7,802,701 B2 9/2010 Jahan et al.
 7,942,291 B2 5/2011 Foster
 D649,457 S * 11/2011 Rowen et al. D9/448
 8,297,475 B2 10/2012 Limbert et al.
 D668,151 S 10/2012 Abbondanzio et al.
 D706,133 S 6/2014 Robinson
 D714,642 S * 10/2014 Wang D9/448
 D716,665 S * 11/2014 O'Donahue et al. D9/682

D723,381 S * 3/2015 O'Donahue D9/682
 D730,733 S * 6/2015 O'Donahue D9/448
 D731,888 S * 6/2015 O'Donahue D9/448
 D767,392 S * 9/2016 Landrum et al. D9/448
 D778,998 S * 2/2017 Musselman et al. D21/682
 D801,171 S * 10/2017 Eziquiel-Shriro et al. D9/448
 D810,566 S * 2/2018 Kuo D9/448
 9,937,509 B2 4/2018 DeJong et al.
 9,962,723 B2 5/2018 Baughman
 10,335,816 B1 7/2019 Arminak
 10,434,532 B2 10/2019 Ophardt et al.
 D874,297 S 2/2020 Nabeta et al.
 D876,234 S 2/2020 Arminak
 D883,100 S * 5/2020 Yen D9/682
 10,794,445 B2 10/2020 Deman et al.
 11,236,794 B2 2/2022 Deman et al.
 2003/0116588 A1 6/2003 Santagiuliana
 2004/0055457 A1 3/2004 Masuda
 2005/0090414 A1 4/2005 Rich
 2005/0115990 A1 6/2005 Kang
 2006/0043117 A1 3/2006 Law et al.
 2006/0255071 A1 11/2006 Behar et al.
 2007/0119864 A1 5/2007 Tsai
 2008/0000933 A1 1/2008 Marelli
 2009/0008413 A1 1/2009 Choi et al.
 2009/0039110 A1 2/2009 Brouwer
 2010/0314417 A1 12/2010 Lee
 2011/0017779 A1 1/2011 Rossignol
 2011/0240677 A1 10/2011 Dwyer
 2012/0104048 A1 5/2012 Tseng
 2012/0241477 A1 9/2012 Uehira et al.
 2012/0267399 A1 10/2012 Moretti
 2013/0048755 A1 2/2013 Uehira et al.
 2013/0228482 A1 9/2013 Son
 2014/0097209 A1 4/2014 Kim
 2014/0239021 A1 8/2014 Xufeng et al.
 2015/0090741 A1 4/2015 Laffey
 2015/0352580 A1 12/2015 Kakuta
 2016/0318053 A1 11/2016 De Jong et al.
 2016/0332181 A1 11/2016 DeMan
 2017/0128966 A1* 5/2017 Law et al. B05B 11/3001
 2017/0128967 A1* 5/2017 Law et al. B05B 11/3001
 2017/0265691 A1 9/2017 Ophardt et al.
 2017/0291185 A1 10/2017 Kim et al.
 2017/0326567 A1 11/2017 Santagiuliana
 2017/0368564 A1* 12/2017 Baker et al. B05B 11/3087
 2018/0171998 A1 6/2018 Sun
 2018/0290161 A1 10/2018 Lee
 2019/0083995 A1 3/2019 Knight
 2020/0148526 A1 5/2020 Rittenburg et al.
 2020/0290793 A1 9/2020 Driskell
 2020/0331015 A1* 10/2020 Lee B05B 11/3087
 2021/0000306 A1 1/2021 Arminak
 2021/0310469 A1 10/2021 Huang

FOREIGN PATENT DOCUMENTS

EP 1938903 A2 7/2008
 JP H07101480 A 4/1995
 JP 2014166624 A 9/2014

* cited by examiner

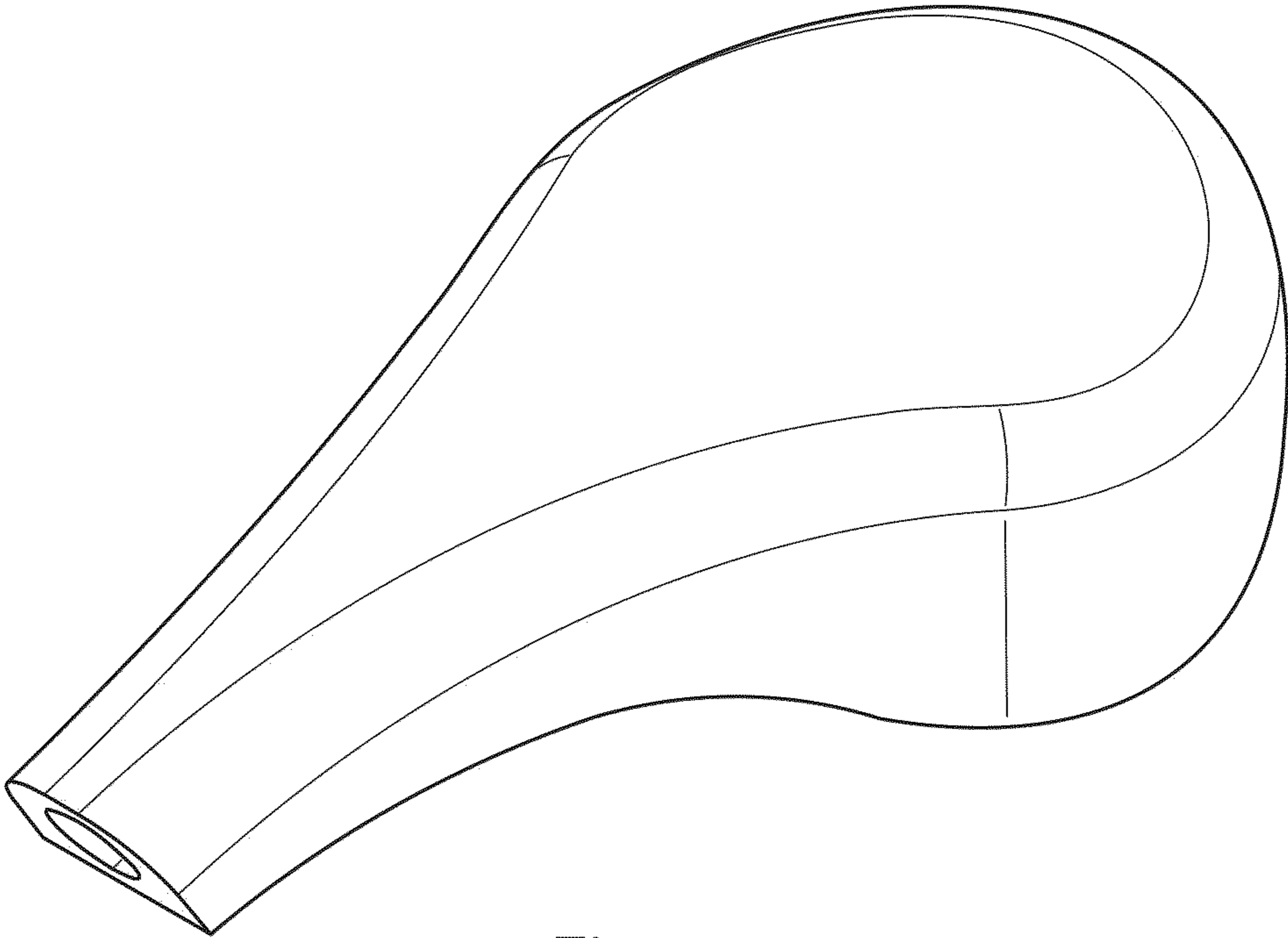


Fig. 1

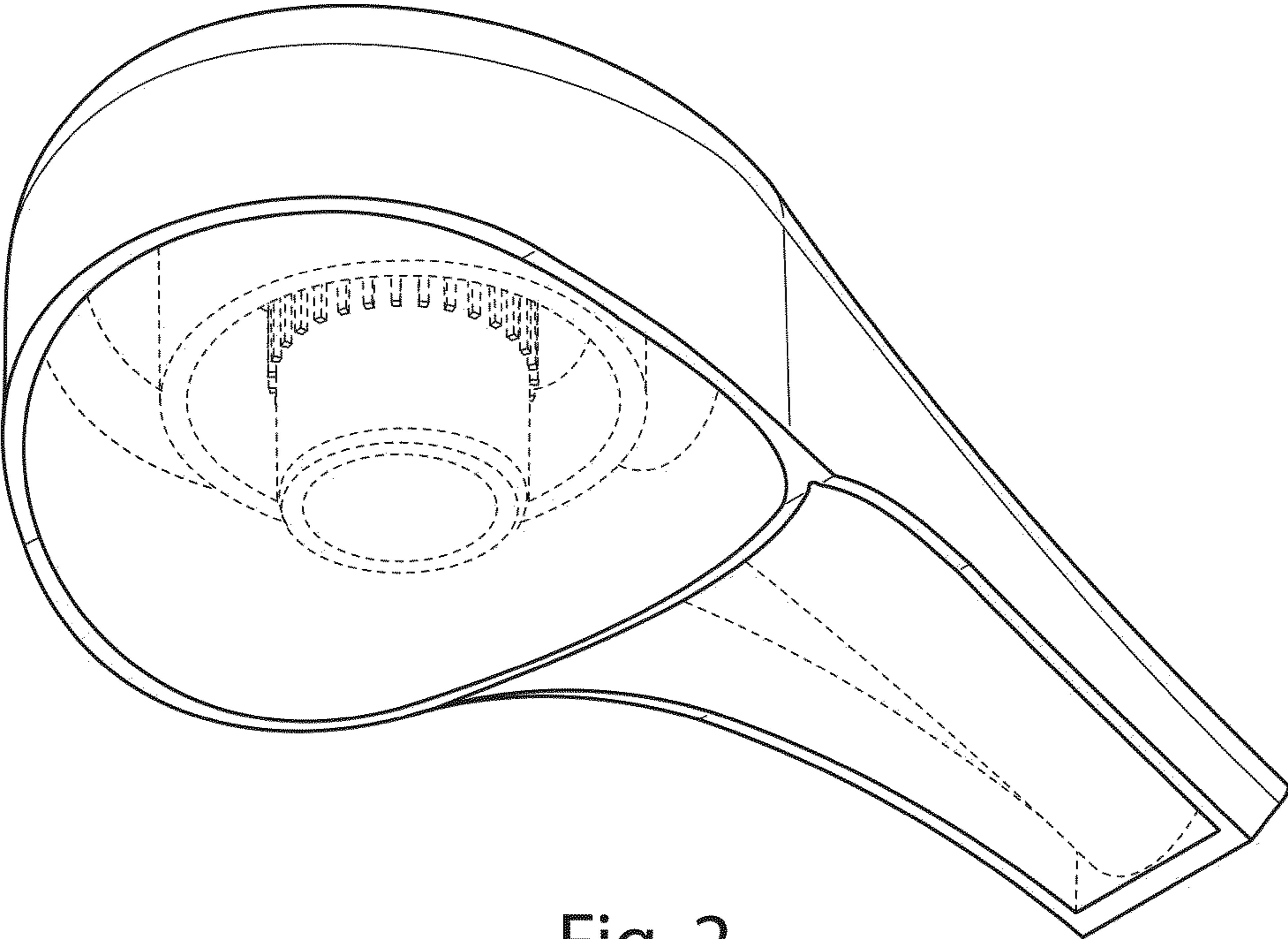


Fig. 2

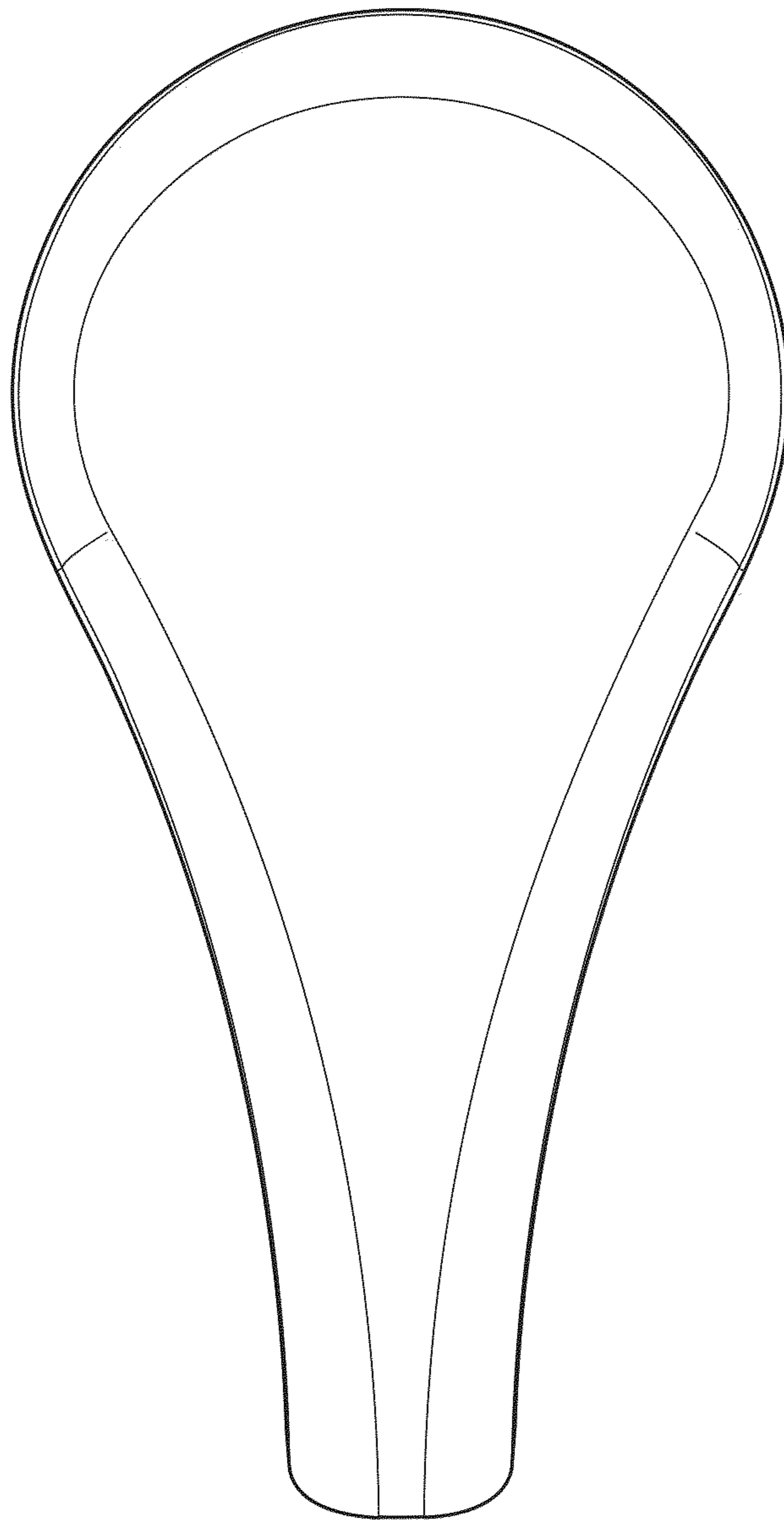


Fig. 3

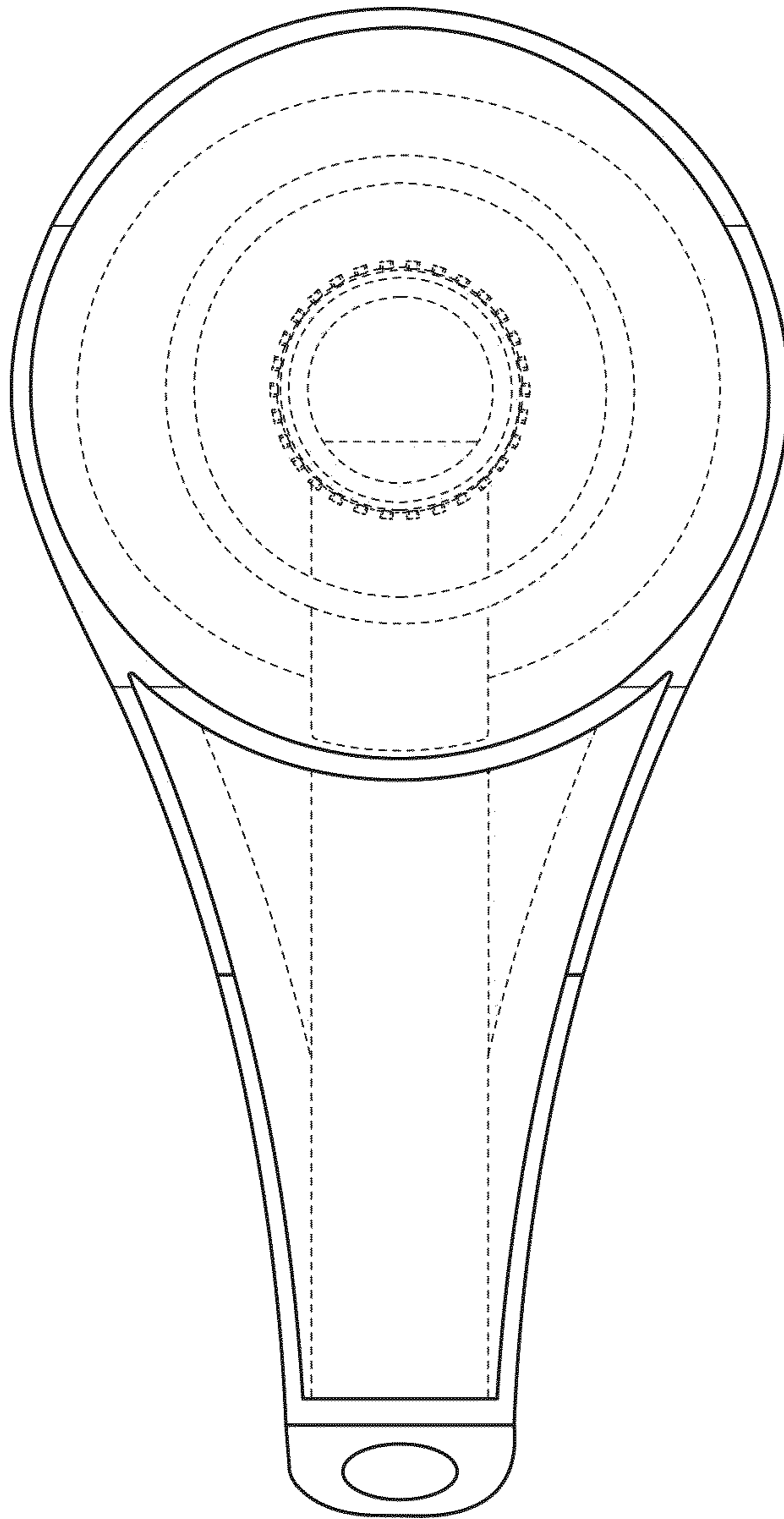


Fig. 4

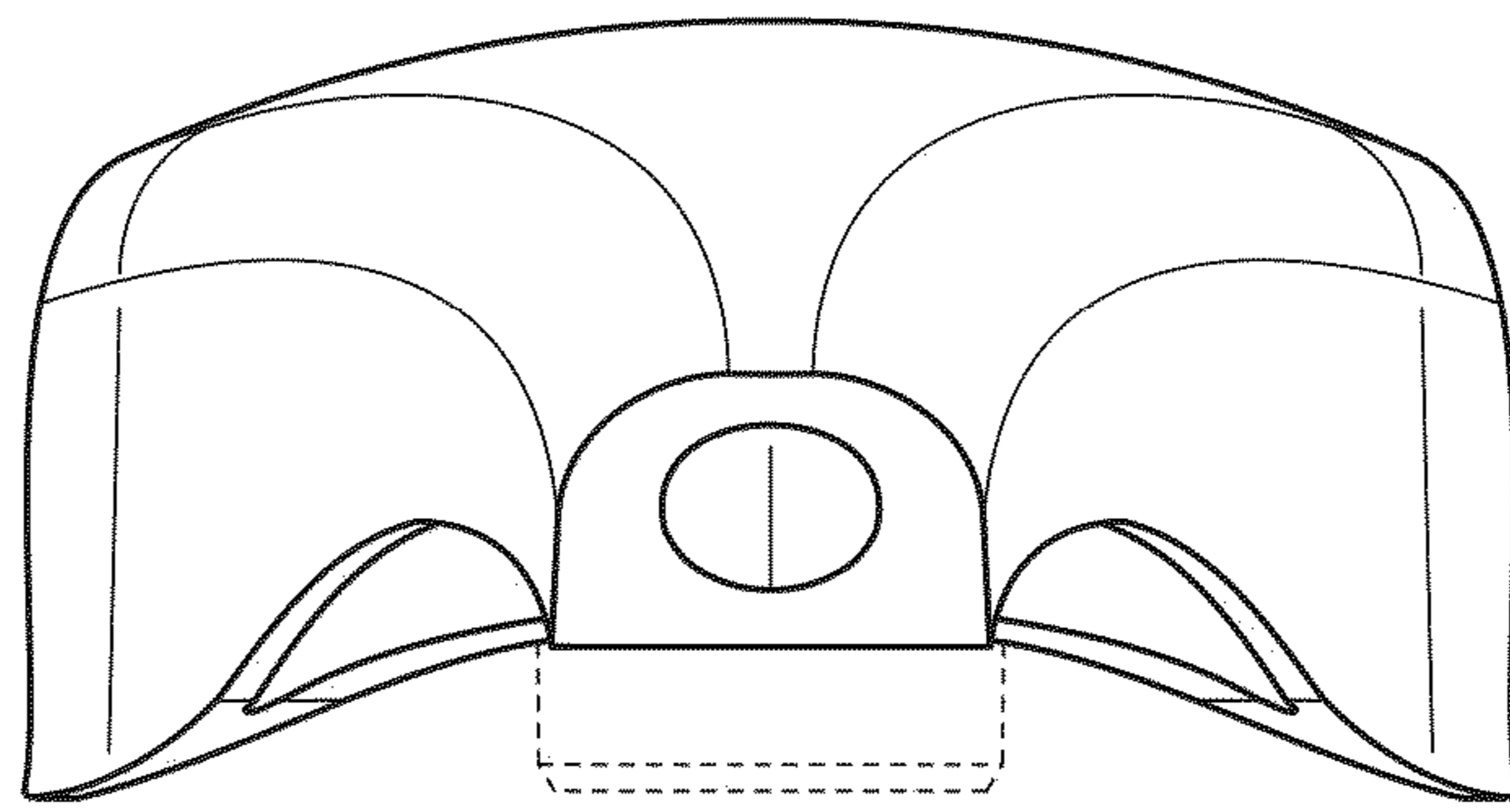


Fig. 5

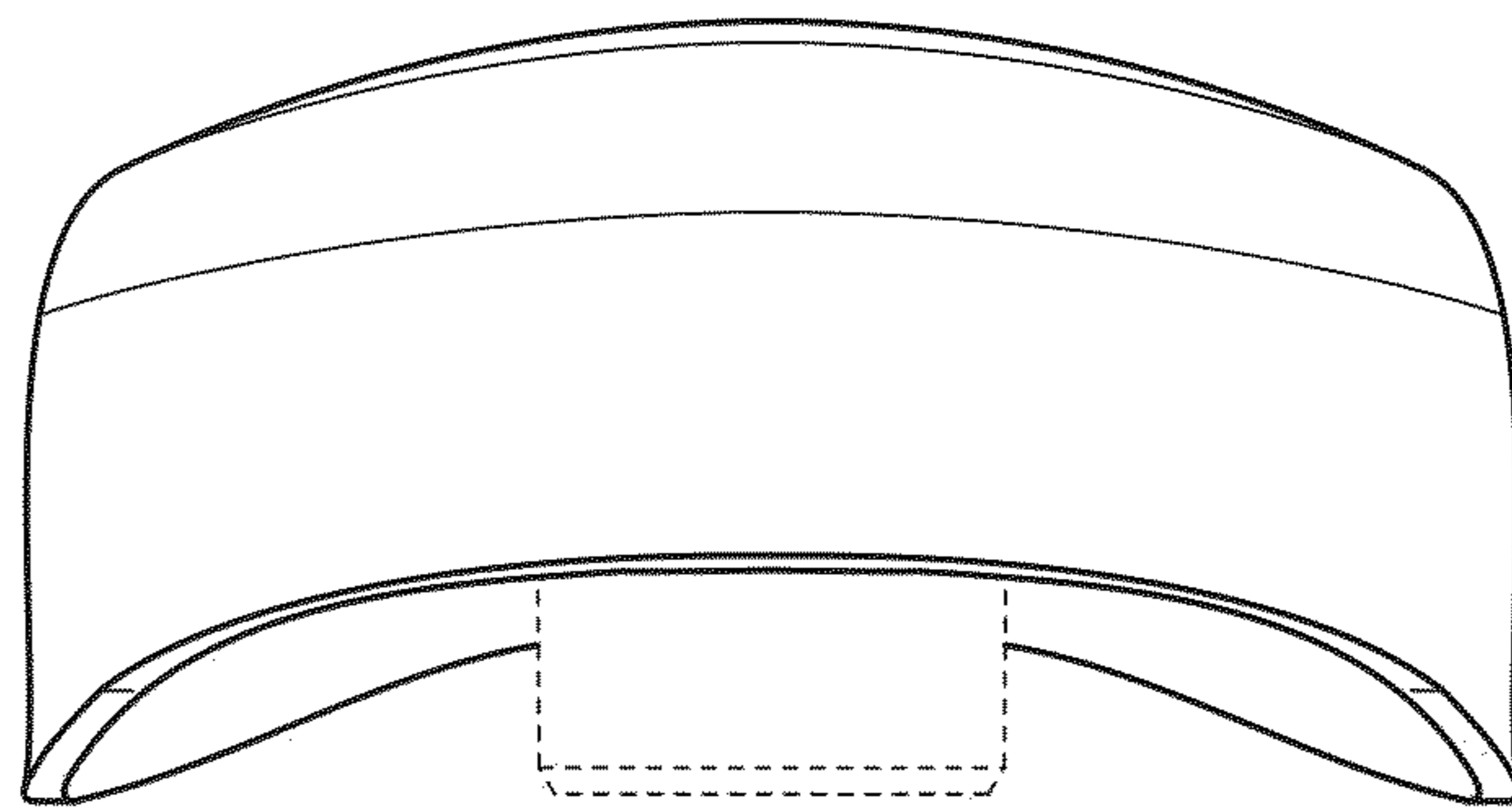


Fig. 6

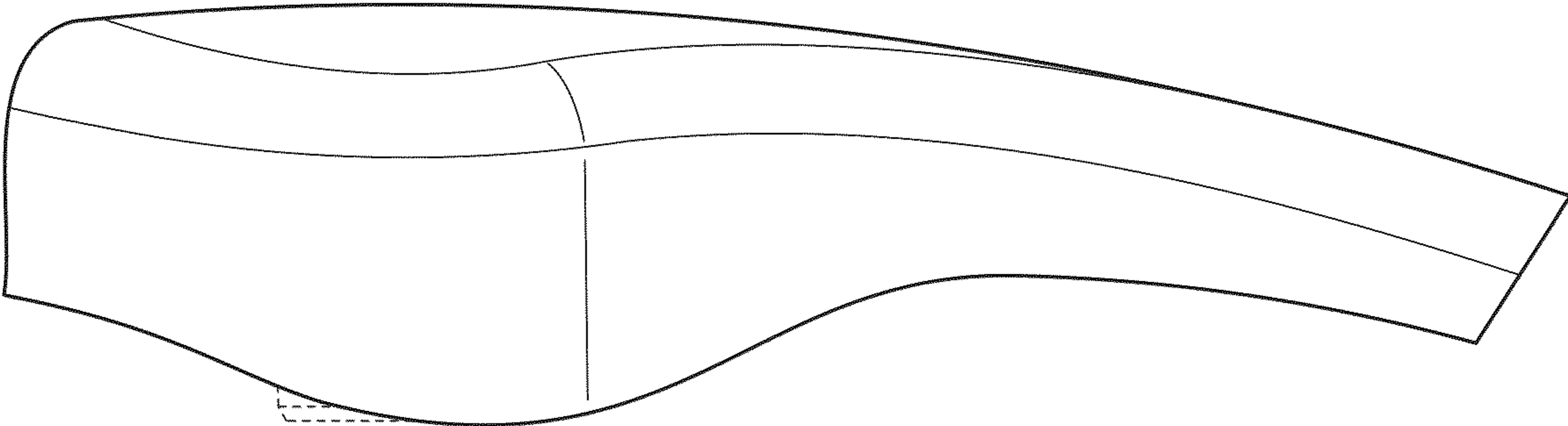


Fig. 7

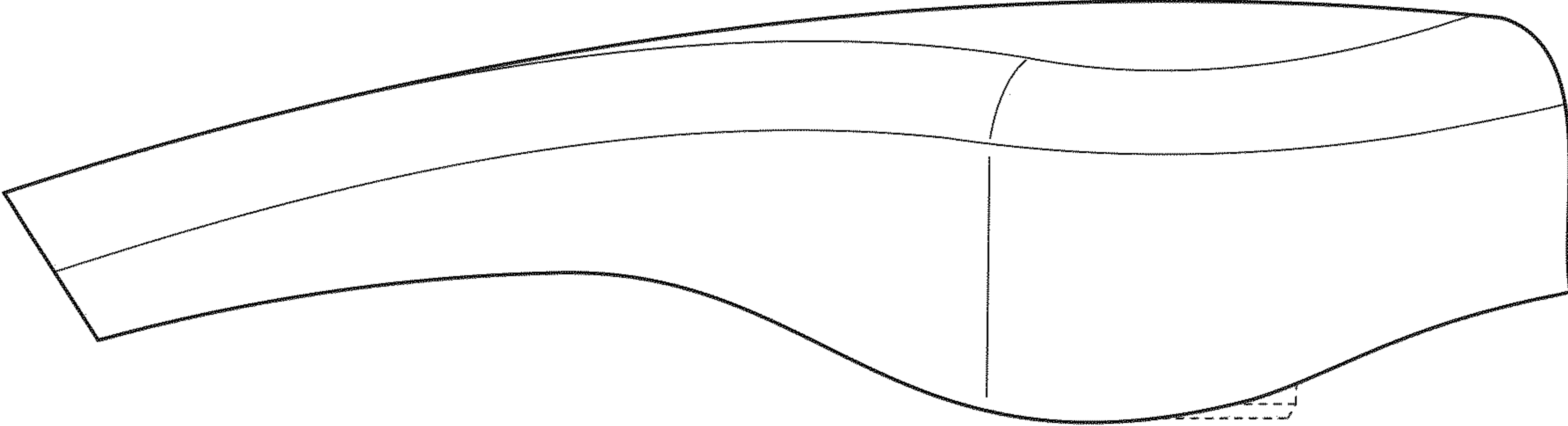


Fig. 8