



US00D991780S

(12) **United States Design Patent**  
**Michael et al.**

(10) **Patent No.:** **US D991,780 S**  
(45) **Date of Patent:** **\*\* Jul. 11, 2023**

- (54) **SOLAR PANEL CABLE RETENTION CLIP**
- (71) Applicant: **SHOALS TECHNOLOGIES GROUP, LLC**, Portland, TN (US)
- (72) Inventors: **Dorothy Michael**, Portland, TN (US);  
**Steve Ferguson**, Portland, TN (US);  
**Joaquin Pereda**, Portland, TN (US)
- (73) Assignee: **SHOALS TECHNOLOGIES GROUP, LLC**, Portland, TN (US)
- (\*\*) Term: **15 Years**
- (21) Appl. No.: **29/808,451**
- (22) Filed: **Sep. 20, 2021**
- (51) **LOC (14) Cl.** ..... **08-11**
- (52) **U.S. Cl.**  
USPC ..... **D8/364; D8/356**
- (58) **Field of Classification Search**  
USPC ..... D8/382, 383, 394, 395, 356, 364, 396;  
D13/154; D23/265  
CPC ..... F16B 2/02; F16B 2/04; F16B 2/06; F16B  
2/20; F16B 2/22; F16B 2/246  
See application file for complete search history.

D753,260 S *	4/2016	Solovov, Jr. ....	D9/414
D755,043 S *	5/2016	Bailey .....	D8/394
D899,237 S *	10/2020	Peck .....	D8/382
11,236,858 B1 *	2/2022	Rigby .....	H02G 3/263
2003/0061690 A1 *	4/2003	Finley .....	F16B 2/20 24/336

\* cited by examiner

*Primary Examiner* — Calvin E Vansant  
*Assistant Examiner* — Benjamin Lucas Gray  
(74) *Attorney, Agent, or Firm* — Maschoff Brennan

(57) **CLAIM**

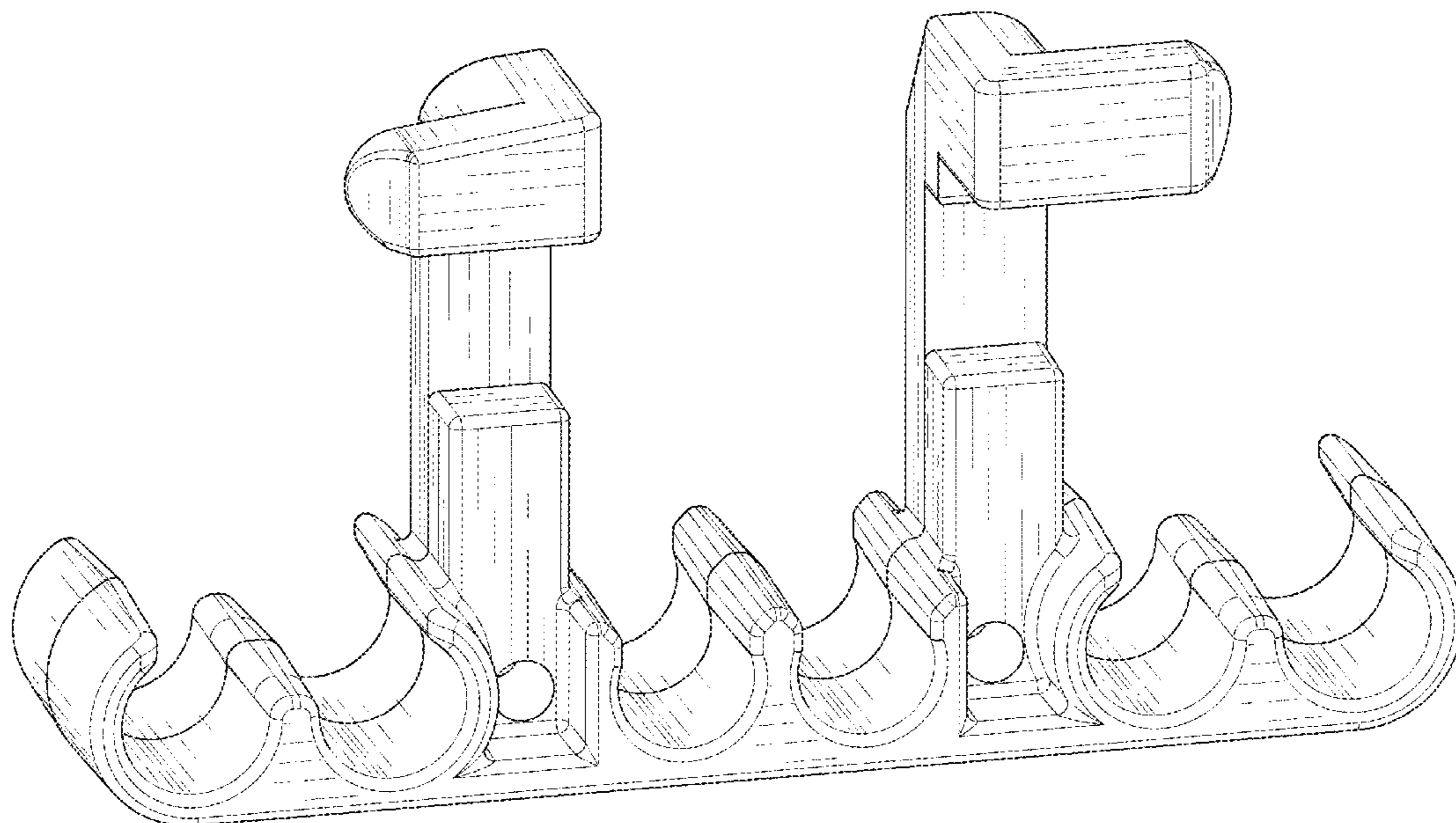
The ornamental design for a solar panel cable retention clip, as shown and described.

**DESCRIPTION**

FIG. 1 is a lower perspective view of the solar panel cable retention clip in an environment of use;  
 FIG. 2 is an upper perspective view of the solar panel cable retention clip of FIG. 1;  
 FIG. 3 is a front view of the solar panel cable retention clip of FIG. 1;  
 FIG. 4 is a rear view of the solar panel cable retention clip of FIG. 1;  
 FIG. 5 is a right-side view of the solar panel cable retention clip of FIG. 1;  
 FIG. 6 is a left-side view of the solar panel cable retention clip of FIG. 1;  
 FIG. 7 is a top view of the solar panel cable retention clip of FIG. 1; and,  
 FIG. 8 is a bottom view of the solar panel cable retention clip of FIG. 1.  
 The broken lines in FIG. 1 are included for the purpose of illustrating environmental structure and form no part of the claimed design.

**1 Claim, 7 Drawing Sheets**

- (56) **References Cited**  
U.S. PATENT DOCUMENTS
- 3,233,851 A \* 2/1966 Lemieux ..... H02G 3/0437  
D8/394
- 3,353,567 A \* 11/1967 Isreeli ..... F04B 43/1223  
D8/394
- 3,564,668 A \* 2/1971 Kirk ..... B43K 23/001  
D8/395
- D269,851 S \* 7/1983 Kimura ..... D8/356
- D331,698 S \* 12/1992 Pezzoli ..... D9/434
- D332,401 S \* 1/1993 Araujo, Jr. .... D9/434
- D379,060 S \* 5/1997 Laga ..... D8/373
- D728,349 S \* 5/2015 Lake ..... D8/356



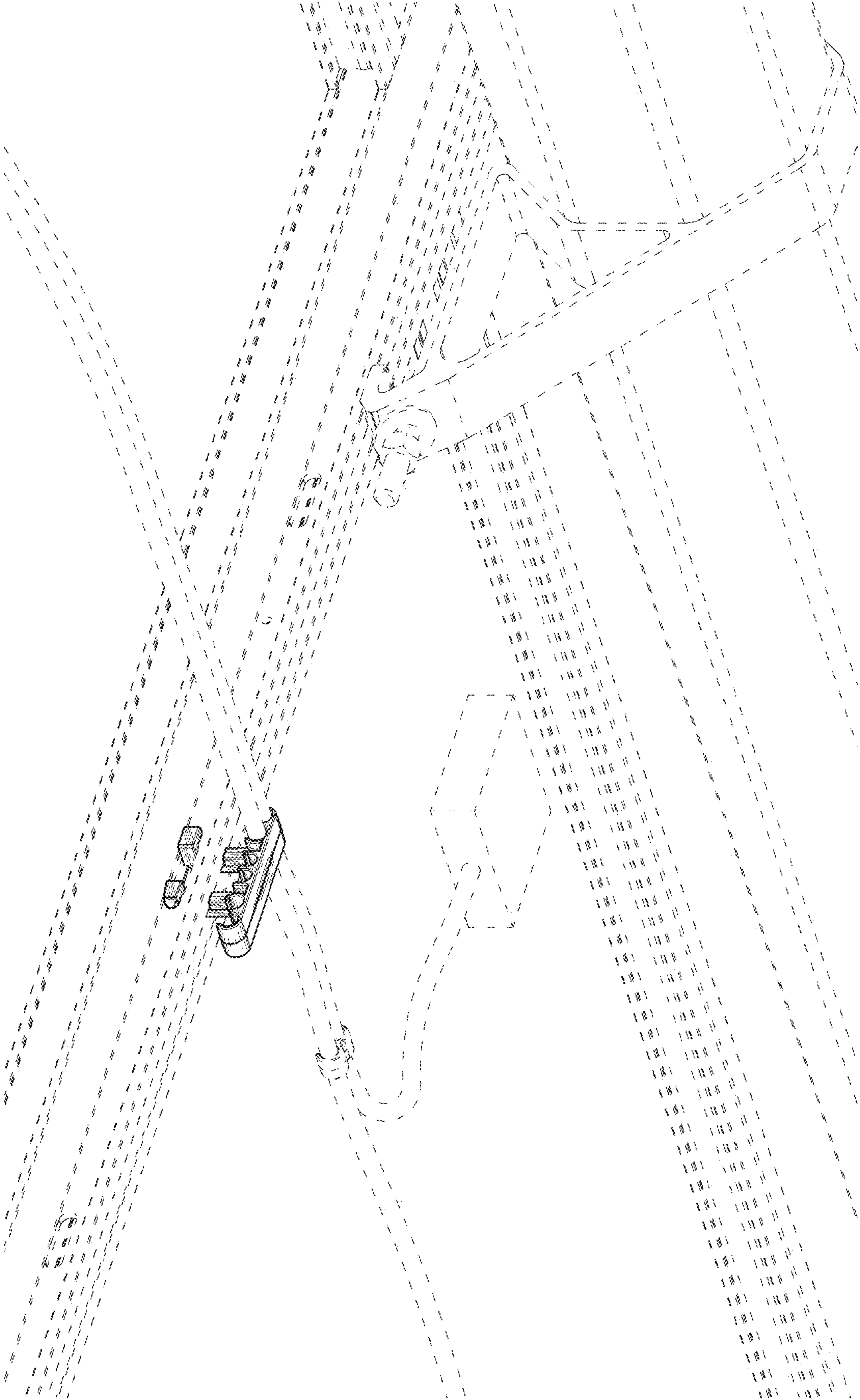


FIG. 1

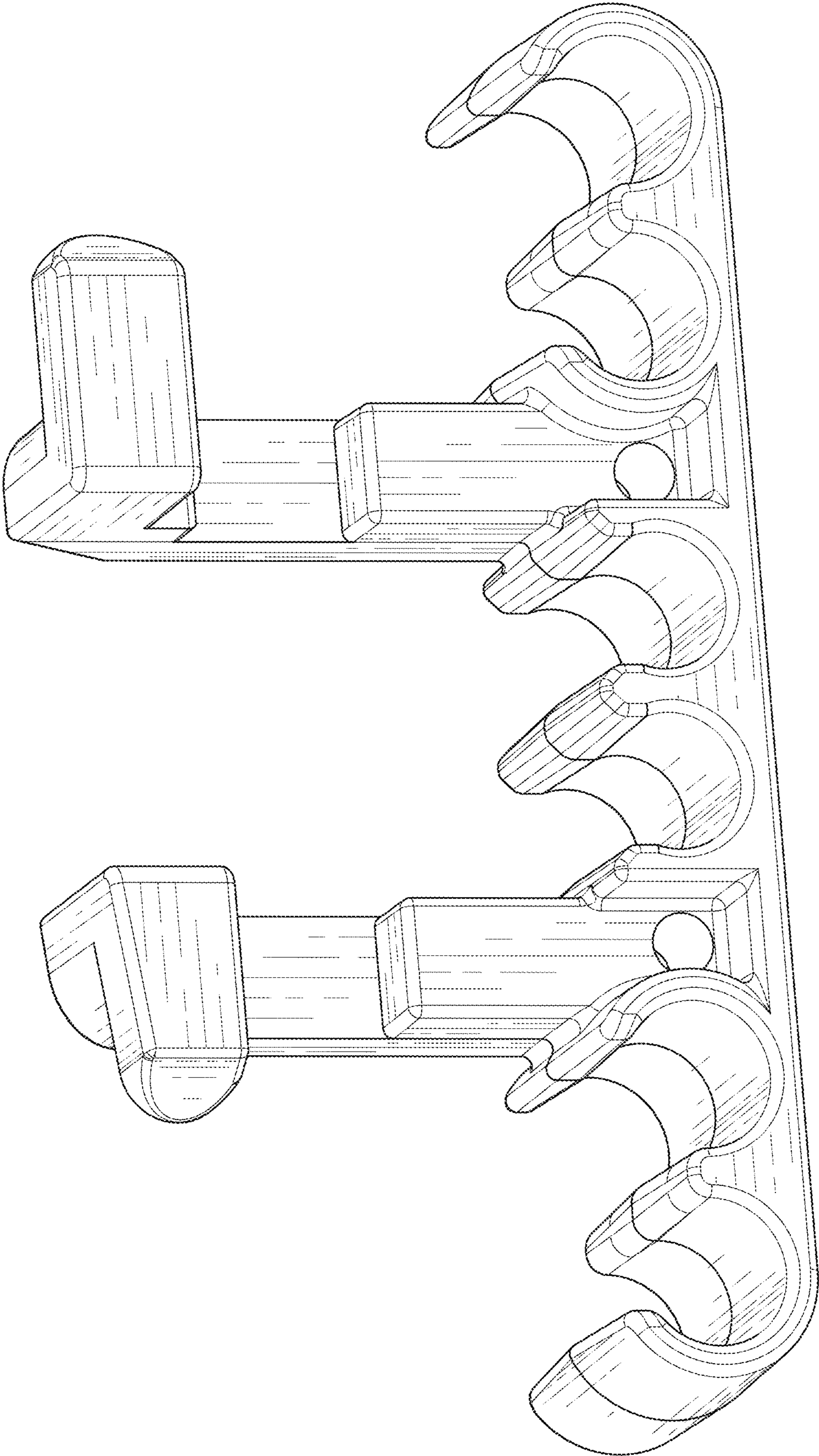


FIG. 2

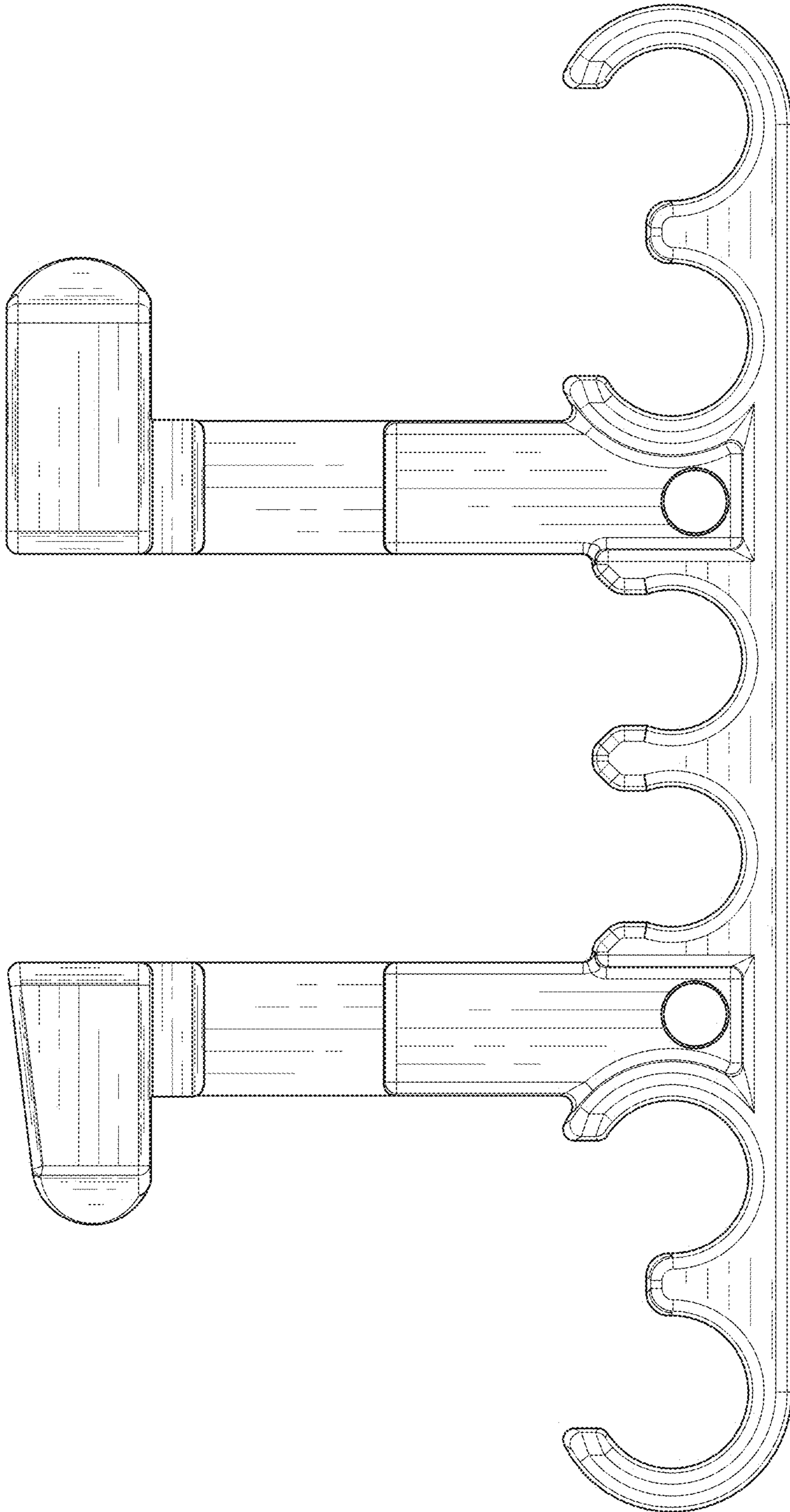


FIG. 3

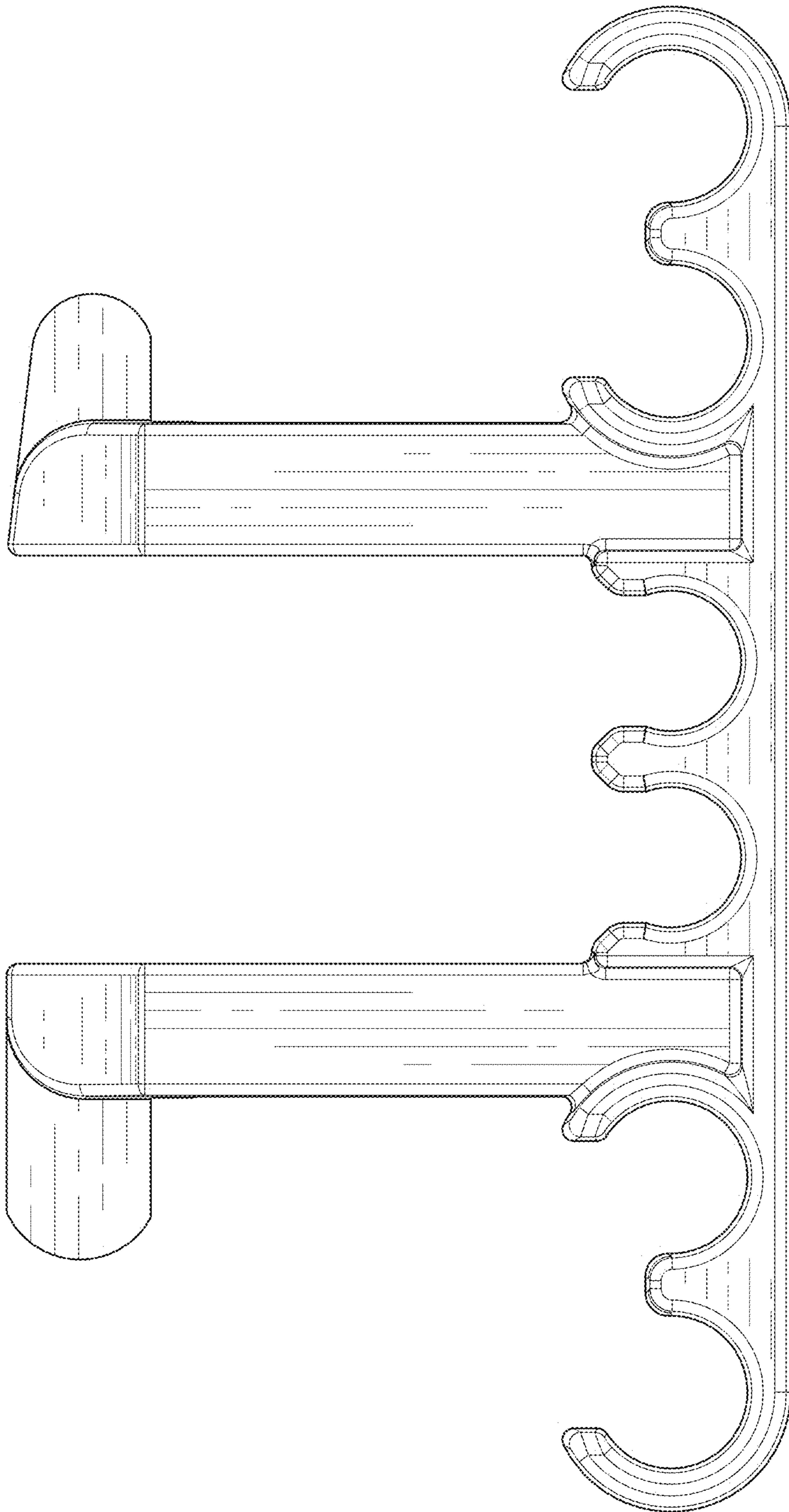


FIG. 4

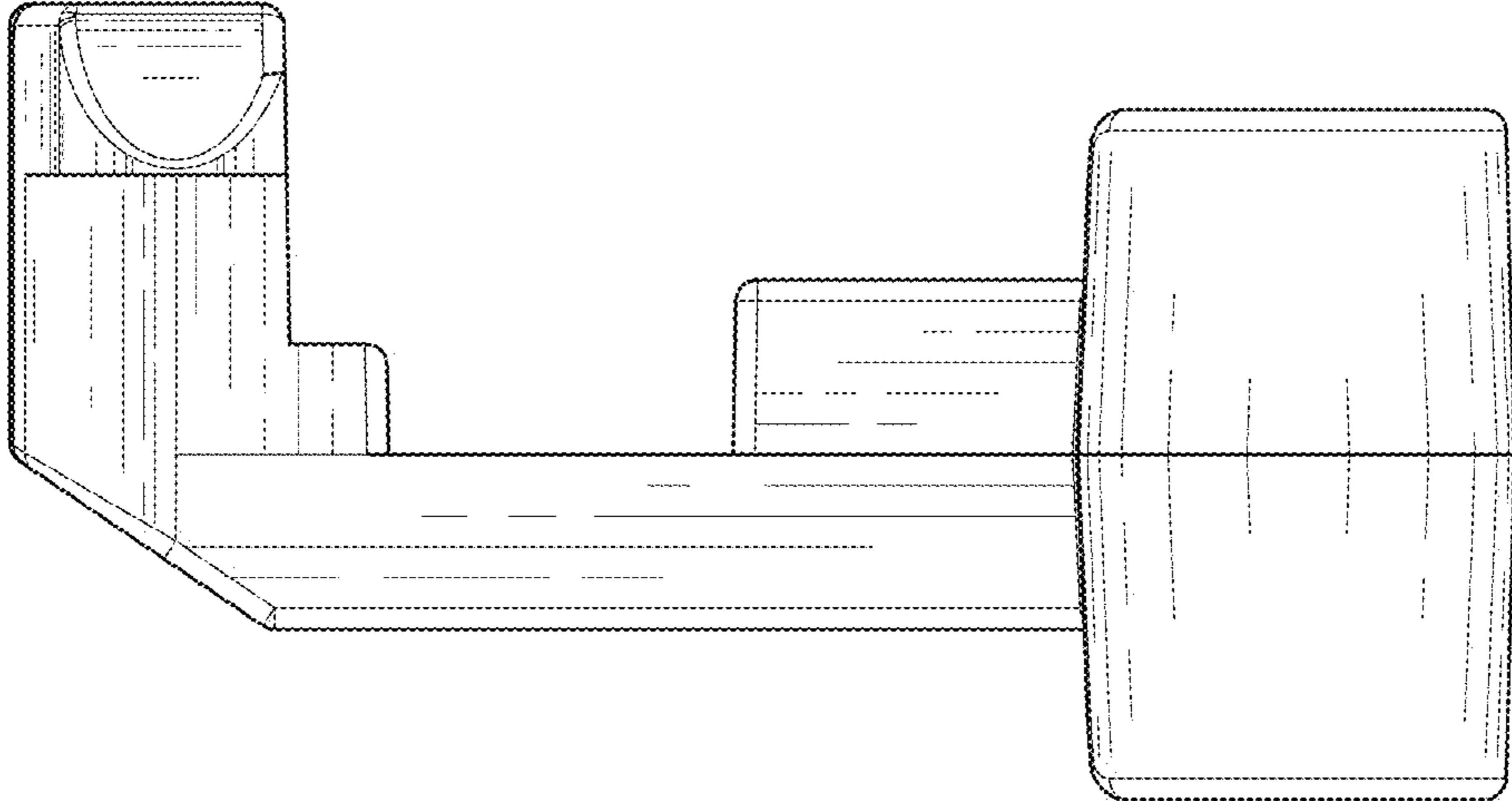


FIG. 5

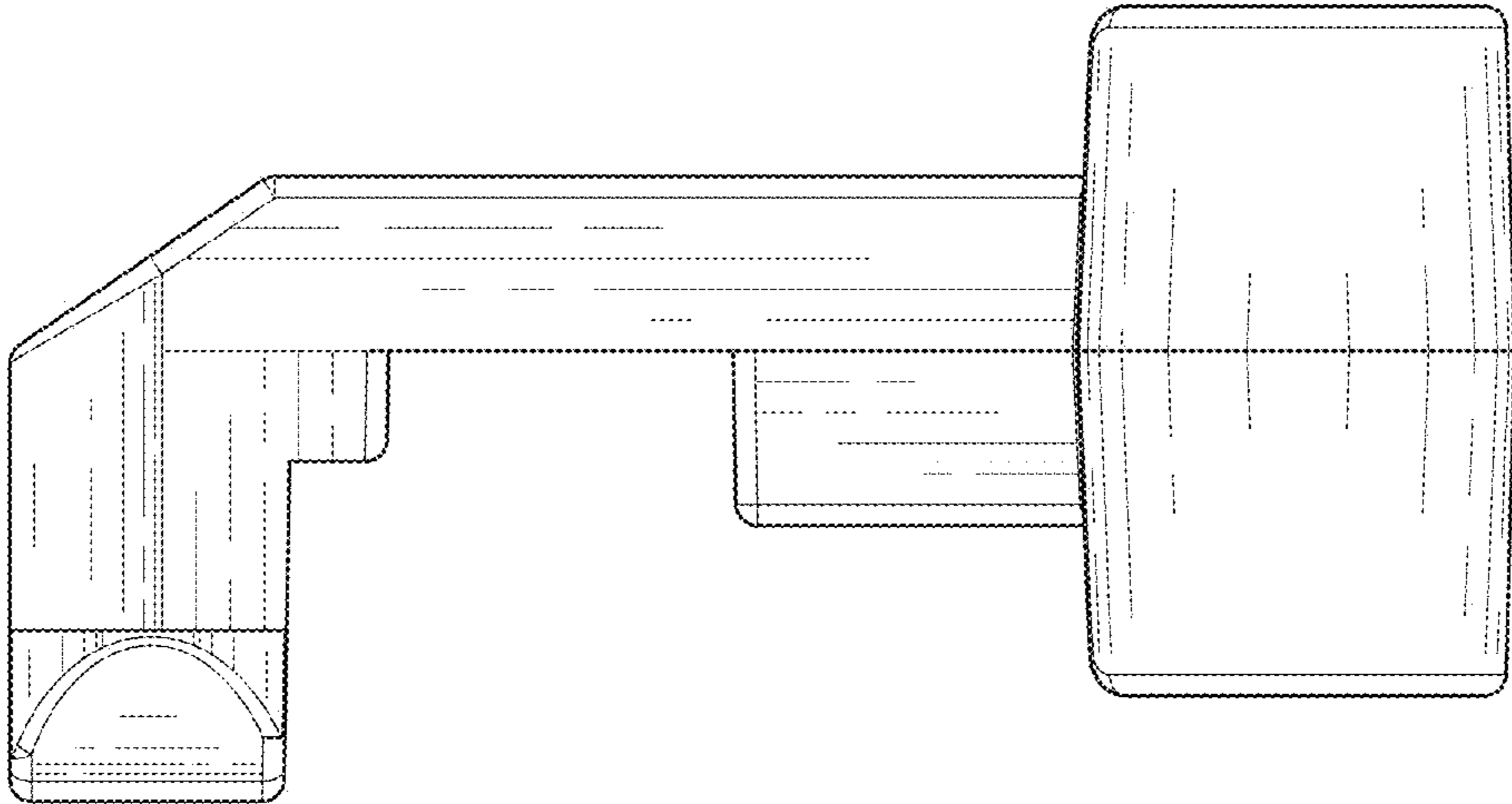


FIG. 6

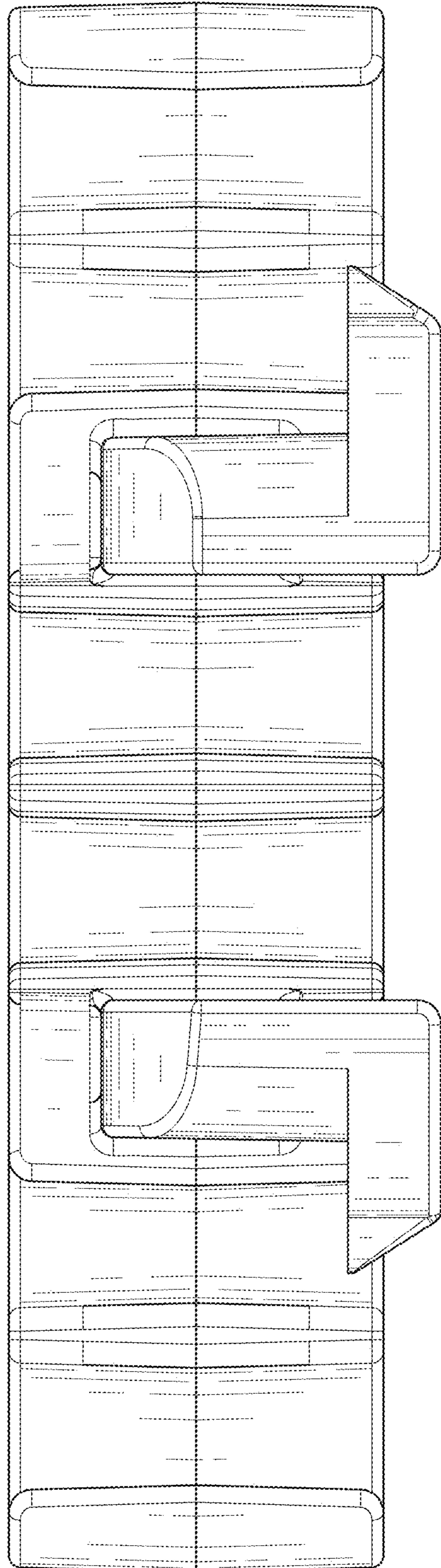


FIG. 7

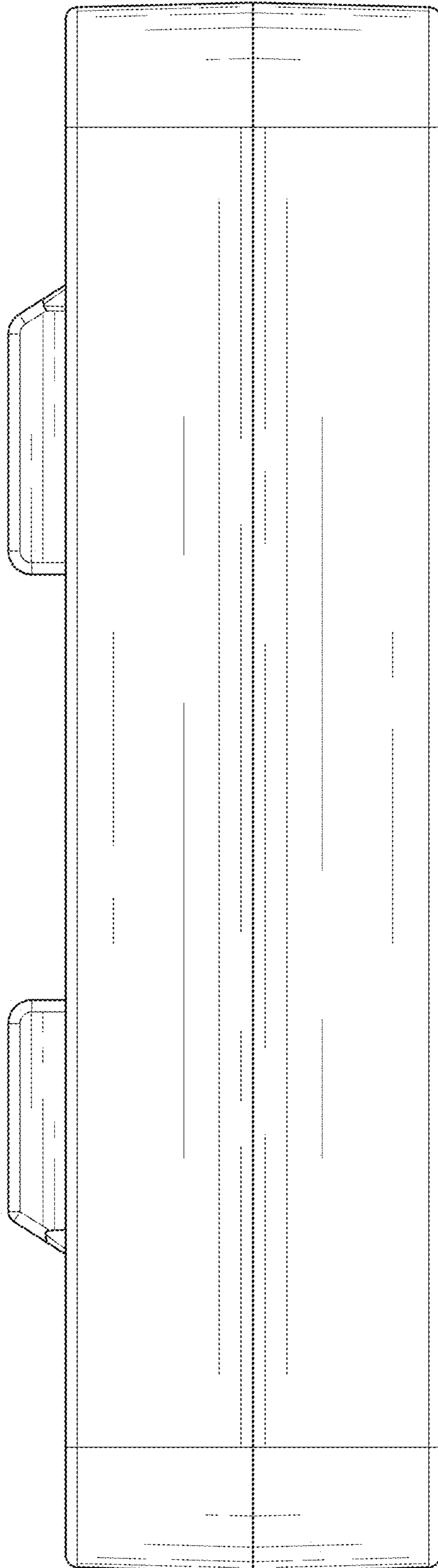


FIG. 8