



US00D991584S

(12) **United States Design Patent**
Pankey

(10) **Patent No.:** **US D991,584 S**

(45) **Date of Patent:** **** Jul. 4, 2023**

(54) **ELEVATED BATHTUB FOR PETS**

(71) Applicant: **Ryan Pankey**, Bloomington, IL (US)

(72) Inventor: **Ryan Pankey**, Bloomington, IL (US)

(**) Term: **15 Years**

(21) Appl. No.: **29/804,192**

(22) Filed: **Aug. 18, 2021**

(51) **LOC (14) Cl.** **30-10**

(52) **U.S. Cl.**

USPC **D30/158**

(58) **Field of Classification Search**

USPC D30/158, 159, 199; D23/277, 278,
D23/280.1, 280.4

CPC A01K 13/00; A01K 13/001; A01K 13/002

See application file for complete search history.

(56) **References Cited**

U.S. PATENT DOCUMENTS

2,907,051 A * 10/1959 Phillips A47K 3/074
4/585

D456,882 S * 5/2002 Funk, Jr. D23/280.4

7,357,098 B2 * 4/2008 Foster A01K 13/001
119/673

D780,472 S * 3/2017 Behar A01K 13/001
D6/390

D902,362 S * 11/2020 Li D23/278

D940,284 S * 1/2022 Mu D23/277

D940,285 S * 1/2022 Mu D23/277

D965,752 S * 10/2022 Lou D23/277

D971,387 S * 11/2022 Baldelli A01K 13/001
D23/278

2007/0039559 A1 * 2/2007 Foster A01K 13/001
119/676

2009/0223464 A1 * 9/2009 Dumenil A01K 13/001
119/676

2019/0375539 A1 * 12/2019 Mu A47B 3/091

2019/0375546 A1 * 12/2019 Mu B65D 21/086

OTHER PUBLICATIONS

Booster Bath Elevated Pet Bathing (Large Teal), posted Aug. 3, 2011, retrieved Apr. 4, 2023 [online]. URL: <https://www.amazon.com/Booster-Bath-Elevated-Bathing-Large/dp/B005THTCYE> (Year: 2011).*

Furesh Elevated Folding Dog Bath Tub and Wash Station (gray), posted Feb. 28, 2020, retrieved Apr. 4, 2023 [online]. URL: <https://www.amazon.com/dp/B0858ZL2P1> (Year: 2020).*

PawBest Dog Grooming Plastic Free Standing Bathtub, posted Jul. 29, 2020, retrieved Apr. 4, 2023 [online]. URL: <https://www.amazon.com/PawBest-Grooming-Plastic-Standing-Bathtub/dp/B08DWVCD3V> (Year: 2020).*

(Continued)

Primary Examiner — Sheryl Lane

Assistant Examiner — Emily A Caven

(74) *Attorney, Agent, or Firm* — Barry Choobin; Patent 360

(57) **CLAIM**

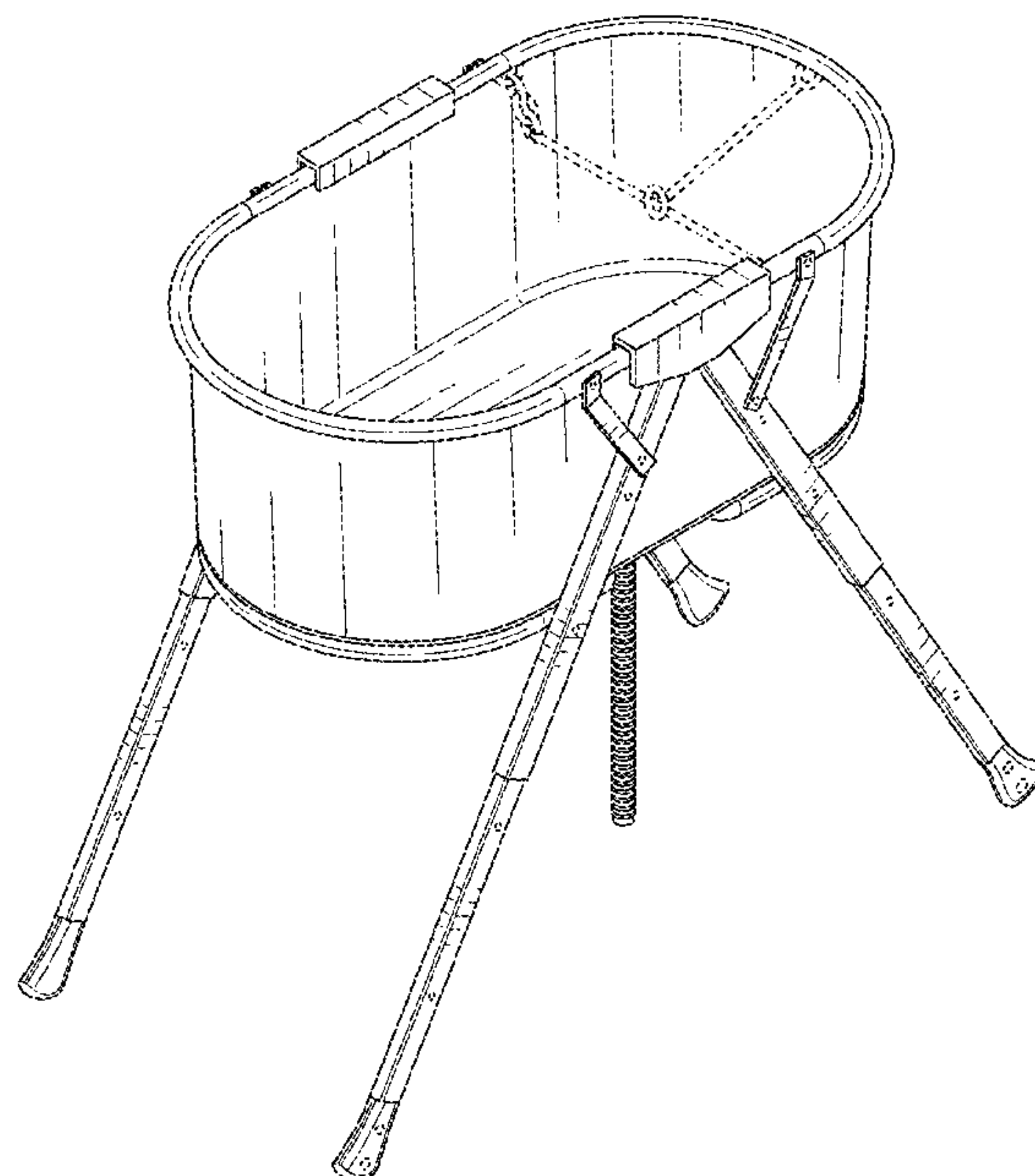
The ornamental design for an elevated bathtub for pets, as shown and described.

DESCRIPTION

FIG. 1 is a perspective view of an elevated bathtub for pets, showing my new design;
FIG. 2 is a front view thereof;
FIG. 3 is a rear view thereof;
FIG. 4 is a right-side view thereof;
FIG. 5 is a left-side view thereof;
FIG. 6 is a top view thereof; and,
FIG. 7 is a bottom view thereof.

The broken lines depict portions of the article that form no part of the claimed design.

1 Claim, 6 Drawing Sheets



(56)

References Cited

OTHER PUBLICATIONS

Tineye reverse image search of NPL citation “Newborn infant . . .”, first found Oct. 2, 2021, retrieved Apr. 4, 2023 [online]. URL: https://tineye.com/search/06c0806b66da0af0caa6c35-6f28cec0e821b7f9a?sort=crawl_date&order=asc&page=1 (Year: 2021).*

Newborn infant portable baby bath tub rack set, posting date unavailable, retrieved Apr. 4, 2023 [online]. URL: https://www.alibaba.com/product-detail/Newborn-infant-portable-baby-bath-tub_1600294783472.html (Year: 2023).*

Elevated Portable Foldable Pet Dog Bath Tub Wash Station, posting date unavailable, retrieved Apr. 4, 2023 [online]. URL: <https://www.aliexpress.us/item/3256803980361347.html> (Year: 2023).*

* cited by examiner



FIG. 1

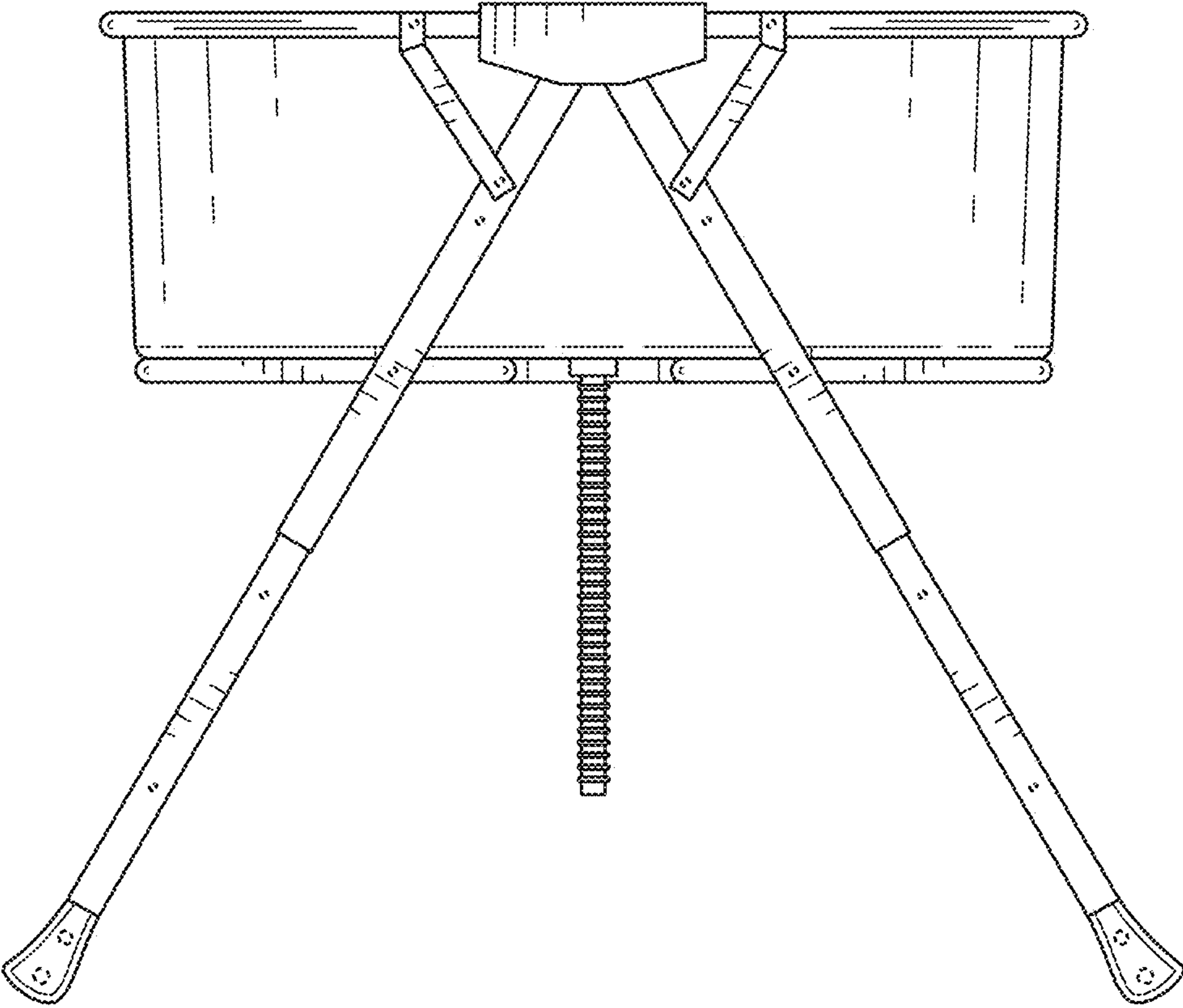


FIG. 2

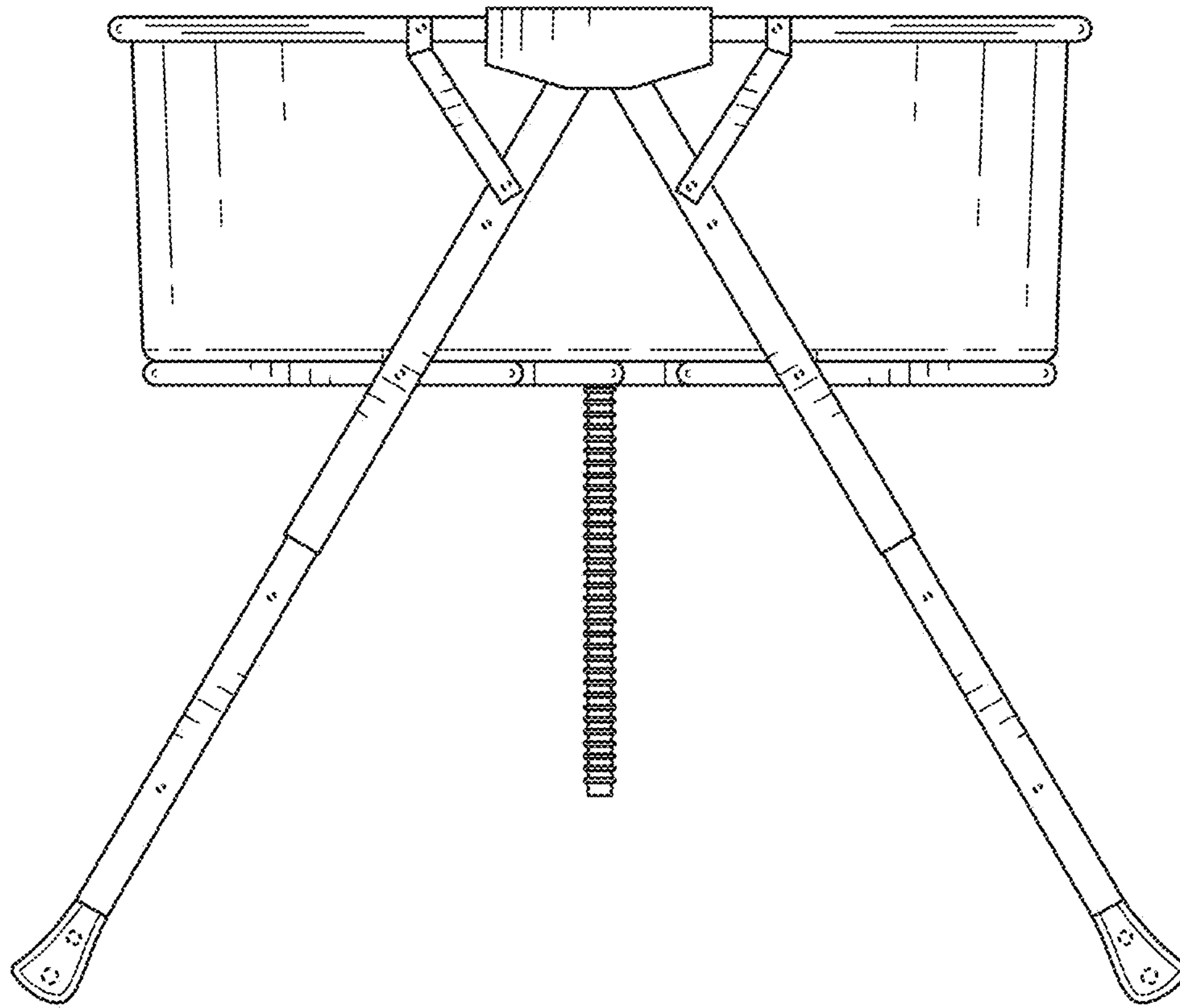


FIG. 3

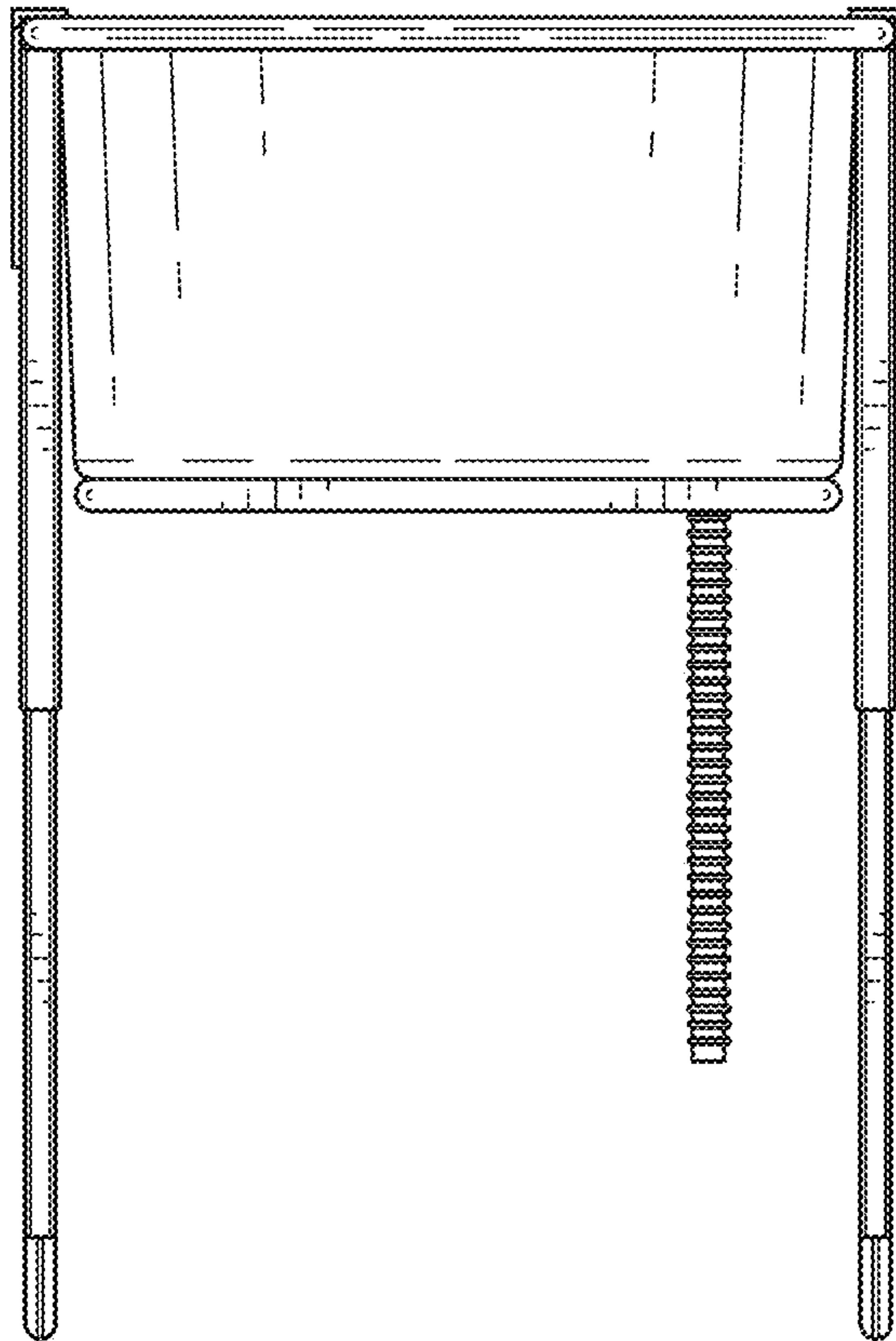


FIG. 4

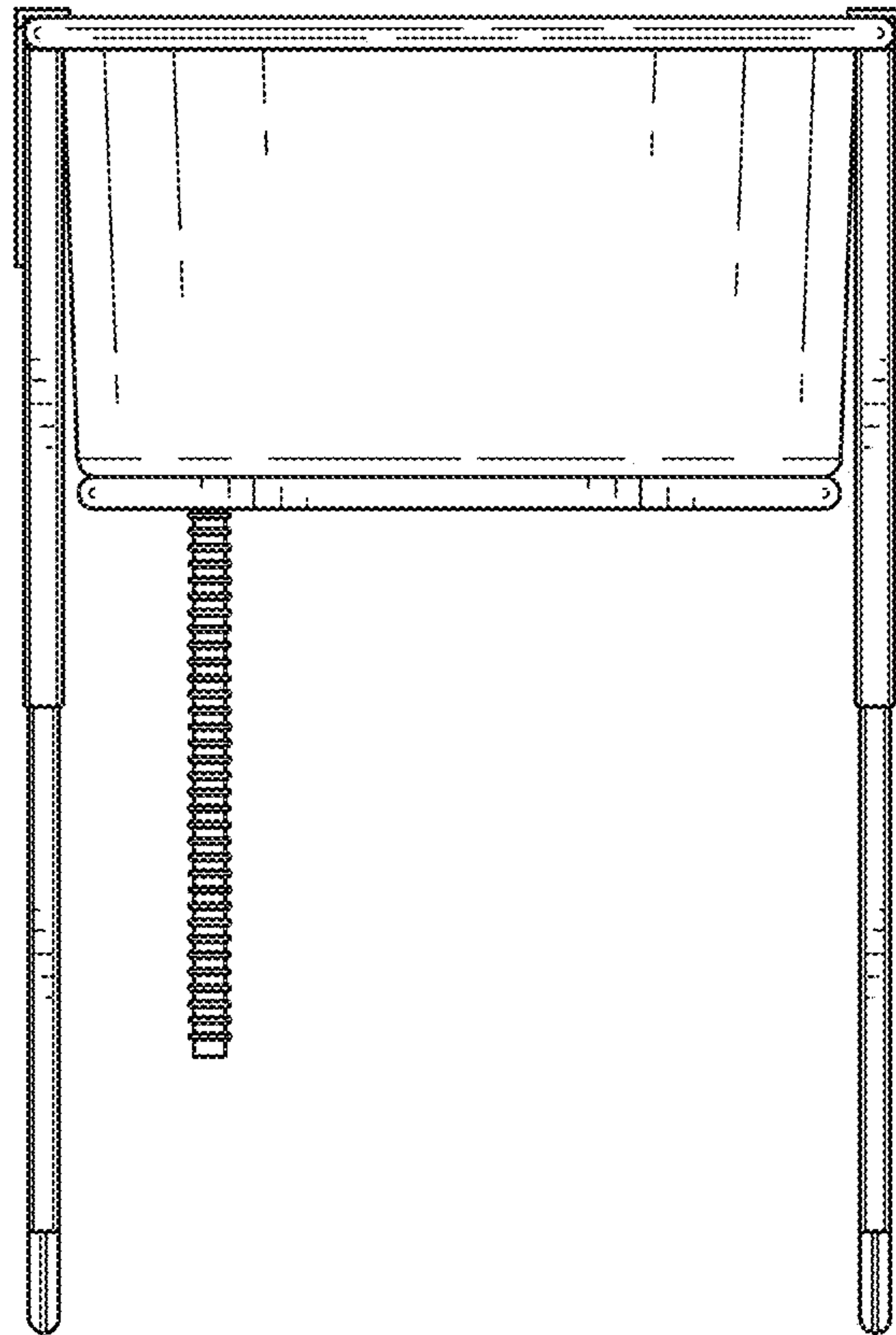


FIG. 5

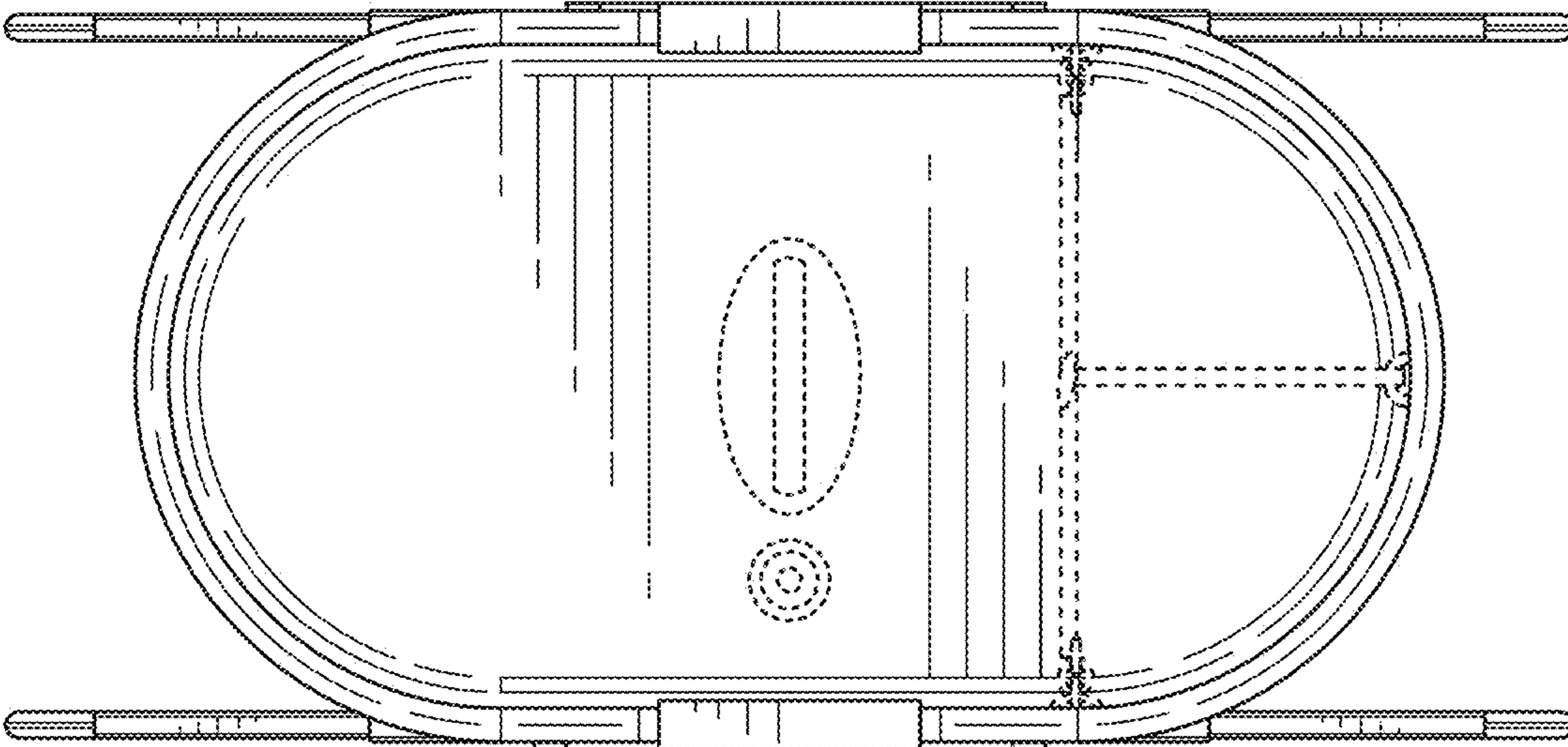


FIG. 6

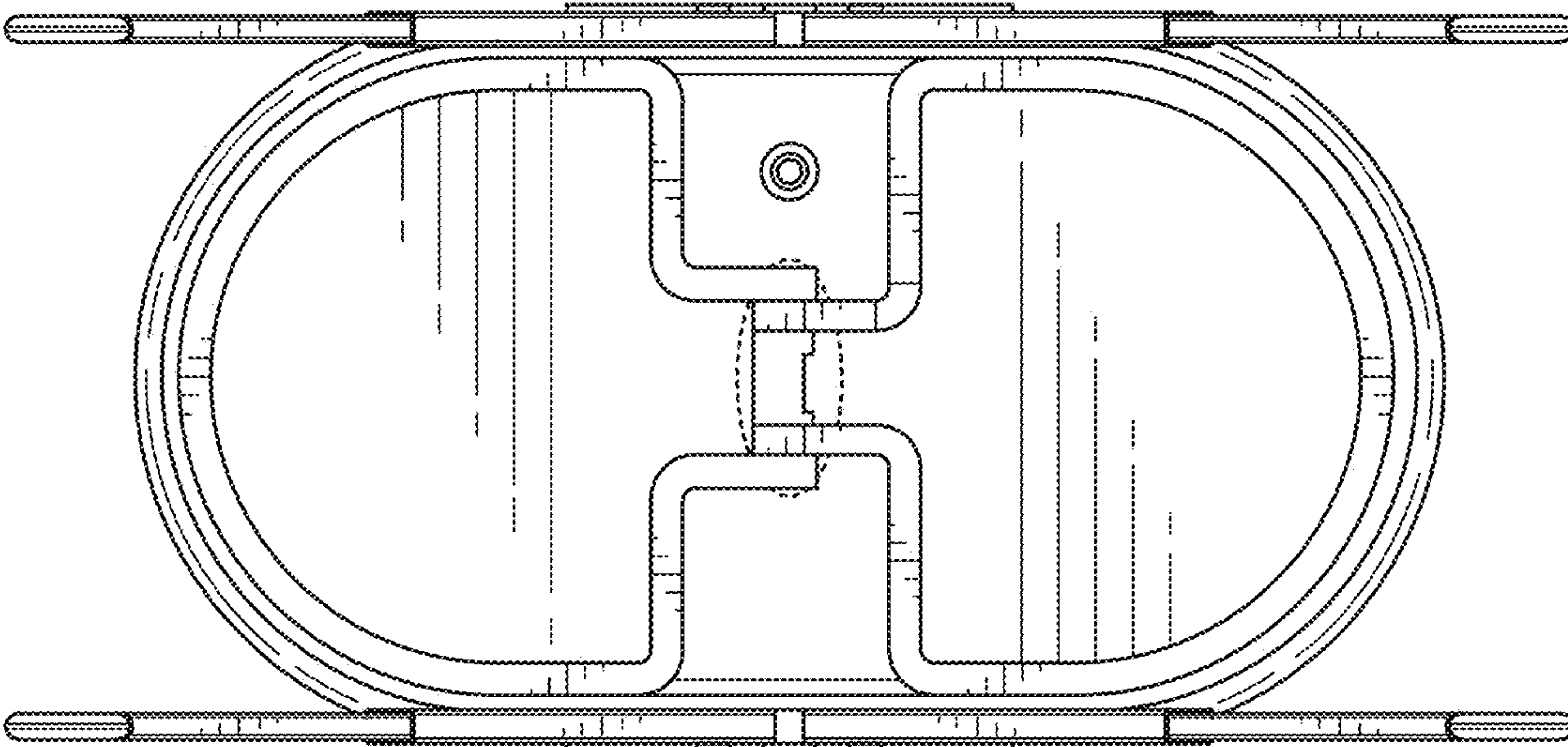


FIG. 7