



US00D991569S

(12) **United States Design Patent** (10) **Patent No.:** **US D991,569 S**
Hussain et al. (45) **Date of Patent:** **** Jul. 4, 2023**

(54) **CUTICLE TRIMMER**
(71) Applicant: **Peak Implements, Inc**, Highland Park, NJ (US)
(72) Inventors: **Muhammad Hussain**, Highland Park, NJ (US); **Farah Hussain**, Highland Park, NJ (US)
(73) Assignee: **PEAK IMPLEMENTS, INC**, Highland Park, NJ (US)
(**) Term: **15 Years**
(21) Appl. No.: **29/782,172**
(22) Filed: **May 4, 2021**
(51) **LOC (14) Cl.** **28-03**
(52) **U.S. Cl.**
USPC **D28/57**
(58) **Field of Classification Search**
USPC D24/133, 143, 231; D28/9, 55, 56, 57, D28/58, 59, 99
CPC A45D 26/00; A45D 29/00; A45D 29/0066; A45D 29/02; A45D 29/023; A45D 29/04; A45D 29/05; A45D 29/11; A45D 29/14; A45D 29/17; A45D 2029/005; A45D 2029/008; A45D 2029/026; A45D 2029/045
See application file for complete search history.

9,232,842 B2 * 1/2016 Ishida A45D 26/0066
D809,207 S * 1/2018 Hussain D26/51
D828,629 S * 9/2018 Hussain D28/55
D959,745 S * 8/2022 Luo D28/55

FOREIGN PATENT DOCUMENTS

GB 6234177 * 10/2022

OTHER PUBLICATIONS

Expert Slant Tweezers, posting date unknown [online], [retrieved Nov. 8, 2022]. Retrieved from internet, <https://www.dreamcuttools.com/product/expert-slant-tweezers/> (Year: 2022).
Classic Expert Black Tweezer, posting date unknown [online], [retrieved Nov. 8, 2022]. Retrieved from internet, <https://www.shopfarah.com/collections/tweezers/products/classic-black-expert-slant-tweezer> (Year: 2022).
Professional Mini Cuticle Trimmer, posted Jul. 22, 2021 [online], [retrieved Nov. 8, 2022]. Retrieved from internet, <https://www.amazon.com/dp/B09B23PVXN/> (Year: 2021).

* cited by examiner

Primary Examiner — Alison M Ofstun
Assistant Examiner — Evin Franklin George Ershock

(57) **CLAIM**

The ornamental design for a cuticle trimmer, as shown and described.

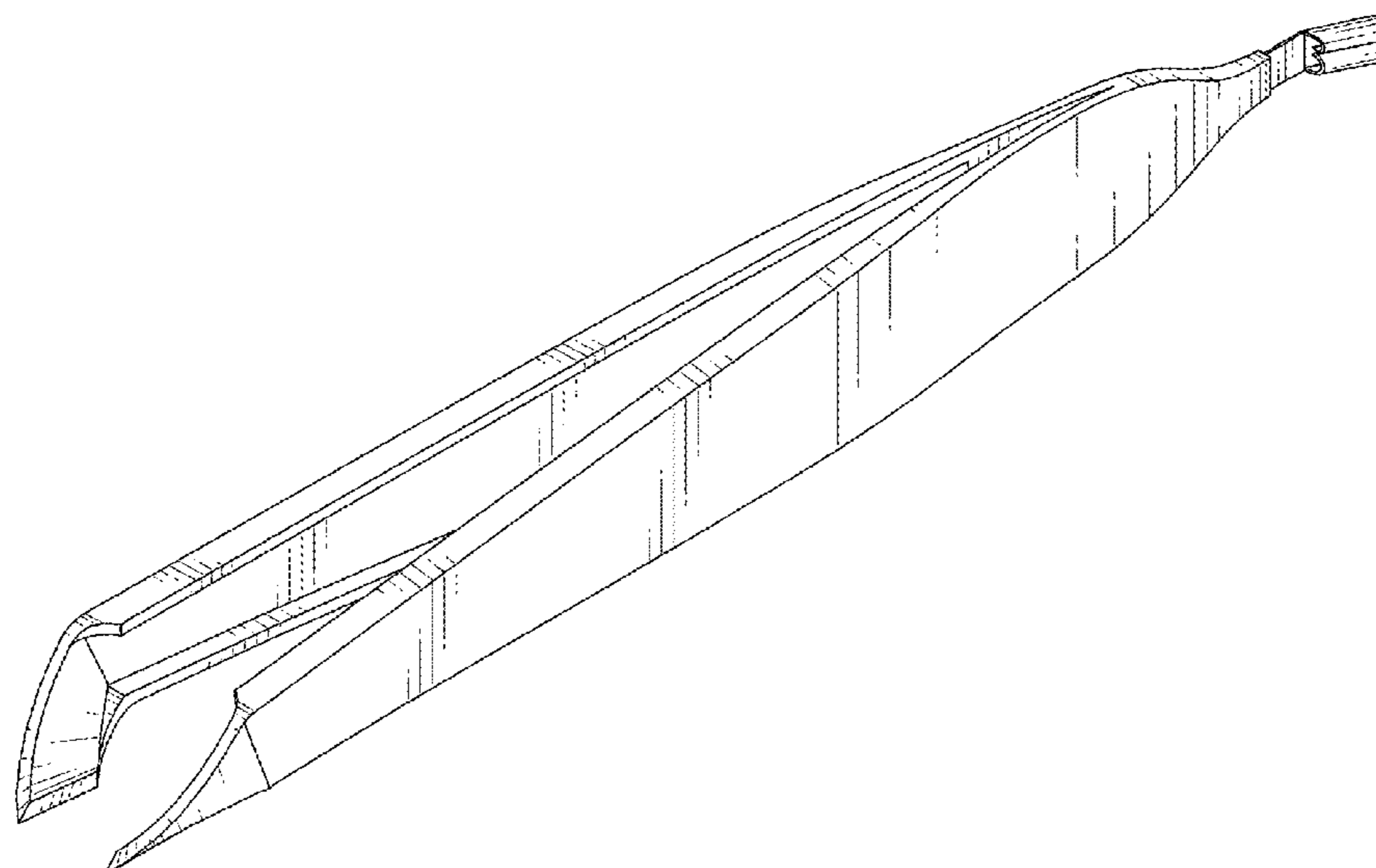
DESCRIPTION

FIG. 1 is a top-front-left perspective view of a cuticle trimmer showing my new design;
FIG. 2 is a bottom-rear-right perspective view thereof;
FIG. 3 is an enlarged front elevational view thereof;
FIG. 4 is an enlarged rear elevational view thereof;
FIG. 5 is a top plan view thereof;
FIG. 6 is a bottom plan view thereof;
FIG. 7 is a right elevational view thereof; and,
FIG. 8 is a left elevational view thereof.

1 Claim, 8 Drawing Sheets

(56) **References Cited**
U.S. PATENT DOCUMENTS

D214,225 S * 5/1969 Grande 30/28
D327,751 S * 7/1992 Colani D28/55
D456,097 S * 4/2002 LaMagna D28/55
D506,573 S * 6/2005 de Grandcourt D28/55
D546,002 S * 7/2007 Bowen D24/143
D573,308 S * 7/2008 Wittke-Kothe D28/60
D636,127 S * 4/2011 Allison D28/55
D717,002 S * 11/2014 Johnston D28/55
D717,997 S * 11/2014 Charroy D28/55



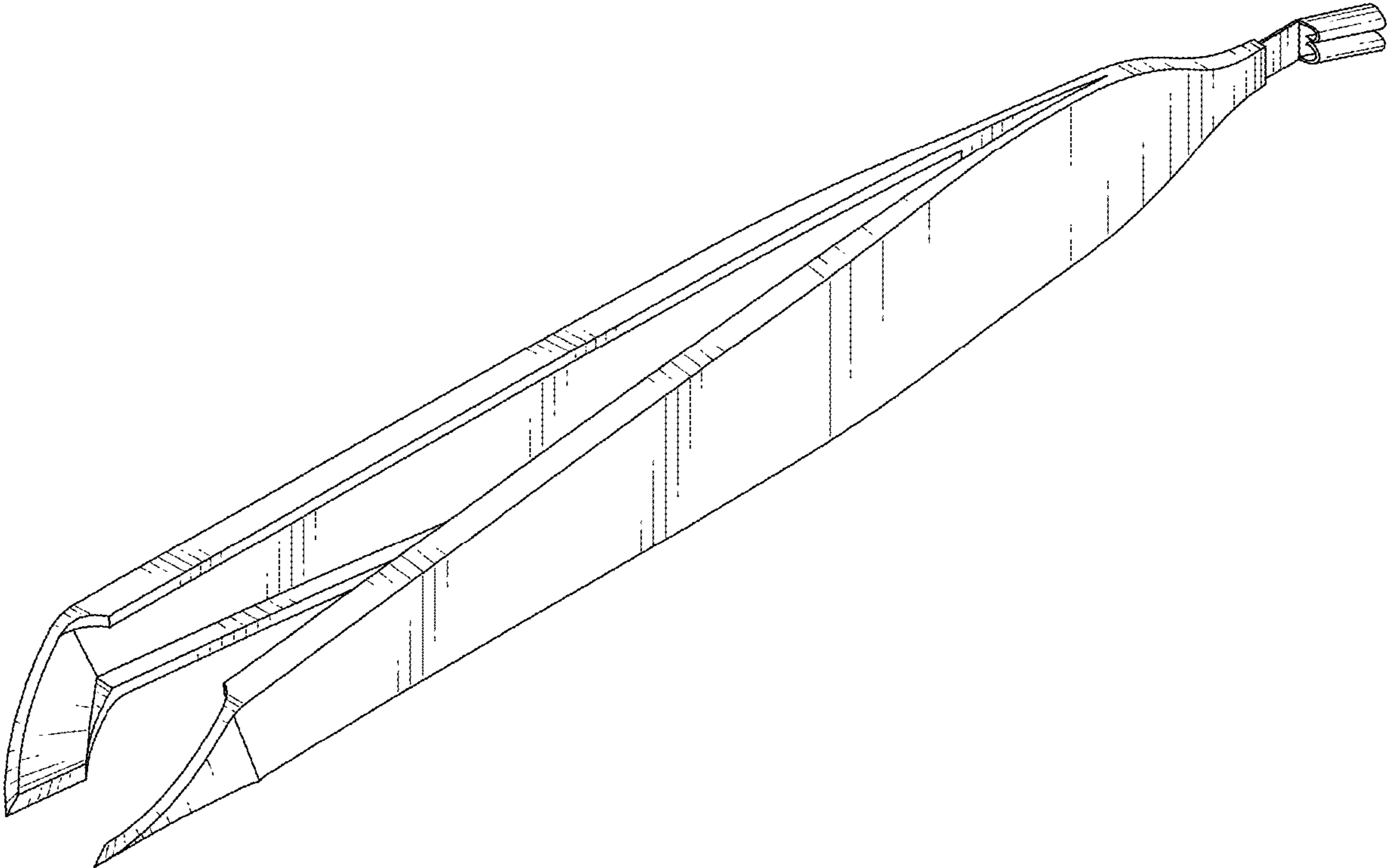


FIG. 1

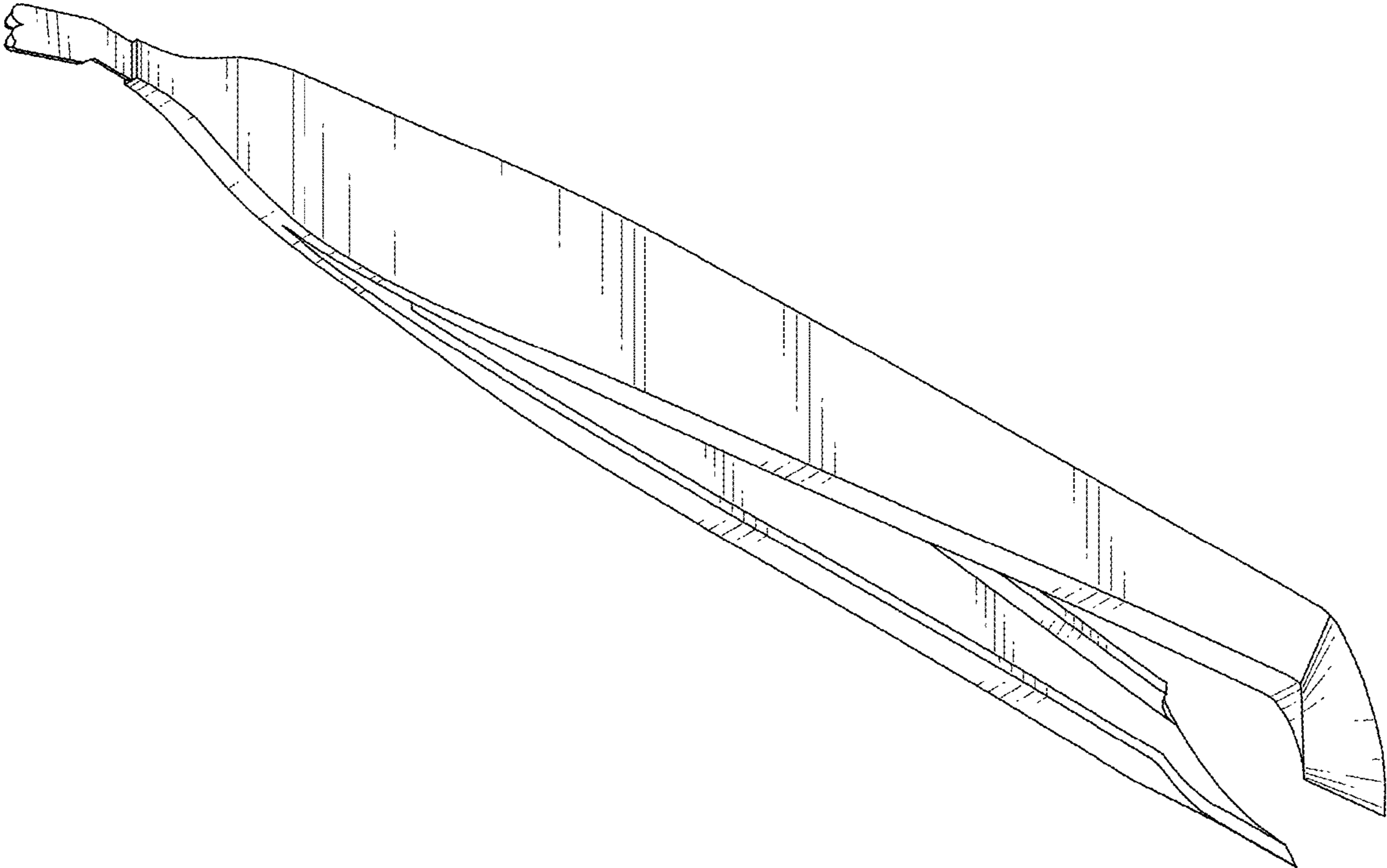


FIG. 2

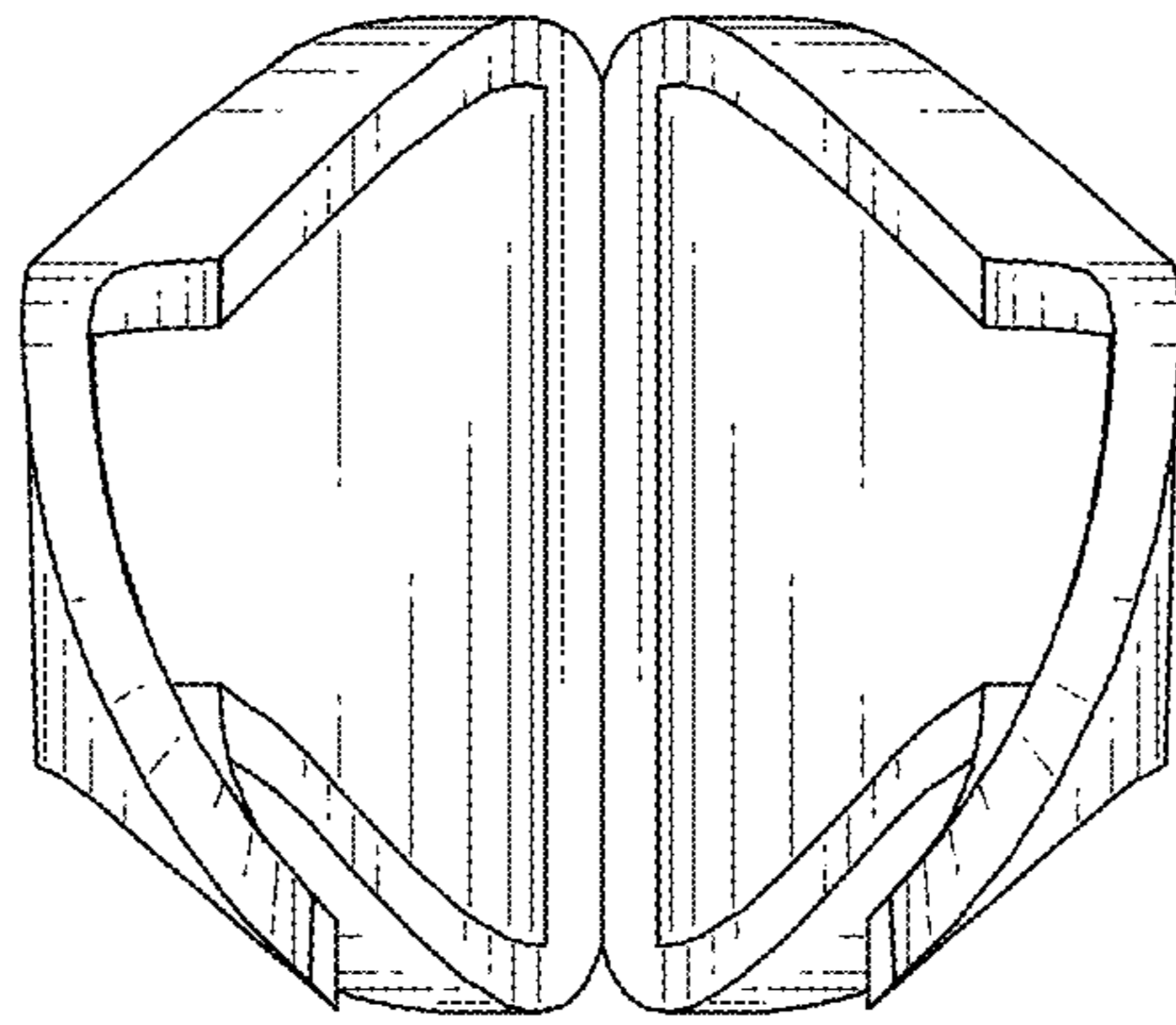


FIG. 3

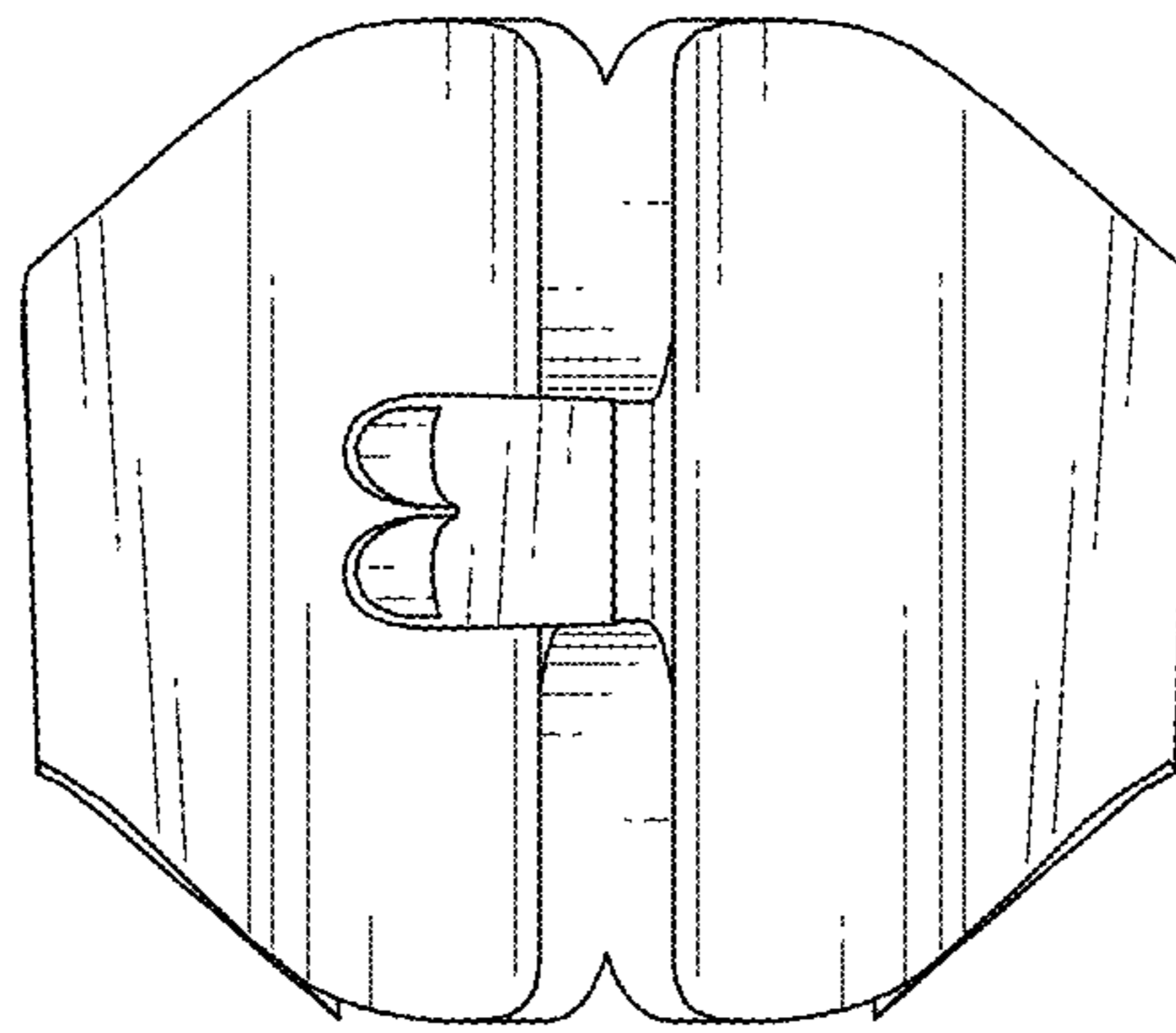


FIG. 4

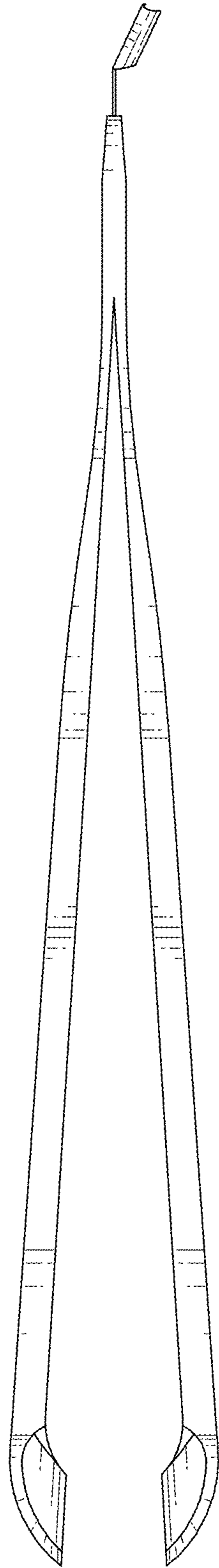


FIG. 5

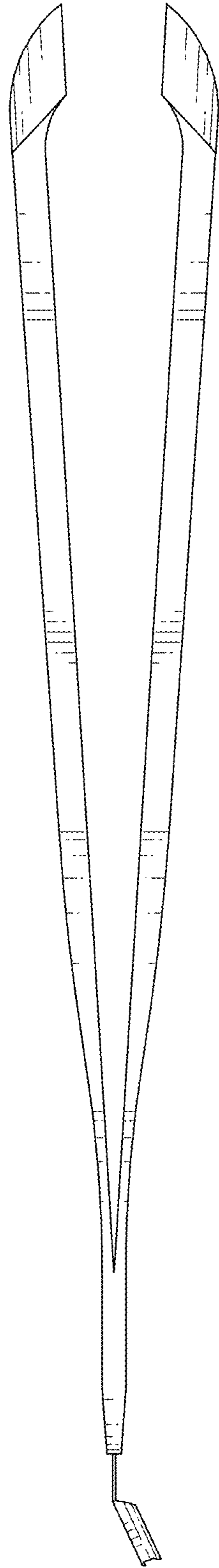


FIG. 6

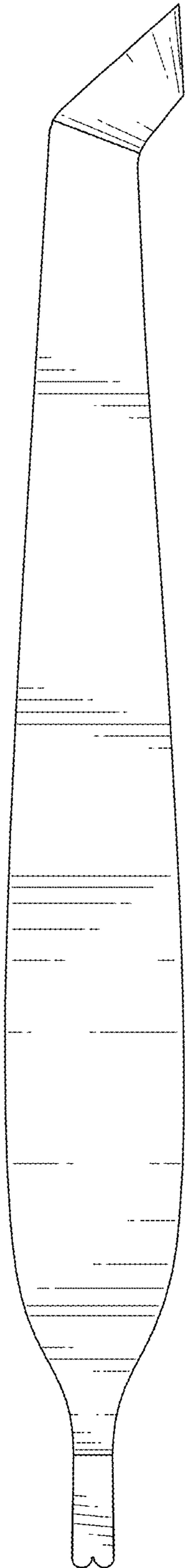


FIG. 7

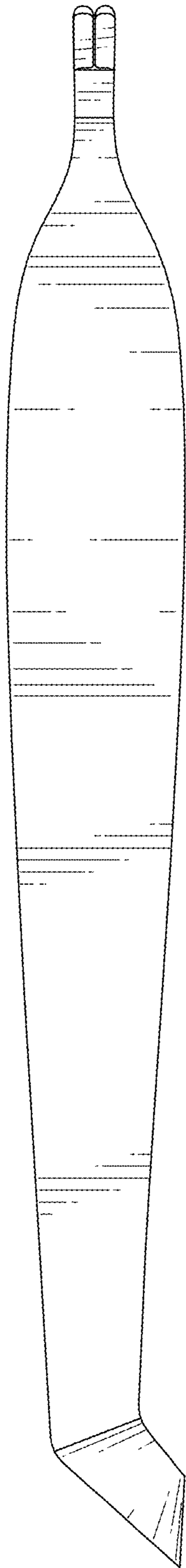


FIG. 8