



US00D991550S

(12) **United States Design Patent**
Hurley

(10) **Patent No.:** **US D991,550 S**
(45) **Date of Patent:** **** Jul. 4, 2023**

- (54) **SMOKING PIPE**
- (71) Applicant: **Christopher Hurley**, Medford, OR (US)
- (72) Inventor: **Christopher Hurley**, Medford, OR (US)
- (**) Term: **15 Years**
- (21) Appl. No.: **29/785,634**
- (22) Filed: **May 26, 2021**

Related U.S. Application Data

- (63) Continuation-in-part of application No. 15/629,340, filed on Jun. 21, 2017, now Pat. No. 11,058,147.
- (51) **LOC (14) Cl.** **27-02**
- (52) **U.S. Cl.**
USPC **D27/163**
- (58) **Field of Classification Search**
USPC D27/163, 162, 164, 165, 167-169, 170, D27/171, 193
CPC A24F 1/00; A24F 1/04; A24F 1/06; A24F 1/24; A24F 1/28; A24F 1/32; A61M 15/00; A61M 15/06
See application file for complete search history.

(56) **References Cited**

U.S. PATENT DOCUMENTS

D582,094 S *	12/2008	Lee	D27/163
D758,003 S *	5/2016	Merwin	D27/163
D825,101 S *	8/2018	Hoch	D27/162
D864,478 S *	10/2019	Reimann	D27/168
D909,671 S *	2/2021	Hoch	D27/162
11,058,147 B1 *	7/2021	Hurley	A24F 1/02
11,058,148 B2 *	7/2021	Hoch	B29C 45/14819

D932,688 S *	10/2021	Shigapov	D27/162
D937,481 S *	11/2021	Cordova	D27/163
D940,385 S *	1/2022	Dodson	D27/162
D959,737 S *	8/2022	Kang	D27/163
D961,151 S *	8/2022	Cleveland	D27/163
D965,216 S *	9/2022	Hoch	D27/163
D968,018 S *	10/2022	Filleul	D27/169
2004/0173223 A1 *	9/2004	Hu	A24F 5/06 131/226
2009/0258117 A1 *	10/2009	Lee	A24F 1/32 426/514

OTHER PUBLICATIONS

Tobacco Pipe By: Liyeehao found on Amazon (Dec. 27, 2022) https://www.amazon.com/Tobacco-Porcelain-Durable-Classic-Accessories/dp/B08JM241HX/ref=sr_1_100?crd=8WO8FIGM73GF&keywords=smoking+pipe&qid= (May 16, 2021).*

* cited by examiner

Primary Examiner — Rebecca Tsehaye
(74) *Attorney, Agent, or Firm* — Leavitt Eldredge Law Firm

(57) **CLAIM**

The ornamental design for a smoking pipe, as shown and described.

DESCRIPTION

FIG. 1 is an isometric view of a smoking pipe in accordance with the present application.

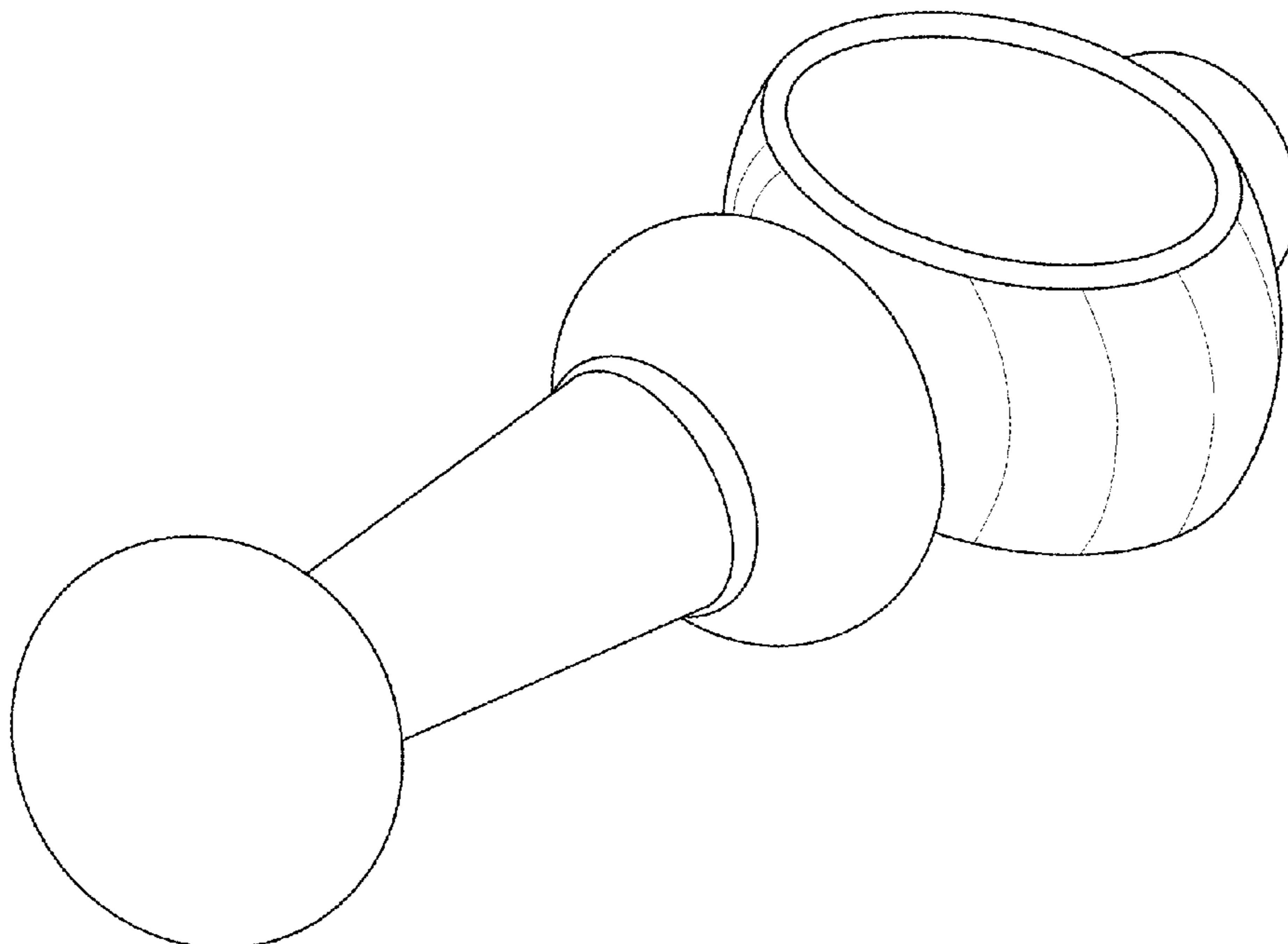
FIG. 2 is a top view of the smoking pipe.

FIG. 3 is a side view of the smoking pipe.

FIG. 4 is a first end view of the smoking pipe; and,

FIG. 5 is a second end view of the smoking pipe.

1 Claim, 4 Drawing Sheets



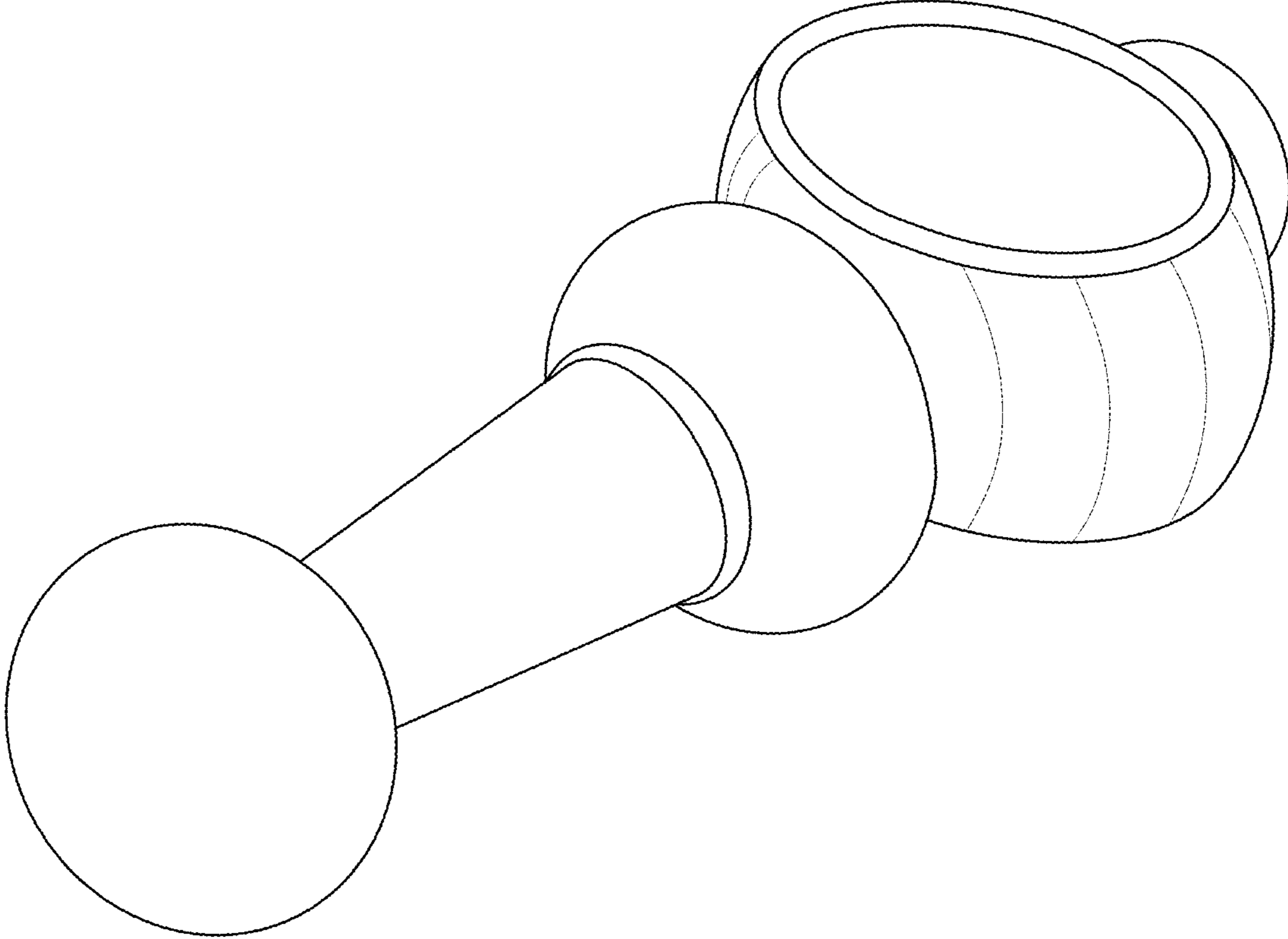


FIG. 1

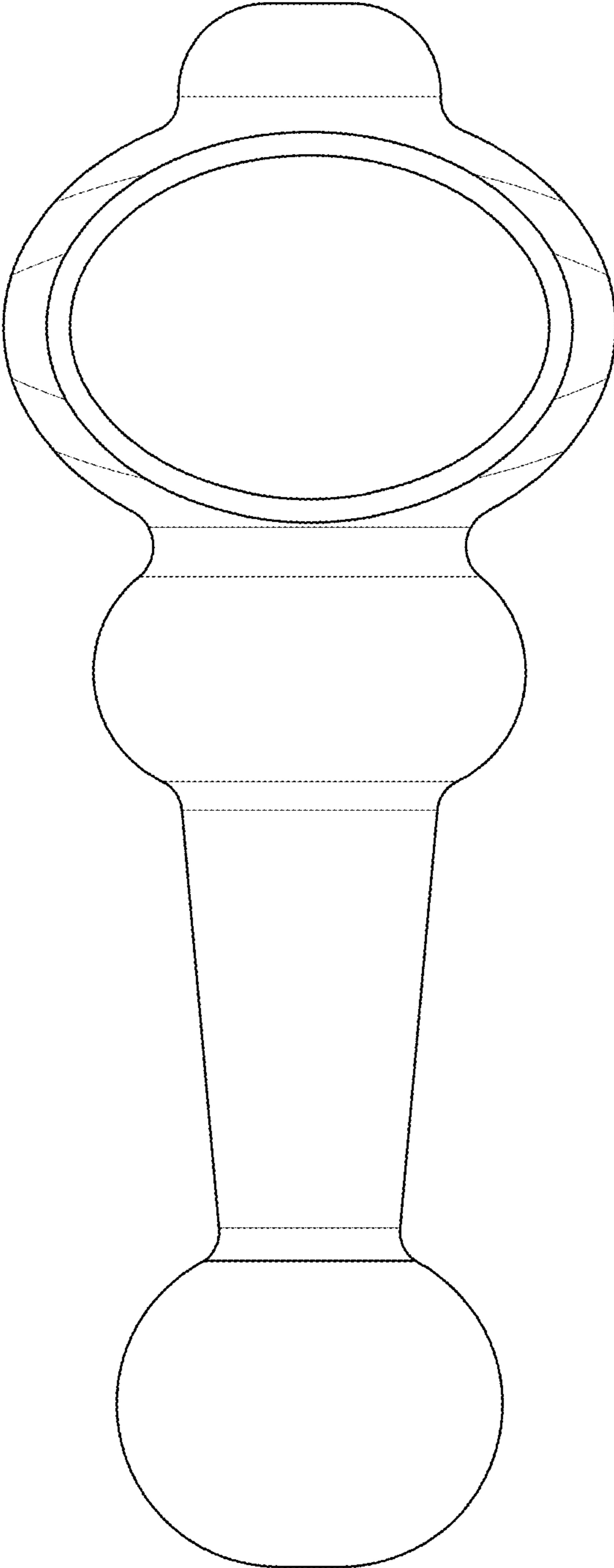


FIG. 2

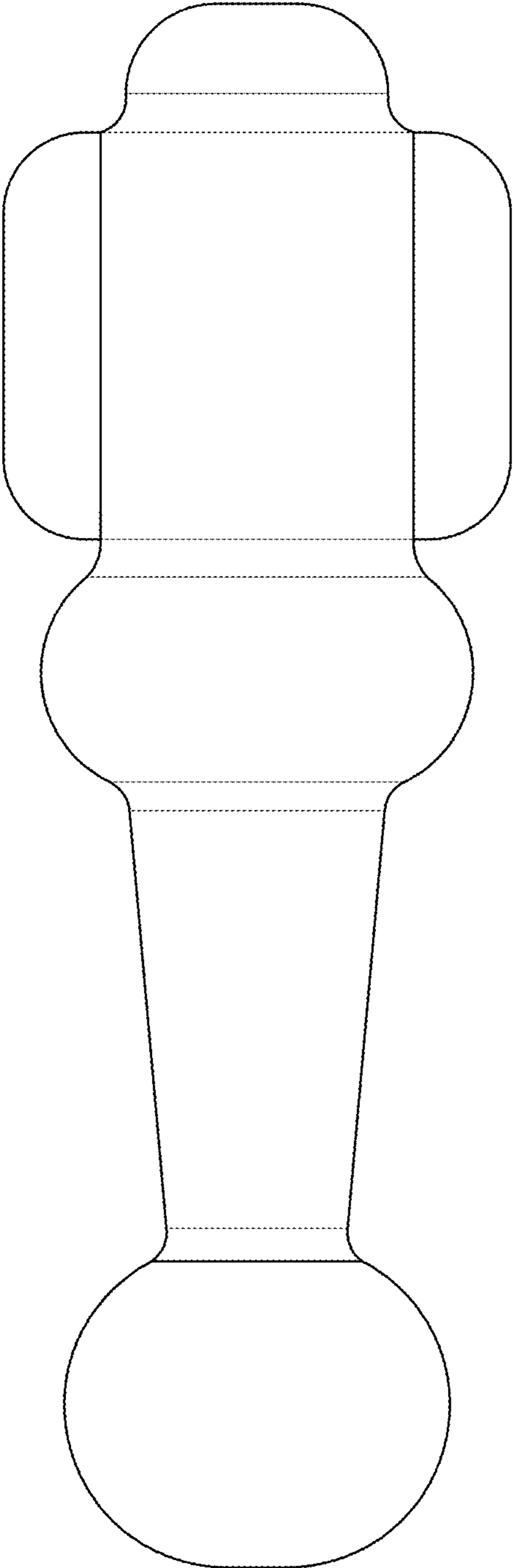


FIG. 3

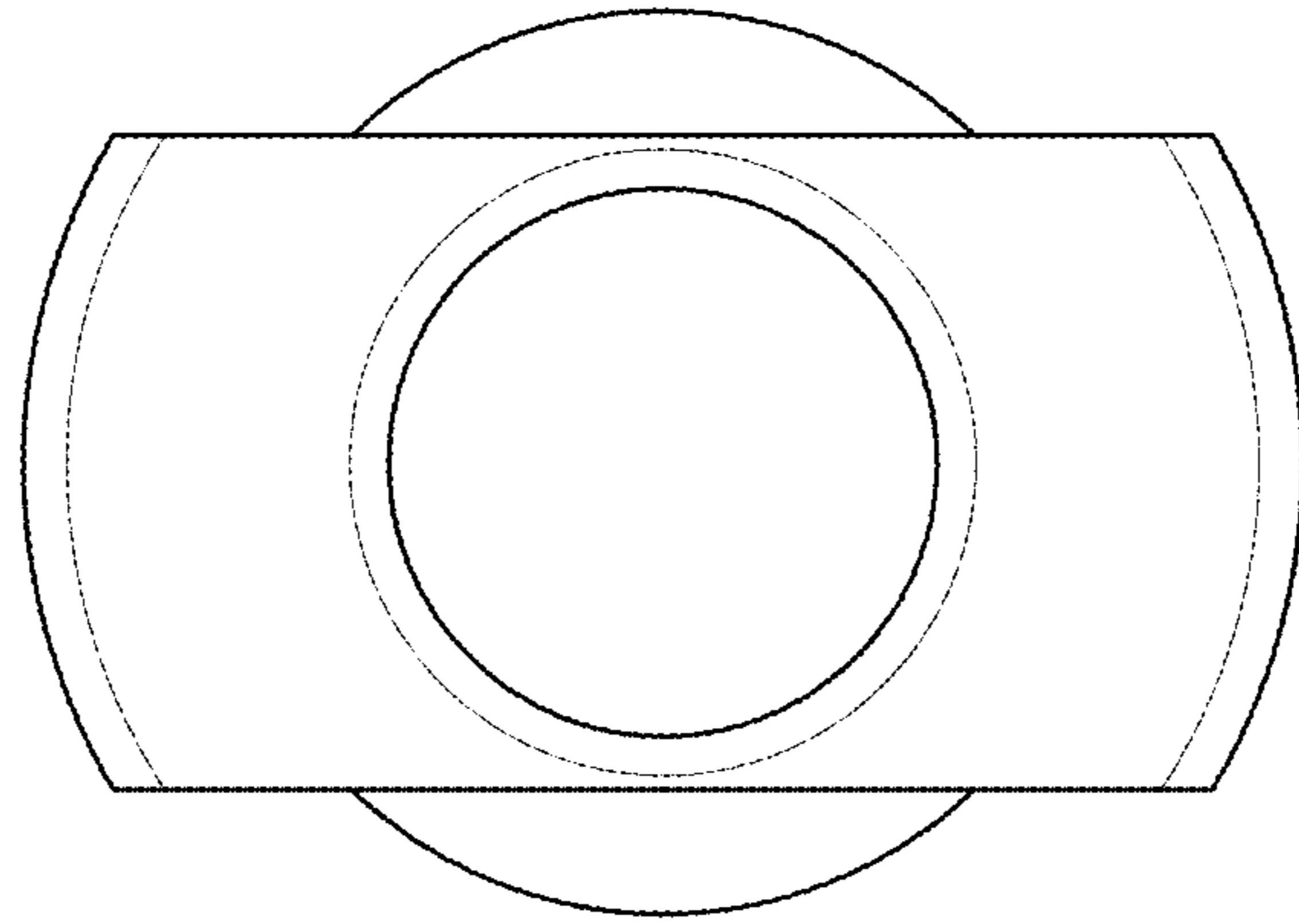


FIG. 4

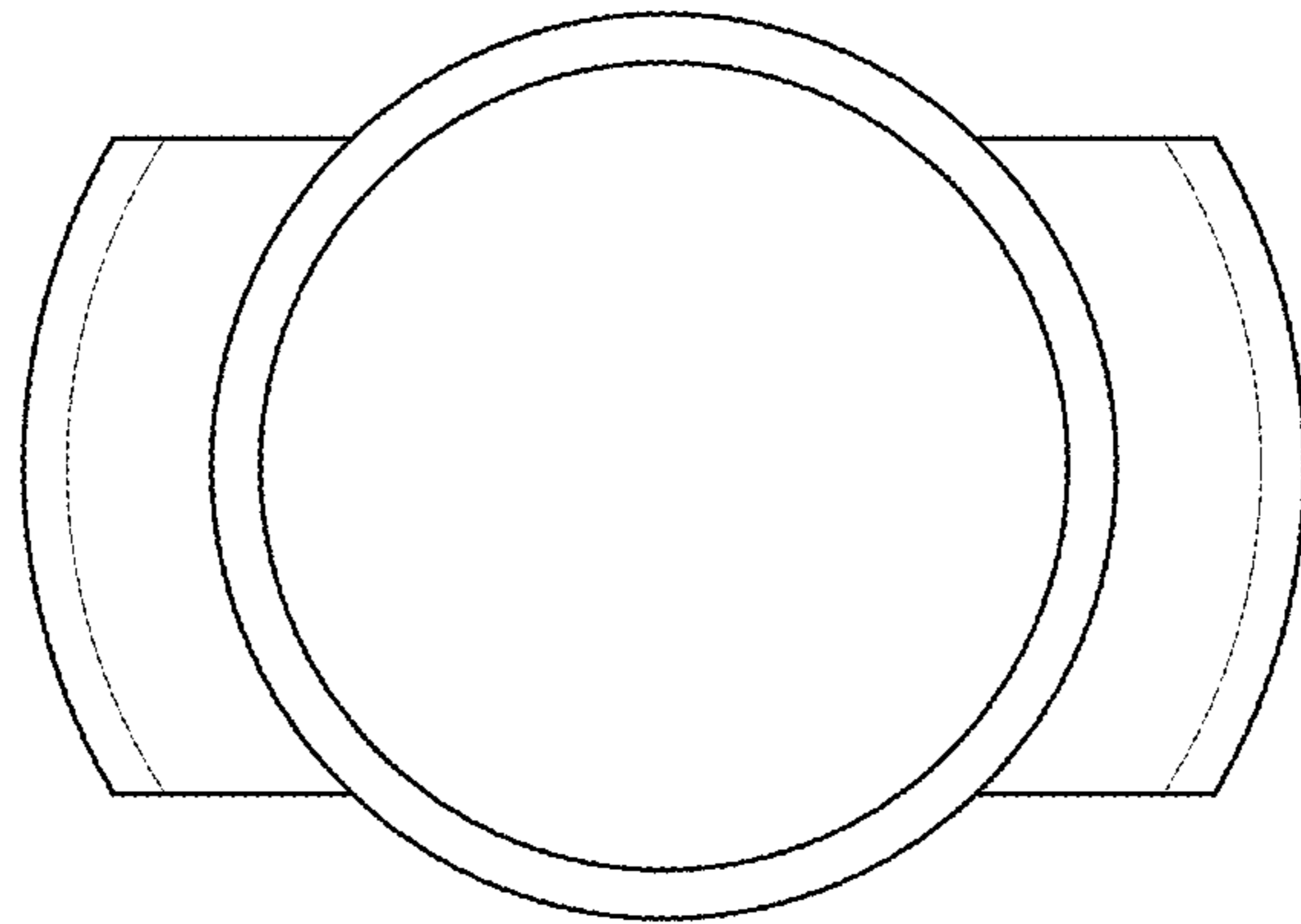


FIG. 5