



US00D991457S

(12) **United States Design Patent**
Shahidi Bonjar

(10) **Patent No.:** **US D991,457 S**

(45) **Date of Patent:** **** Jul. 4, 2023**

(54) **PATIENT-FRIENDLY SMART DENTAL BITE BLOCK**

(71) Applicant: **Amir Hashem Shahidi Bonjar**, Tehran (IR)

(72) Inventor: **Amir Hashem Shahidi Bonjar**, Tehran (IR)

(**) Term: **15 Years**

(21) Appl. No.: **29/764,315**

(22) Filed: **Dec. 29, 2020**

(51) **LOC (14) Cl.** **24-02**

(52) **U.S. Cl.**
USPC **D24/180**

(58) **Field of Classification Search**
USPC D24/176–182
CPC A61M 16/0488; A61M 16/049; A61M 16/0496; A61M 16/0493; A61C 5/90; A61C 7/08; A61C 7/36
See application file for complete search history.

(56) **References Cited**

U.S. PATENT DOCUMENTS

5,655,519	A *	8/1997	Alfery	A61M 16/0488	128/207.14
D397,442	S *	8/1998	Kittelsen	D24/180	
6,098,627	A *	8/2000	Kellner	A61C 5/90	128/862
6,257,238	B1 *	7/2001	Meah	A61M 16/0497	128/200.26
D917,051	S *	4/2021	Kauffman	D24/176	
D924,408	S *	7/2021	Kim	D24/176	
2010/0078029	A1 *	4/2010	McDonald	A61M 16/0488	128/207.14
2014/0332009	A1 *	11/2014	Haider	A61M 16/0493	128/207.14
2015/0157821	A1 *	6/2015	Manecke	A61M 16/0488	600/114

2016/0095995	A1 *	4/2016	Haider	A61M 16/0493	128/207.14
2016/0270878	A1 *	9/2016	Fulton, III	A61C 5/90	
2020/0383560	A1 *	12/2020	Day	A61C 5/90	
2021/0369411	A1 *	12/2021	Galada	A61C 5/90	

* cited by examiner

Primary Examiner — Wan Laymon

(74) *Attorney, Agent, or Firm* — Barry Choobin; Patent 360

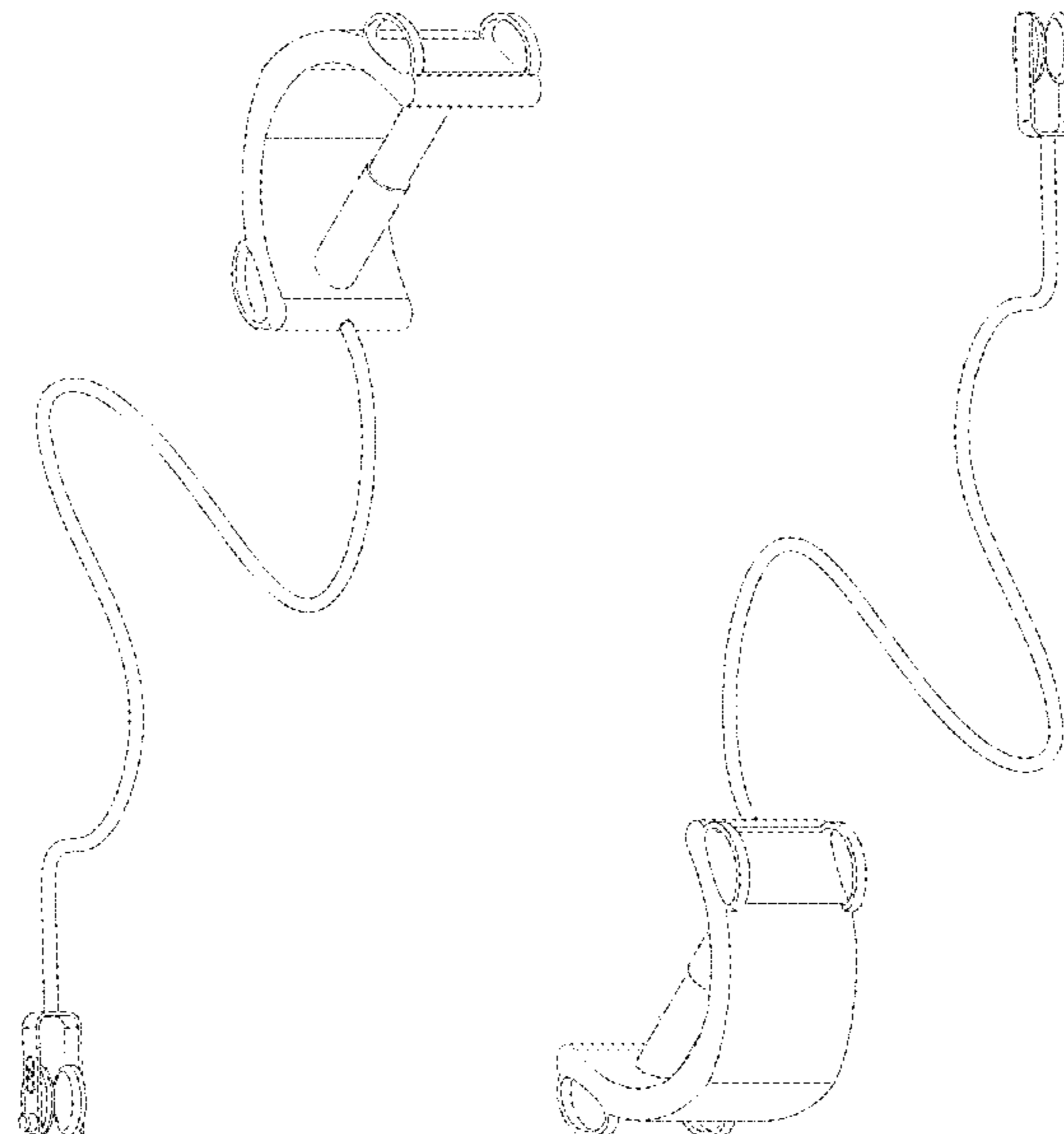
(57) **CLAIM**

The ornamental design for a patient-friendly smart dental bite block, substantially as shown and described.

DESCRIPTION

FIG. 1 is a bottom, right-side perspective view of the patient-friendly smart dental bite block;
 FIG. 2 is a top, right-side perspective view thereof;
 FIG. 3 is an enlarged front-side view thereof;
 FIG. 4 is an enlarged rear-side view thereof;
 FIG. 5 is a left-side view thereof;
 FIG. 6 is a right-side view thereof;
 FIG. 7 is a bottom-side view thereof;
 FIG. 8 is a top-side view thereof;
 FIG. 9 is a cross-section view taken along plane line 9-9 of FIG. 5; and
 FIG. 10 is a cross-section view taken along plane line 10-10 of FIG. 7.
 FIG. 11 is a top, right-side perspective view of the oral-member of the patient-friendly smart dental bite block design.
 FIG. 12 is a bottom, left-side perspective view of the oral-member of the patient-friendly smart dental bite block design.
 FIG. 13 is a top, left-side perspective view of the ear-clip of the patient-friendly smart dental bite block design; and,
 FIG. 14 is a bottom, left-side perspective view of the ear-clip of the patient-friendly smart dental bite block design.

1 Claim, 8 Drawing Sheets



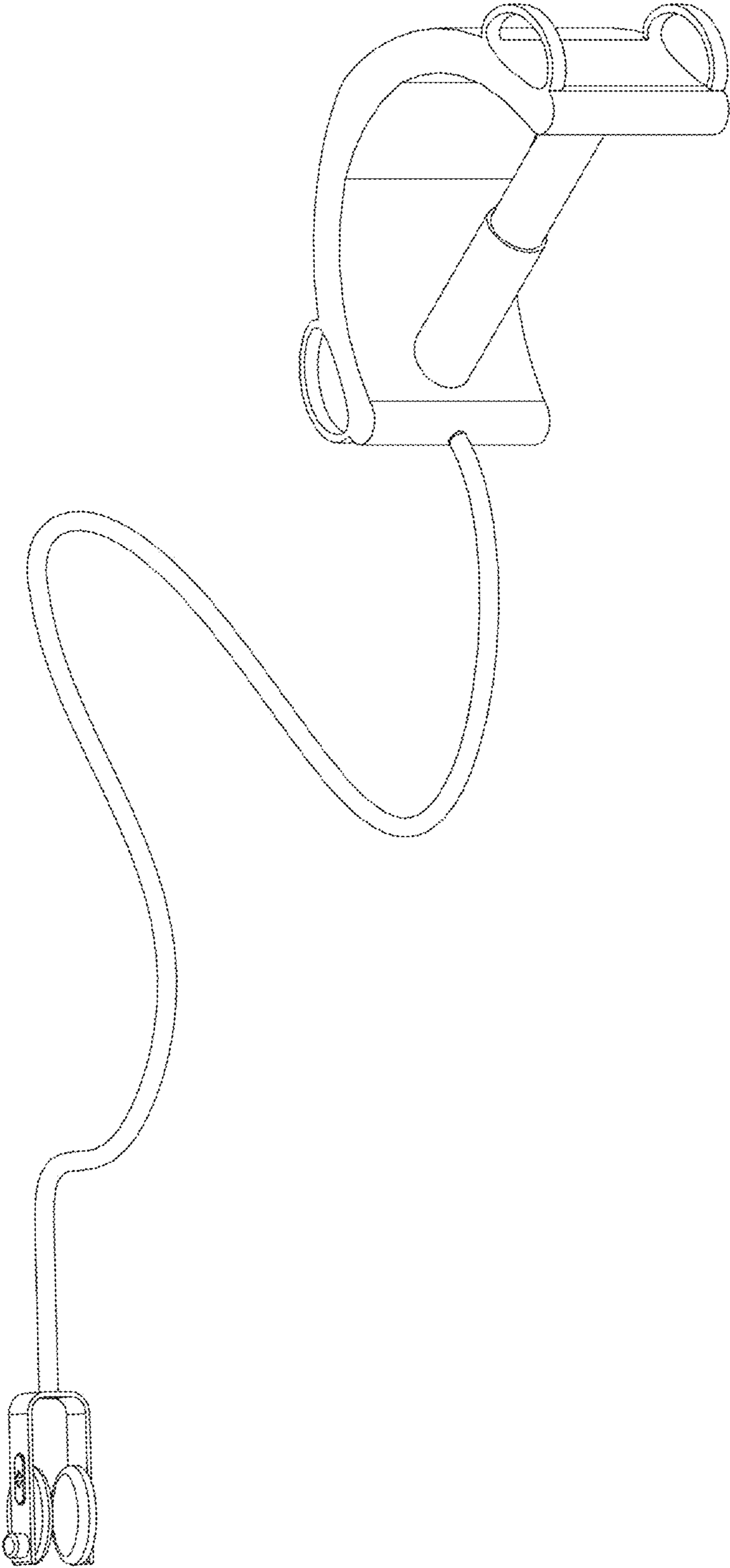


FIG. 1

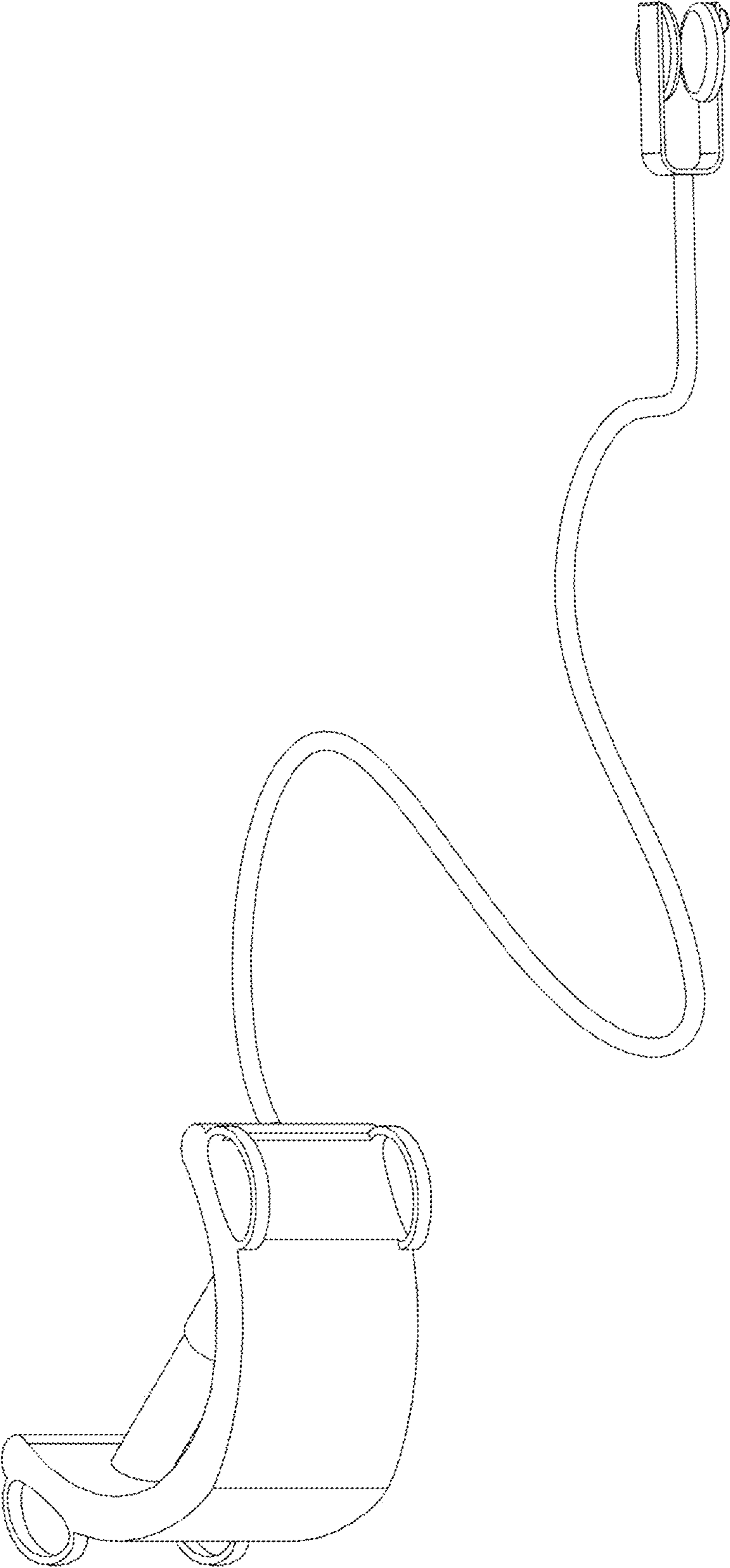


FIG. 2

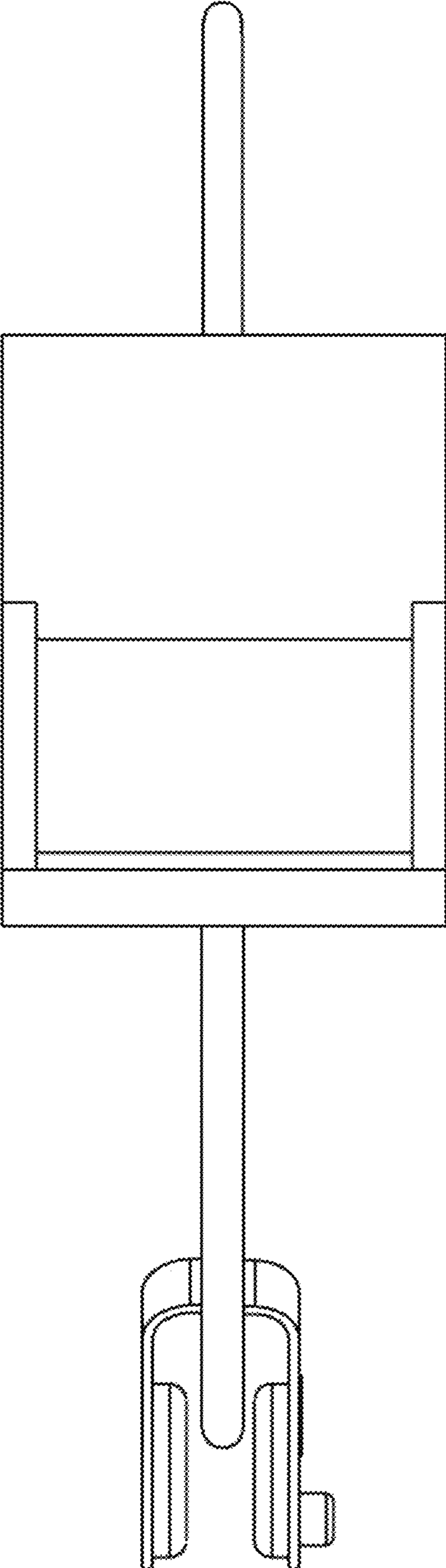


FIG. 3

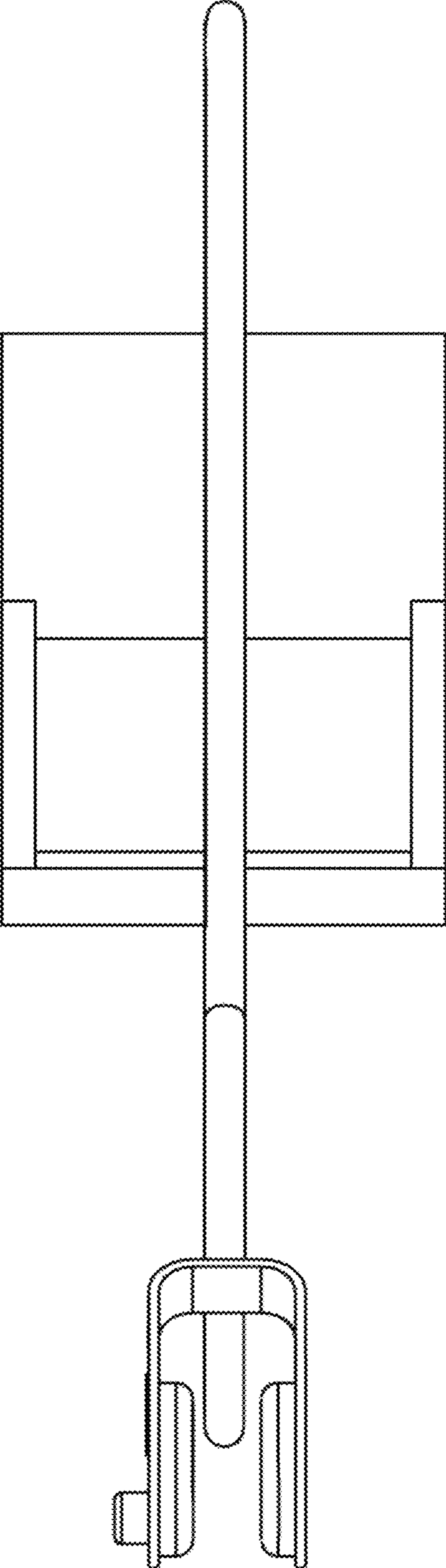


FIG. 4

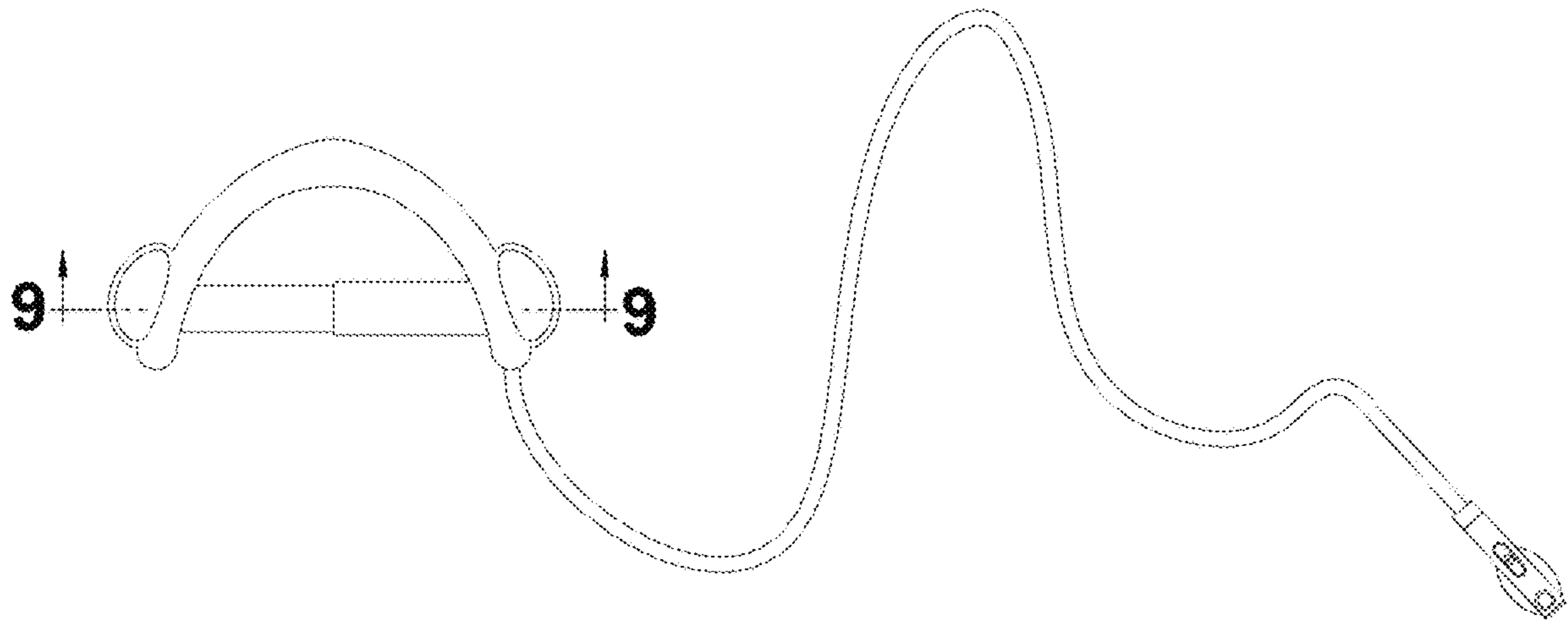


FIG. 5

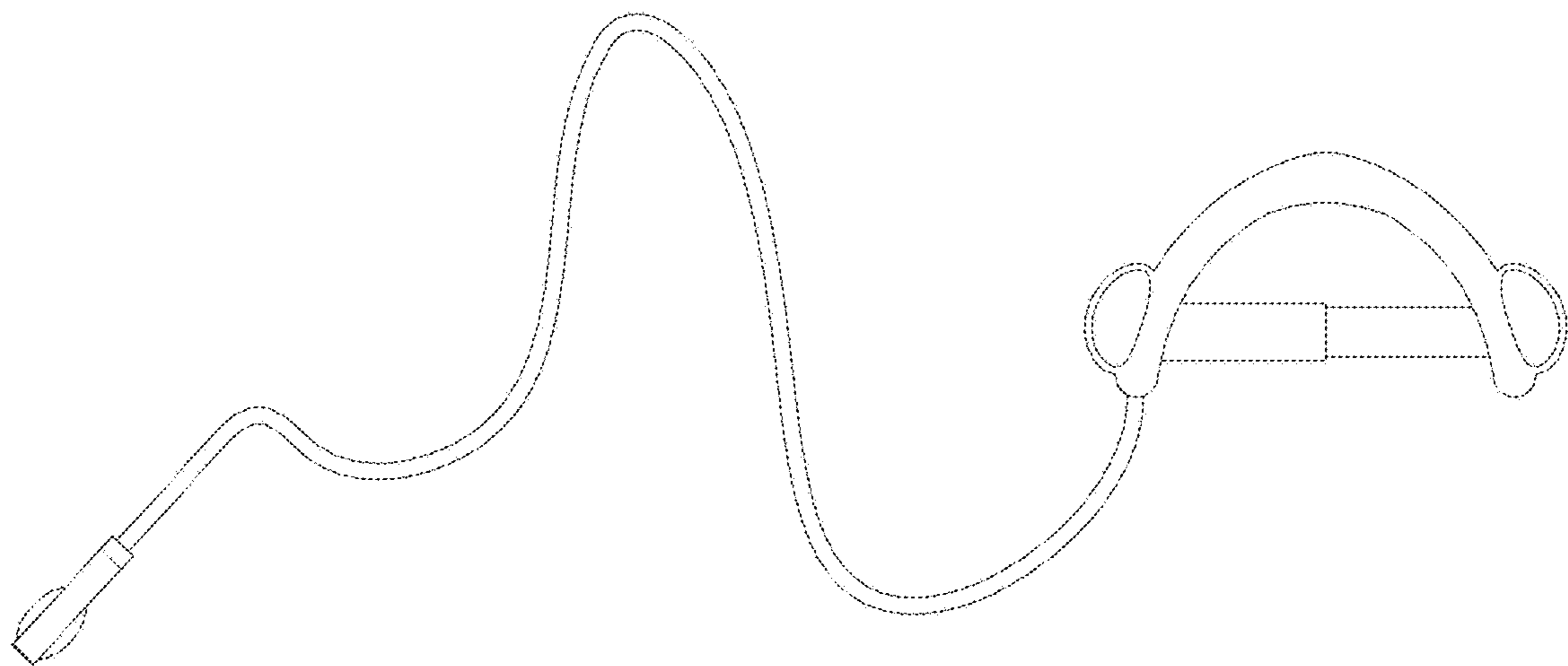


FIG. 6

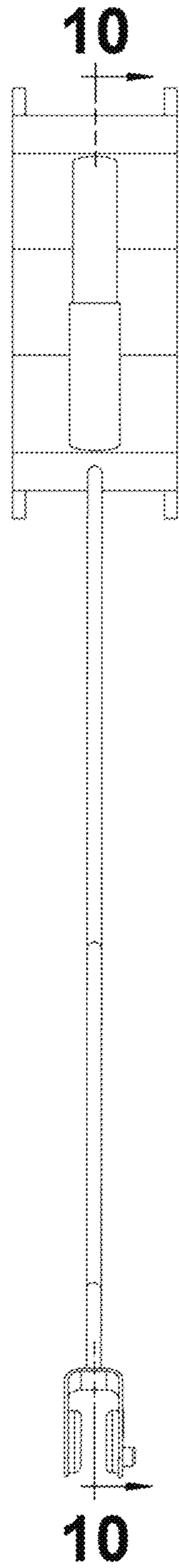


FIG. 7

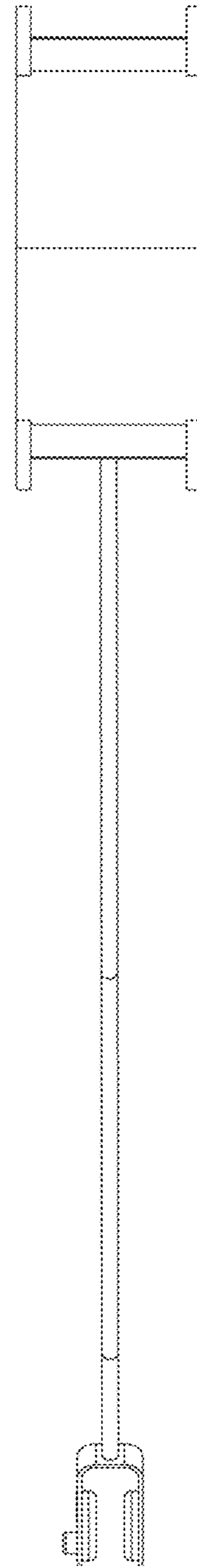


FIG. 8

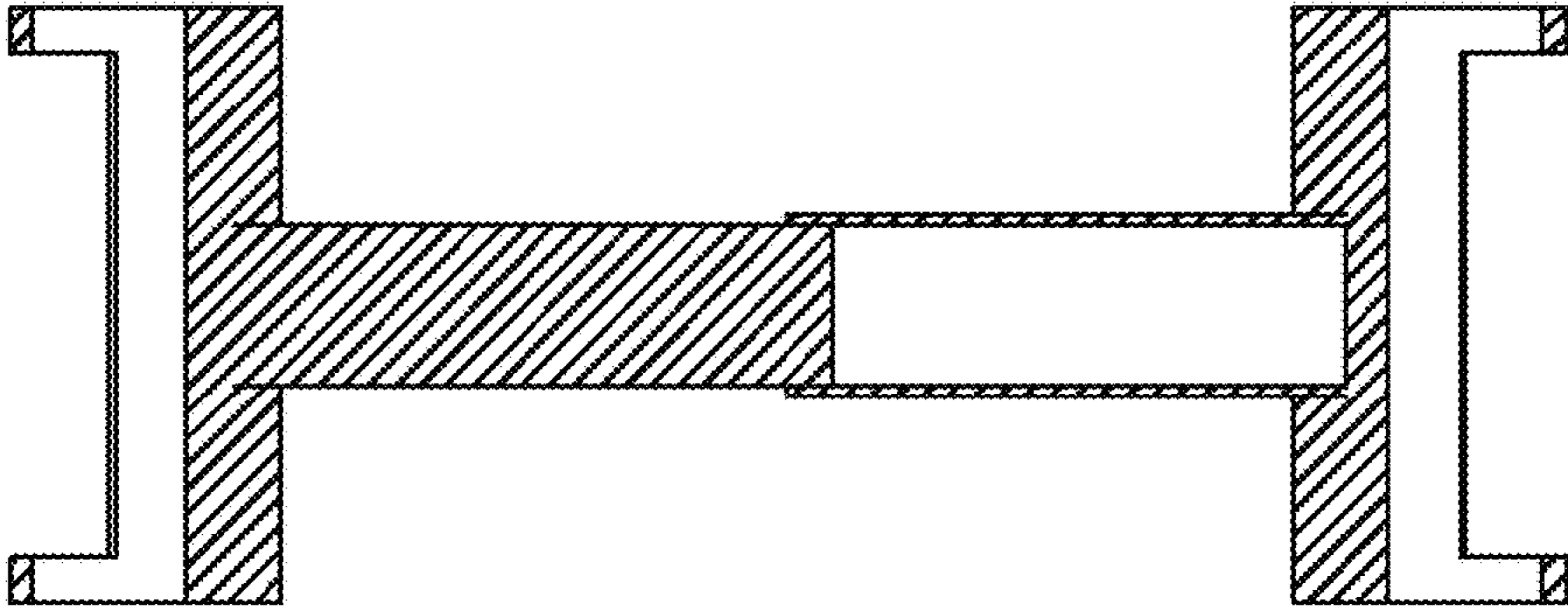


FIG. 9

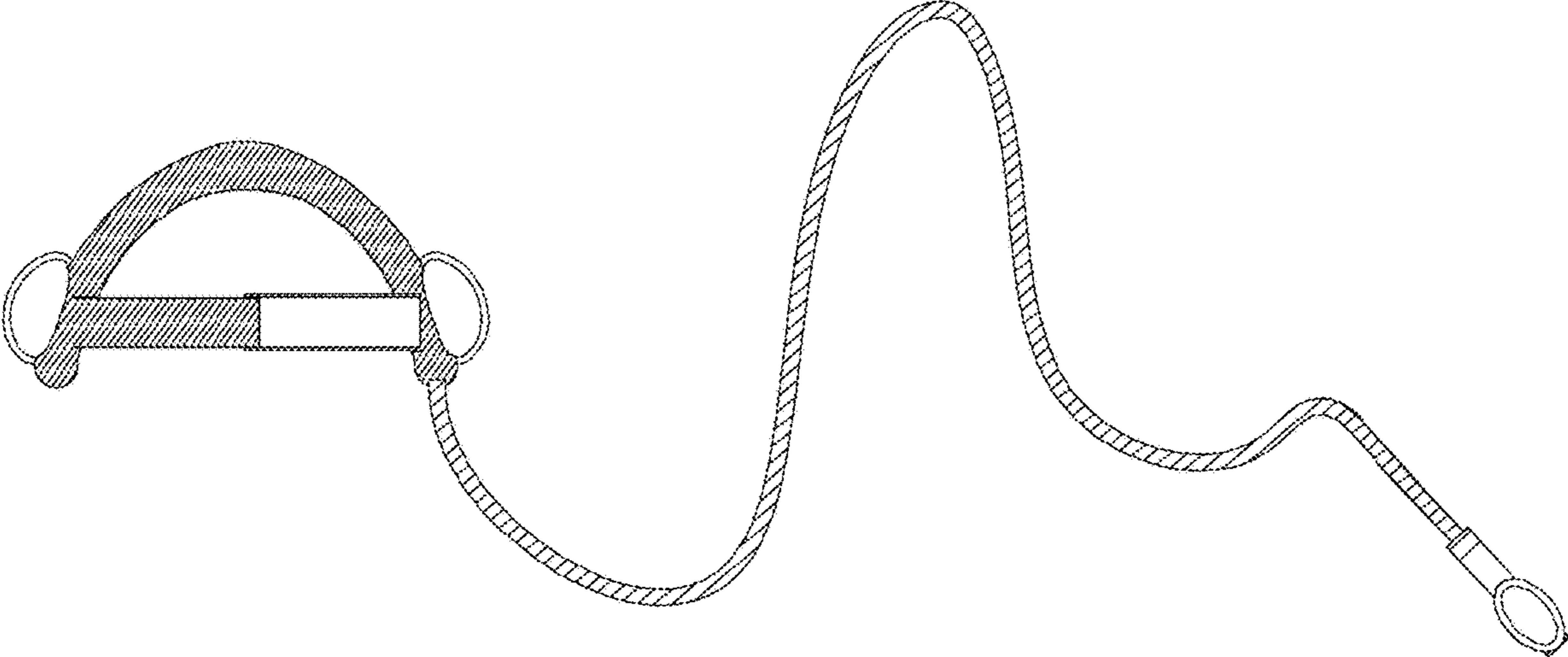


FIG. 10

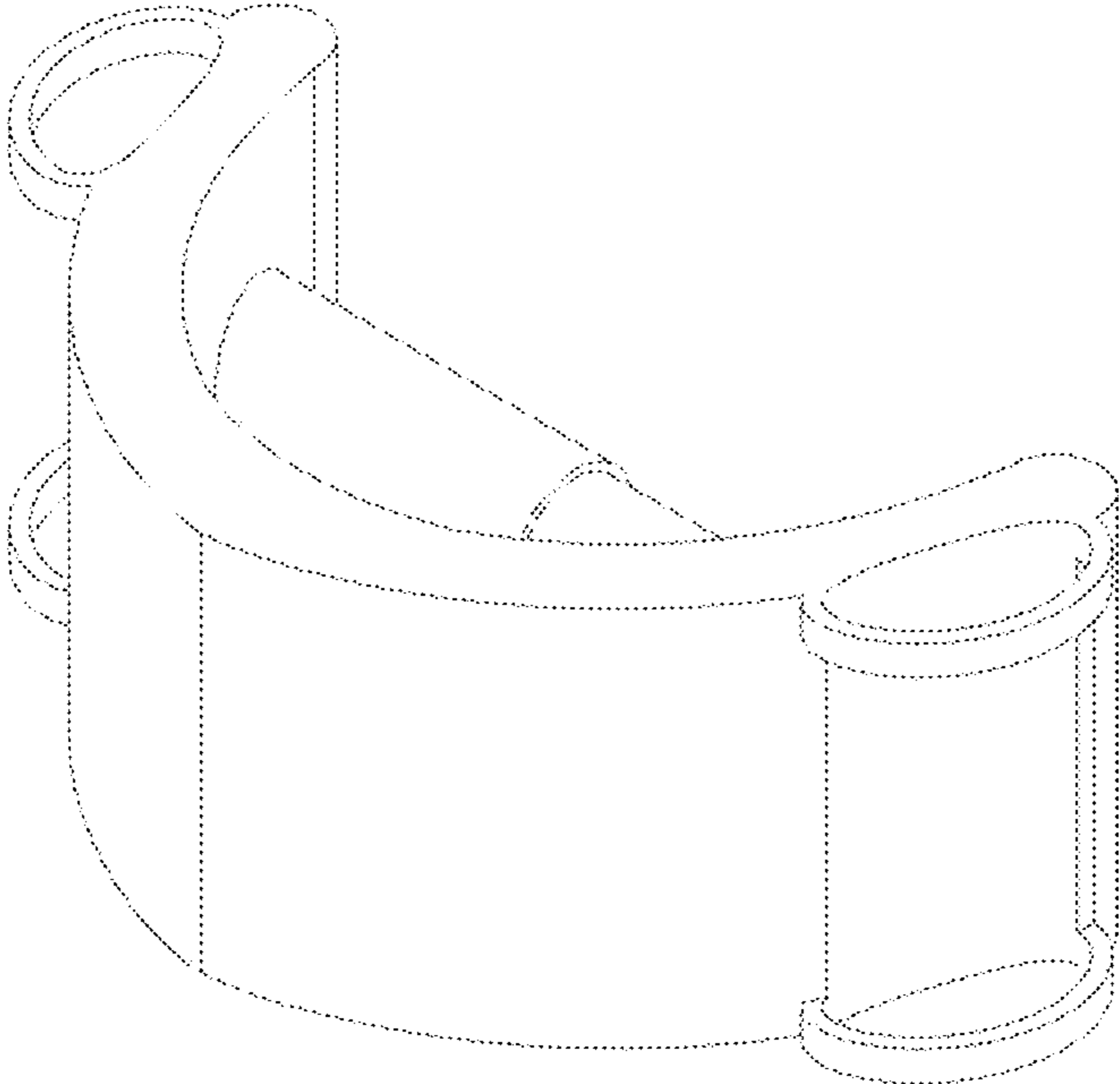


FIG. 11

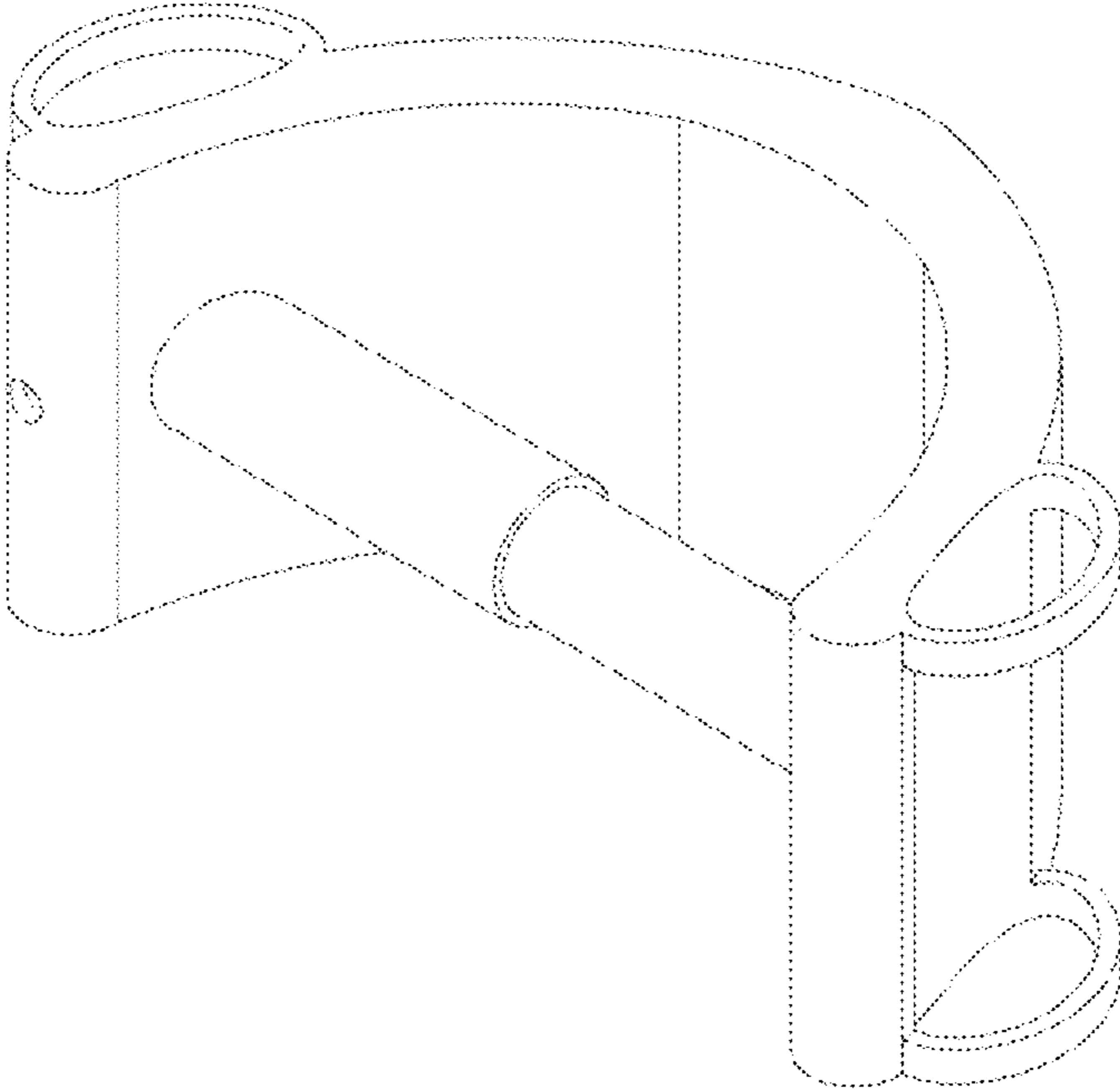


FIG. 12

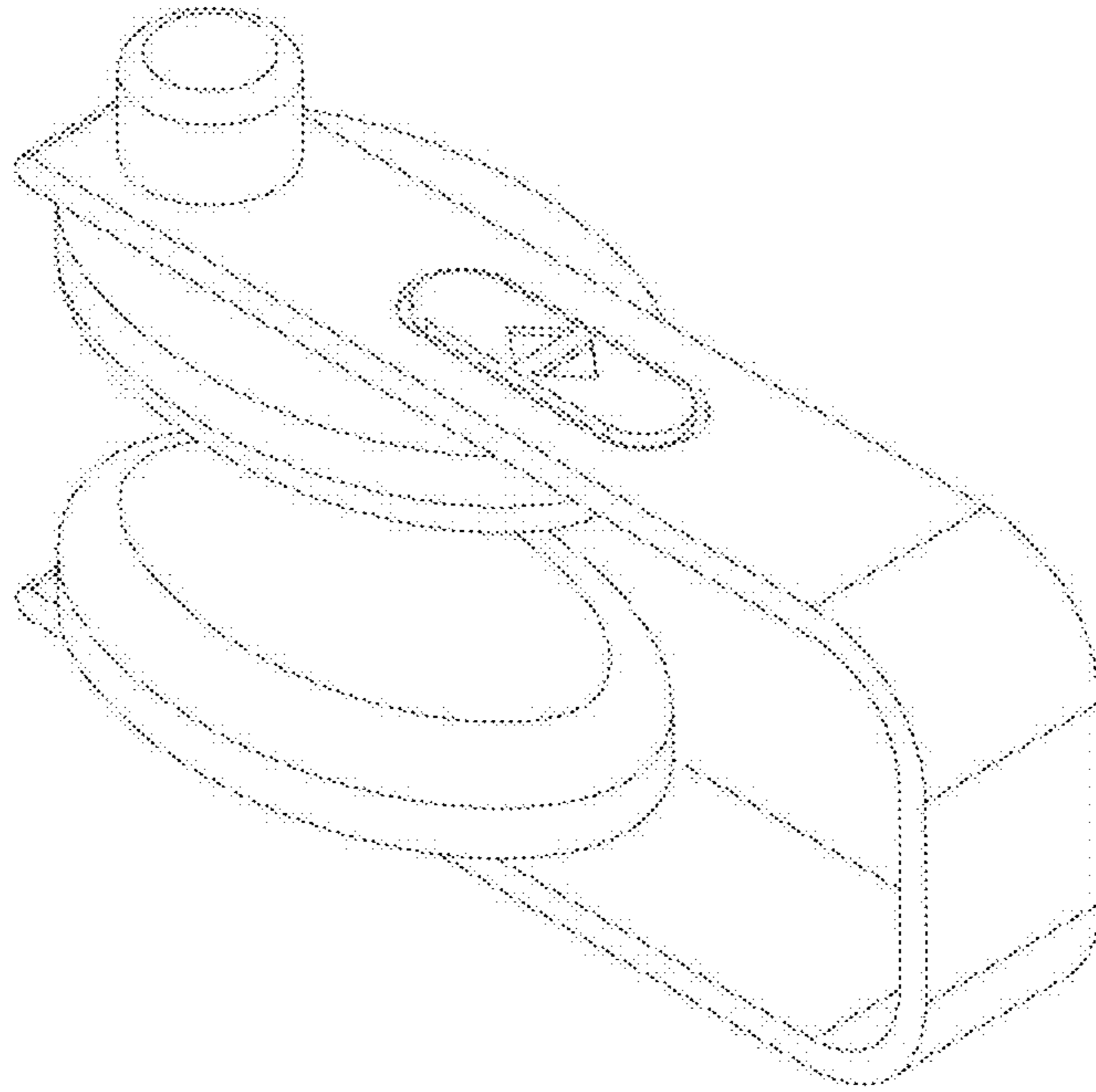


FIG. 13

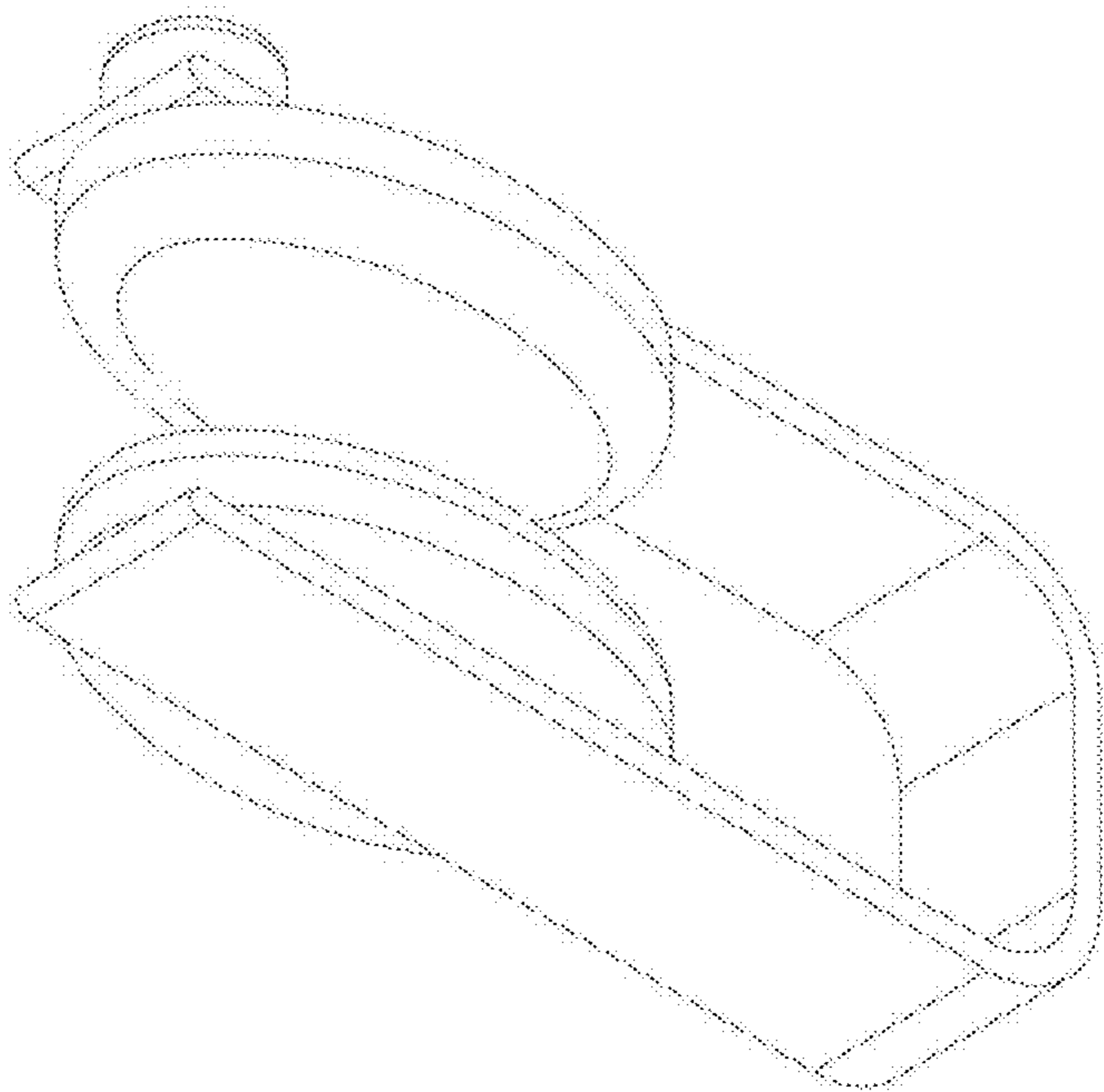


FIG. 14