



US00D991299S

(12) **United States Design Patent**
Gimström et al.

(10) **Patent No.:** **US D991,299 S**
(45) **Date of Patent:** **** Jul. 4, 2023**

(54) **HOOD FOR A WELDING CONSUMABLE CONTAINER**

(71) Applicant: **ESAB AB**, Gothenburg (SE)

(72) Inventors: **Claes Gimström**, Gothenburg (SE);
Roberto Carlos Guerrero Kees,
Frisco, TX (US); **Gerard F. Klaes**,
Moab, UT (US); **Rodolfo F. Rep**,
Hanover, PA (US)

(73) Assignee: **ESAB AB**, Gothenburg (SE)

(**) Term: **15 Years**

(21) Appl. No.: **29/781,660**

(22) Filed: **Apr. 30, 2021**

(51) **LOC (14) Cl.** **09-03**

(52) **U.S. Cl.**
USPC **D9/430**

(58) **Field of Classification Search**
USPC D8/356, 360; D9/430, 445; D15/122,
D15/144, 144.1, 144.2

(Continued)

(56) **References Cited**

U.S. PATENT DOCUMENTS

D75,980 S * 8/1928 Pfeiffer D9/430
D82,536 S * 11/1930 Eberhardt D9/430

(Continued)

FOREIGN PATENT DOCUMENTS

KR 100359124 B1 11/2002
WO 201871289 A1 4/2018

(Continued)

Primary Examiner — Michael C Stout

Assistant Examiner — Fritzgerald L Butac

(74) *Attorney, Agent, or Firm* — Edell, Shapiro & Finnan,
LLC

(57) **CLAIM**

The ornamental design for a hood for a welding consumable container, as shown and described.

DESCRIPTION

FIG. 1 is an isometric perspective front view of a hood for a welding consumable container according to the present invention;

FIG. 2 is an isometric perspective rear view of the hood for a welding consumable container of FIG. 1;

FIG. 3 is a front view of the hood for a welding consumable container of FIG. 1;

FIG. 4 is a rear view of the hood for a welding consumable container of FIG. 1;

FIG. 5 is a right side view of the hood for a welding consumable container of FIG. 1;

FIG. 6 is a left side view of the hood for a welding consumable container of FIG. 1;

FIG. 7 is a top view of the hood for a welding consumable container of FIG. 1;

FIG. 8 is a bottom view of the hood for a welding consumable container of FIG. 1;

FIG. 9 is an isometric perspective front view of a hood for a welding consumable container according to a second embodiment of the present invention;

FIG. 10 is an isometric perspective rear view of the hood for a welding consumable container of FIG. 9;

FIG. 11 is a front view of the hood for a welding consumable container of FIG. 9;

FIG. 12 is a rear view of the hood for a welding consumable container of FIG. 9;

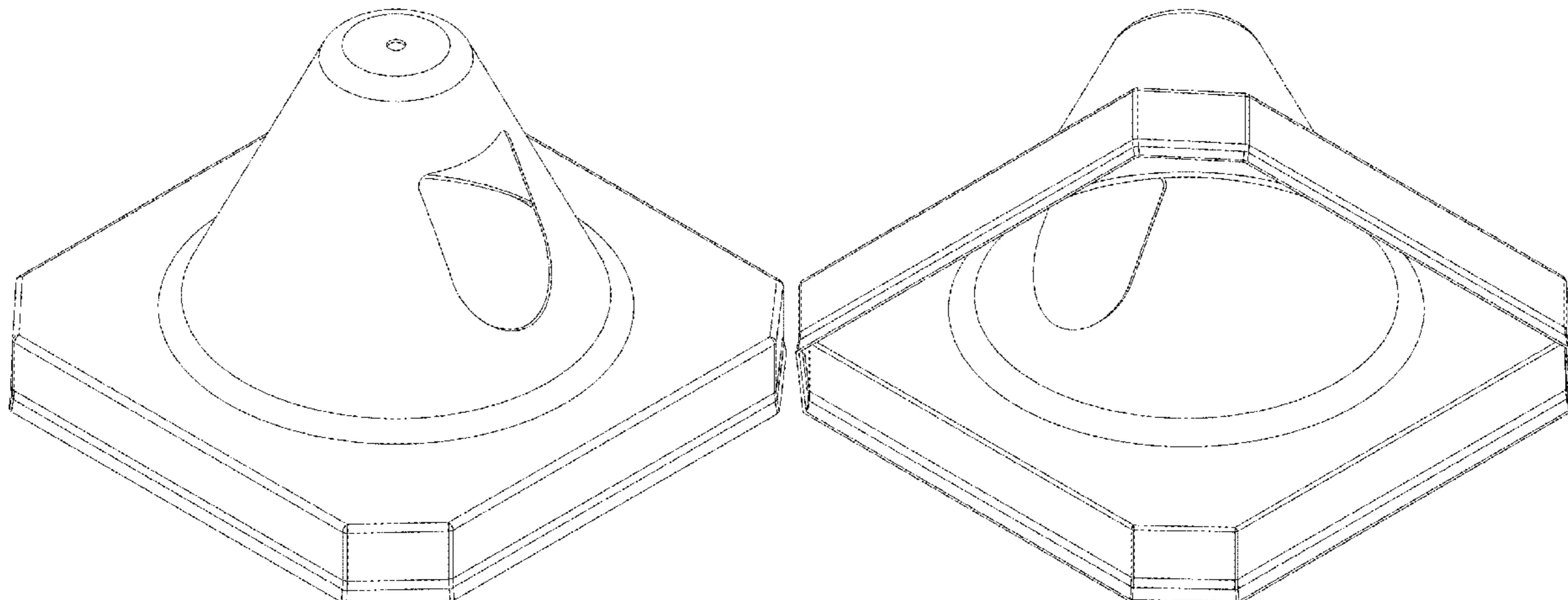
FIG. 13 is a right side view of the hood for a welding consumable container of FIG. 9;

FIG. 14 is a left side view of the hood for a welding consumable container of FIG. 9;

FIG. 15 is a top view of the hood for a welding consumable container of FIG. 9; and,

FIG. 16 is a bottom view of the hood for a welding consumable container of FIG. 9.

(Continued)



The broken lines show portions of a hood for a welding consumable container which form no part of the claimed design.

1 Claim, 8 Drawing Sheets

(58) **Field of Classification Search**

CPC B23K 37/02; B23K 37/0294; B23K 9/32
See application file for complete search history.

(56) **References Cited**

U.S. PATENT DOCUMENTS

D97,510 S * 11/1935 Shirriff 206/499
D235,248 S * 6/1975 Bennet D9/430
4,160,533 A 7/1979 Kotzur et al.
4,623,063 A 11/1986 Balkin
5,485,968 A 1/1996 Fujioka
D397,612 S * 9/1998 Lipnick D9/445
D399,738 S * 10/1998 B-Jensen D3/302
D429,429 S * 8/2000 Murphy D6/678
6,237,768 B1 5/2001 Cipriani
6,481,575 B2 11/2002 Cipriani
D472,466 S * 4/2003 Weinstein D9/430
6,564,943 B2 5/2003 Barton et al.
6,648,141 B2 11/2003 Land
6,827,217 B2 12/2004 Matsuguchi et al.
6,857,521 B2 2/2005 Cantu-Gonzalez
6,889,835 B2 5/2005 Land
6,913,145 B2 7/2005 Barton et al.
6,938,767 B2 9/2005 Gelmetti
7,017,742 B2 3/2006 Dragoo et al.
7,124,889 B2 10/2006 Fuemmeler
7,152,735 B2 12/2006 Dragoo et al.
7,188,816 B2 3/2007 Aoki et al.
7,191,968 B2 3/2007 Kuper
7,198,152 B2 4/2007 Barton et al.
7,220,942 B2 5/2007 Barton et al.
7,309,038 B2 12/2007 Carroscia
7,311,285 B2 12/2007 Rauchs et al.
7,331,457 B2 2/2008 Cipriani
7,353,947 B2 4/2008 Weissbrod
7,377,388 B2 5/2008 Hsu et al.
7,398,881 B2 7/2008 Barton et al.
7,552,826 B2 6/2009 Watanabe
7,748,530 B2 7/2010 Hsu et al.
7,866,586 B2 1/2011 Fabian
7,905,439 B2 3/2011 Fabian
7,938,352 B2 5/2011 Fabian
7,958,996 B2 6/2011 Hsu et al.
8,127,923 B2 3/2012 Gelmetti
8,245,846 B2 8/2012 Nicklas
8,313,054 B2 11/2012 Carroscia et al.
D672,645 S * 12/2012 Giannini D9/430
8,365,912 B2 2/2013 Carroscia et al.
8,485,358 B2 7/2013 Barhorst et al.
8,534,581 B2 9/2013 Cooper et al.
8,550,245 B2 10/2013 Dragoo et al.
8,608,003 B2 12/2013 Uno

D698,242 S * 1/2014 Hartman D9/430
8,631,936 B2 1/2014 Rolfes et al.
8,662,003 B1 3/2014 Cooper et al.
8,668,086 B2 3/2014 Gelmetti
8,752,782 B2 6/2014 Matthews, III
8,794,561 B2 8/2014 Fabian
8,882,018 B2 11/2014 Gelmetti
D719,824 S * 12/2014 Wagner D9/430
8,931,638 B2 1/2015 Weissbrod
8,967,520 B2 3/2015 Matthews, III et al.
8,967,690 B2 3/2015 Cooper et al.
9,010,532 B2 4/2015 Nicklas
9,132,988 B2 9/2015 Weissbrod
9,193,558 B2 11/2015 Matthews et al.
9,260,269 B2 2/2016 Weissbrod et al.
9,265,307 B2 2/2016 Cooper et al.
9,421,633 B2 8/2016 Weissbrod et al.
9,493,294 B2 11/2016 Nicklas et al.
9,604,742 B2 3/2017 Yasutomi et al.
D800,552 S * 10/2017 Silverman D9/430
9,868,610 B2 1/2018 Weissbrod et al.
9,873,587 B2 1/2018 Matthews, III et al.
9,908,662 B2 3/2018 Campagna et al.
9,919,857 B2 3/2018 Weissbrod
9,950,857 B1 4/2018 Gelmetti
D841,443 S * 2/2019 Foster, II D8/360.1
10,294,065 B2 5/2019 Gelmetti
D863,939 S * 10/2019 Foster, II D8/356
D906,802 S * 1/2021 Chi D9/430
2003/0042163 A1 3/2003 Cipriani
2004/0211851 A1 10/2004 Barton et al.
2006/0124489 A1 6/2006 Dragoo et al.
2006/0196794 A1 9/2006 Nicklas
2006/0249611 A1 11/2006 Carroscia et al.
2007/0045141 A1 3/2007 Gelmetti
2007/0051716 A1 3/2007 Hartman et al.
2007/0175965 A1 8/2007 Carroscia
2008/0142626 A1 6/2008 Park
2008/0142627 A1 6/2008 Lee
2011/0132786 A1 6/2011 Yasutomi et al.
2011/0174792 A1 7/2011 Gelmetti
2012/0109833 A1 5/2012 Agosti et al.
2013/0081967 A1 4/2013 Gaul et al.
2013/0082132 A1 4/2013 Gaul
2013/0218790 A1 8/2013 Agosti et al.
2014/0183294 A1 7/2014 Weissbrod
2014/0246532 A1 9/2014 Carroscia et al.
2015/0353270 A1 12/2015 Gaul
2017/0295967 A1 10/2017 Bucksch
2018/0207744 A1 7/2018 Stoecker
2018/0282055 A1 10/2018 Wiener et al.
2018/0362287 A1 12/2018 Weissbrod
2019/0070686 A1 3/2019 Kooken et al.
2019/0072941 A1 3/2019 Kooken et al.

FOREIGN PATENT DOCUMENTS

WO 2018234392 A1 12/2018
WO 2018234393 A1 12/2018
WO 2019157411 A2 8/2019

* cited by examiner

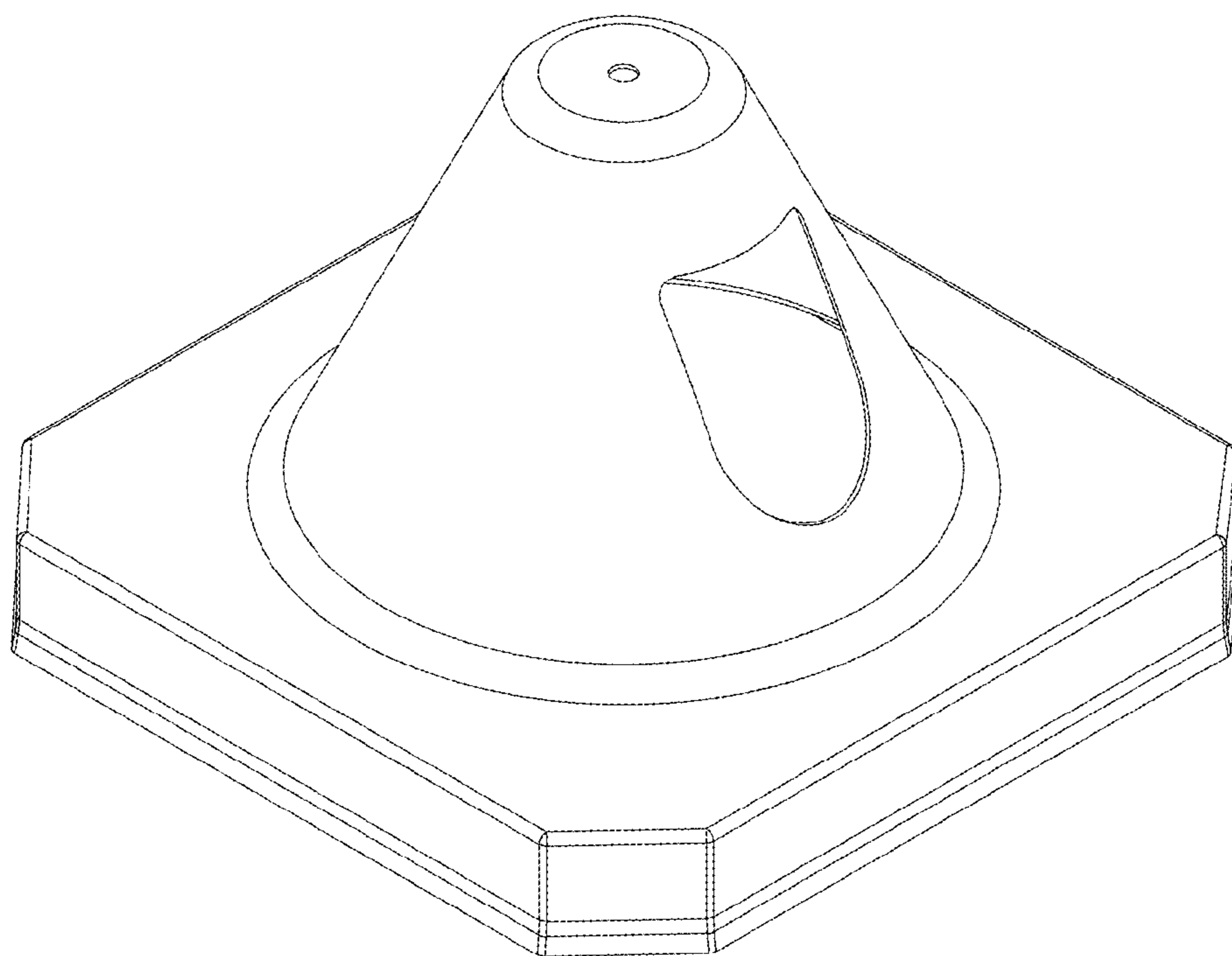


FIG.1

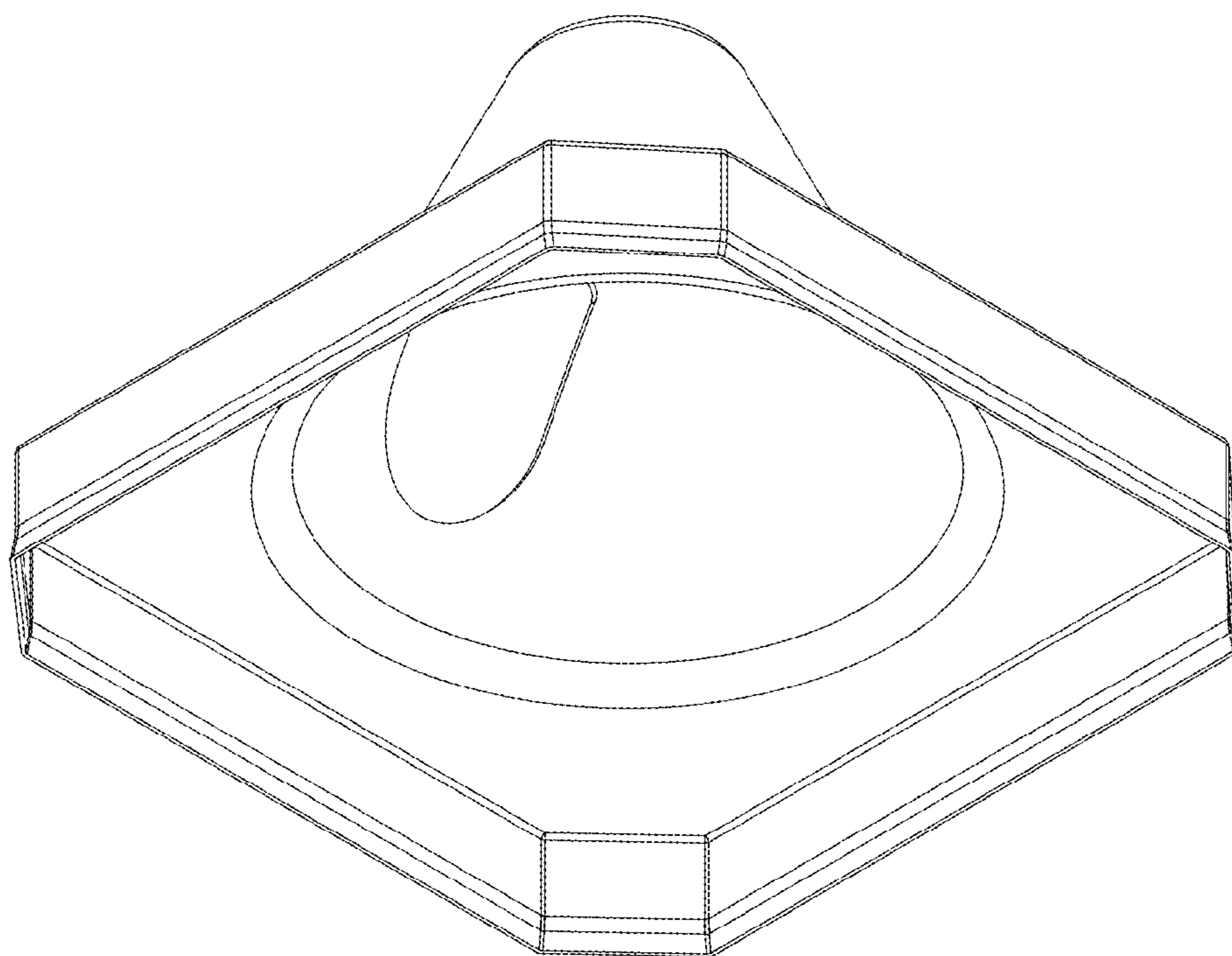


FIG.2

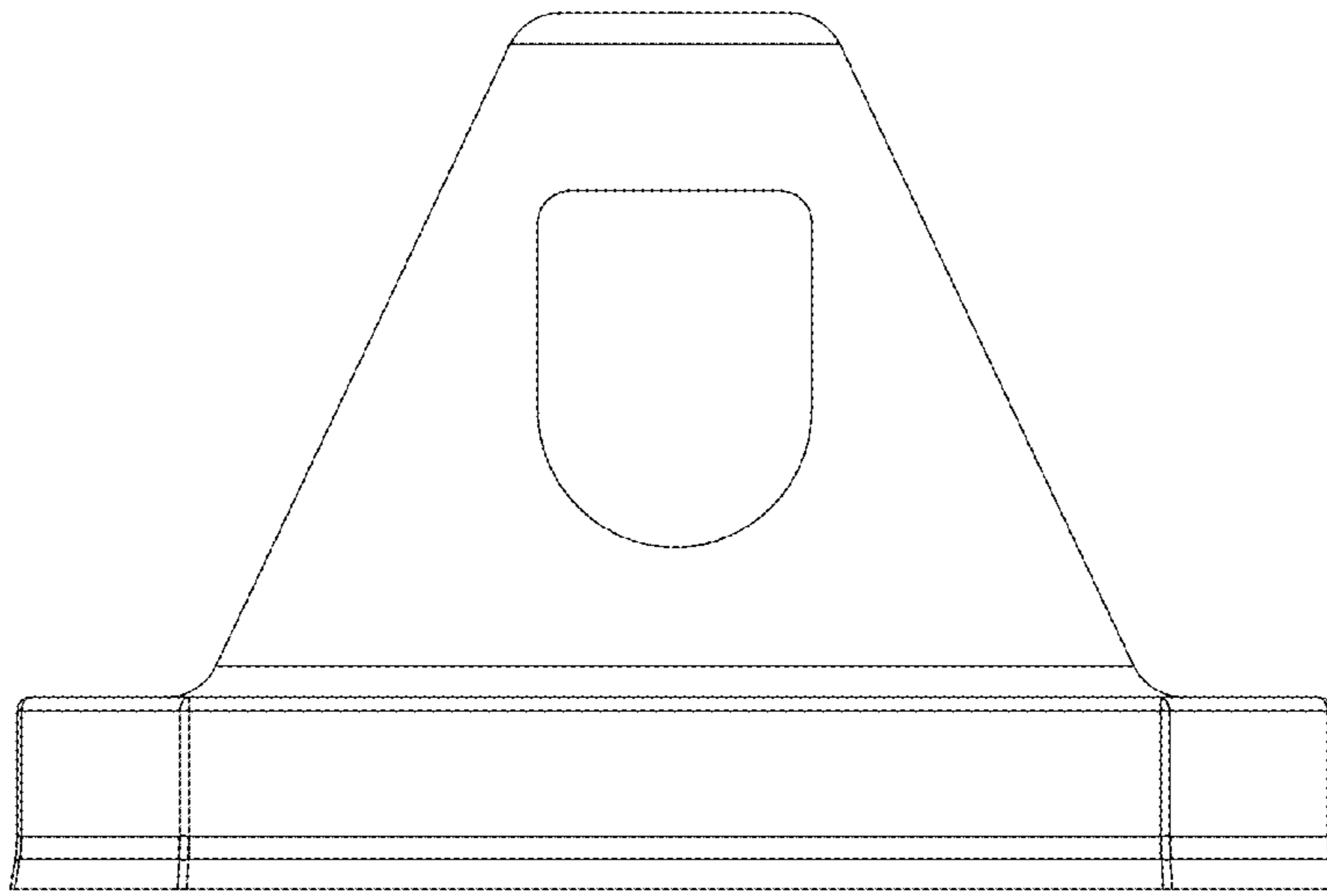


FIG.3

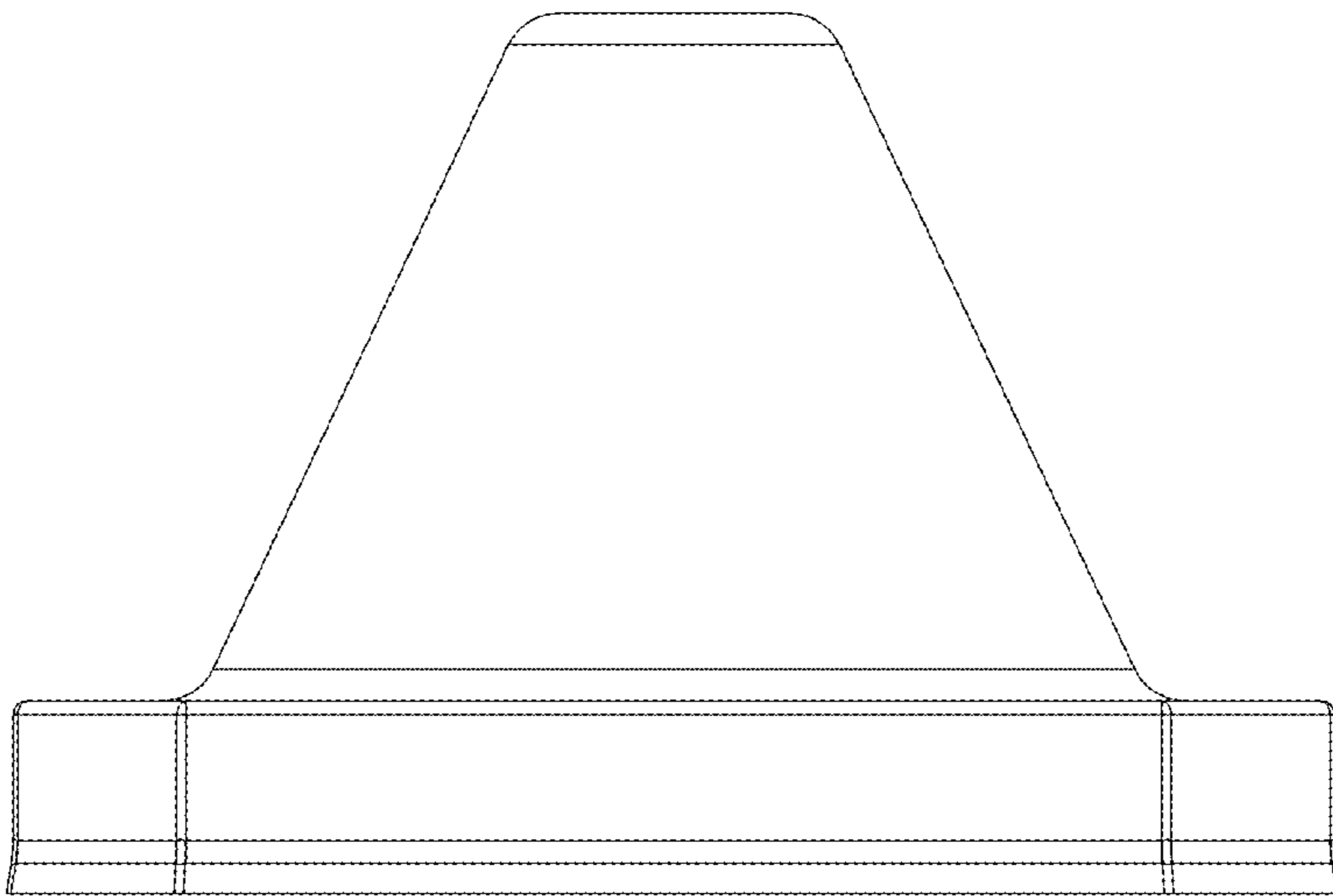


FIG.4

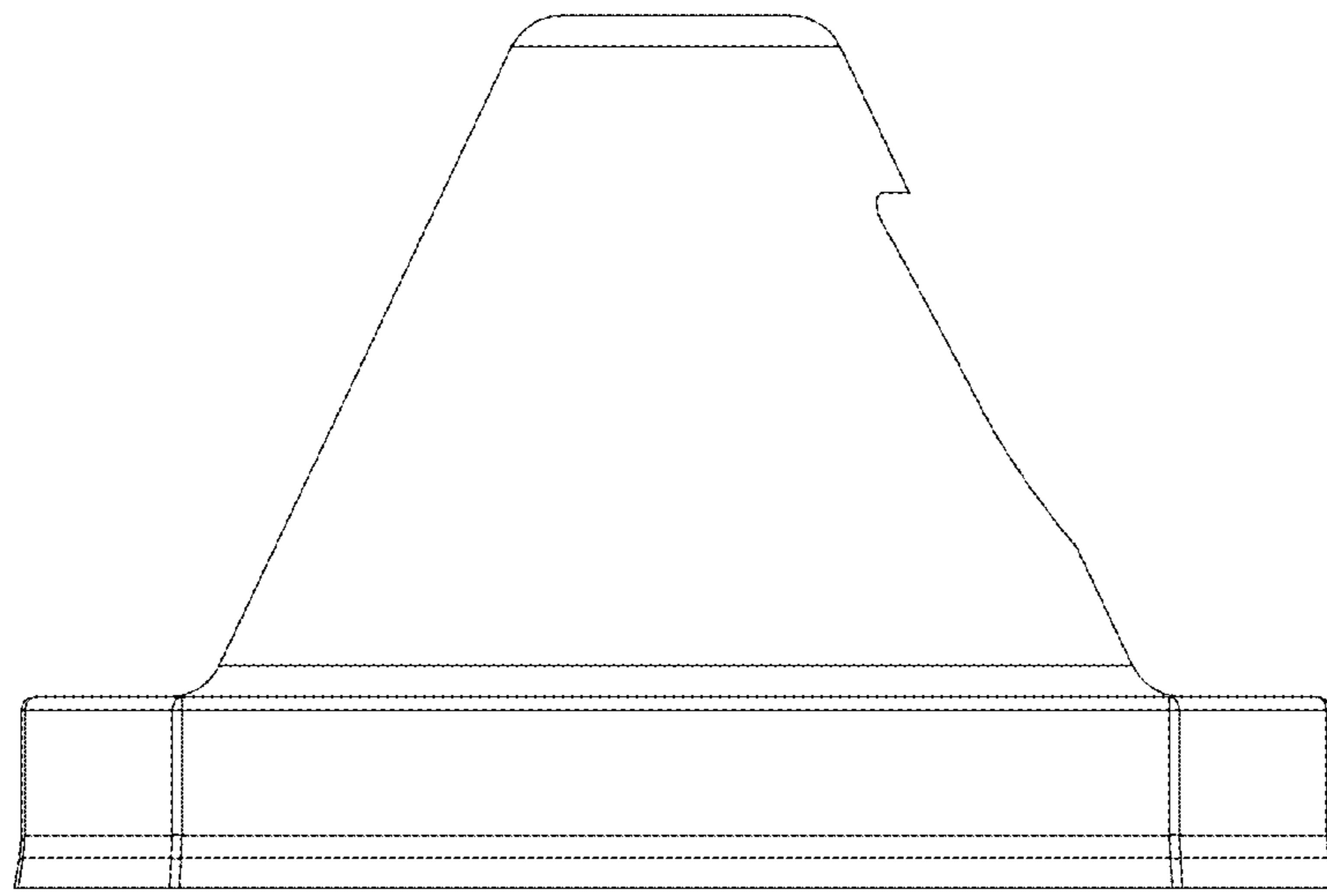


FIG. 5

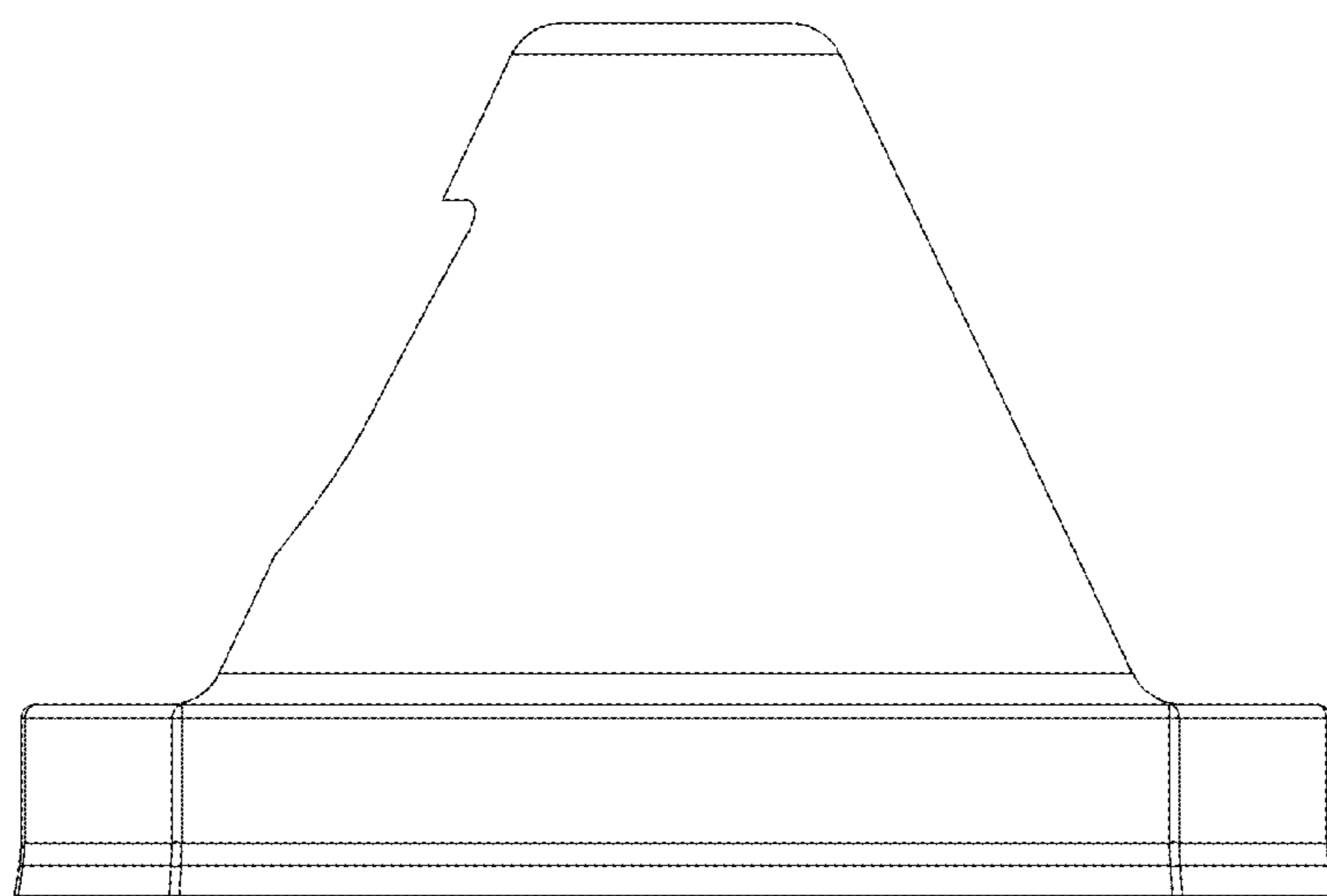


FIG. 6

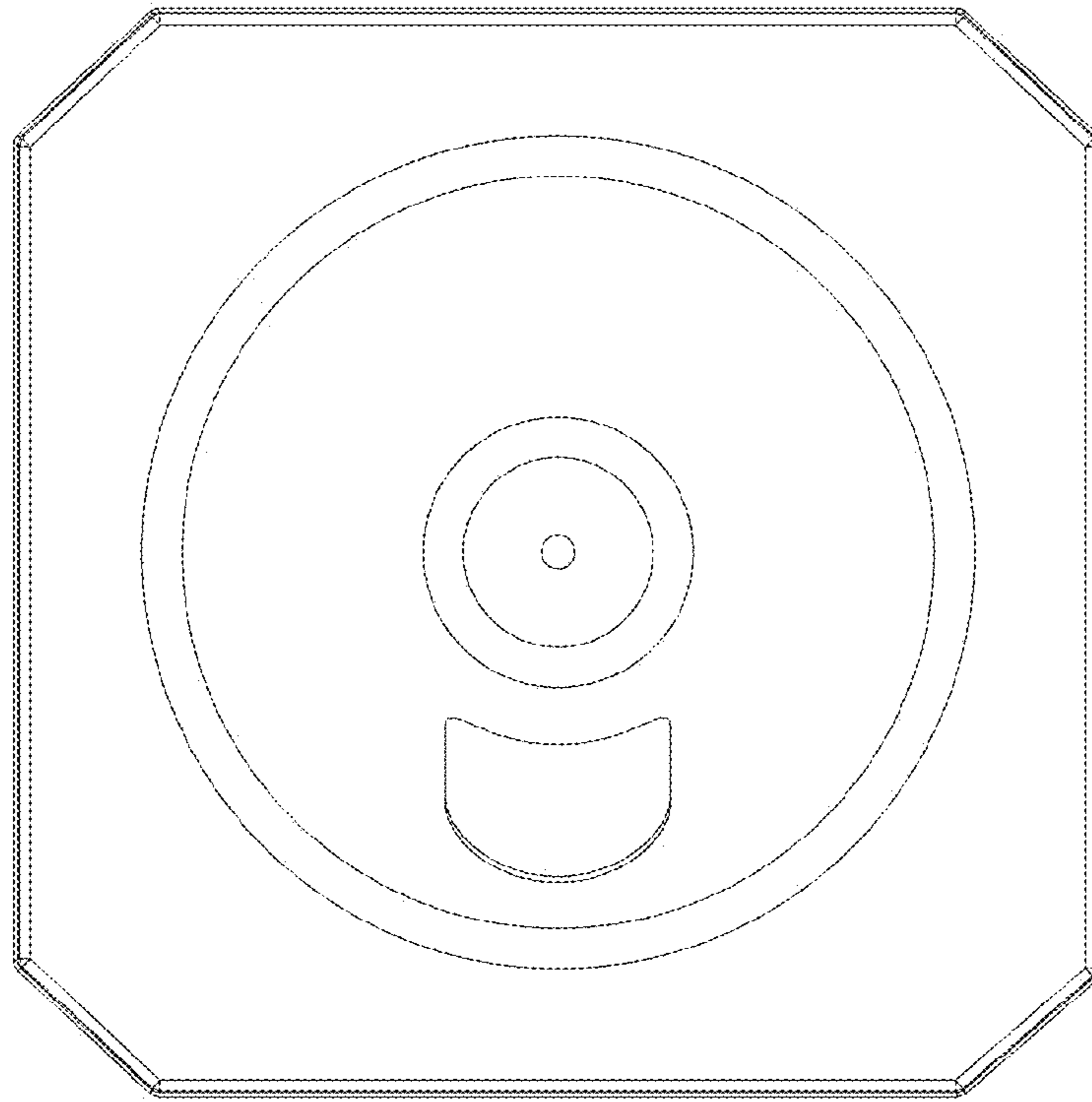


FIG. 7

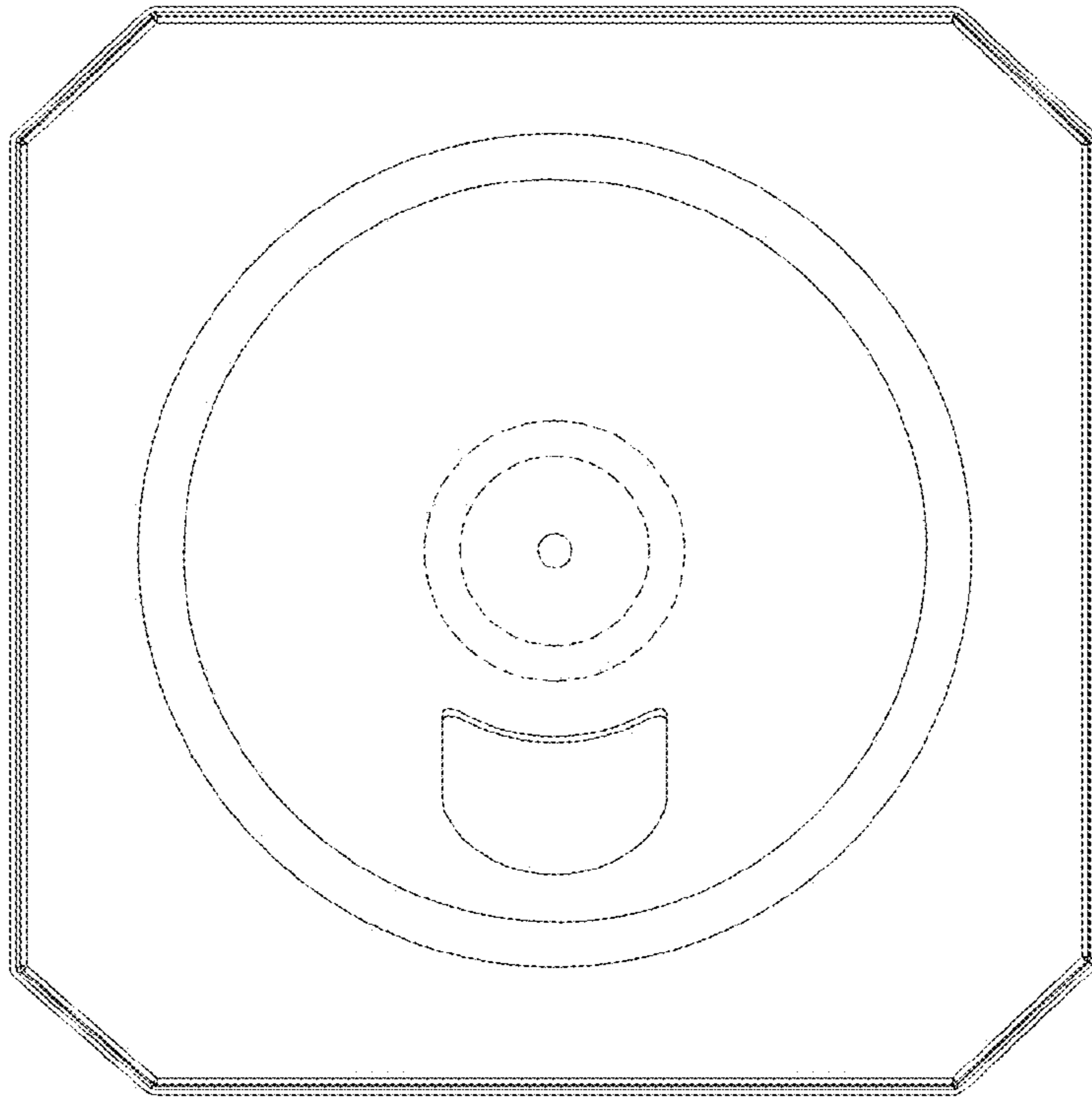


FIG. 8

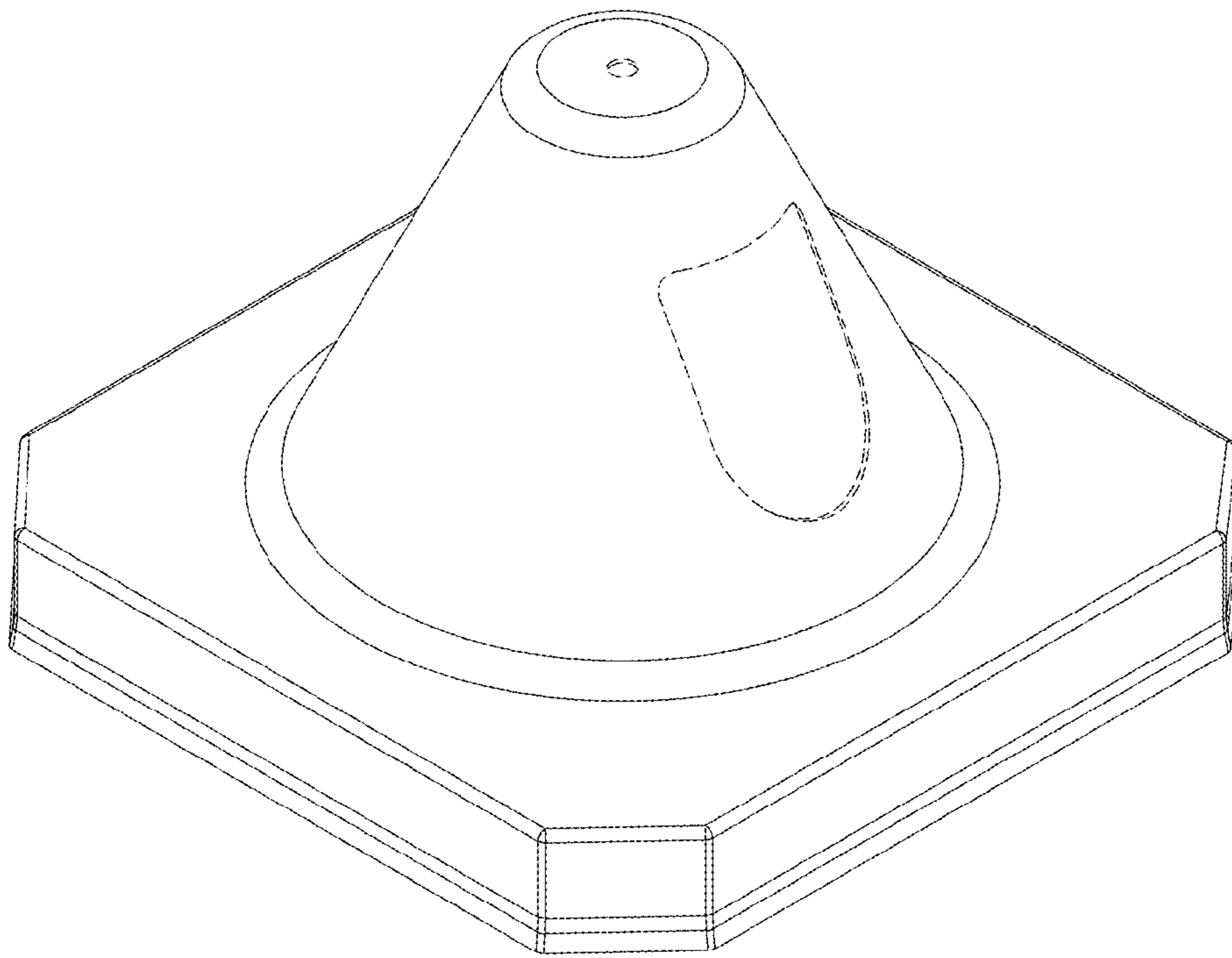


FIG.9

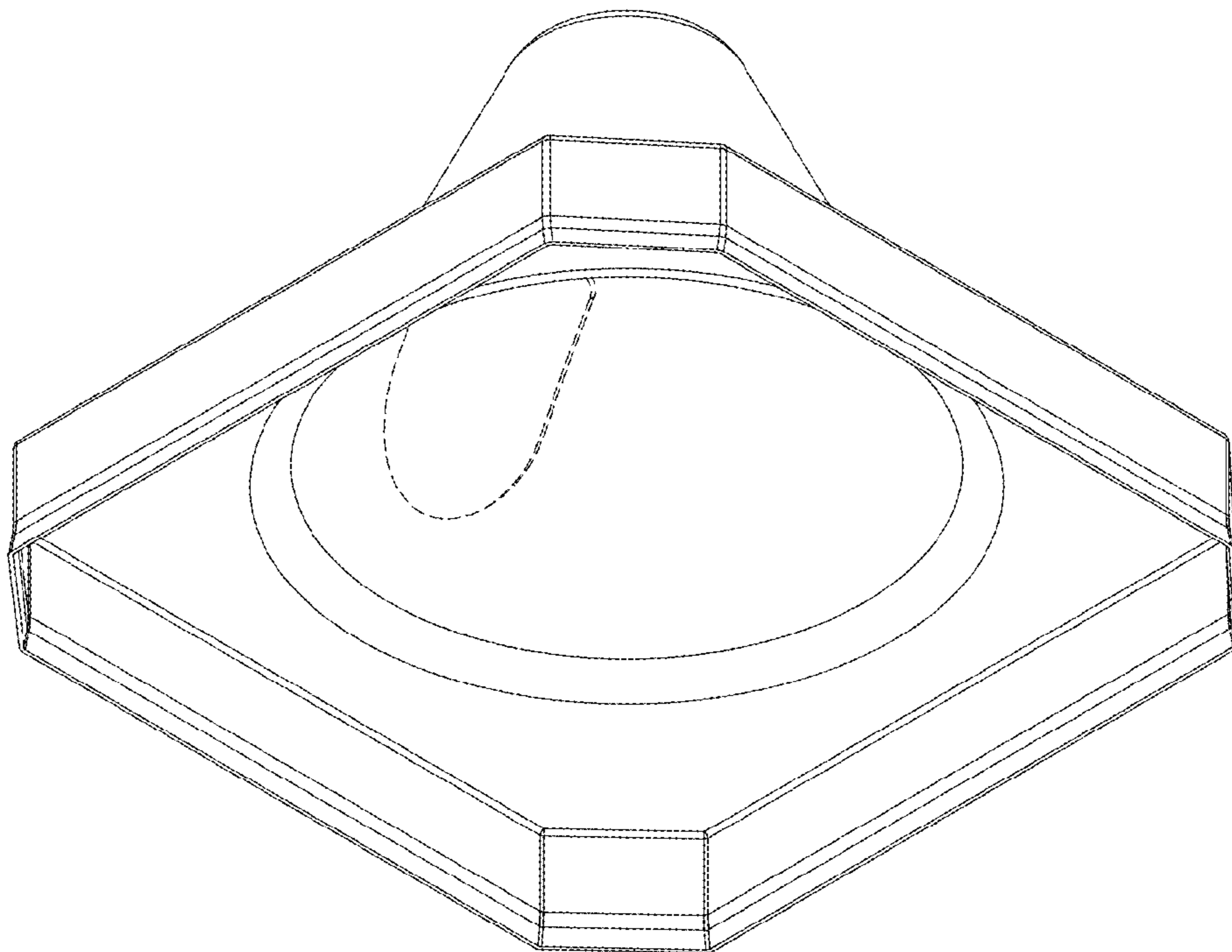


FIG.10

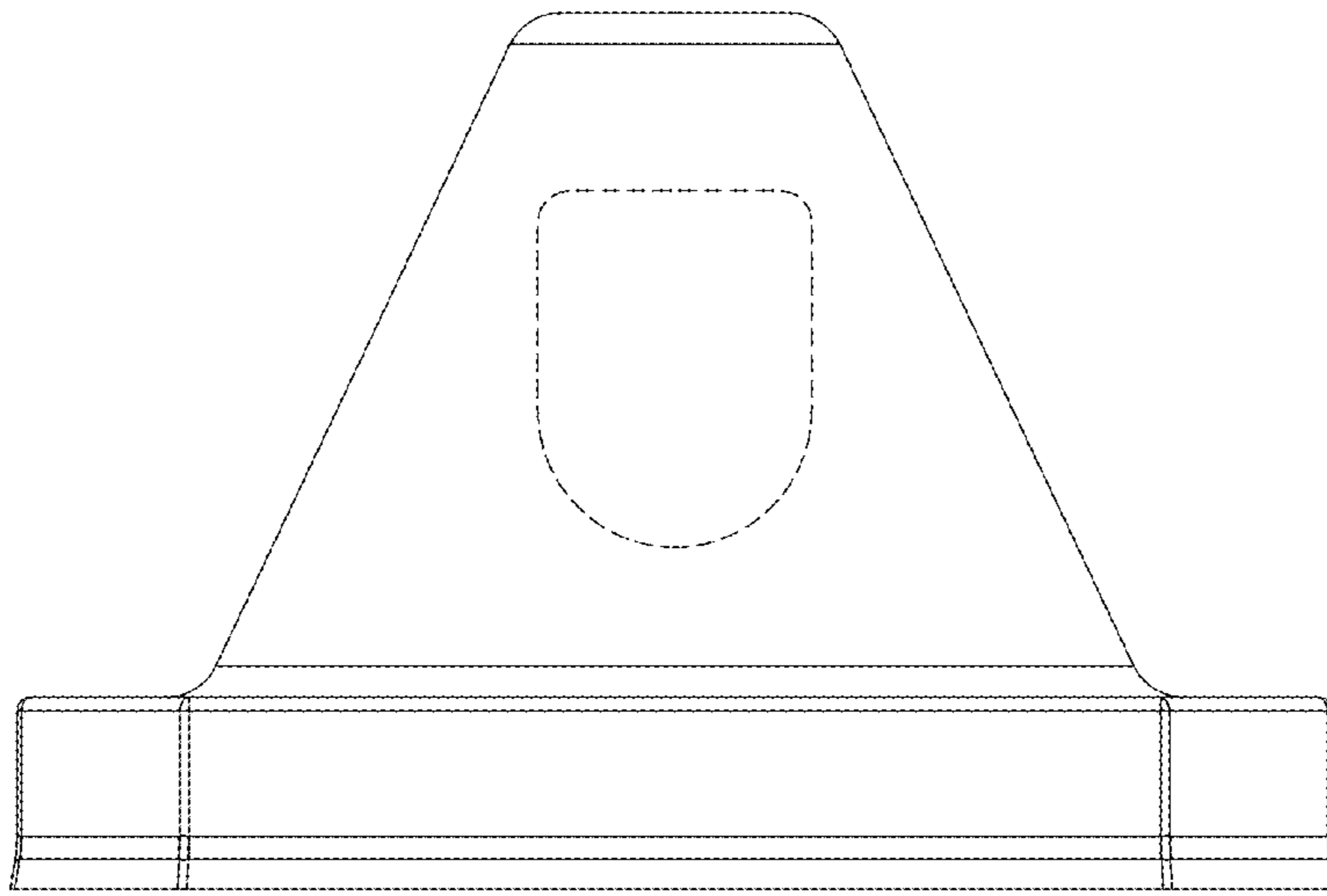


FIG.11

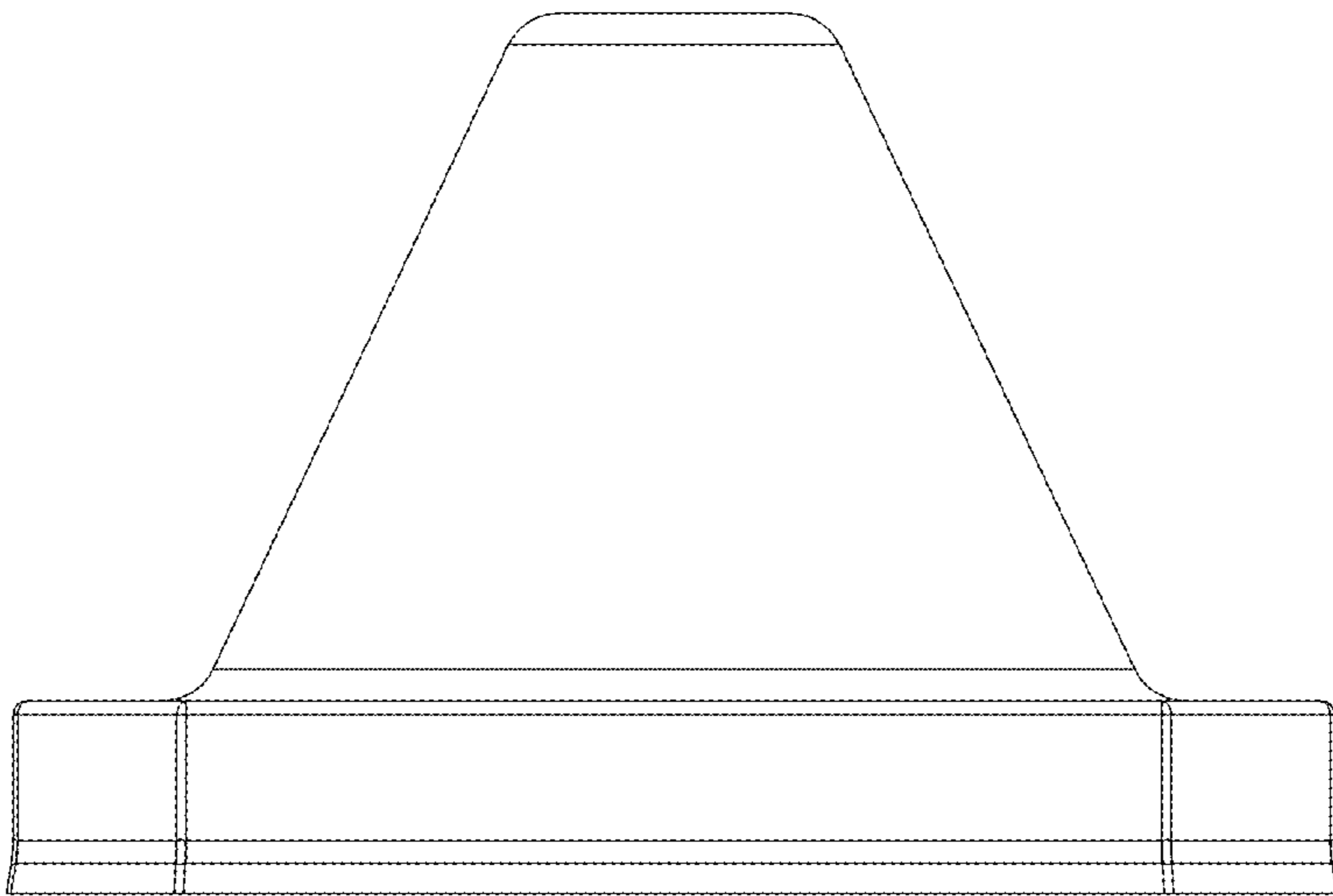


FIG.12

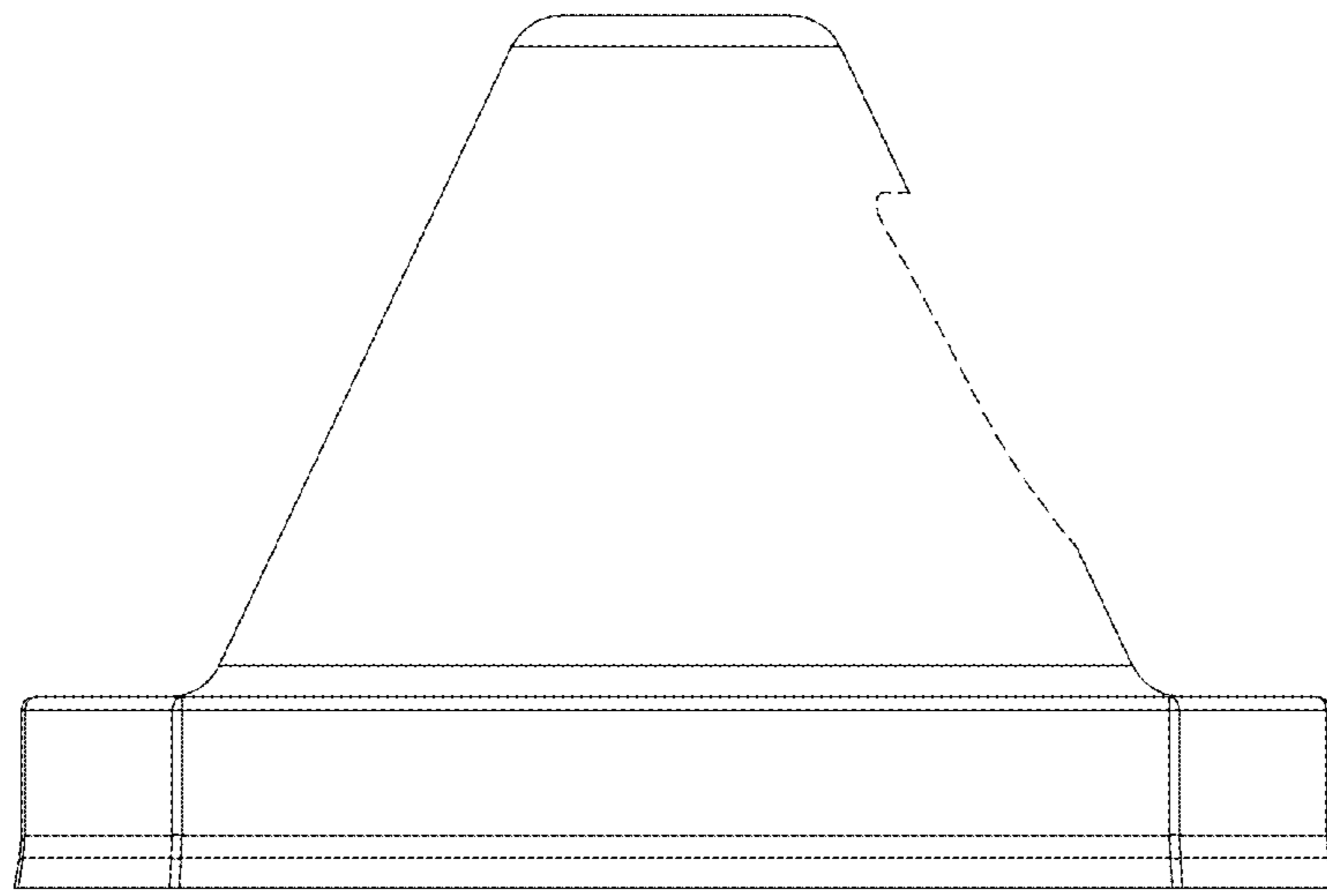


FIG.14

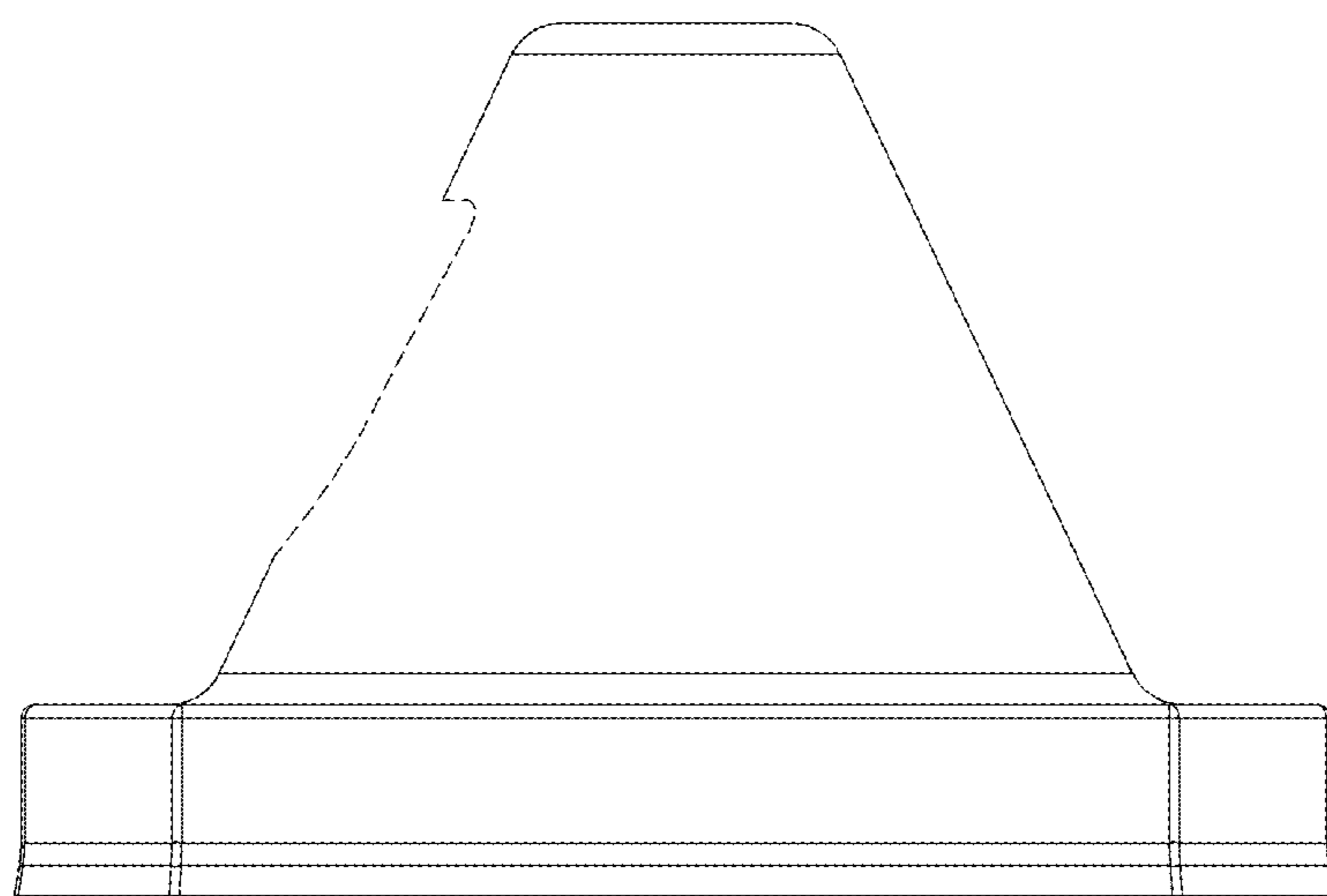


FIG.13

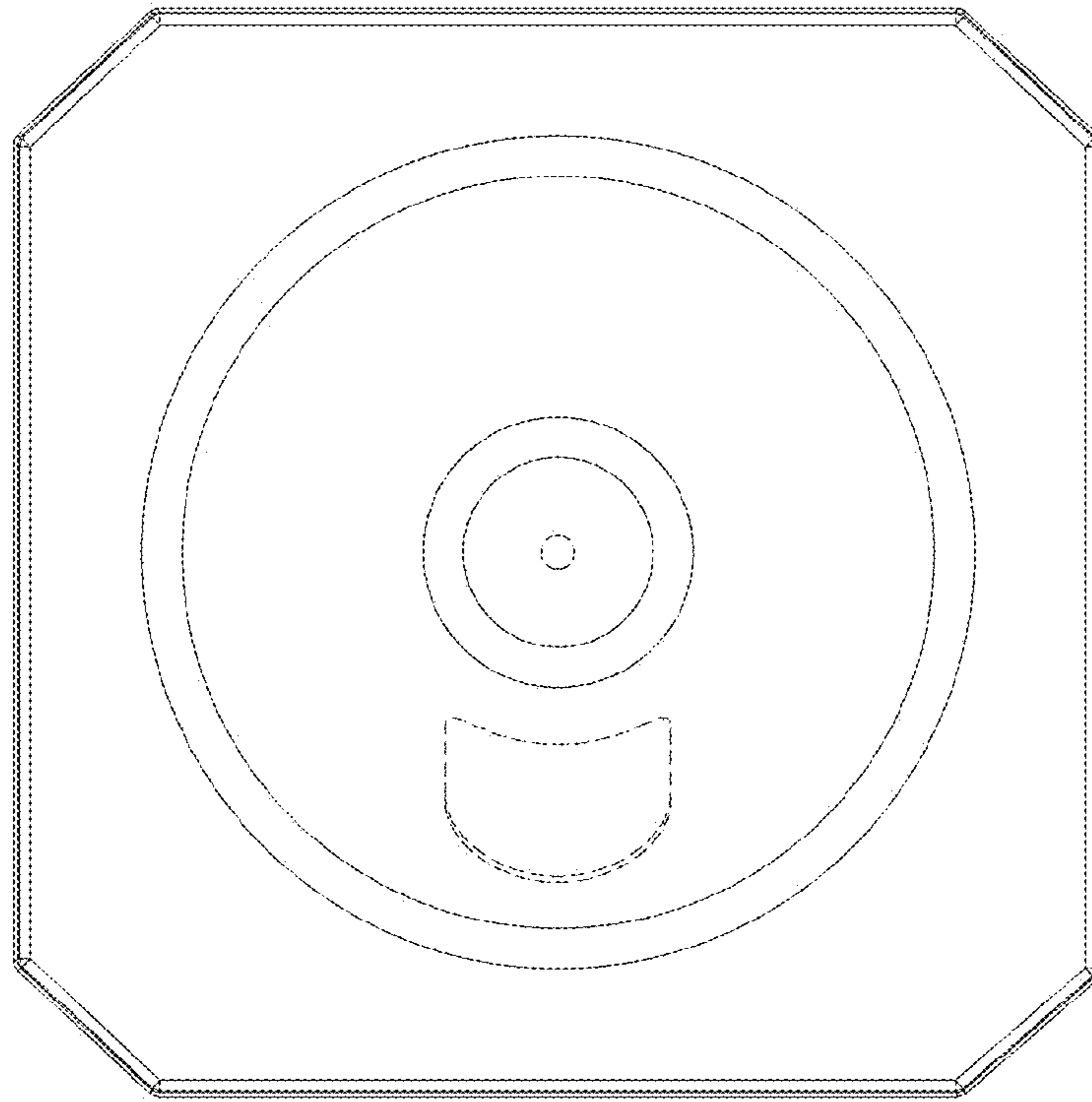


FIG.15

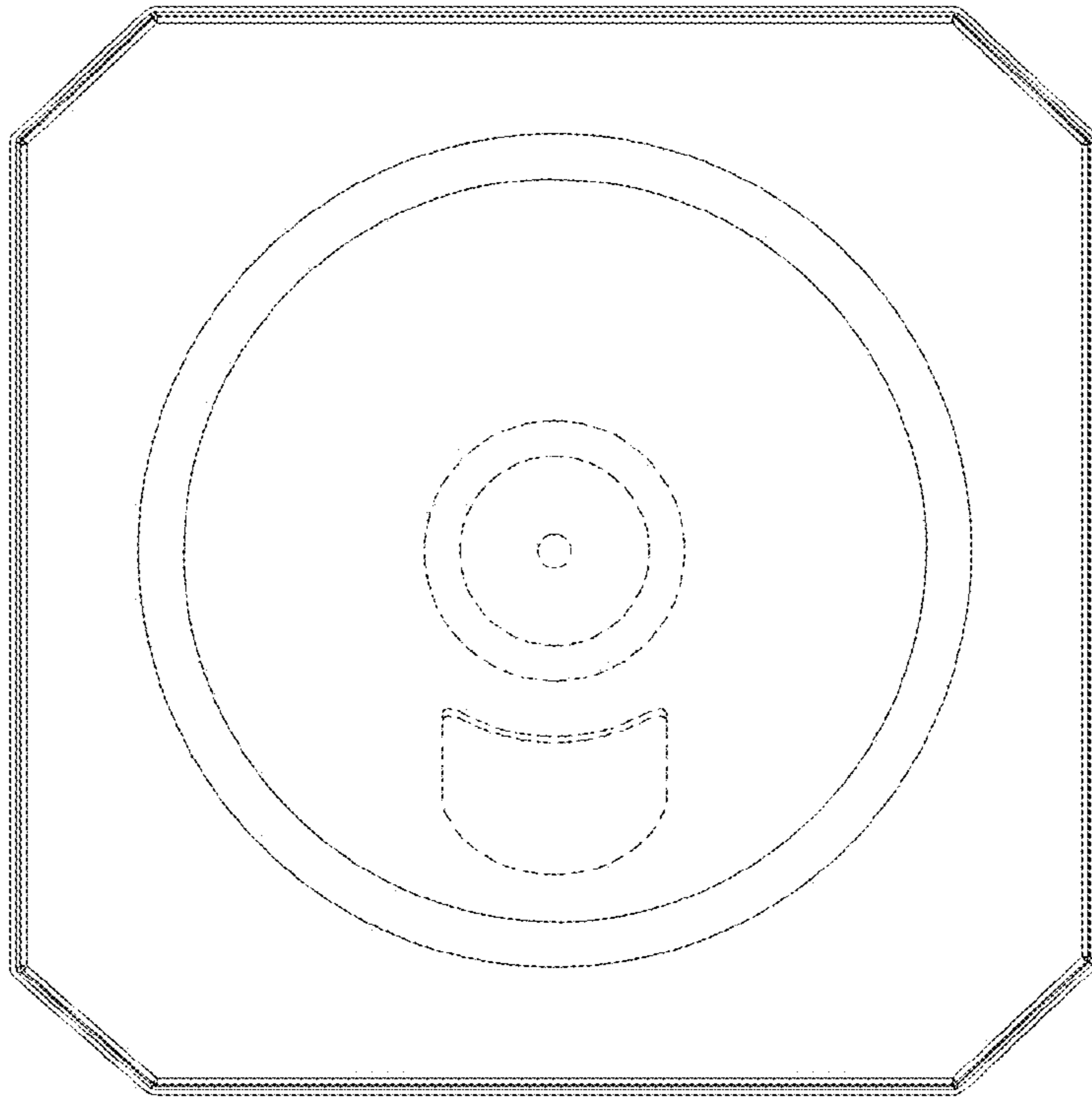


FIG.16