



US00D991123S

(12) **United States Design Patent** (10) **Patent No.:** **US D991,123 S**
Brown, Jr. (45) **Date of Patent:** **** Jul. 4, 2023**

(54) **DOCK STEP**
(71) Applicant: **Maynard H. Brown, Jr.**, Fishers
Landing, NY (US)
(72) Inventor: **Maynard H. Brown, Jr.**, Fishers
Landing, NY (US)
(**) Term: **15 Years**
(21) Appl. No.: **29/838,274**

D664,494 S 7/2012 Schenk
D690,533 S * 10/2013 Majcher D6/574
D716,581 S * 11/2014 Davis D6/574
D717,713 S * 11/2014 Whalen D12/317
D745,704 S * 12/2015 Tesauro D25/69
D764,834 S * 8/2016 Citterio D6/574
D784,745 S * 4/2017 Nilsson D6/705
D788,669 S * 6/2017 Guo D12/203
D833,940 S * 11/2018 DiCanzio D12/203
D846,469 S * 4/2019 Guo D12/203
D847,535 S * 5/2019 Goodman D6/567
D855,352 S * 8/2019 Nilssen D15/89

(Continued)

(22) Filed: **May 11, 2022**
(51) **LOC (14) Cl.** **12-16**
(52) **U.S. Cl.**
USPC **D12/203**
(58) **Field of Classification Search**
USPC D12/203, 300, 316, 317, 314, 196, 190,
D12/168, 98, 89; D8/381; D6/574, 567,
D6/553
CPC .. B60R 3/002; B60R 3/02; B60R 3/00; B60R
3/005; B60R 3/007
See application file for complete search history.

OTHER PUBLICATIONS

Heavy Duty Basic Shelf Slat Wall Panel Set and Bin Storage Set,
Retrieved from Internet, Retrieved on Feb. 14, 2022 <URL: <https://www.homedepot.com/p/Flow-Wall-36-in-H-x-96-in-W-14-pc-Heavy-Duty-Basic-Shelf-Slat-Wall-Panel-Set-and-Bin-Storage-Set-with-6-Panels-White-FWS-4812-6WB25/318870723>>.

(Continued)

Primary Examiner — Michelle E. Wilson
Assistant Examiner — Clese Moore, Jr.

(56) **References Cited**
U.S. PATENT DOCUMENTS

D260,832 S * 9/1981 Verdesca D6/572
D293,404 S * 12/1987 Murphy D6/567
D458,071 S * 6/2002 Hoernig D6/574
D458,072 S * 6/2002 Hoernig D6/574
D468,947 S * 1/2003 Rafter D6/553
D477,490 S * 7/2003 Hoernig D6/574
D482,878 S * 12/2003 Arendt D6/349
D485,109 S * 1/2004 Oberhaus D6/574
D492,873 S * 7/2004 Roberts, III D6/574
D496,307 S 9/2004 Stinson
D501,621 S * 2/2005 Ayers D6/574
D512,867 S * 12/2005 Gates D6/574
D532,118 S * 11/2006 Reese D25/65
D598,228 S * 8/2009 West D6/574
D618,148 S * 6/2010 Hoppert D12/203
D640,489 S 6/2011 Tuholski
D649,563 S * 11/2011 Doraivelmanimoz D15/28

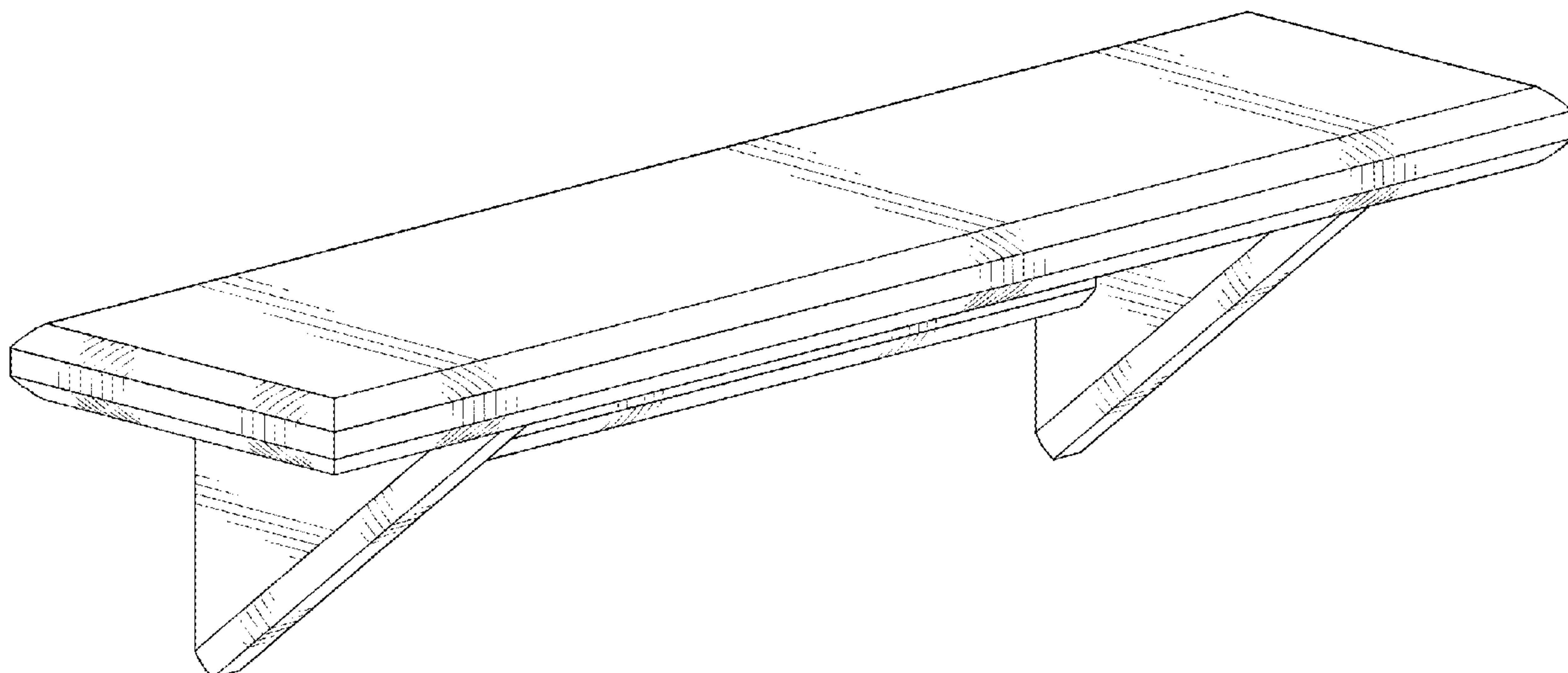
(57) **CLAIM**

The ornamental design for a dock step, as shown and described.

DESCRIPTION

FIG. 1 is a front-top-right perspective view of a dock step showing my new design;
FIG. 2 is a front-bottom-left perspective view thereof;
FIG. 3 is a rear-bottom-left perspective view thereof;
FIG. 4 is a front elevational view thereof;
FIG. 5 is a rear elevational view thereof;
FIG. 6 is a top plan view thereof;
FIG. 7 is a bottom plan view thereof;
FIG. 8 is a left elevational view thereof; and,
FIG. 9 is a right elevational view thereof.

1 Claim, 9 Drawing Sheets



(56)

References Cited

U.S. PATENT DOCUMENTS

D871,992	S *	1/2020	Joshi	D12/203
D875,427	S	2/2020	Chiang	
D903,575	S	12/2020	Hawkes	
D916,522	S *	4/2021	Hong	D6/574
D916,523	S *	4/2021	Hong	D6/574
D919,325	S *	5/2021	Wang	D6/574
D919,326	S *	5/2021	Wang	D6/574
D922,795	S *	6/2021	Hong	D6/574
D946,929	S *	3/2022	Holzmann	D6/574
2019/0053623	A1 *	2/2019	Sisto	F16B 5/0084
2020/0315129	A1 *	10/2020	Kumetz	A01K 1/035

OTHER PUBLICATIONS

Steel Folding Step, Retrieved from Internet, Retrieved on Feb. 14, 2022 <URL: <https://www.zoro.com/buyers-products-steel-folding-step-b2797bpc/i/G6102966/>>.

Vestil SFS-149 Manual Serrated Steel Fold Up Step, Retrieved from Internet, Retrieved on Feb. 14, 2022 <URL: <https://www.toolfetch.com/Vestil-SFS-149-Manual-Serrated-Steel-Fold-Up-Step>>.

Rounded Front Wooden Cat Wall Shelf + 2 Steps, Retrieved from Internet, Retrieved on Feb. 14, 2022 <URL: <https://www.catsplay.com/rounded-front-wooden-cat-wall-shelf-2-steps>>.

D Wall-Mount Fold Shower Teak Bench, Retrieved from Internet, Retrieved on Feb. 14, 2022 <URL: <https://www.stores5s.tk/ProductDetail.aspx?iid=320014470&pr=87.88>>.

Corblynd 8 in.x8 in.x8 in. Rustic Brown Decorative Wall Shelf, Retrieved from Internet, Retrieved on Feb. 14, 2022 <URL: <https://www.homedepot.com/pep/Kate-and-Laurel-Corblynd-8-in-x-8-in-x-8-in-Rustic-Brown-Decorative-Wall-Shelf-217757/314146092>>.

4 Step Telescoping Folding Pontoon Boat Dock Ladder, Stainless Steel Swim Step Ladder for Boat Yacht Dock, Retrieved from Internet, Retrieved on Feb. 14, 2022 <URL: <https://www.amazon.com/dp/B07X65FGNJ>>.

* cited by examiner

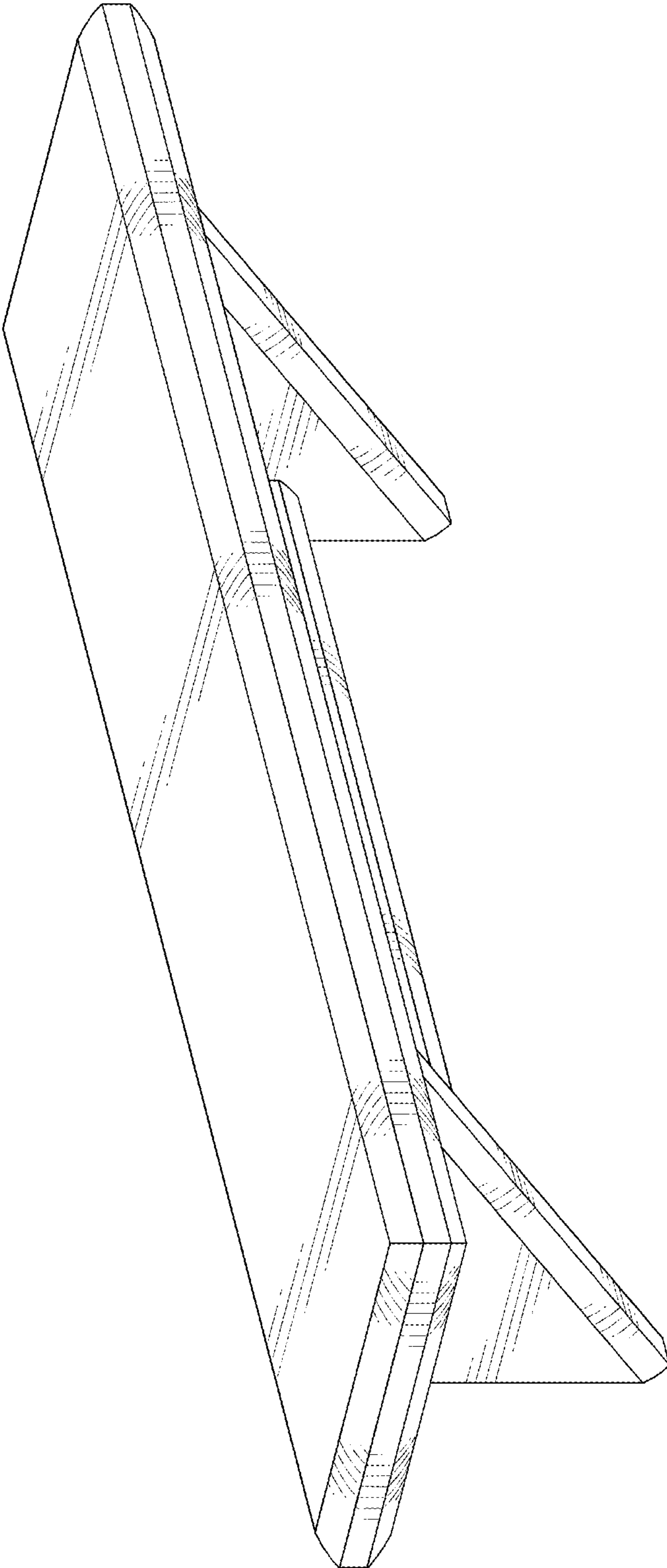


FIG. 1

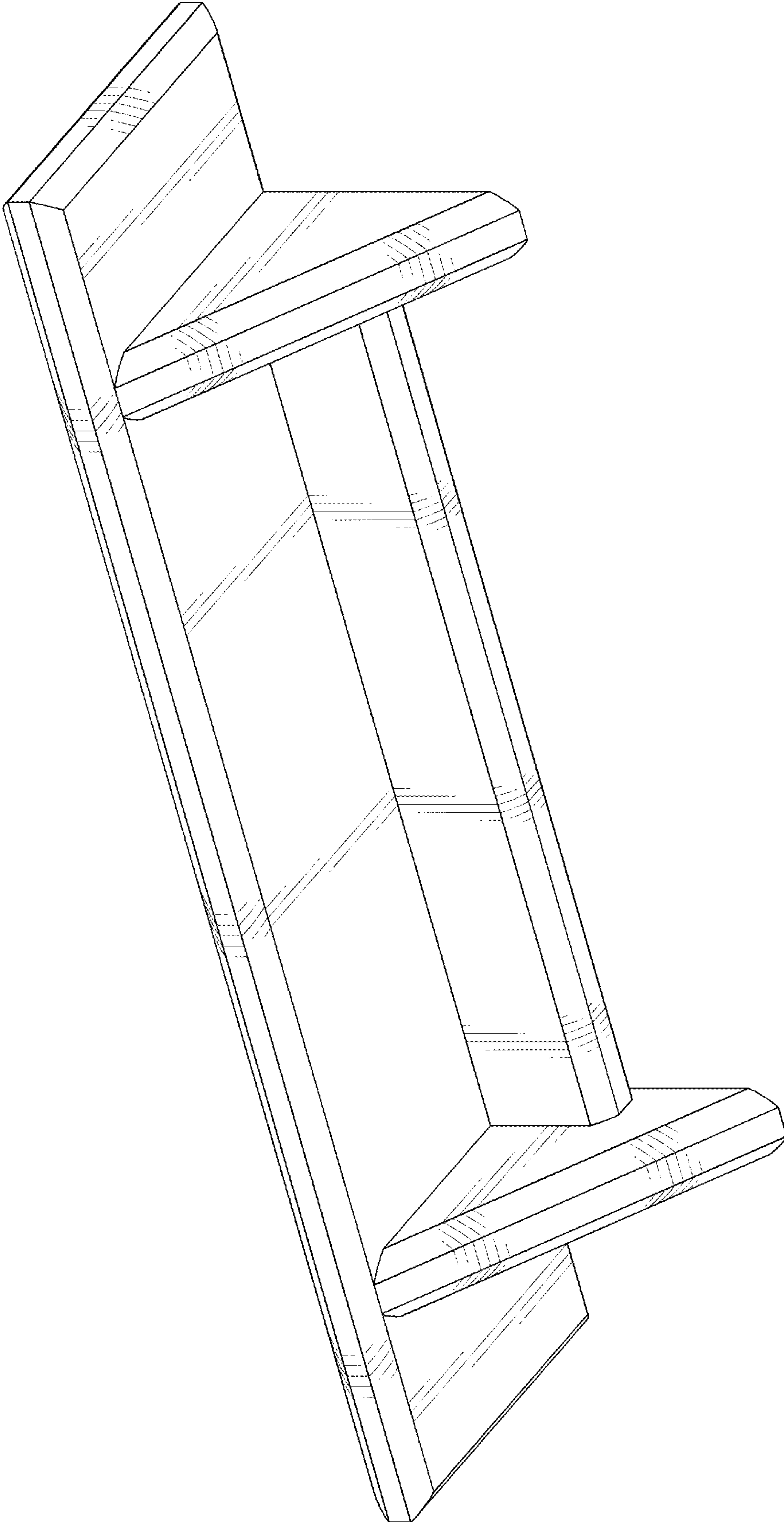


FIG. 2

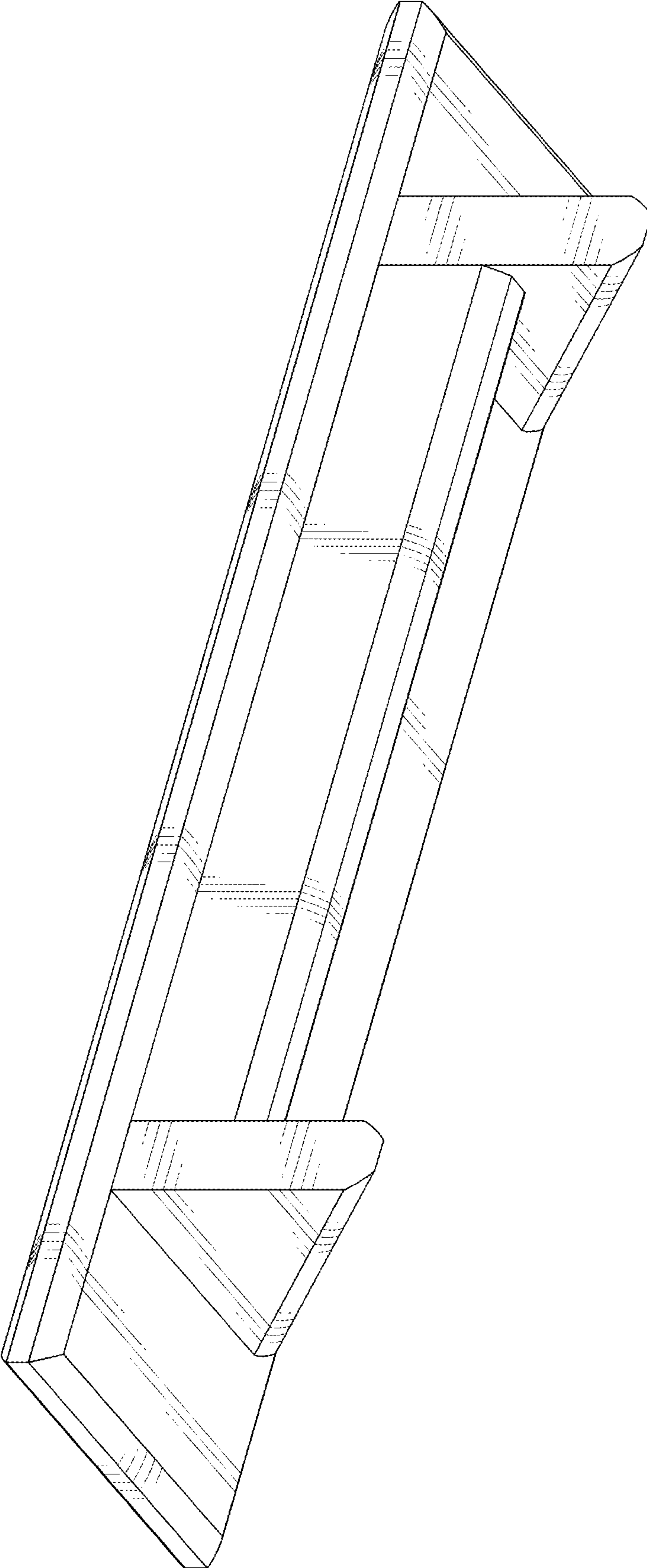


FIG. 3

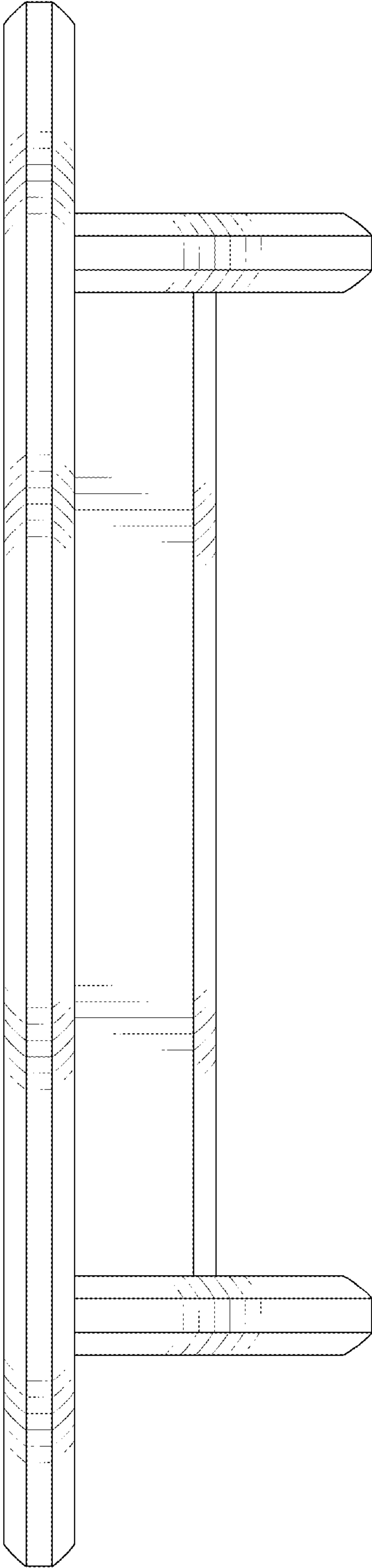


FIG. 4

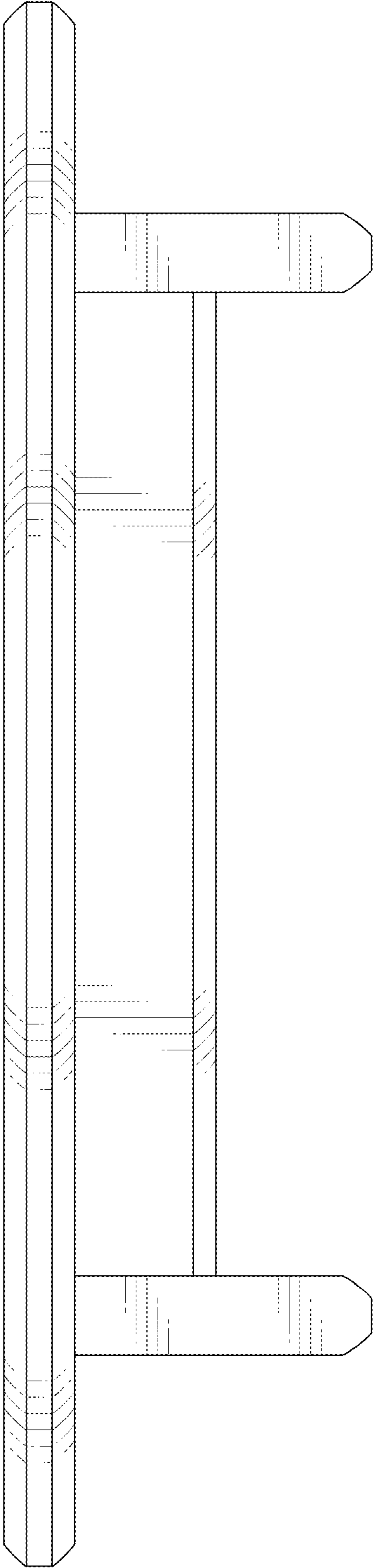


FIG. 5

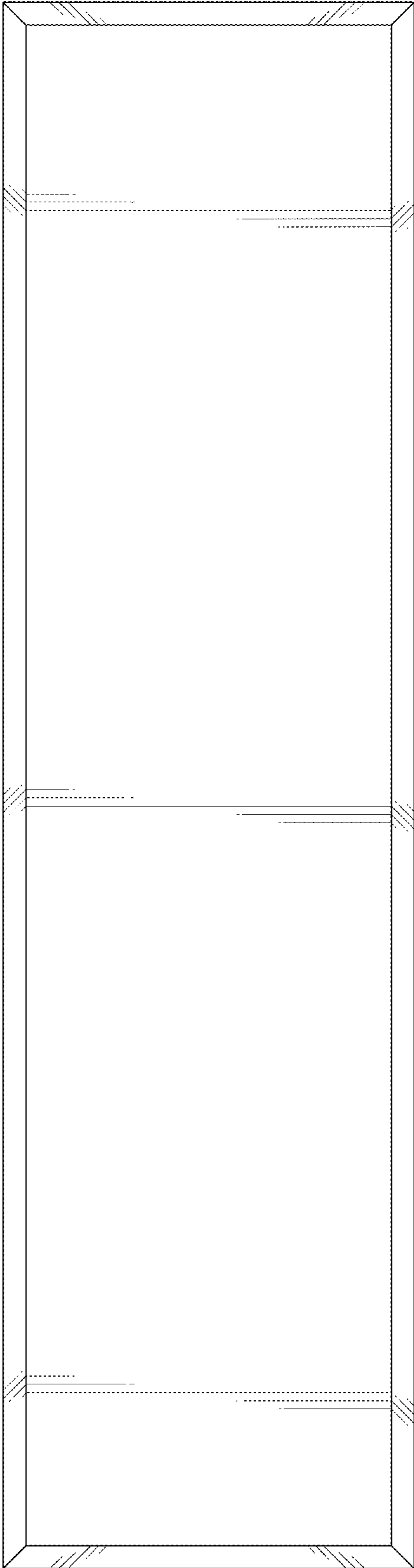


FIG. 6

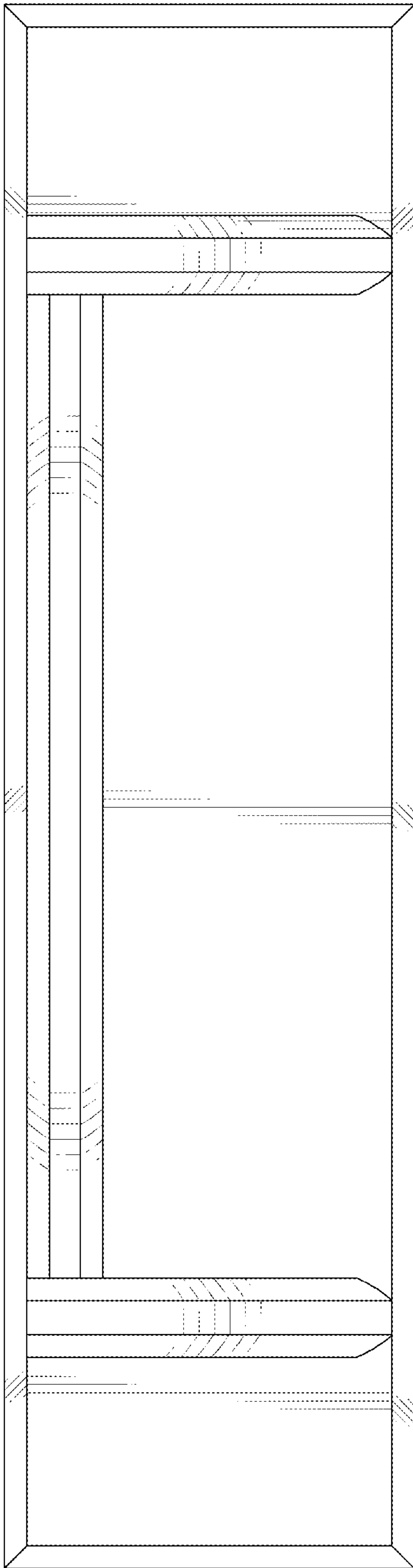


FIG. 7

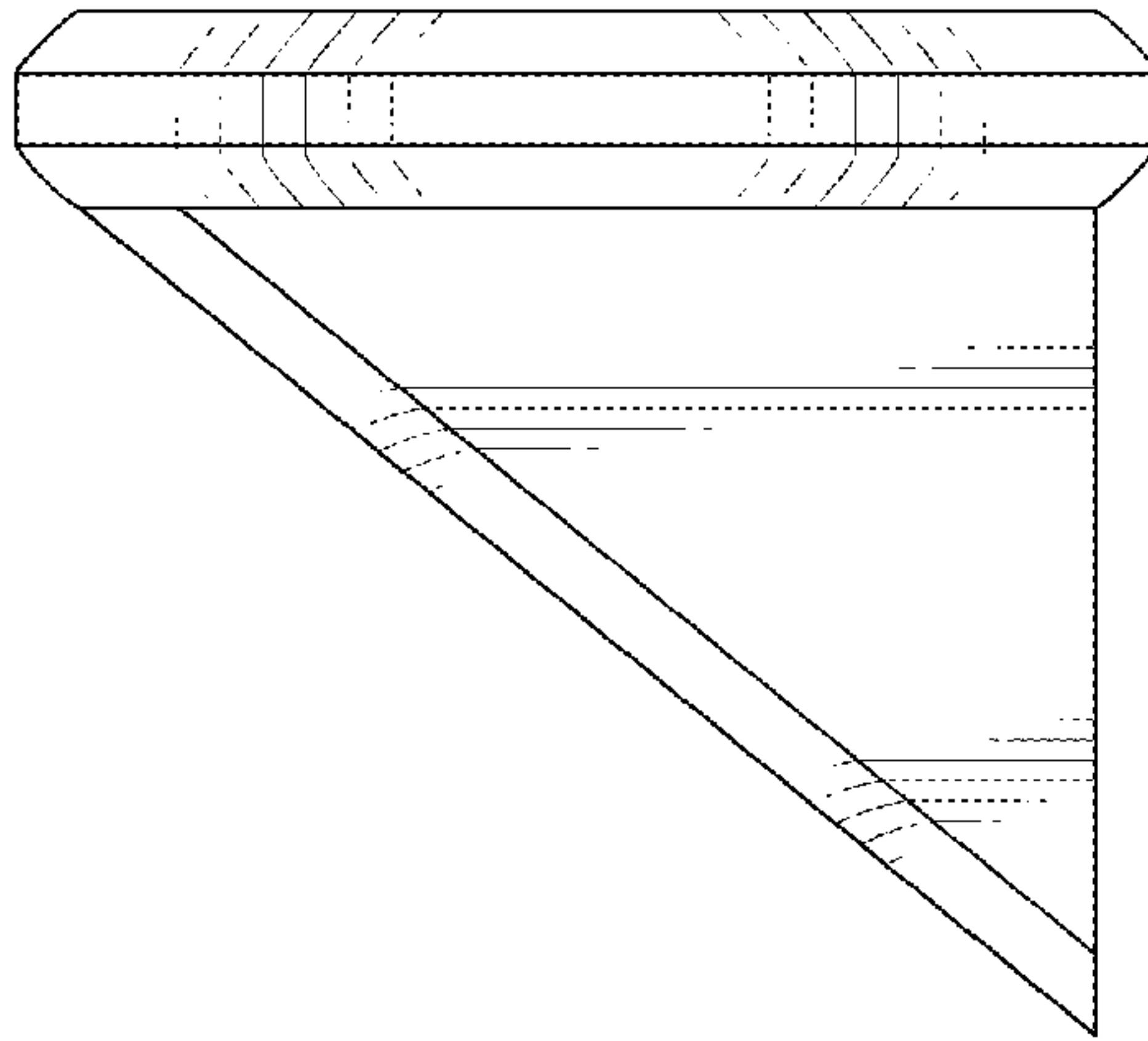


FIG. 8

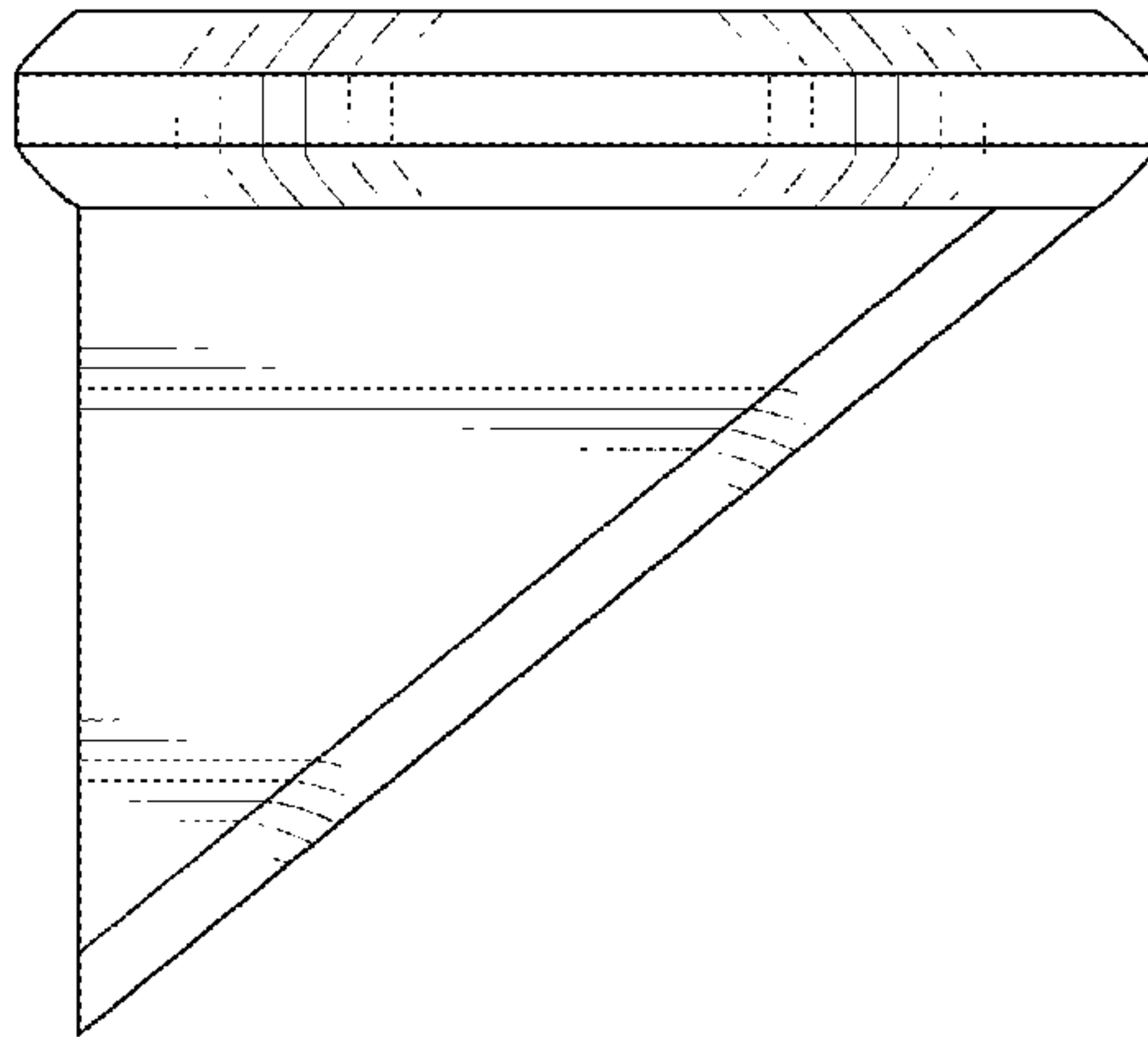


FIG. 9