



US00D991120S

(12) **United States Design Patent** (10) **Patent No.:** **US D991,120 S**
Duncan et al. (45) **Date of Patent:** **** Jul. 4, 2023**

(54) **HOOD SIDE PANEL**

(71) Applicant: **PACCAR Inc**, Bellevue, WA (US)
(72) Inventors: **Jonathan S. Duncan**, Seattle, WA (US); **Steven H. Hovind**, Renton, WA (US); **Scott D. Hite**, Pilot Point, TX (US); **Brent Johnson**, Denton, TX (US); **Tu H. Do**, Lewisville, TX (US); **Troy R. McCuller**, Corinth, TX (US)
(73) Assignee: **PACCAR Inc**, Bellevue, WA (US)

(**) Term: **15 Years**
(21) Appl. No.: **29/733,098**
(22) Filed: **Apr. 29, 2020**

Related U.S. Application Data

(63) Continuation of application No. 29/630,166, filed on Dec. 19, 2017, now Pat. No. Des. 885,281.
(51) **LOC (14) Cl.** **12-16**
(52) **U.S. Cl.**
USPC **D12/196**
(58) **Field of Classification Search**
USPC D12/14, 82, 86, 87, 89, 90, 91, 92, 93, D12/96, 97, 98, 99, 163, 164, 167, 169, D12/170, 171, 172, 173, 181, 184, 185, D12/190, 192, 196; D21/533, 548, 552, D21/561
CPC B62D 25/02; B62D 25/08; B62D 25/10; B62D 25/105; B62D 25/12; B62D 25/16; B62D 25/161; B62D 25/168; B62D 25/18;

(Continued)

(56) **References Cited**

U.S. PATENT DOCUMENTS

D50,345 S 2/1917 Green
D50,346 S 2/1917 Green
D366,638 S 1/1996 Tucker et al.

(Continued)

OTHER PUBLICATIONS

Kenworth T880, Published date unavailable [online], [retrieved on Nov. 3, 2022]. Retrieved from the Internet: <https://www.kenworth.com/trucks/t880/#> (Year: 2022).*

(Continued)

Primary Examiner — Cary M Robinson
Assistant Examiner — Adam C Mager
(74) *Attorney, Agent, or Firm* — Seed IP Law Group LLP

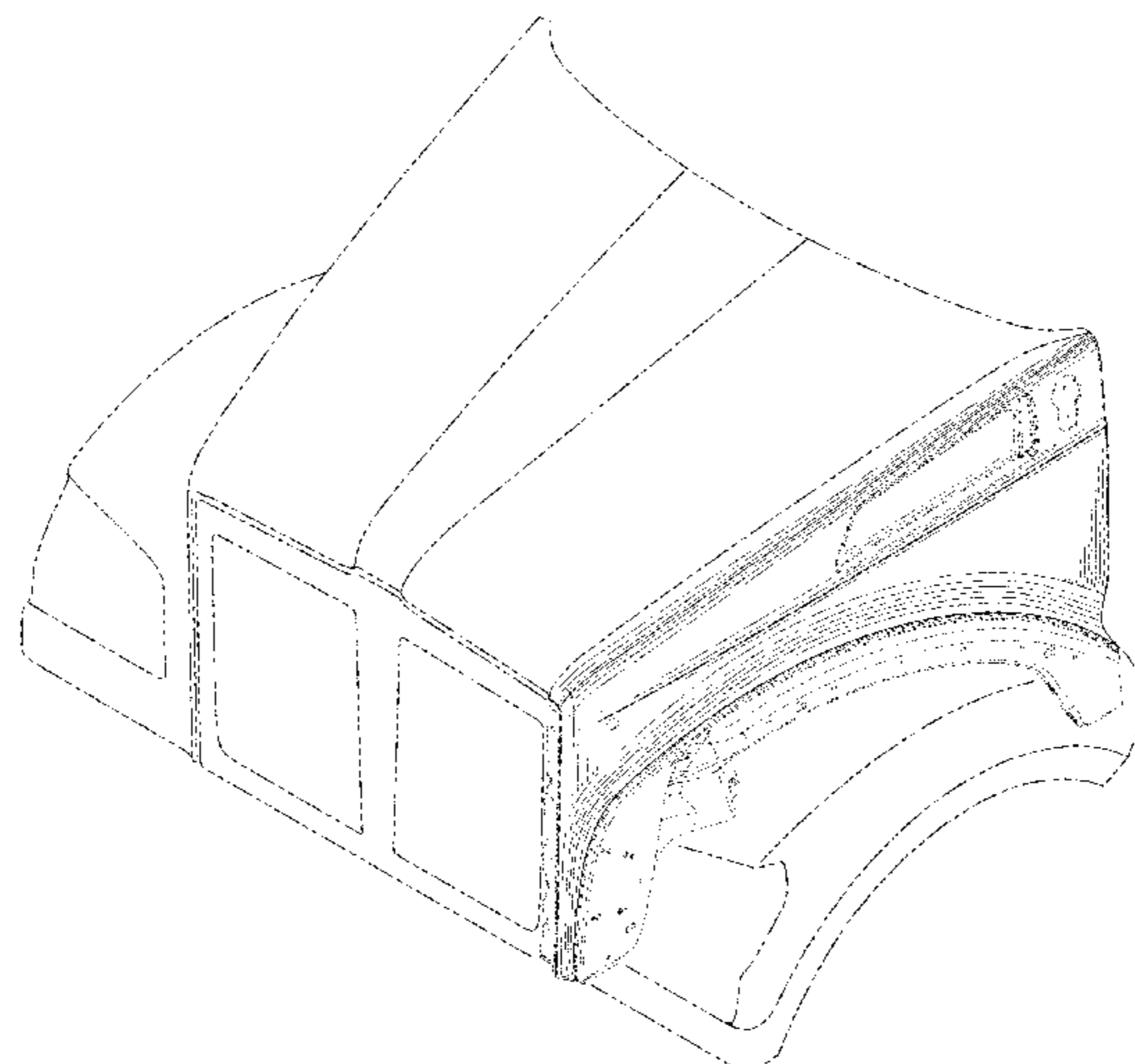
(57) **CLAIM**

The ornamental design for a hood side panel, as shown and described.

DESCRIPTION

FIG. 1 is a perspective view of a hood side panel showing the first embodiment of our new design with environmental structure;
FIG. 2 is a perspective view of the hood side panel;
FIG. 3 is a right side view thereof;
FIG. 4 is a front view thereof;
FIG. 5 is a rear view thereof;
FIG. 6 is a top view thereof;
FIG. 7 is a perspective view of a hood side panel showing the second embodiment of our new design with environmental structure being a mirror image of the first embodiment;
FIG. 8 is a perspective view of the hood side panel;
FIG. 9 is a left side view thereof;
FIG. 10 is a front view thereof;
FIG. 11 is a rear view thereof; and,
FIG. 12 is a top view thereof.
The broken lines shown in the drawings illustrate portions of the hood side panel that form no part of the claimed design. The dash dash long-dash lines shown in the drawings illustrate environmental structure and forms no part of the claimed design.

1 Claim, 10 Drawing Sheets



(58) **Field of Classification Search**
 CPC B62D 25/182; B62D 25/184; B60R 13/04;
 B60R 13/0861; B60R 19/00
 See application file for complete search history.

(56) **References Cited**

U.S. PATENT DOCUMENTS

D366,640 S 1/1996 Tucker et al.
 D378,812 S 4/1997 Aycock
 D382,239 S 8/1997 Logan et al.
 D382,841 S 8/1997 Norwood et al.
 D382,844 S 8/1997 Norwood et al.
 D395,860 S 7/1998 Meryman et al.
 D401,198 S 11/1998 Mueller et al.
 D403,636 S 1/1999 Meryman et al.
 D403,639 S 1/1999 Gale et al.
 D411,494 S 6/1999 Meryman et al.
 D412,689 S 8/1999 Onopa
 D422,251 S 4/2000 Bader et al.
 D431,806 S 10/2000 Damon et al.
 D433,980 S 11/2000 Conway et al.
 D434,358 S 11/2000 Conway et al.
 D435,816 S 1/2001 Delashaw et al.
 D436,563 S 1/2001 Delashaw et al.
 D443,853 S 6/2001 Barraclough et al.
 D446,175 S 8/2001 Hoyle, Jr.
 D450,277 S 11/2001 Onopa
 D460,023 S 7/2002 Beigel
 D465,749 S 11/2002 Beigel
 D466,450 S 12/2002 Maher et al.
 D478,300 S 8/2003 Chiang
 D482,993 S 12/2003 Conway et al.
 D484,077 S 12/2003 Conway et al.
 D488,112 S 4/2004 Satou
 D490,749 S 6/2004 Satou et al.
 D491,858 S 6/2004 Velazco
 D492,921 S 7/2004 Perfetti et al.
 D494,900 S 8/2004 Satou
 D495,633 S 9/2004 Chiang
 D497,581 S 10/2004 Conway et al.
 D502,901 S 3/2005 Delashaw et al.
 D502,904 S 3/2005 Delashaw et al.
 D504,642 S 5/2005 Perfetti et al.
 D511,727 S 11/2005 Shaw et al.
 D512,666 S 12/2005 Chiang
 D514,483 S 2/2006 Chiang
 D517,965 S 3/2006 Metros et al.
 D518,761 S 4/2006 Chiang
 D523,793 S 6/2006 Beigel et al.
 D524,204 S 7/2006 Beigel
 D531,947 S 11/2006 Angelo et al.
 D532,350 S 11/2006 Angelo et al.
 D532,352 S * 11/2006 Angelo D12/184
 D540,725 S 4/2007 Gunter et al.
 D540,727 S 4/2007 Elliott et al.
 D545,250 S 6/2007 Angelo et al.
 D545,251 S 6/2007 Angelo et al.
 D545,254 S 6/2007 Angelo et al.
 D545,255 S 6/2007 Angelo et al.
 D560,575 S 1/2008 Simons et al.
 D560,582 S 1/2008 Simons et al.
 D560,583 S 1/2008 Simons et al.
 D563,281 S 3/2008 Simons et al.
 D563,849 S 3/2008 Medina et al.
 D563,850 S 3/2008 Rosen et al.
 D563,851 S 3/2008 Rosen et al.
 D563,852 S 3/2008 Rosen et al.
 D563,853 S 3/2008 Rosen et al.
 D564,427 S 3/2008 Beigel et al.
 D566,635 S 4/2008 Rosen et al.
 D571,696 S 6/2008 Rosen et al.
 D578,453 S 10/2008 Raghavendran et al.
 D588,512 S 3/2009 Raghavendran et al.
 D592,574 S 5/2009 Larson
 D597,003 S 7/2009 Yamazaki et al.
 D605,986 S 12/2009 Raghavendran et al.

D619,941 S 7/2010 Krauss
 D621,754 S 8/2010 Angelo et al.
 D622,188 S 8/2010 Angelo et al.
 D632,234 S 2/2011 Peltola et al.
 D643,352 S 8/2011 Hjorten et al.
 D647,016 S 10/2011 Medina et al.
 D647,832 S 11/2011 Medina et al.
 D654,401 S 2/2012 Peltola et al.
 D654,417 S * 2/2012 Peltola D12/96
 D685,294 S 7/2013 Hanson et al.
 D686,122 S 7/2013 Peltola et al.
 D690,242 S 9/2013 Conway et al.
 D690,632 S 10/2013 Peltola et al.
 D699,650 S 2/2014 Peltola et al.
 D699,651 S 2/2014 Peltola et al.
 D702,609 S 4/2014 Hovind et al.
 D702,615 S 4/2014 Conway et al.
 D706,690 S * 6/2014 Peltola D12/184
 D707,160 S 6/2014 Peltola et al.
 D707,161 S 6/2014 Peltola et al.
 D707,163 S * 6/2014 Peltola D12/184
 D708,104 S 7/2014 Conway et al.
 D708,553 S 7/2014 Conway et al.
 D708,985 S 7/2014 Peltola et al.
 D708,986 S 7/2014 Conway et al.
 D708,989 S 7/2014 Peltola et al.
 D708,990 S 7/2014 Conway et al.
 D708,999 S 7/2014 Conway et al.
 D709,000 S 7/2014 Peltola et al.
 D709,001 S 7/2014 Conway et al.
 D709,406 S 7/2014 Conway et al.
 D709,407 S 7/2014 Conway et al.
 D709,408 S 7/2014 Peltola et al.
 D709,410 S 7/2014 Conway et al.
 D709,411 S 7/2014 Peltola et al.
 D709,421 S 7/2014 Conway et al.
 D709,422 S * 7/2014 Peltola D12/196
 D709,423 S * 7/2014 Peltola D12/196
 D709,424 S 7/2014 Conway et al.
 D709,425 S * 7/2014 Conway D12/196
 D710,765 S 8/2014 Conway et al.
 D714,195 S 9/2014 Conway et al.
 D722,934 S 2/2015 Conway et al.
 D729,709 S 5/2015 Conway et al.
 D746,200 S 12/2015 Leetz
 D756,855 S 5/2016 Leetz et al.
 D770,335 S 11/2016 Walterscheid et al.
 D782,381 S 3/2017 Conway et al.
 D805,981 S * 12/2017 Conway D12/196
 D863,172 S * 10/2019 Duncan D12/196
 D885,281 S * 5/2020 Duncan D12/196
 D915,263 S * 4/2021 Duncan D12/196
 D925,425 S * 7/2021 Duncan D12/196
 2013/0025954 A1 1/2013 Miller et al.

OTHER PUBLICATIONS

“AeroCab,” Kenworth Truck Company, Kirkland, Washington, 1993, 5-page brochure.
 “AeroCab,” Kenworth Truck Company, Kirkland, Washington, as early as 1995, 3-page brochure.
 “C500B,” Kenworth Truck Company, Kirkland, Washington, as early as 1990, 4-page brochure.
 “Class Pays, Medium Duty,” Peterbilt Motors Company, Denton, Texas, Sep. 2000, 12-page brochure.
 “Class Pays, Truck Models,” Peterbilt Motors Company, Denton, Texas, Mar. 2005, 24-page brochure.
 “Class Pays,” Peterbilt Motors Company, Denton, Texas, Nov. 1998, 10-page brochure.
 “Class Pays,” Peterbilt Motors Company, Denton, Texas, Sep. 1998, 10-page brochure.
 “Class Pays, Construction Trucks,” Peterbilt Motors Company, Denton, Texas, Nov. 2003, 16-page brochure.
 “Kenworth Truck Models,” Kenworth Truck Company, Kirkland, Washington, 2010, 16-page brochure.
 “Model 330,” Peterbilt Motors Company, Denton, Texas, Oct. 1997, 3-page brochure.

(56)

References Cited

OTHER PUBLICATIONS

- “Model 357 Heavy Haul,” Peterbilt Motors Company, Denton, Texas, Mar. 2005, 2-page brochure.
- “Model 357 Standard Specifications,” Peterbilt Motors Company, Newark, California, Sep. 1986, 6-page brochure.
- “Model 357, New Stopped Hood,” Peterbilt Motors Company, Denton, Texas, May 2002, 2-page brochure.
- “Model 357,” Peterbilt Motors Company, Denton, Texas, May 1994, 3-page brochure.
- “Model 357-115,” Peterbilt Motors Company, Denton, Texas, Mar. 2005, 2-page brochure.
- “Model 375 Standard Specifications,” Peterbilt Motors Company, Newark, California, Sep. 1986, 6-page.
- “Model 377A/E,” Peterbilt Motors Company, Denton, Texas, Aug. 1997, 2-page brochure.
- “Model 377A/E,” Peterbilt Motors Company, Denton, Texas, Jan. 1995, 6-page brochure.
- “Model 378,” Peterbilt Motors Company, Denton, Texas, Mar. 1998, 3-page brochure.
- “Model 379,” Peterbilt Motors Company, Denton, Texas, Apr. 2005, 2-page brochure.
- “Model 379,” Peterbilt Motors Company, Denton, Texas, Mar. 1996, 5-page brochure.
- “Model 385,” Peterbilt Motors Company, Denton, Texas, Oct. 1996, 5-page brochure.
- “Model 387,” Peterbilt Motors Company, Denton, Texas, Oct. 2002, 2-page brochure.
- “Rest with Class,” Peterbilt Motors Company, Newark, California, Apr. 1978, 4-page brochure.
- “T170 Class 5,” Kenworth Truck Company, Kirkland, Washington, 2008, 4-page brochure.
- “T2000,” Kenworth Truck Company, Kirkland, Washington, 1999, 20-page brochure.
- “T2000,” Kenworth Truck Company, Kirkland, Washington, 2002, 20-page brochure.
- “T2000,” Kenworth Truck Company, Kirkland, Washington, 2005, 20-page brochure.
- “T270 Class 6 and T370 Class 7,” Kenworth Truck Company, Kirkland, Washington, 2008, 6-page brochure.
- “T270 Class 6 and T370 Class 7,” Kenworth Truck Company, Kirkland, Washington, 2009, 6-page brochure.
- “T270 Class 6 and T370 class 7 Hybrid,” Kenworth Truck Company, Kirkland, Washington, 2009, 6-page brochure.
- “T300,” Kenworth Truck Company, Kirkland, Washington, 1994, 4-page brochure.
- “T300,” Kenworth Truck Company, Kirkland, Washington, 2001, 16-page brochure.
- “T300,” Kenworth Truck Company, Kirkland, Washington, 2005, 16-page brochure.
- “T680,” Kenworth Truck Company, Kirkland, Washington, 2013, 34-page brochure.
- “T680,” Kenworth Truck Company, Kirkland, Washington, 2016, 34-page brochure.
- “T880,” Kenworth Truck Company, Kirkland, Washington, 2017, 32-page brochure.
- “Model 579,” Peterbilt Motors Company, Denton, Texas, 2013, 13-page brochure.
- “Model 587,” Peterbilt Motors Company, Denton, Texas, 2011, 4-page brochure.
- “Medium-Duty,” Peterbilt Motors Company, Denton, Texas, 2013, 9-page brochure.
- “On-Highway,” Peterbilt Motors Company, Denton, Texas, 2013, 13-page brochure.
- “Vocational,” Peterbilt Motors Company, Denton, Texas, 2013, 11-page brochure.
- “T440,” Kenworth Truck Company, Kirkland, Washington, 2010, 2-page brochure.
- “T440,” Kenworth Truck Company, Kirkland, Washington, 2010, 6-page brochure.
- “T470,” Kenworth Truck Company, Kirkland, Washington, 2010, 6-page brochure.
- “T470H,” Kenworth Truck Company, Kirkland, Washington, 2009, 2-page brochure.
- “T600,” Kenworth Truck Company, Kirkland, Washington, 1996, 7-page brochure.
- “T600,” Kenworth Truck Company, Kirkland, Washington, 2002, 28-page brochure.
- “T600,” Kenworth Truck Company, Kirkland, Washington, 2005, 24-page brochure.
- “T600A,” Kenworth Truck Company, Kirkland, Washington, 1985, 10-page brochure.
- “T660,” Kenworth Truck Company, Kirkland, Washington, 2007, 36-page brochure.
- “T660,” Kenworth Truck Company, Kirkland, Washington, 2009, 36-page brochure.
- “T700,” Kenworth Truck Company, Kirkland, Washington, 2010, 6-page brochure.
- “T800,” Kenworth Truck Company, Kirkland, Washington, 1996, 7-page brochure.
- “T800,” Kenworth Truck Company, Kirkland, Washington, 2002, 32-page brochure.
- “T800,” Kenworth Truck Company, Kirkland, Washington, 2003, 32-page brochure.
- “T800,” Kenworth Truck Company, Kirkland, Washington, 2005, 28-page brochure.
- “T800,” Kenworth Truck Company, Kirkland, Washington, 2009, 28-page brochure.
- “T800B,” Kenworth Truck Company, Kirkland, Washington, 1993, 8-page brochure.
- “The Working Class,” Peterbilt Motors Company, Newark, California, Sep. 1976, 6-page brochure.
- “The World’s Best,” Kenworth Truck Company, Kirkland, Washington, 1992, 12-page brochure.
- “Unbilt™ Cab Sleeper System,” Peterbilt Motors Company, Denton Texas, Aug. 1994, 6-page brochure.
- “W900,” Kenworth Truck Company, Kirkland, Washington, 1996, 7-page brochure.
- “W900,” Kenworth Truck Company, Kirkland, Washington, 2002, 32-page brochure.
- “W900,” Kenworth Truck Company, Kirkland, Washington, 2005, 28-page brochure.
- “W900,” Kenworth Truck Company, Kirkland, Washington, 2009, 28-page brochure.
- “W900L Aero Cab,” Kenworth Truck Company, Kirkland, Washington, 1994, 2-page brochure.

* cited by examiner

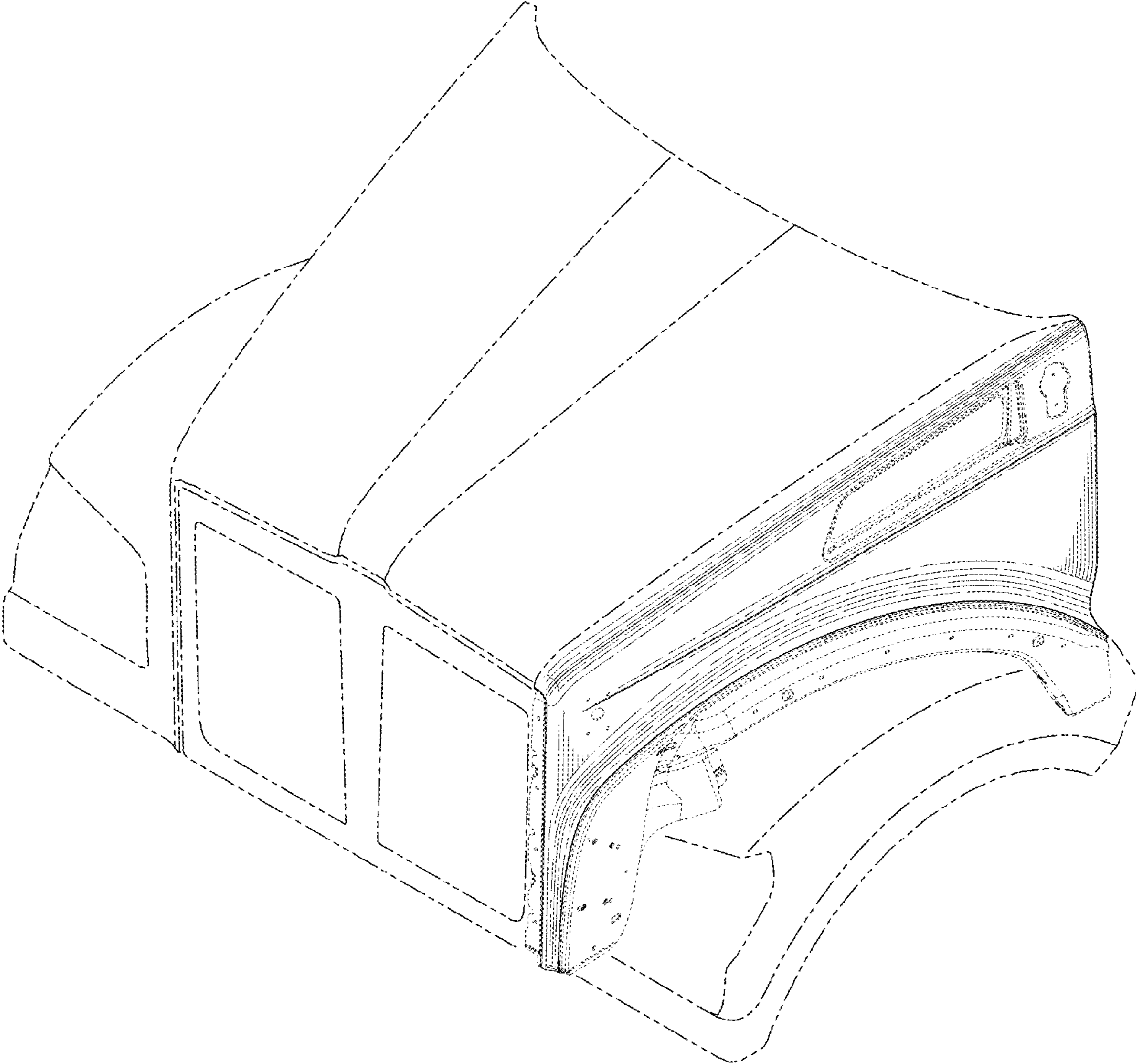


Fig. 1.

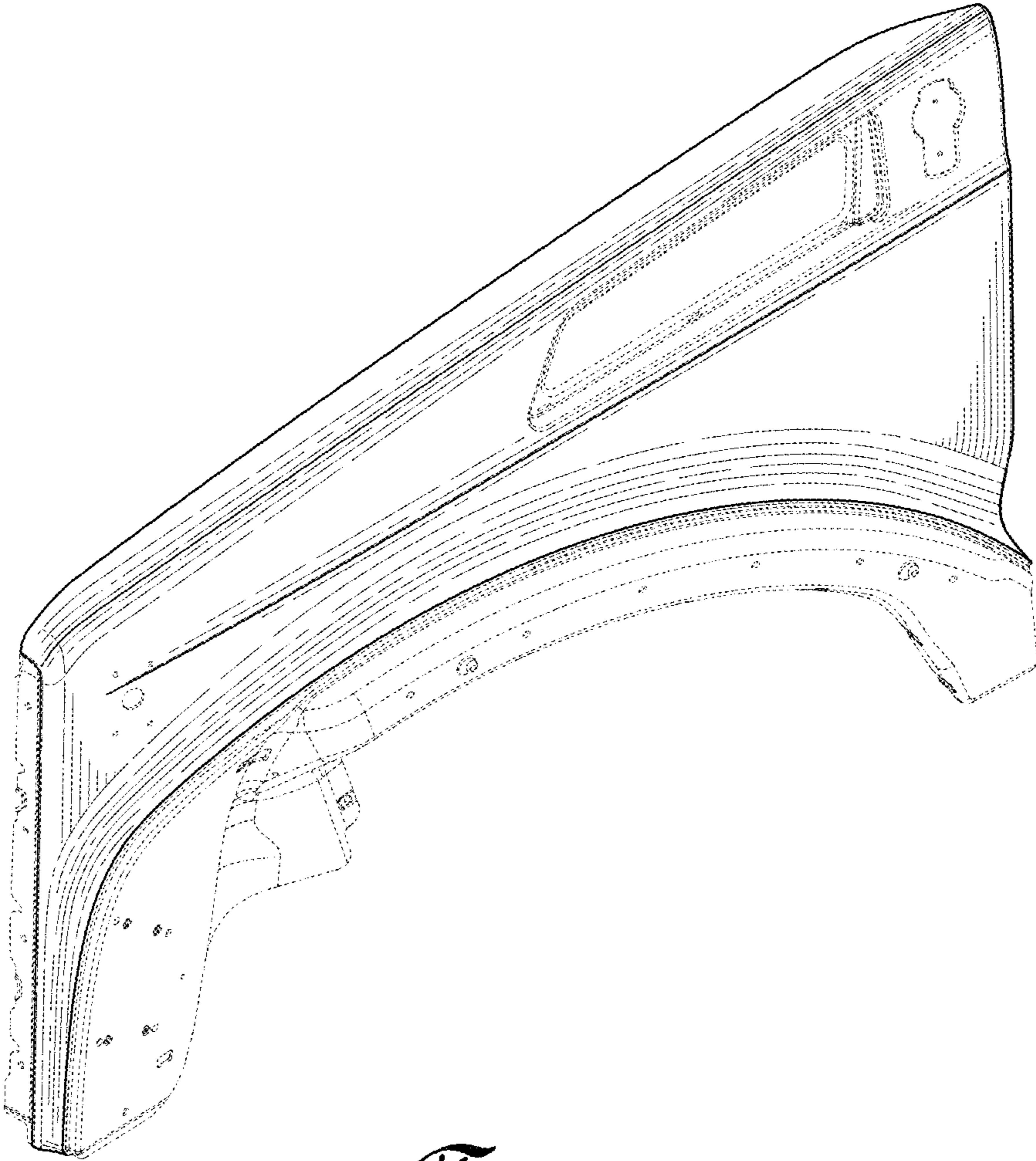


Fig. 2.

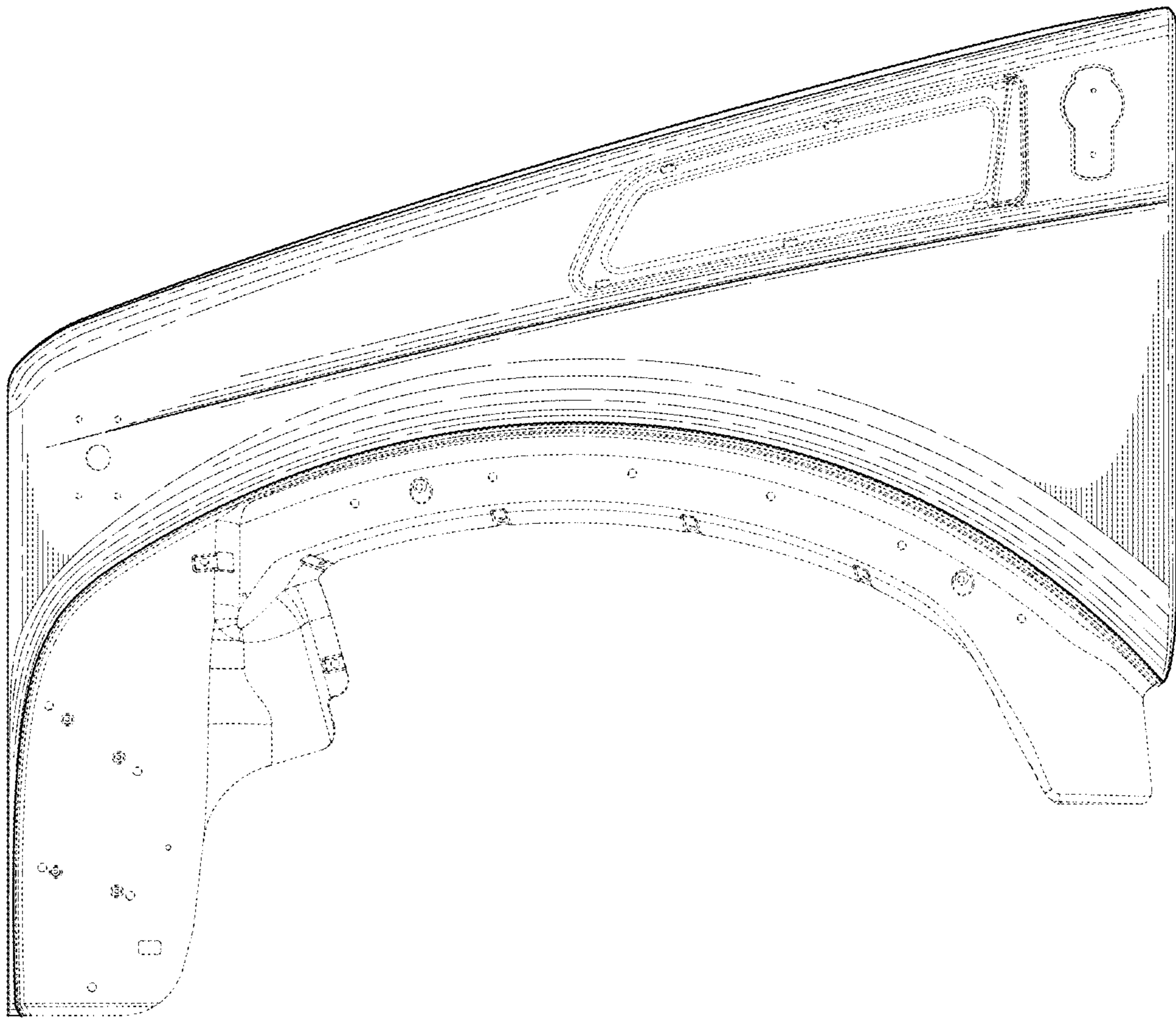


Fig. 3.

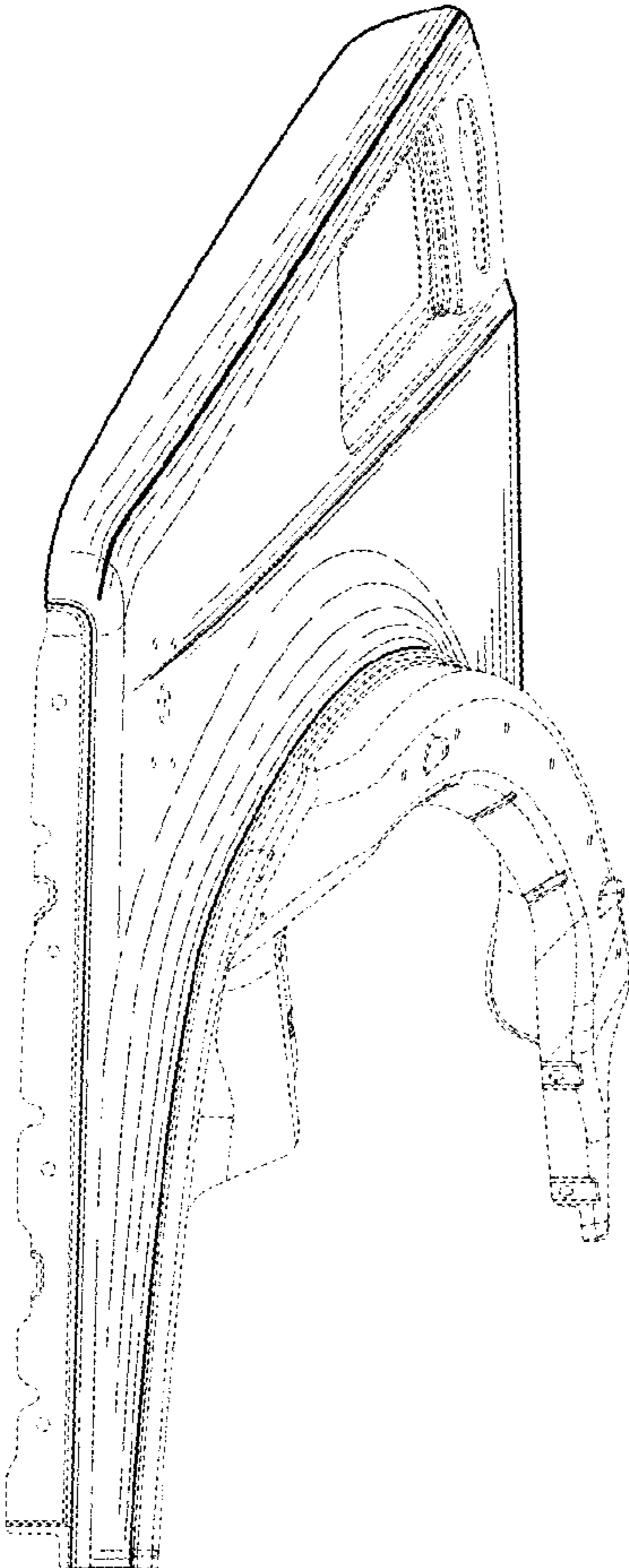


Fig. 4.

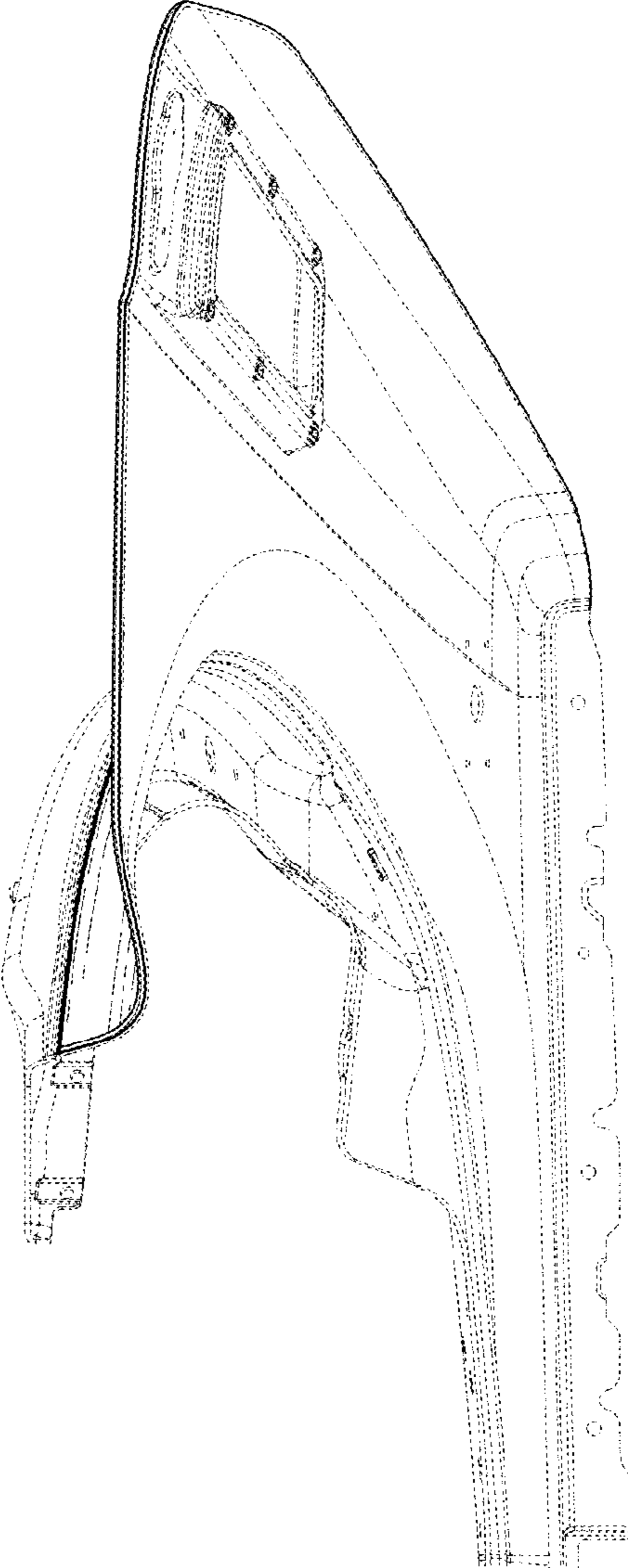


Fig. 5.

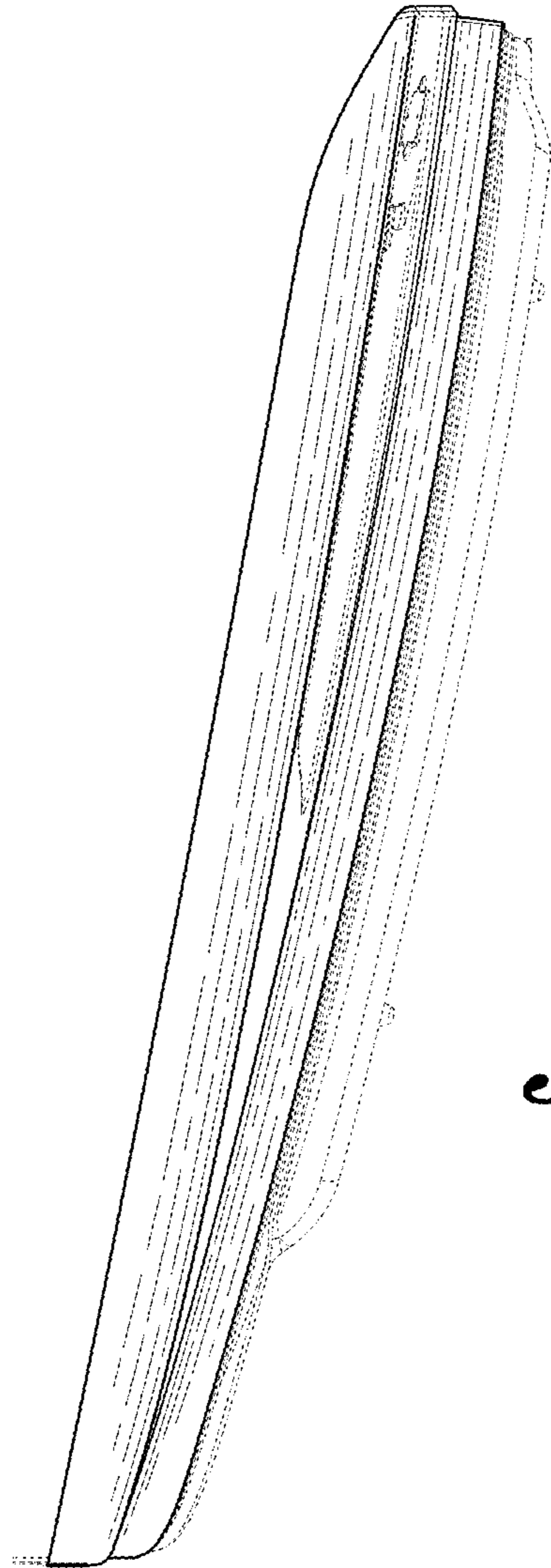


Fig. 6.

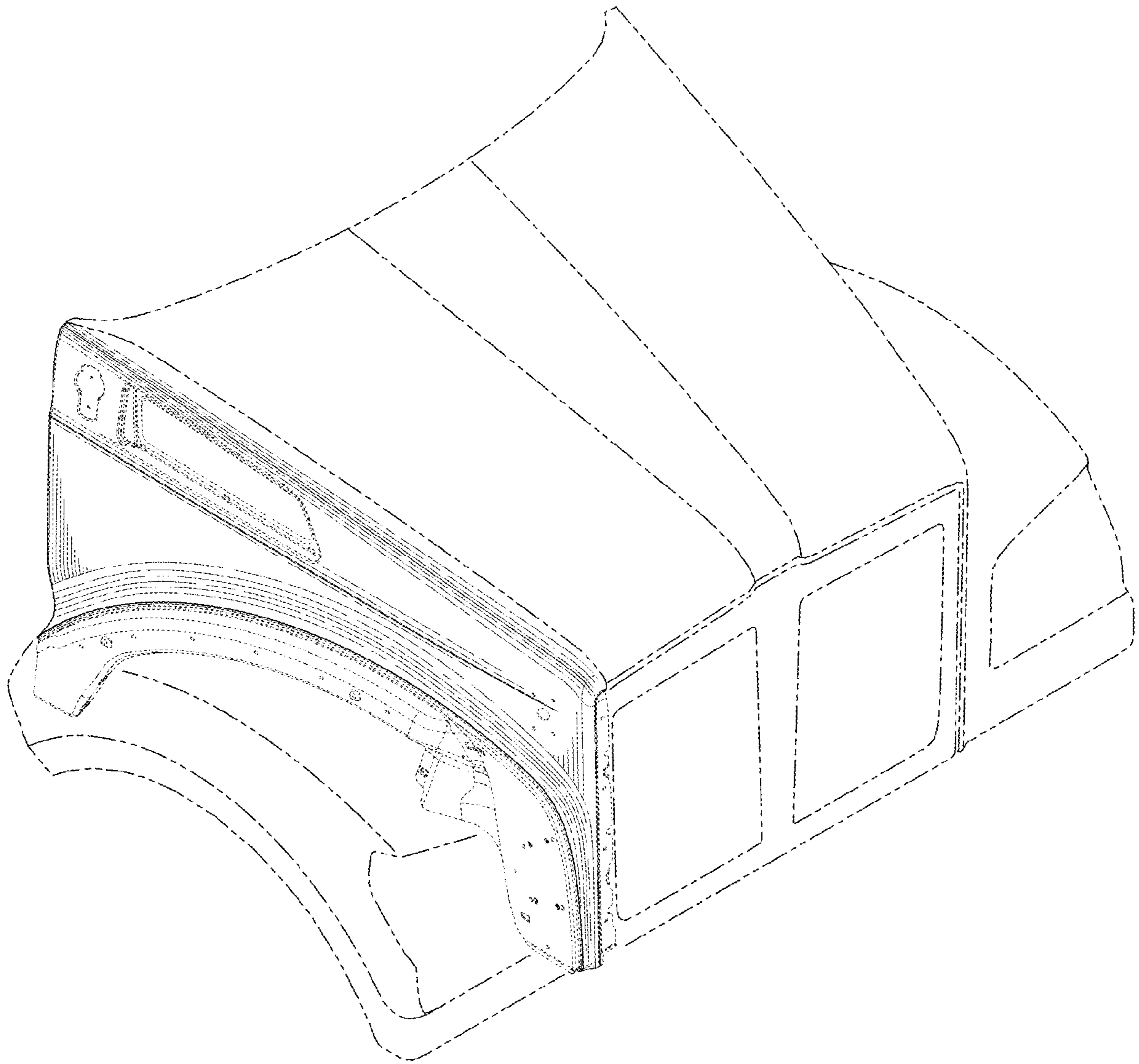


Fig. 7.

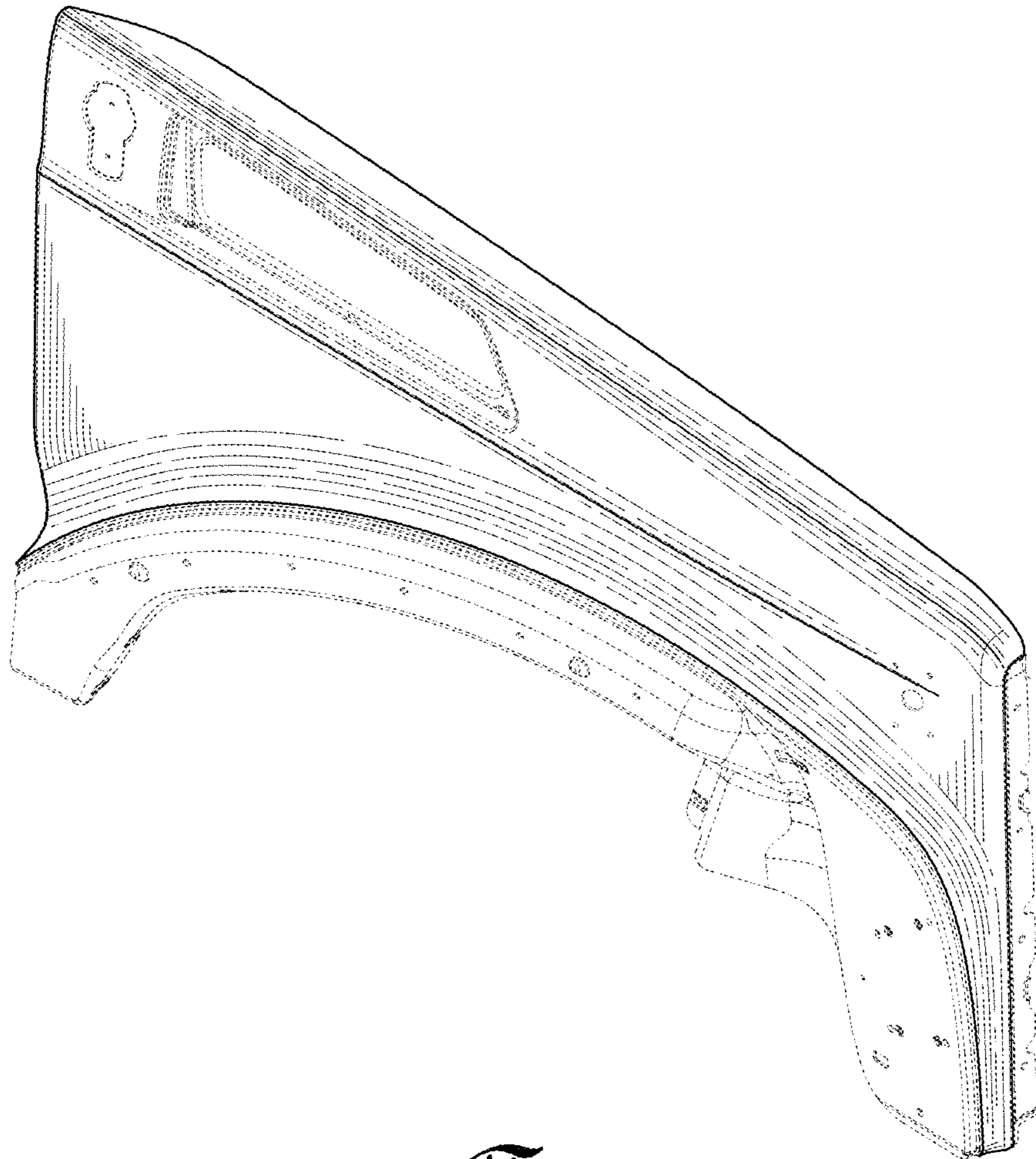


Fig. 8.

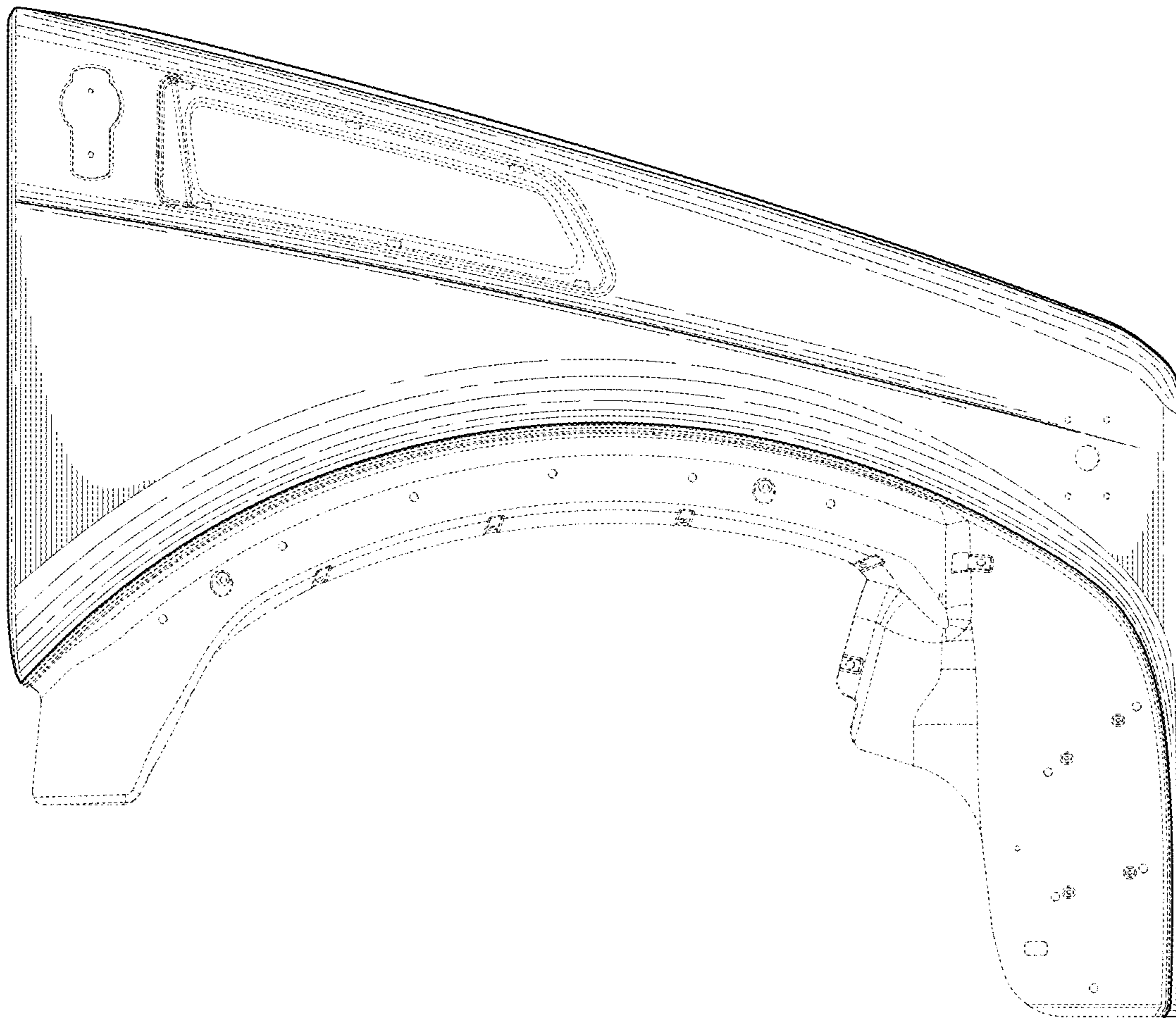


Fig. 9.

Fig. 10.

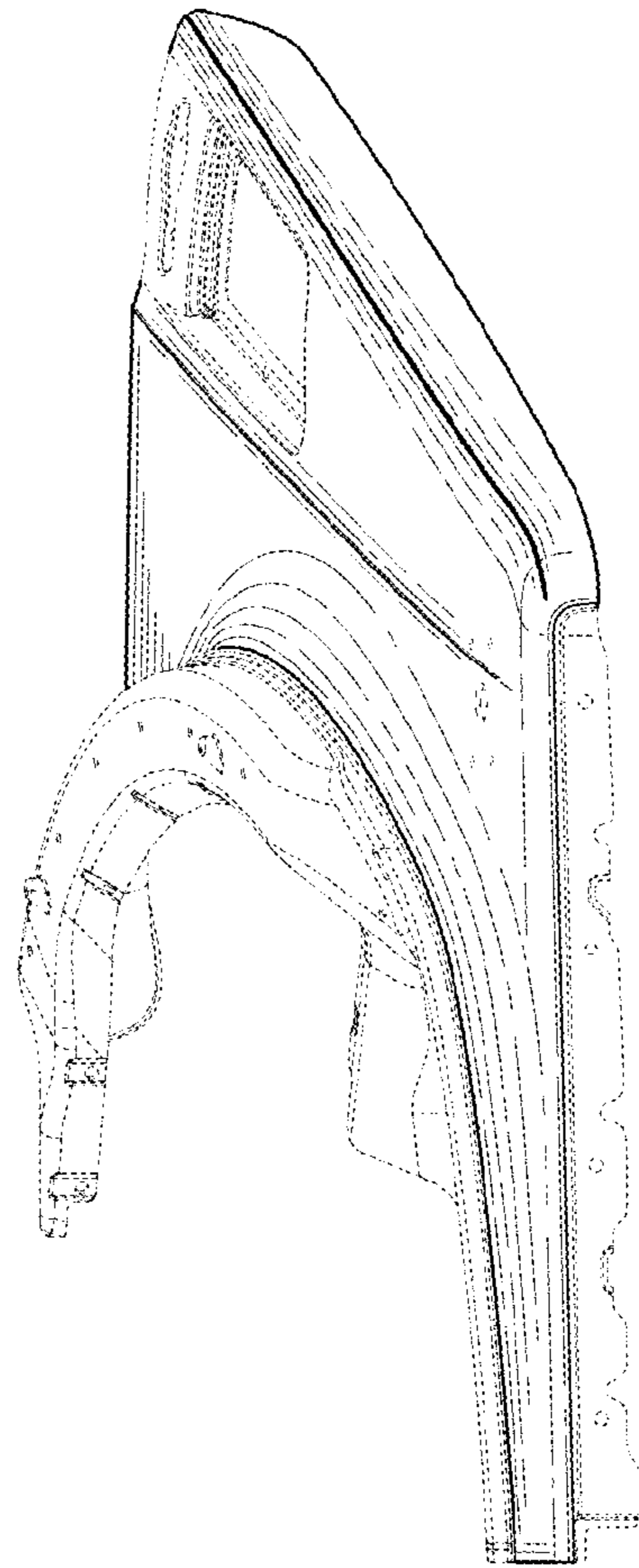
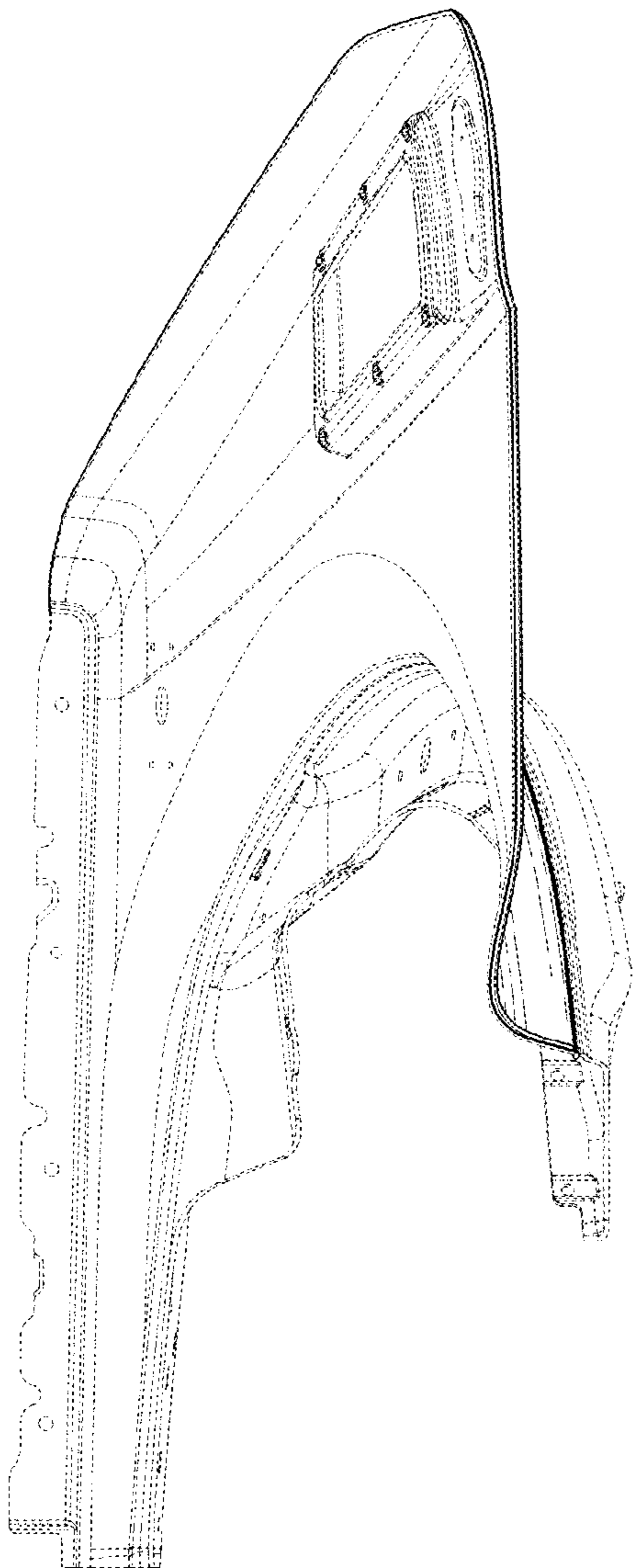


Fig. 11.



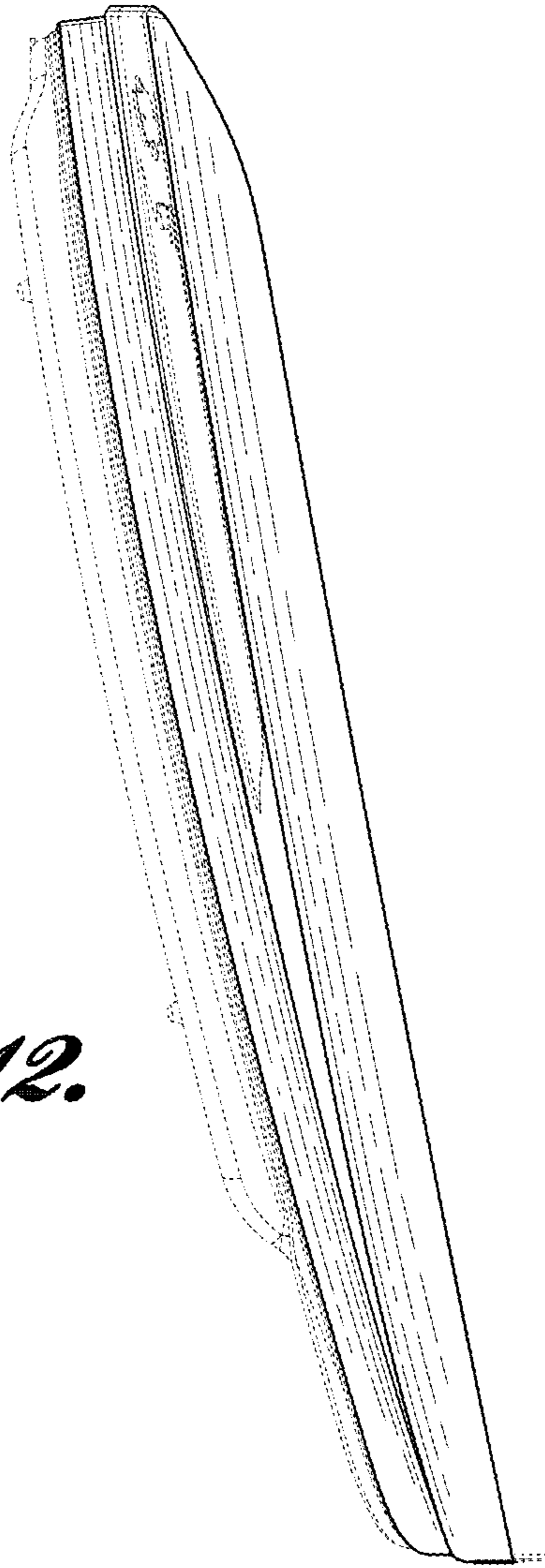


Fig. 12.