

US00D990998S

(12) **United States Design Patent** (10) **Patent No.:** **US D990,998 S**  
**Liu** (45) **Date of Patent:** **\*\* Jul. 4, 2023**

(54) **ELECTRIC BOTTLE OPENER**  
(71) Applicant: **Danping Liu**, Shenzhen (CN)  
(72) Inventor: **Danping Liu**, Shenzhen (CN)  
(\*\*) Term: **15 Years**

(21) Appl. No.: **29/787,370**  
(22) Filed: **Jun. 6, 2021**

(30) **Foreign Application Priority Data**

Jan. 14, 2021 (CN) ..... 202130025881.3

(51) **LOC (14) Cl.** ..... **07-06**  
(52) **U.S. Cl.**  
USPC ..... **D8/42**

(58) **Field of Classification Search**  
USPC ..... D8/36, 42, 33, 40; D9/690, 686, 727,  
D9/549  
CPC ..... B67B 7/06; B67B 7/0441; B67B 7/0405;  
B67B 7/182; B67B 7/164; B67B 7/00;  
B67B 7/02; B67B 7/04; B67B 7/0411;  
B67B 7/0417; B67B 7/0423; B67B  
7/0447

See application file for complete search history.

(56) **References Cited**

**U.S. PATENT DOCUMENTS**

D288,521 S \* 3/1987 Van Asten ..... D8/42  
D312,032 S \* 11/1990 Segato ..... D8/42

5,079,975 A \* 1/1992 Spencer, Jr. .... B67B 7/0405  
81/3.2  
D383,980 S \* 9/1997 Abfier ..... D9/504  
D548,023 S \* 8/2007 Seidenfaden ..... D7/697  
D639,662 S \* 6/2011 Riguzzi ..... D9/504  
D670,985 S \* 11/2012 Tompkin ..... D8/42  
D704,016 S \* 5/2014 Ye ..... D8/43  
D830,143 S \* 10/2018 Knirr ..... D8/42  
D944,612 S \* 3/2022 Brouillac ..... D8/42

\* cited by examiner

*Primary Examiner* — Calvin E Vansant  
*Assistant Examiner* — Benjamin Lucas Gray  
(74) *Attorney, Agent, or Firm* — Cheng-Ju Chiang

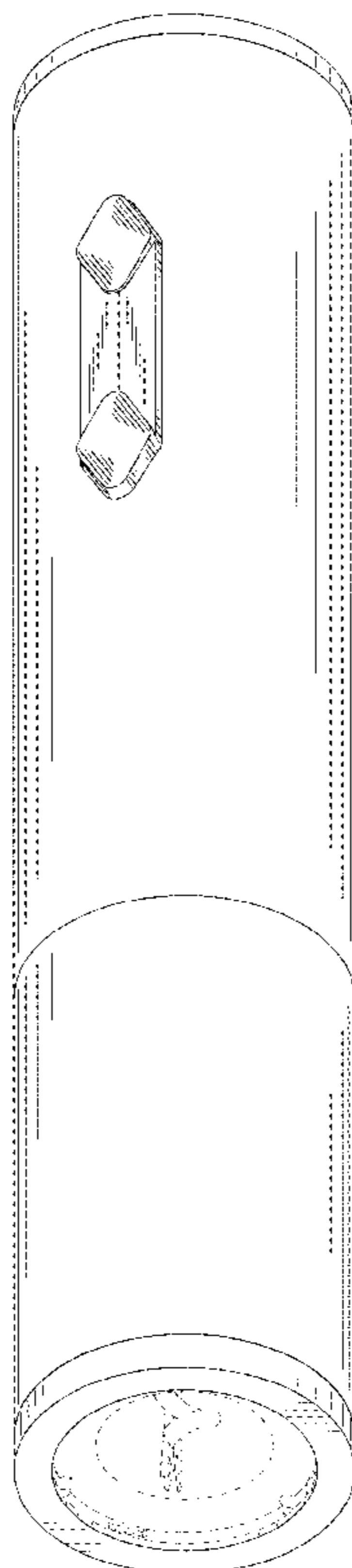
(57) **CLAIM**

The ornamental design for an “electric bottle opener,” as shown and described.

**DESCRIPTION**

FIG. 1 is a front, bottom and right side perspective view of an electric bottle opener showing my new design; FIG. 2 is a front elevational view thereof; FIG. 3 is a rear elevational view thereof; FIG. 4 is a left side elevational view thereof; FIG. 5 is a right side elevational view thereof; FIG. 6 is a top plan view thereof; and, FIG. 7 is a bottom plan view thereof. The broken lines depict portions of the electric bottle opener that are for illustrating the boundary of the design only and do not form part of the claimed design.

**1 Claim, 7 Drawing Sheets**



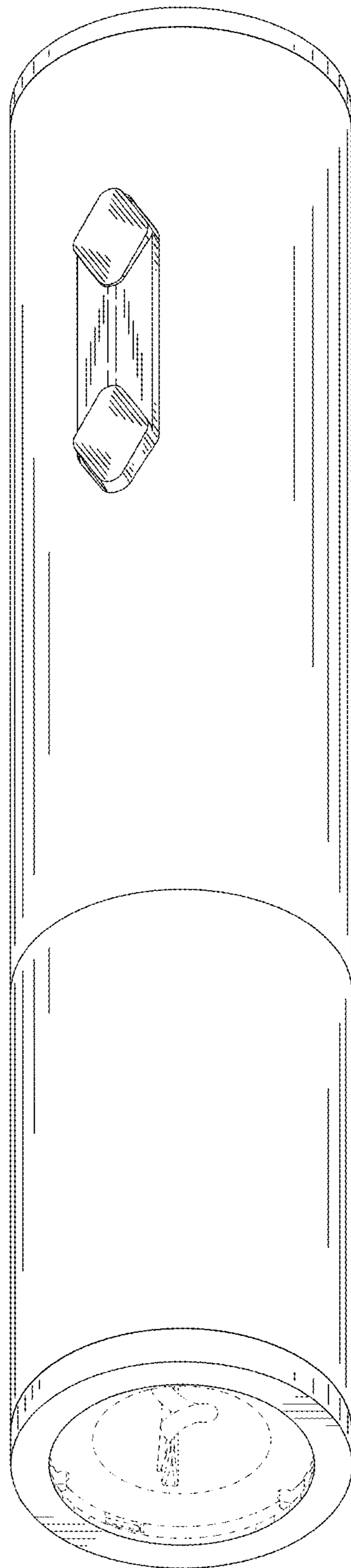


FIG. 1

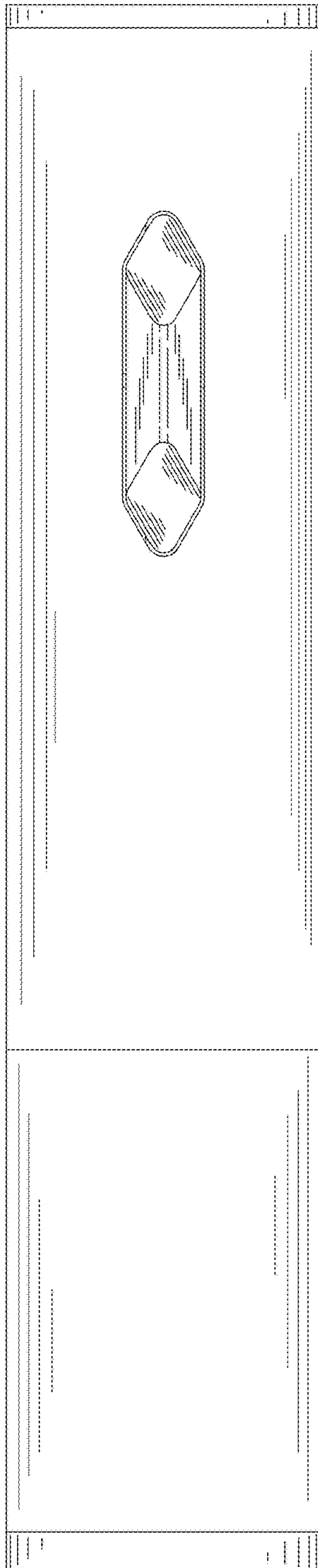


FIG. 2

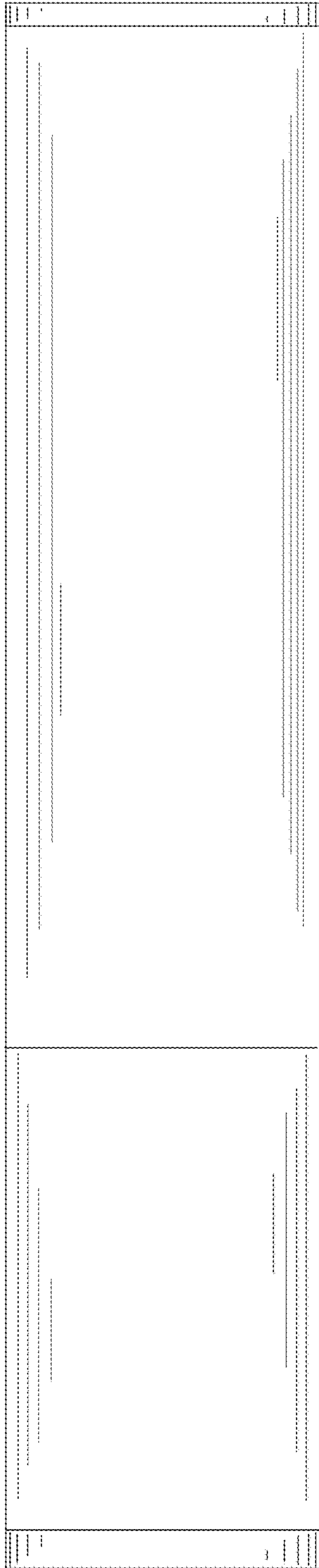


FIG. 3

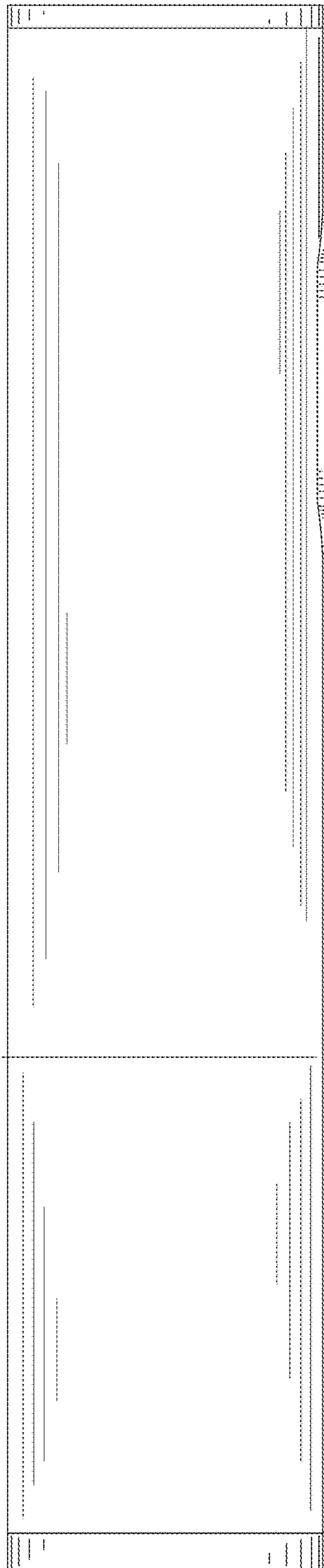


FIG. 4

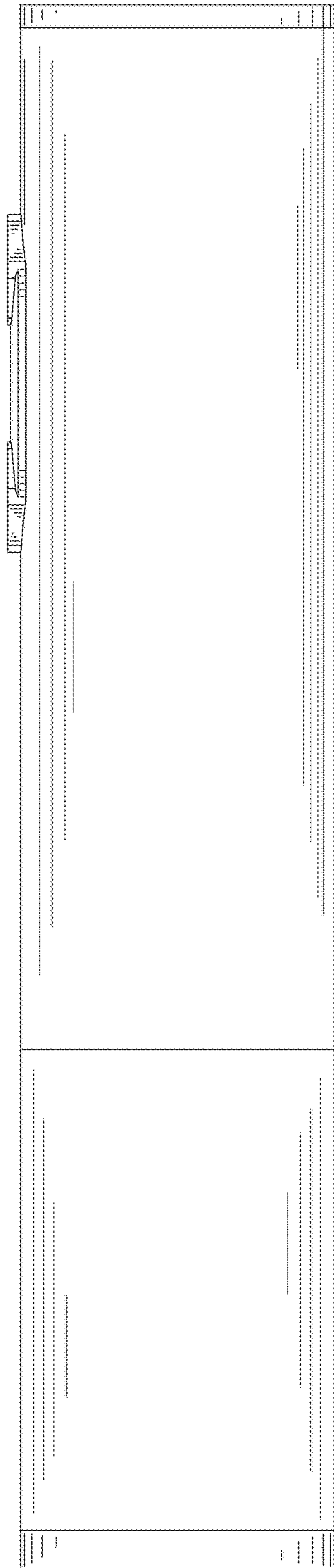


FIG. 5

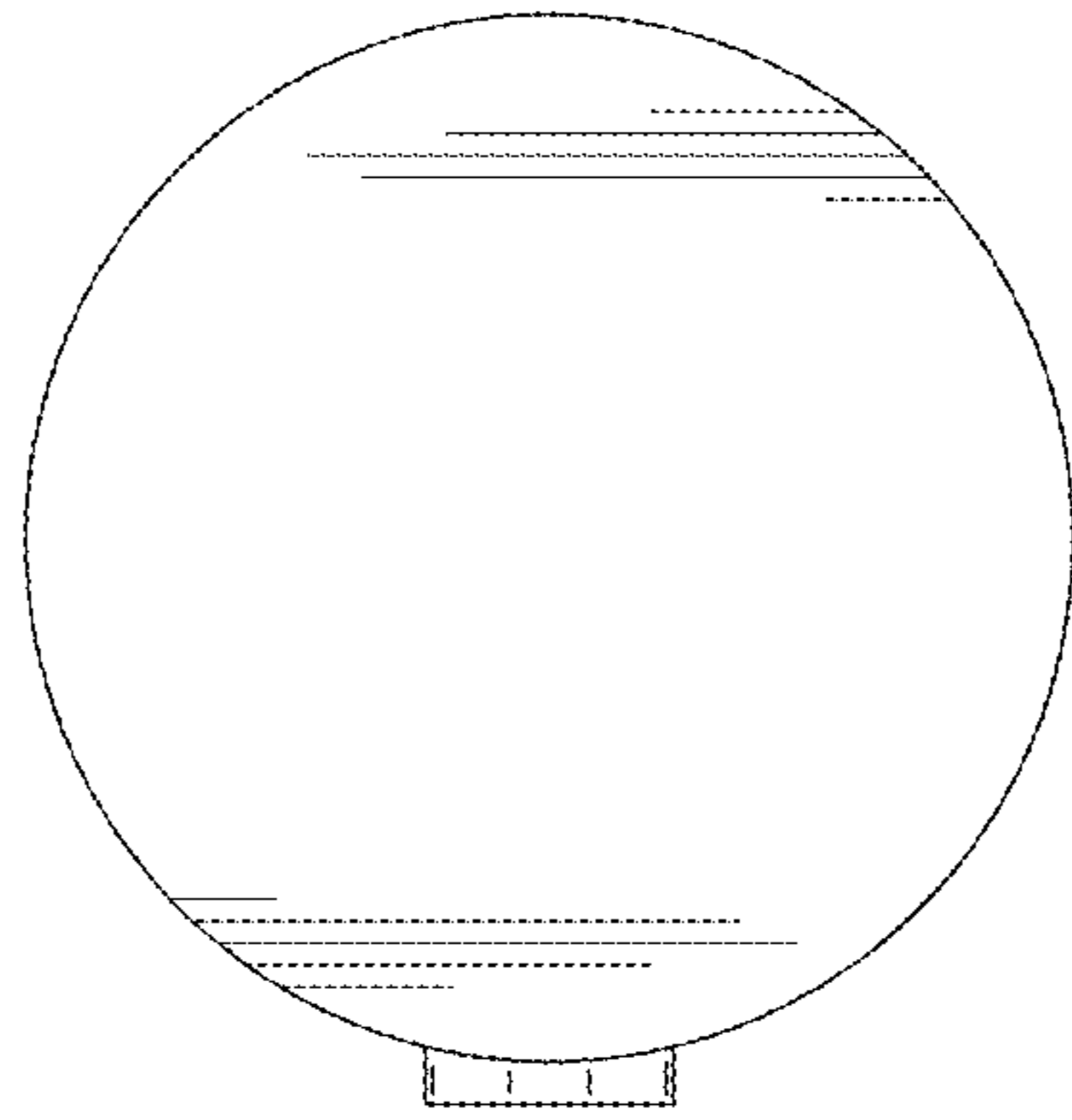


FIG. 6

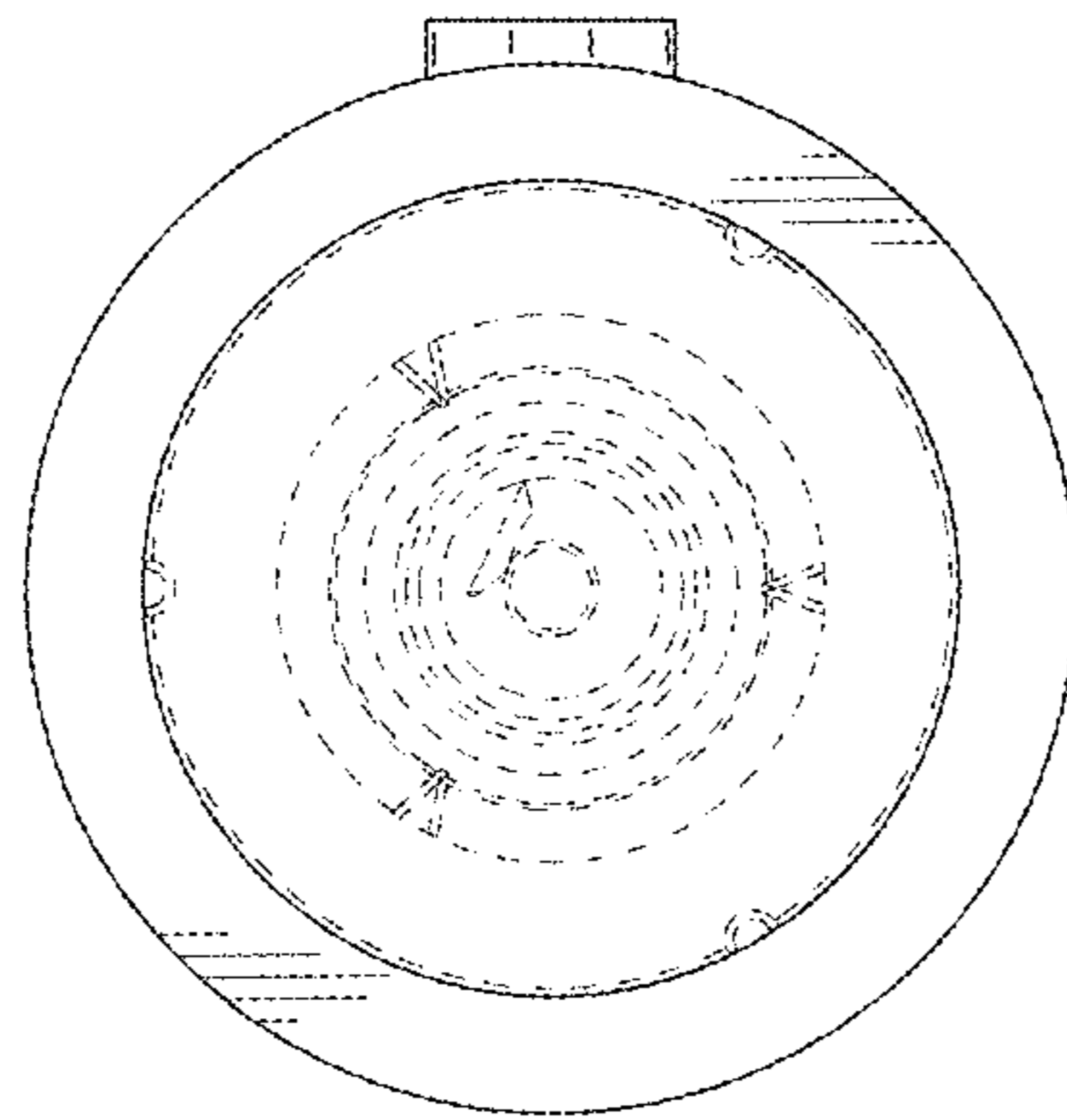


FIG. 7