

US00D990723S

(12) **United States Design Patent** (10) **Patent No.:** **US D990,723 S**
Zhao (45) **Date of Patent:** **** Jun. 27, 2023**

(54) **LED LIGHT BULB PAIR**

(71) Applicant: **HaiHong Zhao**, Bazhong (CN)

(72) Inventor: **HaiHong Zhao**, Bazhong (CN)

(**) Term: **15 Years**

(21) Appl. No.: **29/795,984**

(22) Filed: **Jun. 22, 2021**

(51) **LOC (14) Cl.** **26-04**

(52) **U.S. Cl.**
USPC **D26/25**

(58) **Field of Classification Search**

USPC D26/1, 2, 4, 24, 25, 27, 57, 61, 67, 73,
D26/94, 98, 103, 110, 119, 128
CPC F21S 4/00; F21S 4/10; F21S 4/15; F21S
4/20; F21S 4/22; F21S 4/24; F21S 4/26;
F21W 2121/00; F21W 2121/04; F21W
2131/109

See application file for complete search history.

(56) **References Cited**

U.S. PATENT DOCUMENTS

6,371,637	B1	4/2002	Atchinson et al.	
6,566,824	B2	5/2003	Panagotacos et al.	
D720,307	S	12/2014	Freeman	
D825,793	S	8/2018	Lentz et al.	
D863,595	S	10/2019	Liao	
D863,606	S	10/2019	Ou	
D873,445	S	1/2020	Chen	
D888,293	S	6/2020	Xie	
D932,669	S *	10/2021	Zhao	D26/25
D947,418	S *	3/2022	He	D26/1
D947,419	S *	3/2022	He	D26/1

(Continued)

FOREIGN PATENT DOCUMENTS

CN 304759219 * 8/2018

OTHER PUBLICATIONS

“Wonalla” reference by Wonalla-US on Amazon.com, date first available Oct. 21, 2022 [online], site visited Dec. 13, 2022, available from internet URL: <https://www.amazon.com/Wonalla-APP-Control-Waterproof-Christmas-Halloween/dp/B0BCL3V39T> (Year: 2022).*

(Continued)

Primary Examiner — Richard Kearney

Assistant Examiner — Liv C Anderson

(74) *Attorney, Agent, or Firm* — iPA & iPM

(57) **CLAIM**

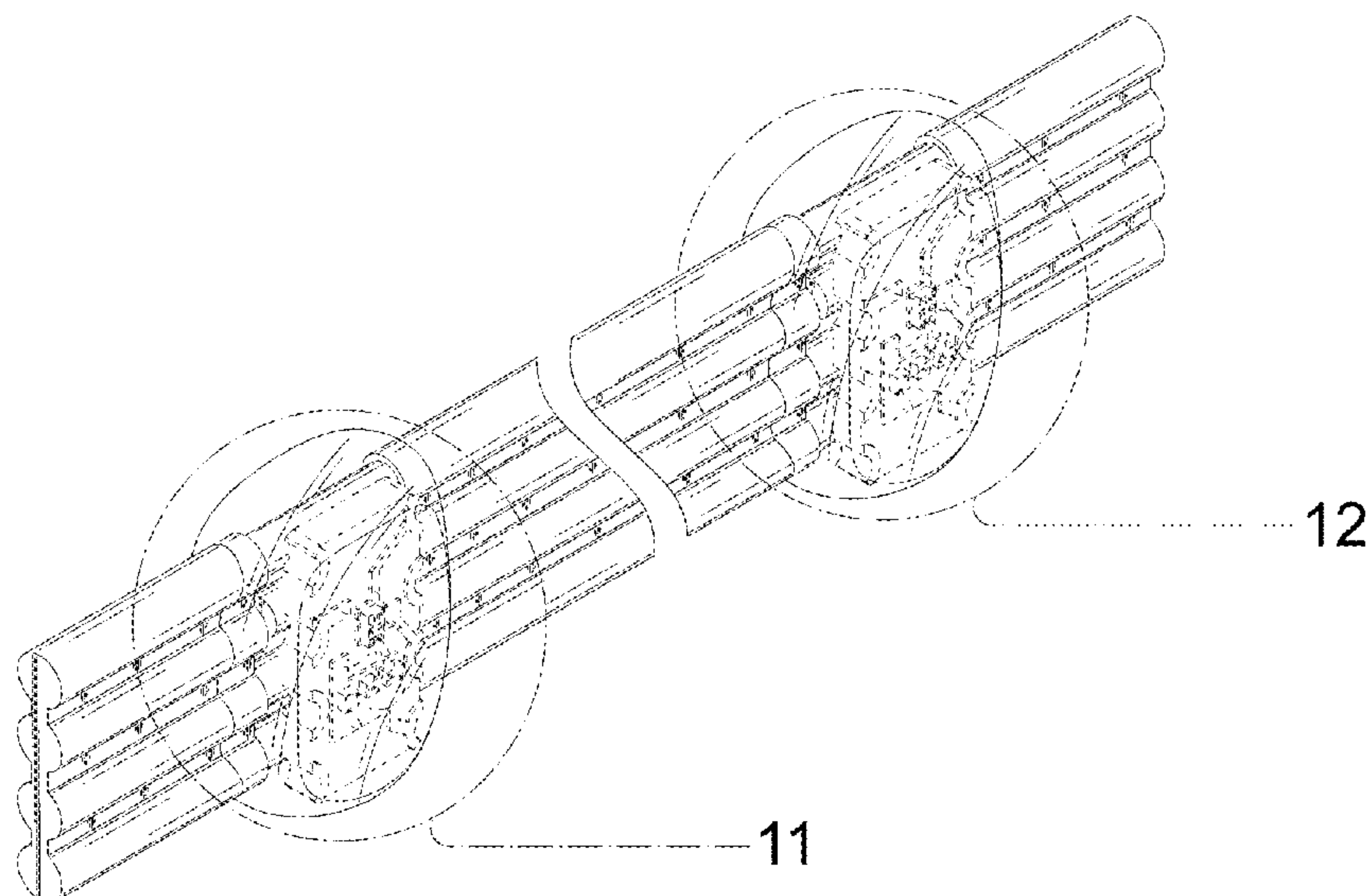
The ornamental design for a LED light bulb pair, as shown and described.

DESCRIPTION

FIG. 1 is perspective view of a first embodiment of a LED light bulb pair showing my new design; FIG. 2 is a perspective view thereof; FIG. 3 is a front view thereof; FIG. 4 is a back view thereof; FIG. 5 is left side view thereof; FIG. 6 is a right side view thereof; FIG. 7 is a top view thereof; FIG. 8 is a bottom view thereof; FIG. 9 is a perspective view of a second embodiment; FIG. 10 is a perspective view thereof; FIG. 11 is an enlarged detailed perspective view of area 11 in FIG. 1; and, FIG. 12 is an enlarged detailed perspective view of area 12 in FIG. 1.

The broken lines depict portions of the LED light bulb pair, the dash-dot-dash broken lines encircling the enlarged views in FIGS. 1, 11-12 are for annotation purposes only; all broken lines form no part of the claim. The LED light bulb pair is shown with a symbolic break in its length. The appearance of any portion of the article between the break lines forms no part of the claimed design.

1 Claim, 6 Drawing Sheets



(56)

References Cited

U.S. PATENT DOCUMENTS

D956,278 S * 6/2022 Zhao D26/25
D956,279 S * 6/2022 Zhao D26/25
2010/0157598 A1* 6/2010 Tsai F21V 21/002
362/382
2012/0275157 A1* 11/2012 Hsu F21S 4/22
362/249.14
2016/0341408 A1* 11/2016 Altamura F21V 19/001
2018/0340676 A1 11/2018 Tsai

OTHER PUBLICATIONS

“Waterglide” reference by LuckyStar on Amazon.com, date first available Aug. 30, 2021 [online], site visited Dec. 13, 2022, available from internet URL: <https://www.amazon.com/WATERGLIDE-Outdoor-Christmas-Waterproof-Holiday/dp/B09DYK2DFX> (Year: 2021).*

“Smart” reference by Haynery on Amazon.com, date first available Nov. 4, 2022 [online], site visited Dec. 13, 2022, available from internet URL: <https://www.amazon.com/Christmas-Twinkle-Controlled-Changing-Bedroom/dp/B0BJ21G8KF> (Year: 2022).*

* cited by examiner

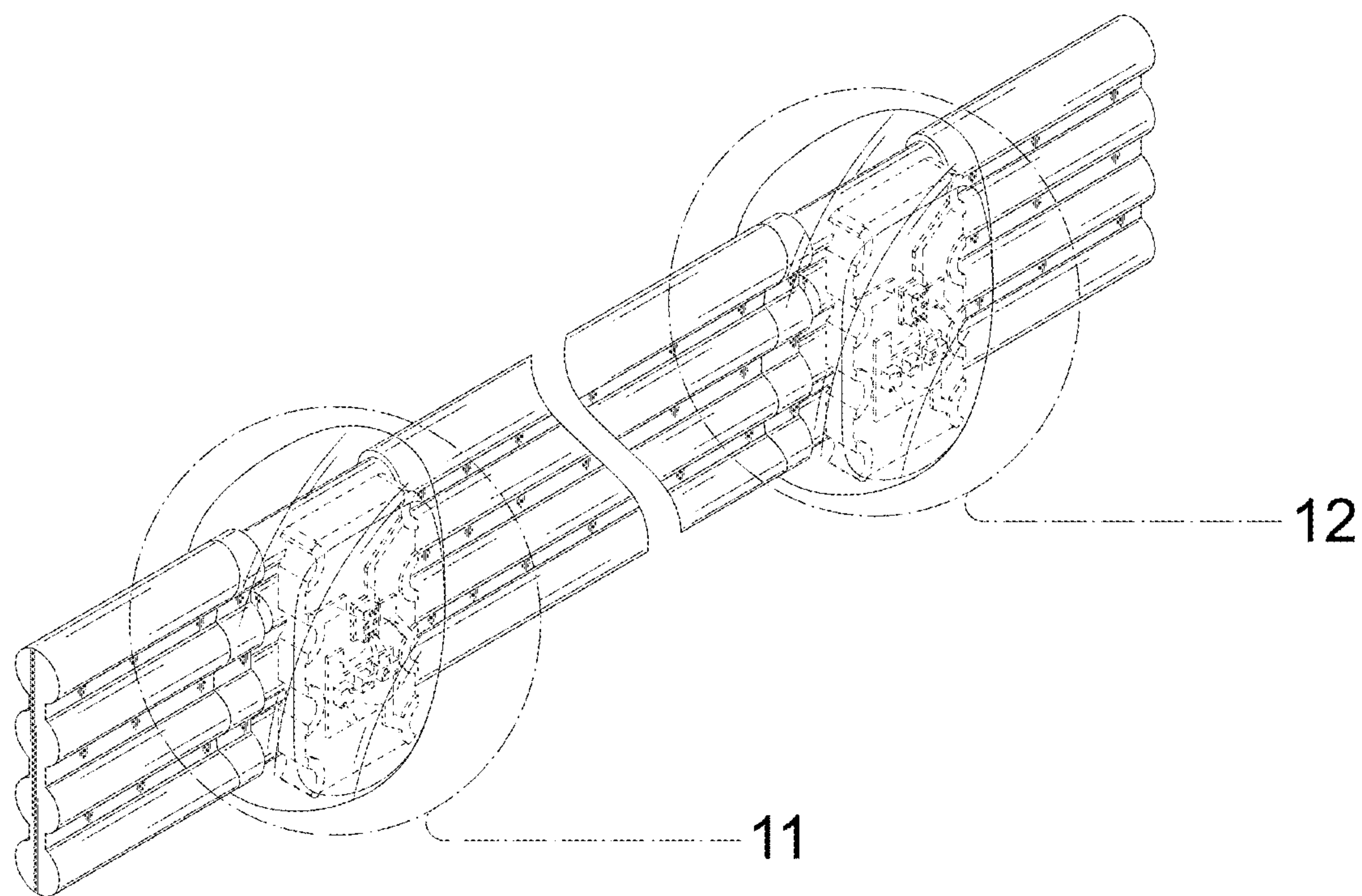


FIG.1

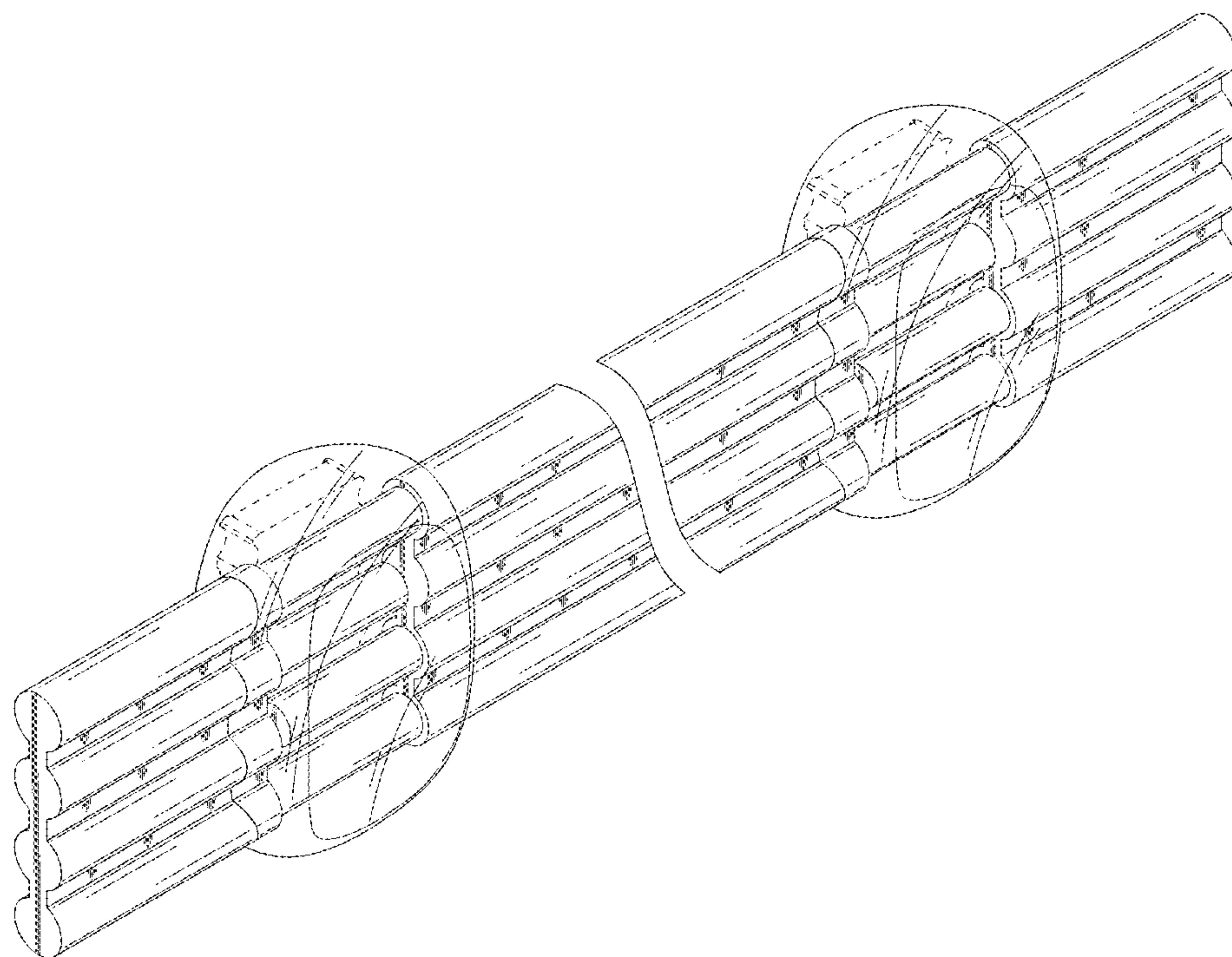


FIG.2

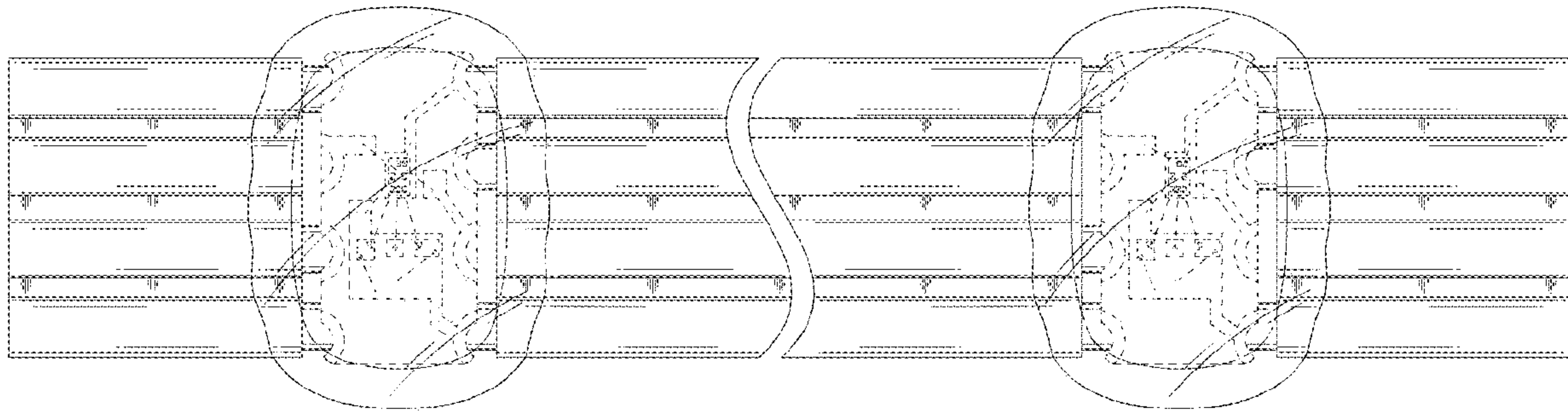


FIG.3

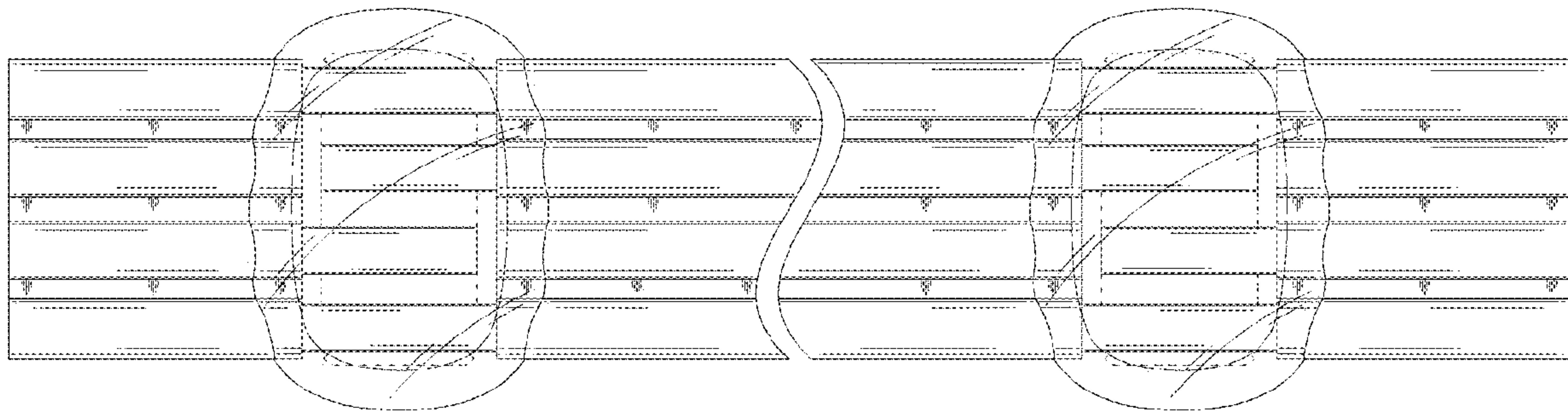


FIG.4

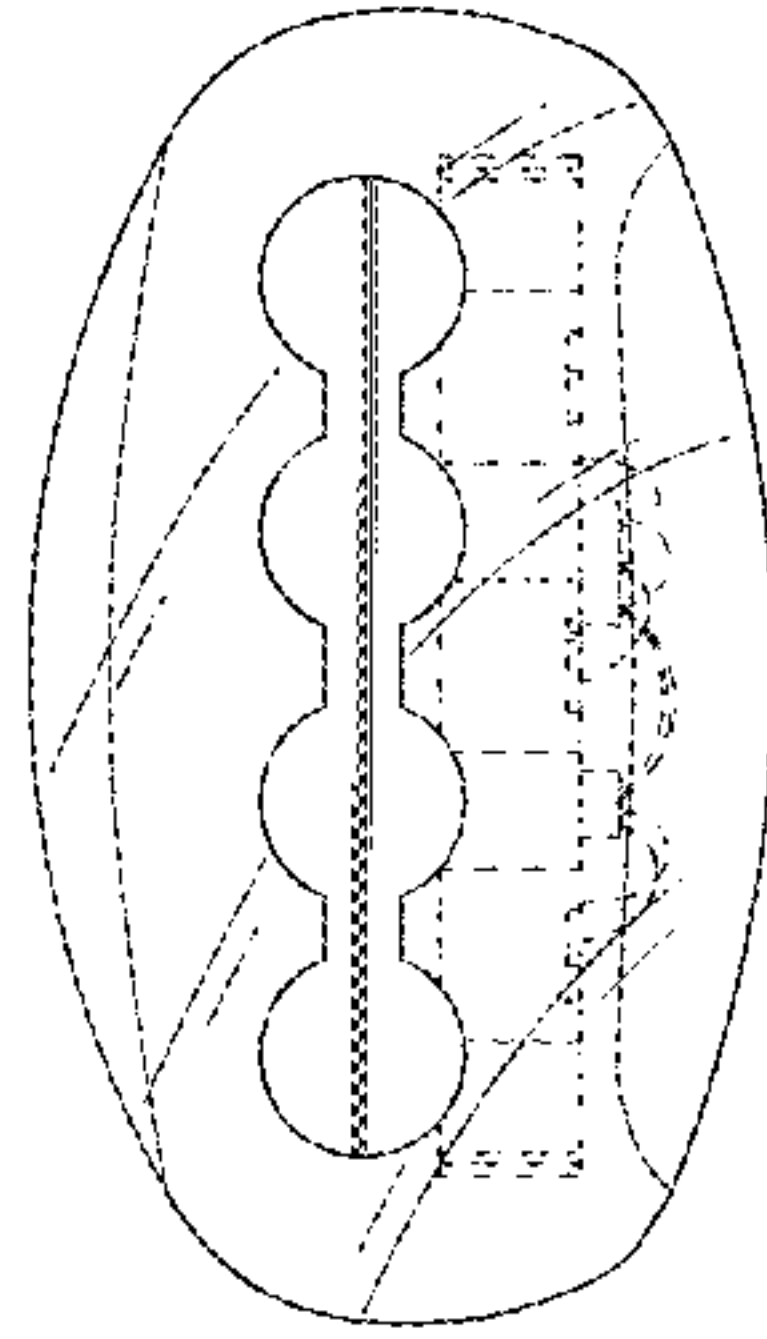


FIG.5

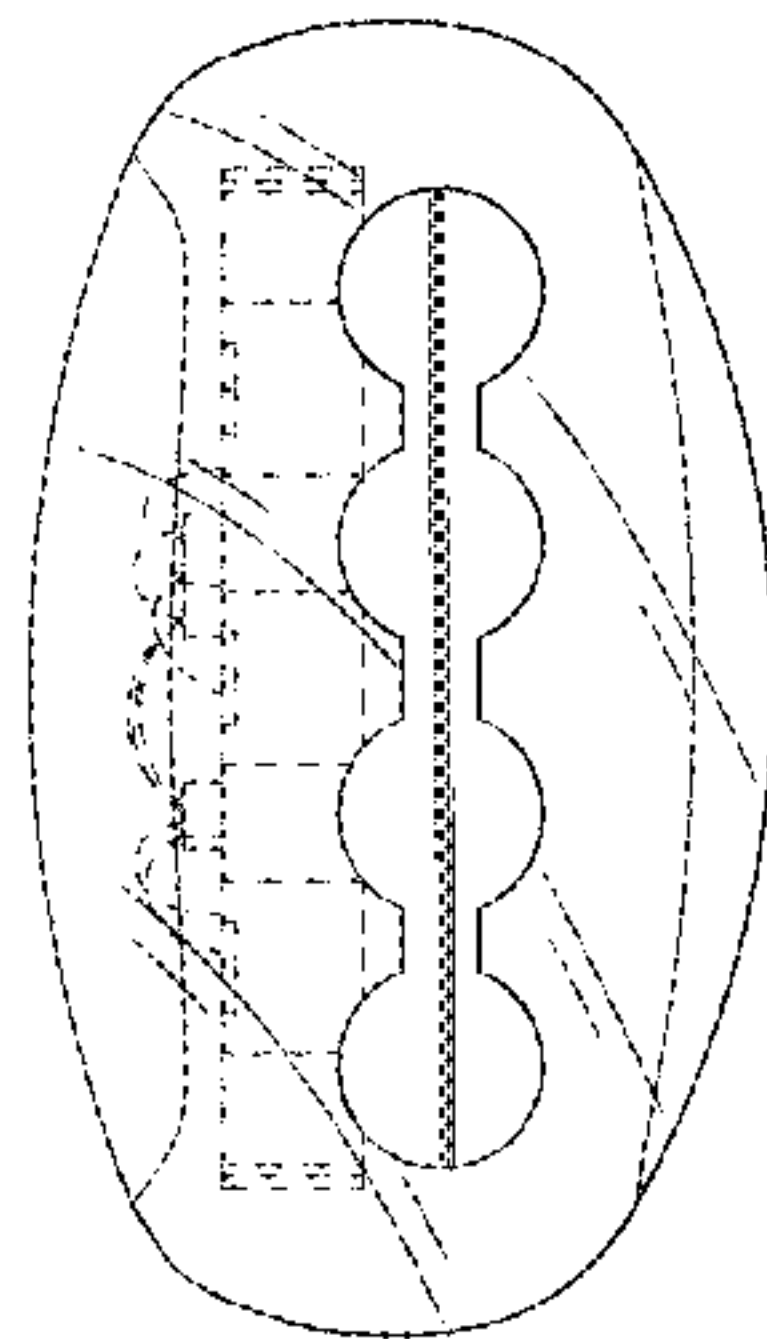


FIG.6

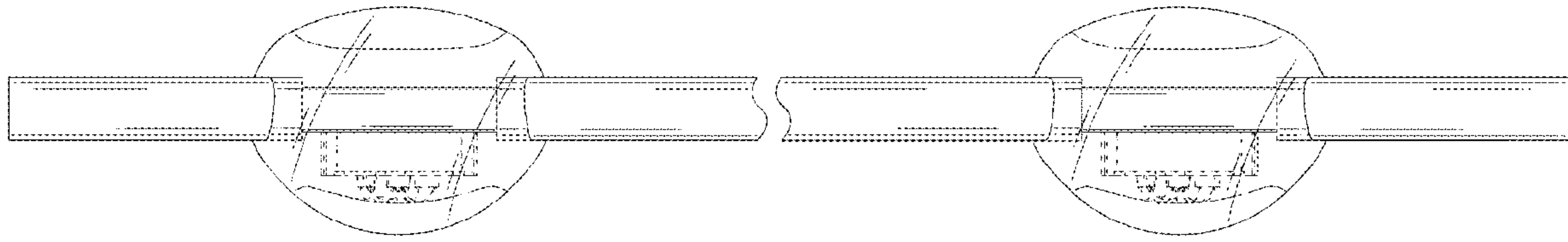


FIG. 7

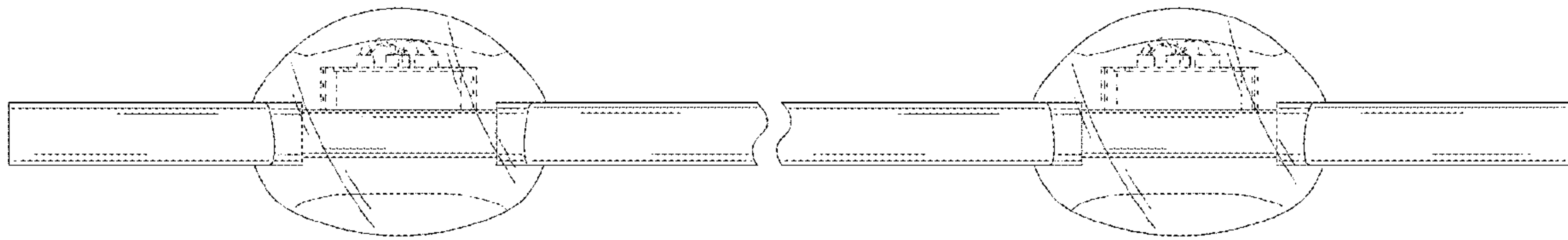


FIG. 8

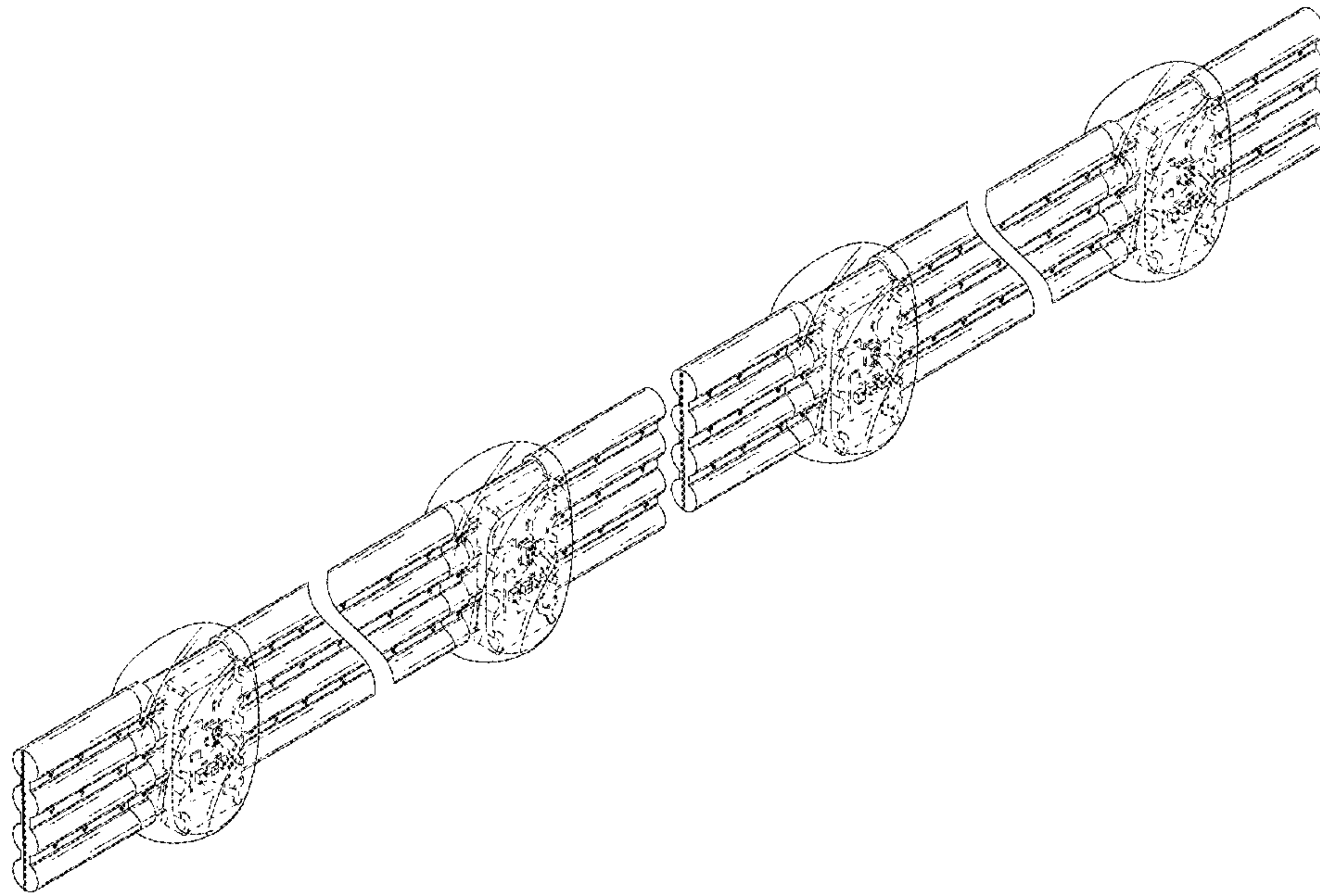


FIG.9

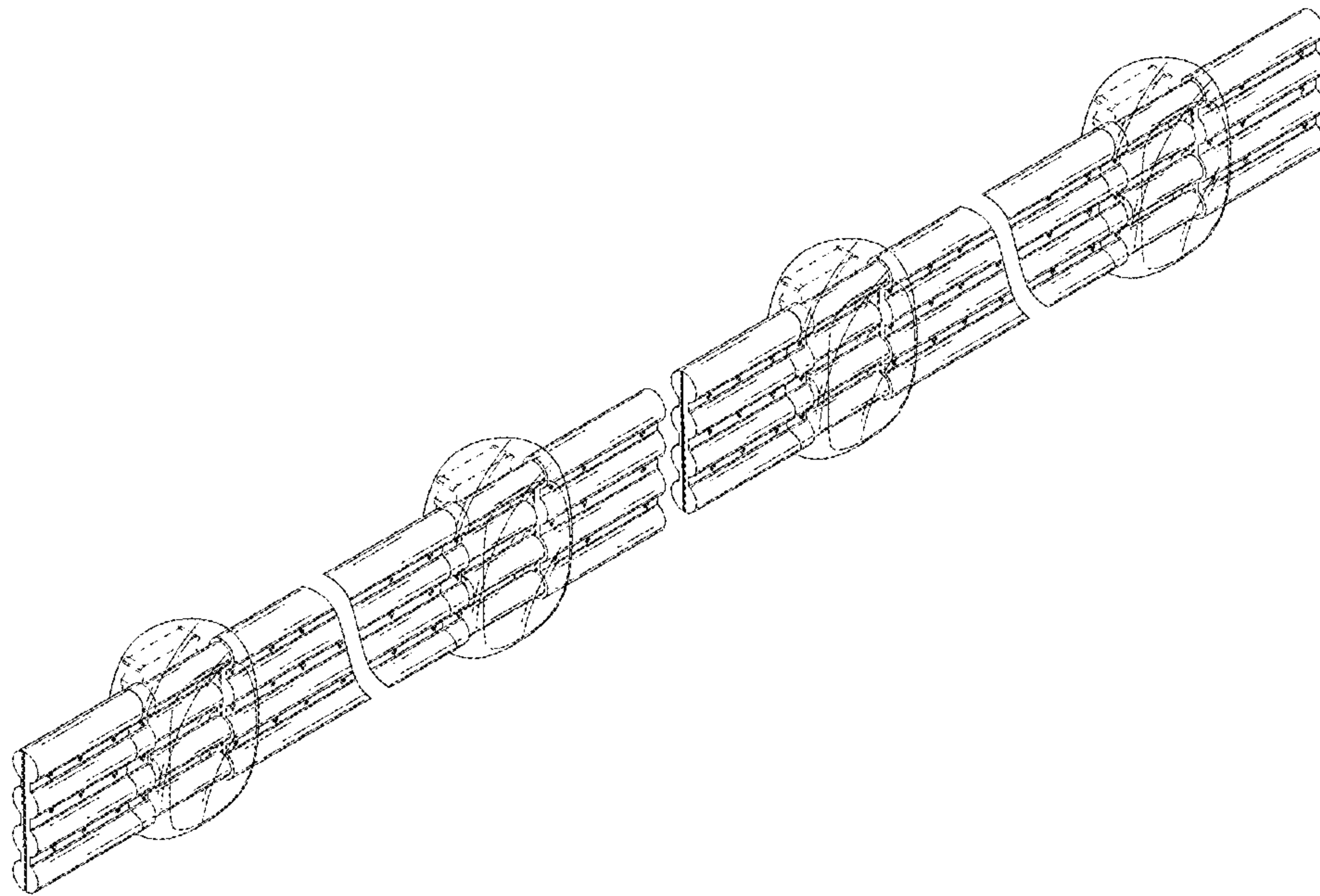


FIG.10

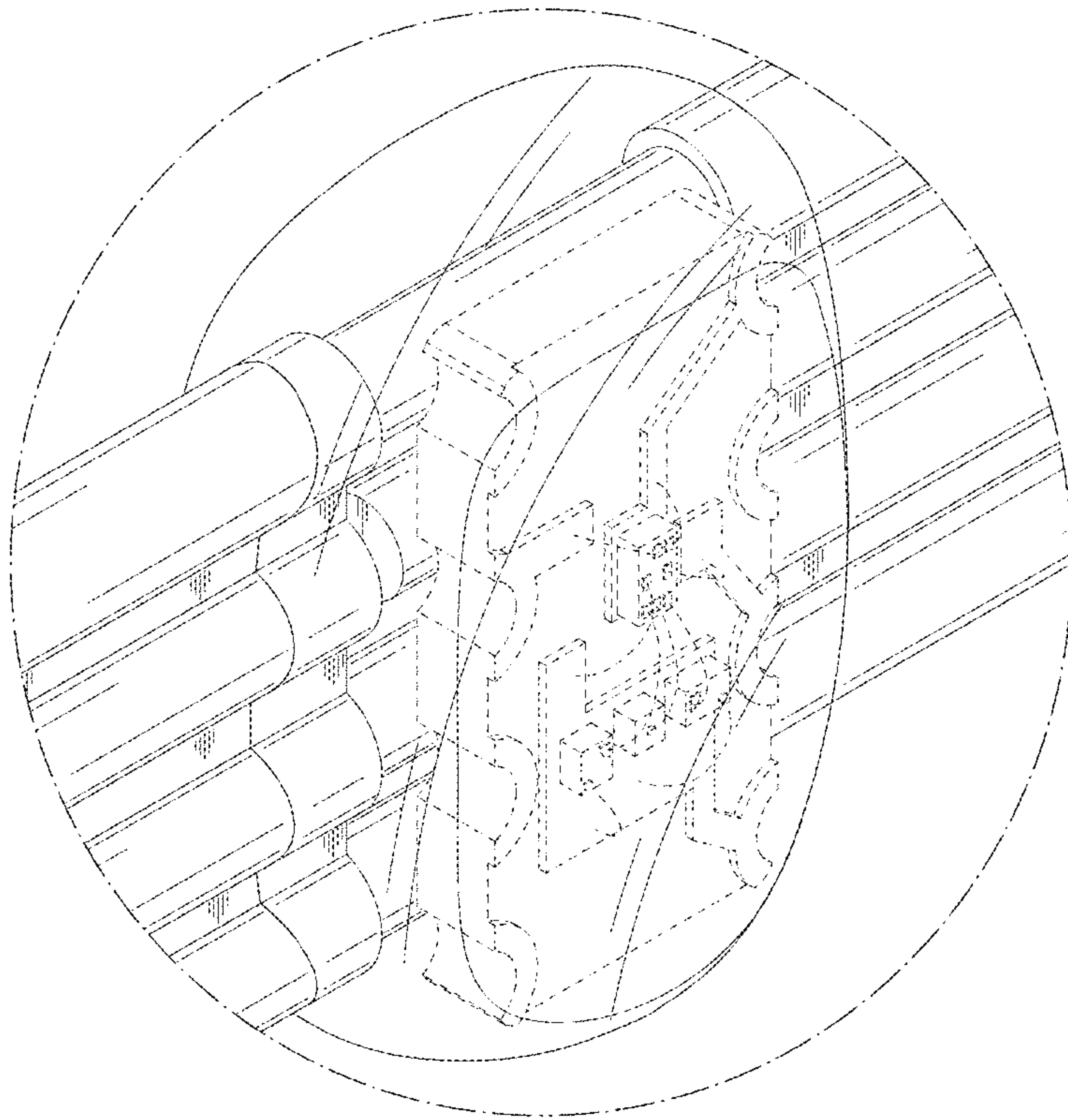


FIG. 11

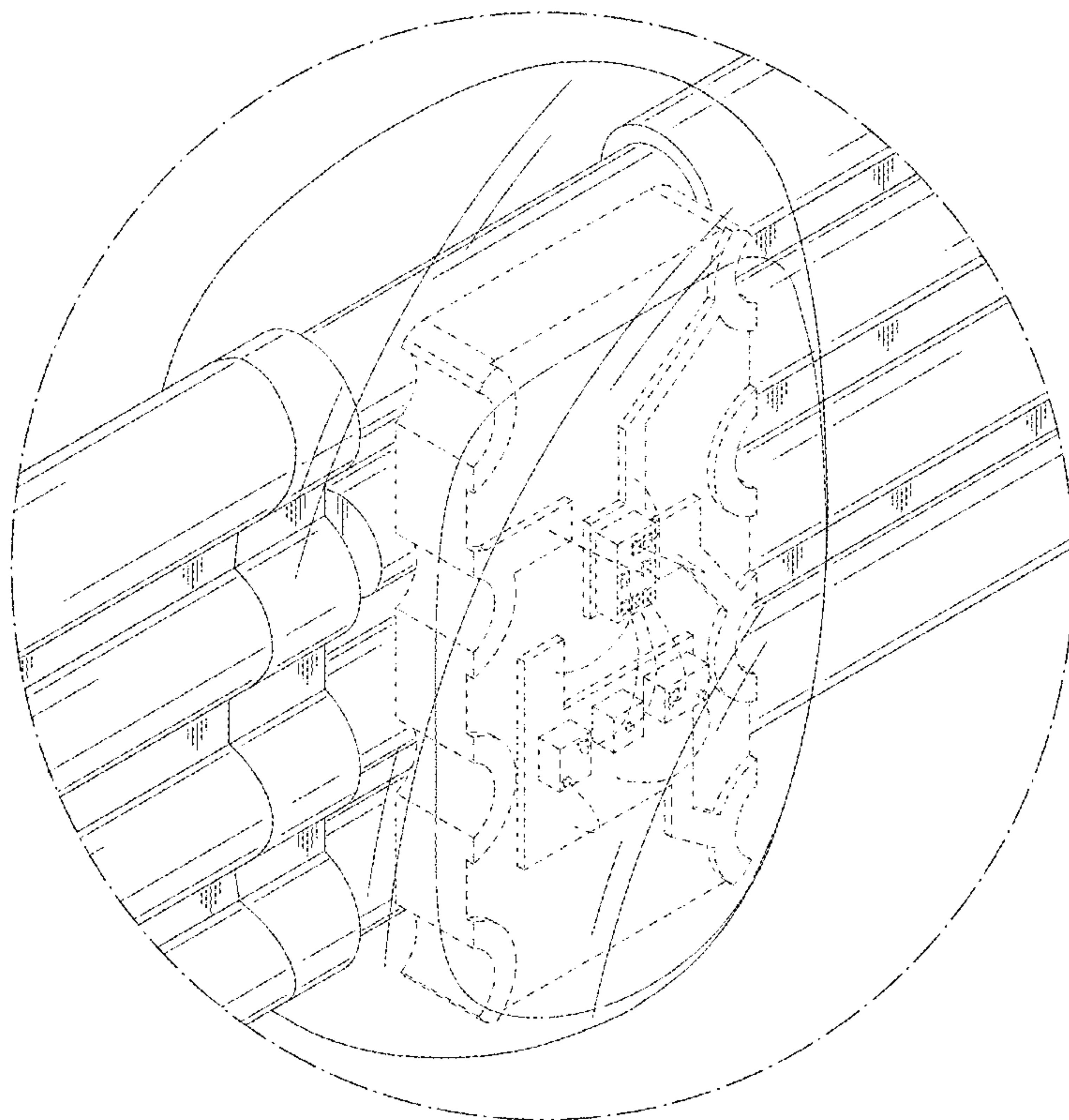


FIG. 12