



US00D990601S

(12) **United States Design Patent**
Schweigert

(10) **Patent No.:** **US D990,601 S**
(45) **Date of Patent:** **** Jun. 27, 2023**

(54) **GOLF CLUB HEAD**

(71) Applicant: **PARSONS XTREME GOLF, LLC**,
Scottsdale, AZ (US)

(72) Inventor: **Bradley D. Schweigert**, Cave Creek,
AZ (US)

(73) Assignee: **PARSONS XTREME GOLF, LLC**,
Scottsdale, AZ (US)

(**) Term: **15 Years**

(21) Appl. No.: **29/798,686**

(22) Filed: **Jul. 9, 2021**

(51) **LOC (14) Cl.** **21-02**

(52) **U.S. Cl.**
USPC **D21/759**

(58) **Field of Classification Search**
USPC D21/733, 752, 759
CPC A63B 53/00; A63B 53/04; A63B 53/0466;
A63B 2053/0445; A63B 2053/0433;
A63B 2053/0491; A63B 2053/0437;
A63B 60/00; A63B 60/46
See application file for complete search history.

(56) **References Cited**

U.S. PATENT DOCUMENTS

723,534 A 3/1903 Knight
922,444 A 5/1909 Youds
1,094,599 A 4/1914 Samson
D57,980 S 5/1921 Kraeuter

(Continued)

FOREIGN PATENT DOCUMENTS

JP 2004223184 A 8/2004
JP 2005160691 A 6/2005

(Continued)

OTHER PUBLICATIONS

Golf hybrids google search; google.com; Jan. 20, 2023.*

(Continued)

Primary Examiner — Mitchell I. Siegel

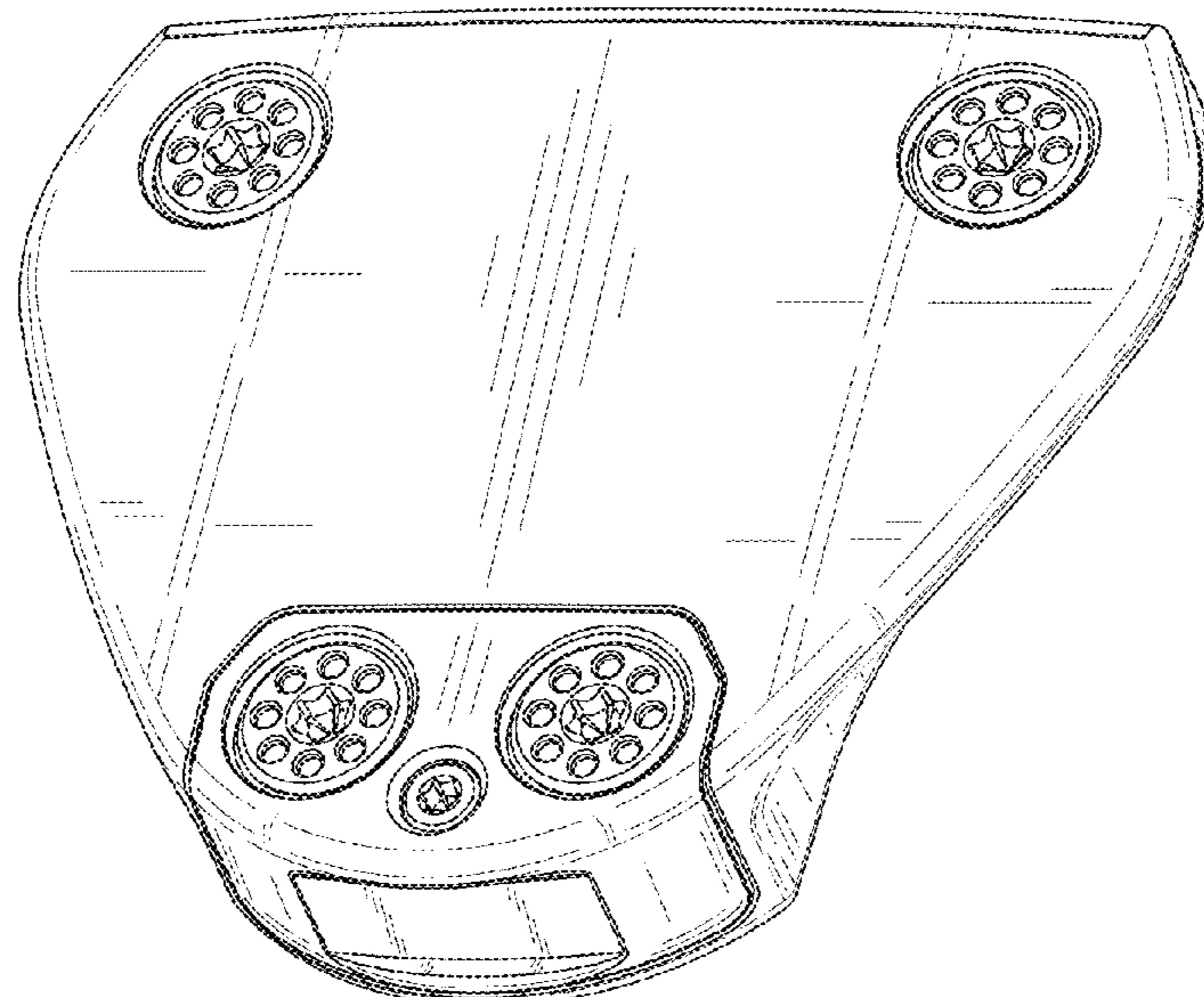
(57) **CLAIM**

The ornamental design for a golf club head, as shown and described.

DESCRIPTION

FIG. 1 is a top perspective view of a golf club head according to a first embodiment;
FIG. 2 is a bottom perspective view of the golf club head of FIG. 1;
FIG. 3 is a front elevational view of the golf club head of FIG. 1;
FIG. 4 is a rear elevational view of the golf club head of FIG. 1;
FIG. 5 is a top view of the golf club head of FIG. 1;
FIG. 6 is a bottom view of the golf club head of FIG. 1;
FIG. 7 is a left side view of the golf club head of FIG. 1;
FIG. 8 is a right side view of the golf club head of FIG. 1;
FIG. 9 is a top perspective view of a golf club head according to a second embodiment;
FIG. 10 is a bottom perspective view of the golf club head of FIG. 9;
FIG. 11 is a front elevational view of the golf club head of FIG. 9;
FIG. 12 is a rear elevational view of the golf club head of FIG. 9;
FIG. 13 is a top view of the golf club head of FIG. 9;
FIG. 14 is a bottom view of the golf club head of FIG. 9;
FIG. 15 is a left side view of the golf club head of FIG. 9; and,
FIG. 16 is a right side view of the golf club head of FIG. 9. The broken lines shown on the drawings form no part of the claimed design.

1 Claim, 8 Drawing Sheets



(56)

References Cited

U.S. PATENT DOCUMENTS

D63,284 S	11/1923	Challis	6,348,014 B1	2/2002	Chiu
RE19,178 E	5/1934	Spiker	6,354,959 B1	3/2002	Nicolette et al.
4,043,562 A	8/1977	Shillington	6,394,910 B1	5/2002	McCarthy
D248,783 S	8/1978	Long	D469,141 S *	1/2003	Poynor D21/759
4,340,230 A	7/1982	Churchward	D472,949 S	4/2003	Serrano
D281,092 S	10/1985	Mills	D474,821 S	5/2003	Wells et al.
4,754,977 A	7/1988	Sahm	D474,949 S	5/2003	Schaffeld et al.
4,869,507 A	9/1989	Sahm	D482,087 S	11/2003	Burrows
4,964,641 A	10/1990	Miesch et al.	6,652,390 B2	11/2003	Bradford
D313,451 S	1/1991	Shearer	D483,086 S	12/2003	Schweigert et al.
D335,317 S	5/1993	Shearer	D486,539 S	2/2004	Burrows
D335,692 S	5/1993	Antonious	D486,872 S	2/2004	Schweigert et al.
D336,757 S	6/1993	Antonious	D488,200 S	4/2004	Olsavsky et al.
5,275,412 A	1/1994	Innes	D490,487 S	5/2004	Burrows
D350,582 S	9/1994	Miansian et al.	D498,276 S	11/2004	Schweigert et al.
5,390,919 A	2/1995	Stubbs et al.	D500,823 S	1/2005	Aldrich
D356,131 S	3/1995	Trimble	D502,518 S	3/2005	Smart
D359,330 S	6/1995	Channell	6,902,496 B2	6/2005	Solheim et al.
D360,444 S	7/1995	Takahashi et al.	6,902,498 B2	6/2005	Sullivan et al.
5,429,366 A	7/1995	McCabe	D509,273 S	9/2005	Morris et al.
D363,101 S	10/1995	Sturm	D511,801 S	11/2005	Garcia
D364,665 S	11/1995	Goodrich	D512,114 S	11/2005	Garcia
D365,864 S	1/1996	Sturm	D512,116 S	11/2005	Miraflor et al.
5,489,097 A	2/1996	Simmons	6,988,955 B2	1/2006	Stoakes
D368,751 S	4/1996	Rife	6,988,956 B2	1/2006	Cover et al.
D369,393 S	4/1996	Takahashi et al.	D518,129 S *	3/2006	Poynor D21/759
5,571,053 A	11/1996	Lane	D520,083 S	5/2006	Lu
D378,688 S	4/1997	Cameron	D520,088 S	5/2006	Pan
D380,514 S	7/1997	Markley	D520,584 S	5/2006	Karlsen
D381,382 S	7/1997	Fenton, Jr.	D521,093 S *	5/2006	Jorgensen D21/759
D385,609 S	10/1997	Cameron	D523,502 S *	6/2006	Jorgensen D21/752
5,683,307 A	11/1997	Rife	D529,109 S	9/2006	Jones
D388,143 S	12/1997	Huan-Chiang	D531,242 S	10/2006	Adams
D389,207 S	1/1998	Cameron	7,125,341 B1	10/2006	D'Eath
D398,685 S	9/1998	Masuda	D532,067 S	11/2006	Soracco et al.
5,807,190 A	9/1998	Krumme et al.	D534,229 S *	12/2006	Barez D21/752
D399,274 S	10/1998	Bradford	7,153,220 B2	12/2006	Lo
D399,290 S	10/1998	Sizemore, Jr.	D534,595 S	1/2007	Hasebe
D399,911 S	10/1998	Nicolette et al.	7,156,752 B1	1/2007	Bennett
5,839,974 A	11/1998	McAllister	D536,401 S	2/2007	Kawami
D402,726 S *	12/1998	McCabe D21/753	D536,403 S	2/2007	Kawami
D405,836 S	2/1999	Nicolette et al.	D537,898 S	3/2007	Kuan et al.
D409,701 S	5/1999	Ashcraft et al.	D538,371 S	3/2007	Kawami
D411,275 S	6/1999	Bottema et al.	D541,364 S *	4/2007	Barez D21/759
5,924,938 A	7/1999	Hines	7,204,765 B2	4/2007	Cover et al.
D415,809 S	10/1999	Bottema et al.	D542,869 S	5/2007	Adams
D416,062 S	11/1999	Solheim et al.	D542,873 S	5/2007	Oldknow
D416,969 S	11/1999	Solheim et al.	D543,598 S	5/2007	Kuan et al.
D416,970 S	11/1999	Solheim et al.	D543,601 S	5/2007	Kawami
6,007,434 A	12/1999	Baker et al.	D554,719 S *	11/2007	Barez D21/752
D421,473 S	3/2000	Solheim et al.	D554,720 S *	11/2007	Barez D21/752
D422,041 S	3/2000	Bradford	D555,219 S	11/2007	Lin
D422,655 S	4/2000	Hicks	D556,277 S	11/2007	Broom
6,050,903 A	4/2000	Lake	7,309,297 B1	12/2007	Solari
D426,276 S	6/2000	Besnard et al.	D561,854 S	2/2008	Morris
6,089,993 A	7/2000	Woodward et al.	D561,856 S *	2/2008	Barez D21/752
D429,302 S	8/2000	Antonious	7,331,876 B2	2/2008	Klein
6,110,057 A	8/2000	McKinnon	D565,137 S	3/2008	Oldknow et al.
D430,914 S	9/2000	Antonious	7,351,162 B2	4/2008	Soracco et al.
D431,853 S	10/2000	Antonious	D569,460 S	5/2008	Walker et al.
D431,854 S	10/2000	Cameron	D569,461 S	5/2008	Morris
D432,192 S	10/2000	Hicks	D569,930 S	5/2008	Nehrbas
D436,151 S	1/2001	Nicolette et al.	7,396,289 B2	7/2008	Soracco et al.
D437,374 S	2/2001	Cameron	D577,085 S	9/2008	Nicolette et al.
D441,820 S	5/2001	Nicolette et al.	D577,086 S	9/2008	Nicolette et al.
D443,668 S	6/2001	Nicolette et al.	D579,506 S	10/2008	Nicolette et al.
D443,905 S	6/2001	Nicolette et al.	D579,995 S	11/2008	Nicolette et al.
D444,833 S	7/2001	Wells et al.	D582,497 S	12/2008	Rollinson
D444,835 S	7/2001	Wahl et al.	7,473,189 B2	1/2009	Schweigert et al.
6,257,994 B1	7/2001	Antonious	7,491,131 B2	2/2009	Vinton
6,264,571 B1	7/2001	Lekavich	D594,921 S	6/2009	Bettinardi
D449,664 S	10/2001	Beebe et al.	D595,370 S	6/2009	Ines et al.
D449,865 S	10/2001	Fife, Jr. et al.	D595,793 S	7/2009	Rollinson
D450,799 S	11/2001	Nicolette et al.	D599,425 S	9/2009	Laub
D451,973 S	12/2001	Wells et al.	D599,867 S	9/2009	Teramoto
			D600,295 S	9/2009	Meeks
			D600,762 S	9/2009	Serrano et al.
			D600,763 S	9/2009	Cameron
			D601,214 S	9/2009	Serrano et al.

(56)

References Cited

U.S. PATENT DOCUMENTS

D606,139 S	12/2009	Ines et al.	D748,215 S	1/2016	Parsons et al.	
D606,140 S	12/2009	Ramsauer	9,233,283 B2	1/2016	Schweigert	
D606,141 S	12/2009	Ramsauer	9,265,996 B1	2/2016	Abbott et al.	
D606,142 S	12/2009	Ramsauer	D752,697 S	3/2016	Claveran	
D607,951 S	1/2010	Teramoto	D753,252 S	4/2016	Schweigert	
D607,952 S	1/2010	Demkowski et al.	9,440,124 B2	9/2016	Parsons et al.	
D617,857 S	6/2010	Sones	D771,209 S *	11/2016	Chen	D21/752
7,744,485 B2	6/2010	Jones et al.	9,498,685 B2	11/2016	Abbott et al.	
D619,666 S	7/2010	DePaul	9,566,484 B1	2/2017	Abbott et al.	
D620,993 S	8/2010	Laub	D783,745 S	4/2017	Chen	
D621,461 S	8/2010	Serrano et al.	D791,254 S	7/2017	Ramsauer	
D623,709 S	9/2010	Serrano et al.	D791,891 S	7/2017	Davis	
7,867,104 B2	1/2011	Franklin et al.	D794,146 S	8/2017	Davis	
D631,925 S	2/2011	Broom	D798,975 S	10/2017	Becktor	
7,887,432 B2	2/2011	Jones et al.	D798,976 S	10/2017	Becktor	
D633,964 S	3/2011	Teramoto	D798,977 S	10/2017	Becktor	
7,909,707 B2	3/2011	Klein	D798,978 S	10/2017	Becktor	
7,918,745 B2	4/2011	Morris et al.	D798,979 S	10/2017	Becktor	
7,927,226 B1	4/2011	Twitty	D798,980 S	10/2017	Becktor	
D638,891 S	5/2011	Nicolette et al.	D798,981 S	10/2017	Becktor et al.	
7,942,758 B2	5/2011	Nakamura	D799,619 S	10/2017	Becktor et al.	
D639,369 S	6/2011	Miyamichi	D802,073 S	11/2017	Toulon	
D642,643 S	8/2011	Nicolette et al.	D809,616 S	2/2018	Toulon et al.	
D643,485 S	8/2011	Nicolette et al.	D812,163 S	3/2018	Kroloff	
D643,892 S	8/2011	McGrorty	9,987,530 B2	6/2018	Jertson et al.	
D645,104 S	9/2011	Nicolette et al.	D823,958 S *	7/2018	Stokke	D21/752
8,096,039 B2	1/2012	Soracco et al.	D824,462 S	7/2018	Bruschi et al.	
D653,718 S	2/2012	Stokke et al.	D827,742 S	9/2018	Weaver	
8,109,841 B2	2/2012	Miyamichi	D835,217 S	12/2018	Nicolette	
D655,361 S	3/2012	Ramsauer	D837,911 S	1/2019	Bruschi et al.	
D657,836 S	4/2012	Oldknow et al.	10,173,105 B2	1/2019	Myers et al.	
D657,837 S	4/2012	Oldknow et al.	D839,977 S	2/2019	Rollinson et al.	
D658,245 S	4/2012	Oldknow et al.	D844,085 S	3/2019	Nicolette	
D661,753 S	6/2012	Cameron et al.	D844,723 S	4/2019	Nicolette	
D666,260 S	8/2012	Cynn	D859,545 S	9/2019	Long et al.	
8,303,434 B1	11/2012	DePaul	D861,091 S	9/2019	Glorioso et al.	
D672,418 S	12/2012	Rollinson	D861,811 S *	10/2019	Jertson	D21/752
8,328,654 B2	12/2012	Demkowski et al.	D877,831 S	3/2020	Cameron	
8,371,958 B2	2/2013	Treadwell	D892,243 S	8/2020	Rollinson et al.	
8,376,876 B2	2/2013	Gibbs et al.	D893,655 S	8/2020	Schweigert et al.	
8,376,878 B2	2/2013	Bennett et al.	D895,037 S	9/2020	Clarke et al.	
D688,339 S	8/2013	Hilton et al.	D896,328 S	9/2020	Clarke et al.	
D688,341 S	8/2013	Rollinson	D906,453 S	12/2020	Agrella et al.	
D691,226 S	10/2013	Hilton et al.	D906,457 S	12/2020	Lambeth et al.	
8,608,590 B2	12/2013	Hackel et al.	D907,146 S	1/2021	Cyrulik et al.	
D699,308 S	2/2014	Rollinson	D907,147 S	1/2021	Agrella et al.	
8,696,492 B1	4/2014	Hocknell et al.	D907,730 S	1/2021	Rollinson et al.	
D704,782 S	5/2014	Rollinson	D920,454 S *	5/2021	Chun	D21/752
8,721,472 B2	5/2014	Kuan et al.	D920,455 S *	5/2021	Chun	D21/752
8,790,193 B2	7/2014	Serrano et al.	D920,456 S *	5/2021	Song	D21/752
D711,483 S	8/2014	Wong	D925,674 S *	7/2021	Song	D21/752
D715,388 S	10/2014	Serrano et al.	D926,901 S *	8/2021	Parsons	D21/752
8,900,064 B2	12/2014	Franklin	D930,098 S *	9/2021	Kitching, Jr.	D21/752
D722,350 S	2/2015	Schweigert	D931,391 S *	9/2021	Chun	D21/752
D722,351 S	2/2015	Parsons et al.	D931,392 S *	9/2021	Kitching, Jr.	D21/752
D722,352 S	2/2015	Nicolette et al.	D931,394 S *	9/2021	Kitching, Jr.	D21/752
D723,120 S	2/2015	Nicolette	D933,148 S *	10/2021	Nicolette	D21/752
D724,164 S	3/2015	Schweigert et al.	D933,149 S *	10/2021	Kroloff	D21/752
D725,208 S	3/2015	Schweigert	D933,150 S *	10/2021	Kroloff	D21/752
D726,265 S	4/2015	Nicolette	D933,151 S *	10/2021	Kroloff	D21/752
D726,270 S	4/2015	Rollinson	D938,535 S *	12/2021	Parsons	D21/752
D726,846 S	4/2015	Schweigert	D941,946 S *	1/2022	Parsons	D21/752
D730,462 S	5/2015	Becktor et al.	D944,909 S *	3/2022	Chun	D21/759
D732,122 S	6/2015	Becktor	D949,271 S *	4/2022	Parsons	D21/752
D732,618 S	6/2015	Becktor et al.	D949,272 S *	4/2022	Parsons	D21/752
D733,234 S	6/2015	Nicolette	D952,084 S *	5/2022	Parsons	D21/752
D735,283 S	7/2015	Solheim et al.	D952,086 S *	5/2022	Parsons	D21/752
9,108,088 B2	8/2015	Serrano et al.	D973,164 S *	12/2022	Parsons	D21/752
D738,447 S	9/2015	Schweigert	D973,166 S *	12/2022	Parsons	D21/759
D738,449 S	9/2015	Schweigert	D973,808 S *	12/2022	Parsons	D21/752
D739,487 S	9/2015	Schweigert	D973,813 S *	12/2022	Parsons	D21/759
9,144,717 B2	9/2015	Franklin et al.	2004/0138003 A1	7/2004	Grace	
D741,426 S	10/2015	Schweigert	2004/0180730 A1	9/2004	Franklin et al.	
D746,926 S	1/2016	Parsons et al.	2006/0052178 A1	3/2006	Franklin et al.	
D748,213 S	1/2016	Parsons et al.	2006/0094522 A1	5/2006	Tang et al.	
			2006/0223649 A1	10/2006	Rife	
			2007/0129163 A1	6/2007	Solari	
			2007/0135229 A1	6/2007	Lo et al.	
			2007/0142122 A1	6/2007	Bonneau	

(56)

References Cited

U.S. PATENT DOCUMENTS

2007/0207875 A1 9/2007 Kuan et al.
 2007/0238548 A1 10/2007 Johnson
 2008/0139333 A1 6/2008 Klein
 2008/0146372 A1 6/2008 John
 2008/0176672 A1 7/2008 Roach et al.
 2009/0029800 A1 1/2009 Jones et al.
 2010/0255922 A1 10/2010 Lueders
 2011/0165959 A1 7/2011 Klein
 2013/0165256 A1 6/2013 Stevenson
 2013/0210537 A1 8/2013 Ainscough et al.
 2015/0057100 A1 2/2015 Serrano et al.
 2015/0258390 A1 9/2015 DeFrancesco, Jr.
 2015/0306477 A1 10/2015 Parsons et al.
 2016/0016050 A1 1/2016 Rife
 2016/0346649 A1 12/2016 Jertson et al.
 2018/0001163 A1 1/2018 Becktor et al.
 2018/0311545 A1 11/2018 Lambeth et al.
 2019/0175995 A1 6/2019 Kroloff et al.
 2019/0175996 A1 6/2019 Kroloff et al.
 2020/0061421 A1 2/2020 Kroloff et al.

FOREIGN PATENT DOCUMENTS

KR 200377377 Y1 3/2005
 KR 200403045 Y1 12/2005
 KR 20100065481 A 6/2010
 KR 101773069 B1 8/2017

OTHER PUBLICATIONS

Golf fairway woods google search; google.com; Jan. 20, 2023.*
 Golf woods google search; google.com; Jan. 20, 2023.*
 pxg.com (9 pages); Jan. 20, 2023.*
 Plugged In Golf (2015 Bettinardi Putters Review) [online]. Mar. 3, 2015 [retrieve Nov. 25, 2019].
 TourSpecGolf (Gold's Factory Multi Weighted Custom Putter), Published Nov. 20, 2010 [http://blog.tourspecgolf.com/golds-factory-multi-weighted-custom-putter/]. Retrieved May 17, 2020.
 U.S. Appl. No. 29/523,587, Schweigert, "Golf Club Head," filed Apr. 10, 2015.

* cited by examiner

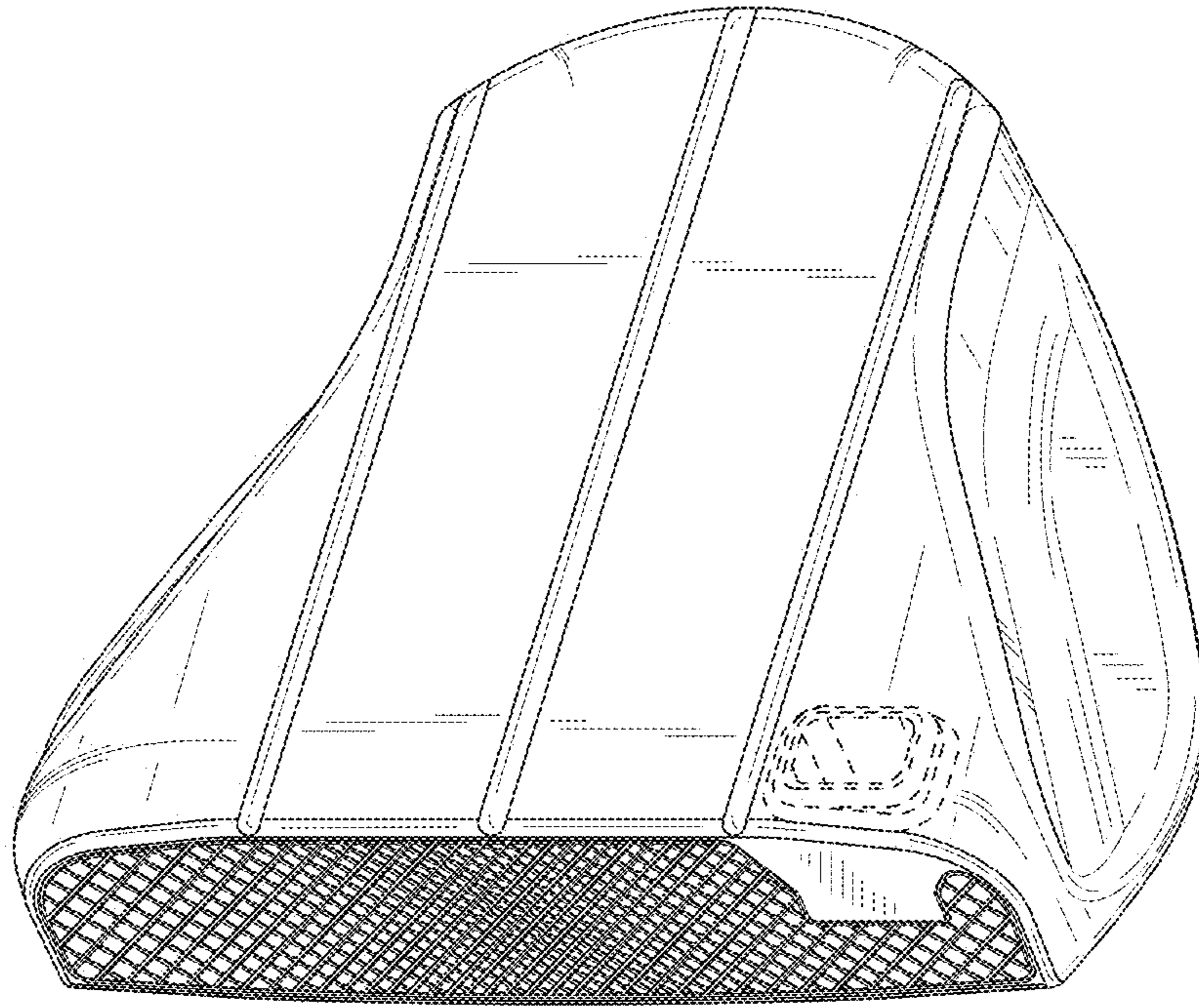


FIG. 1

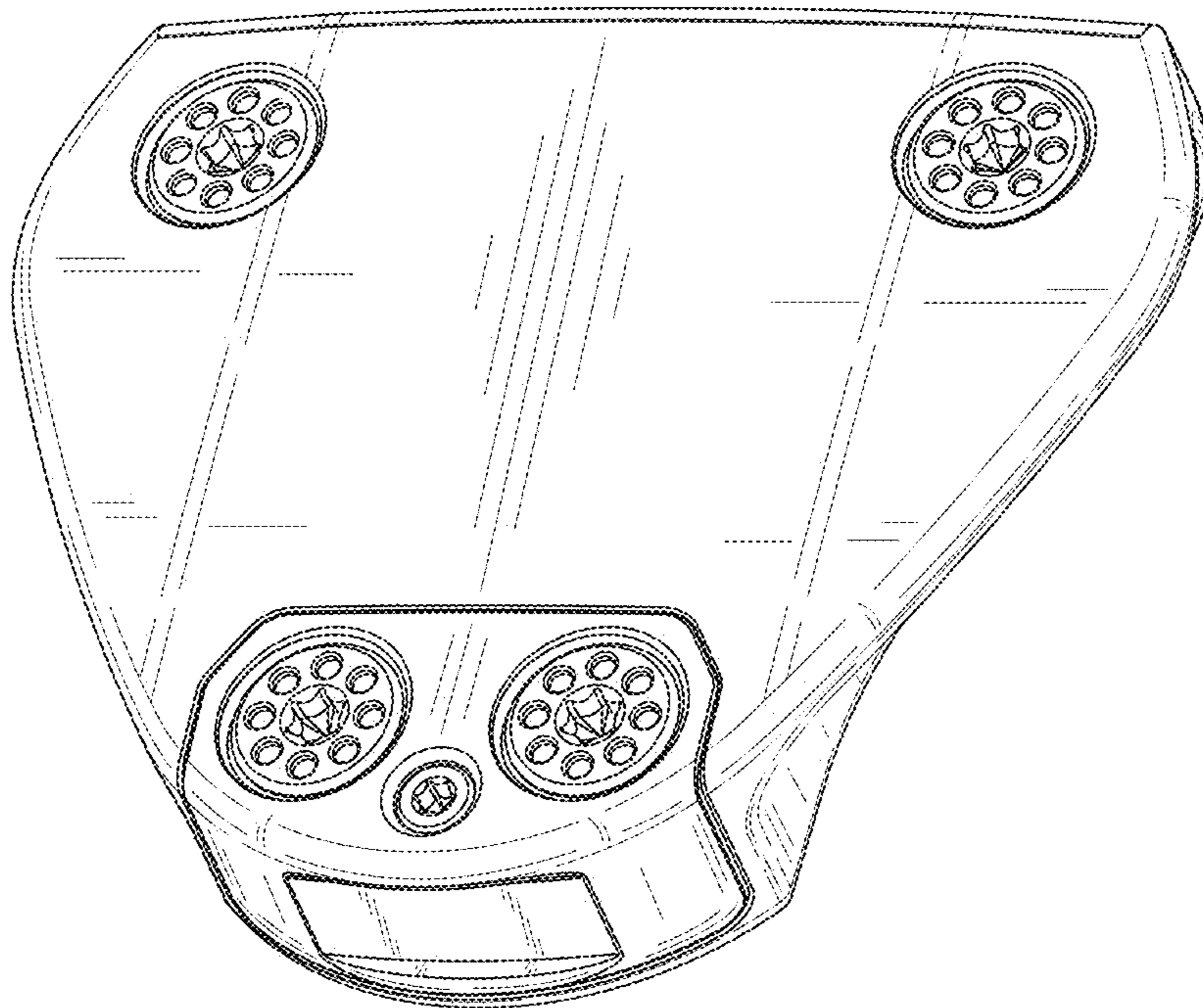


FIG. 2

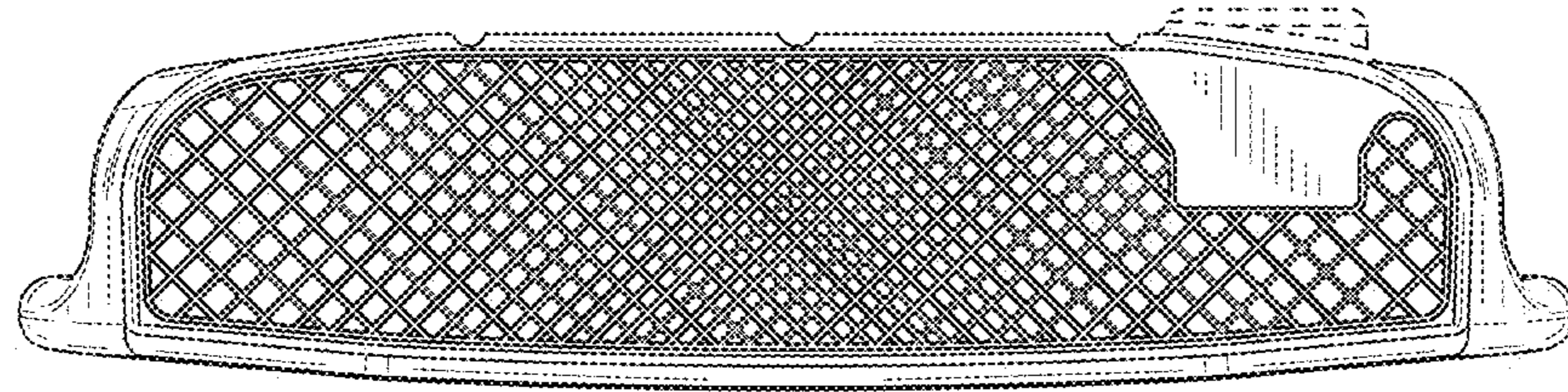


FIG. 3

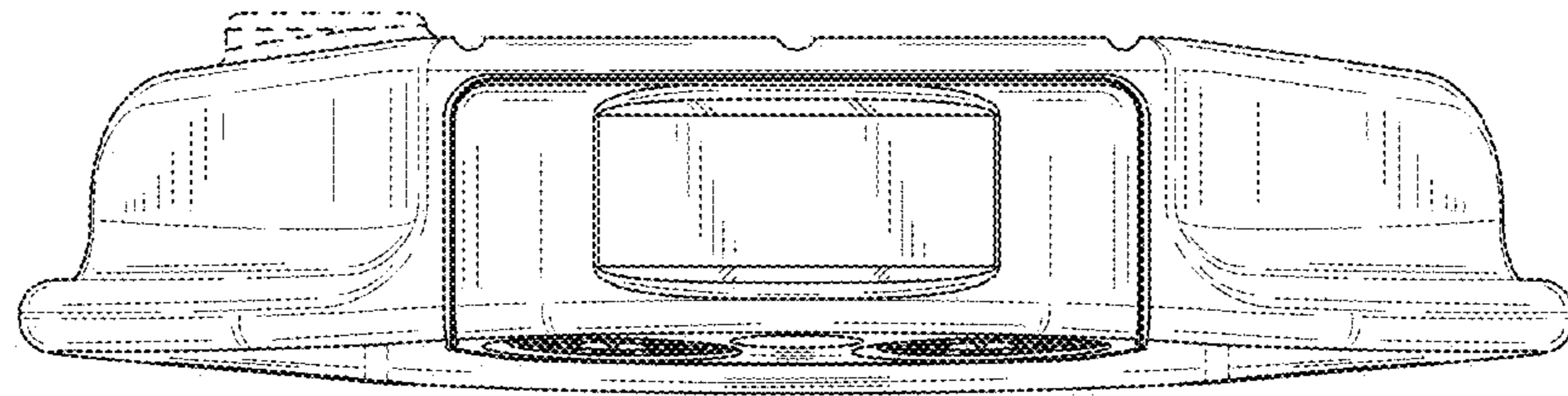


FIG. 4

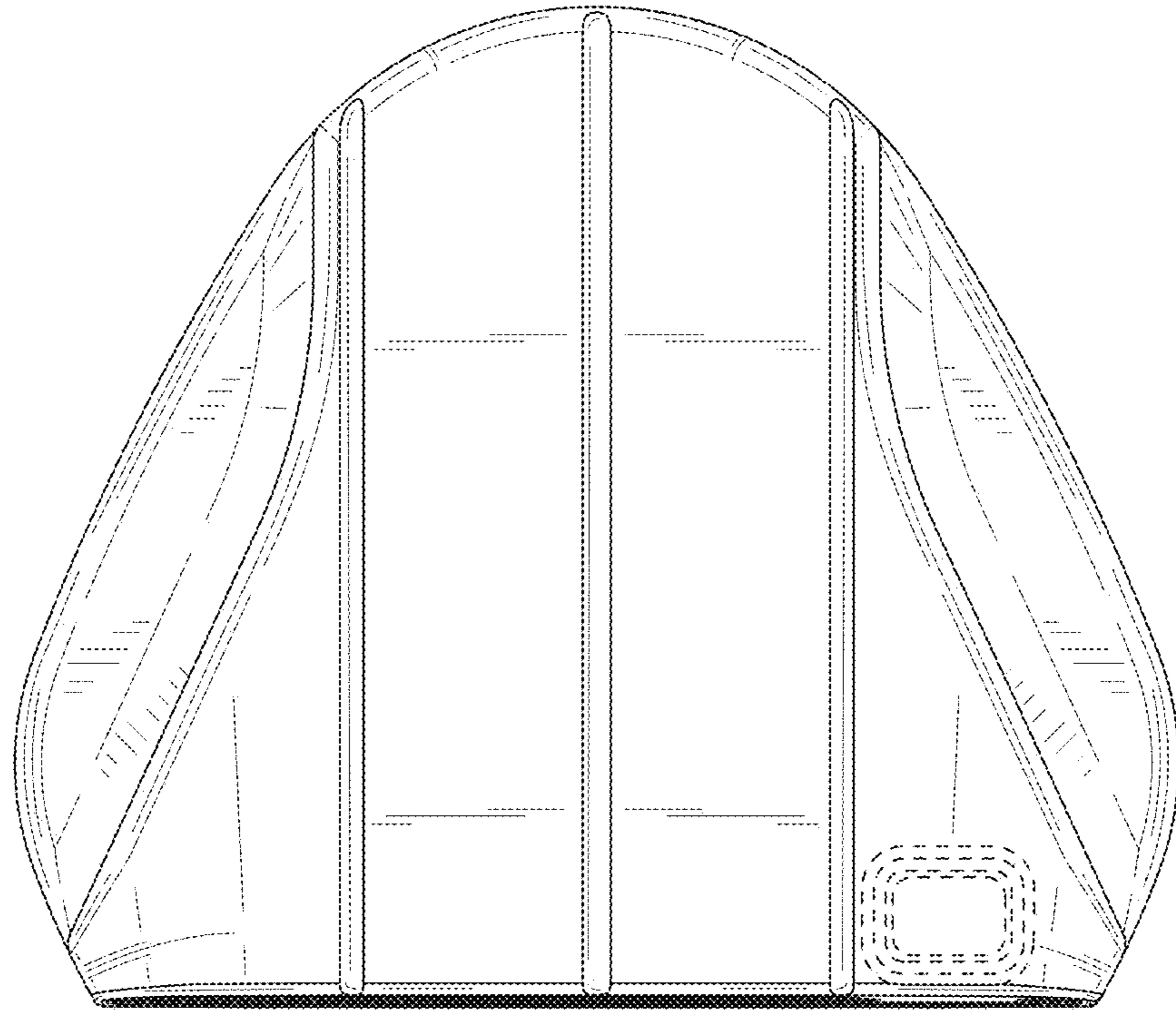


FIG. 5

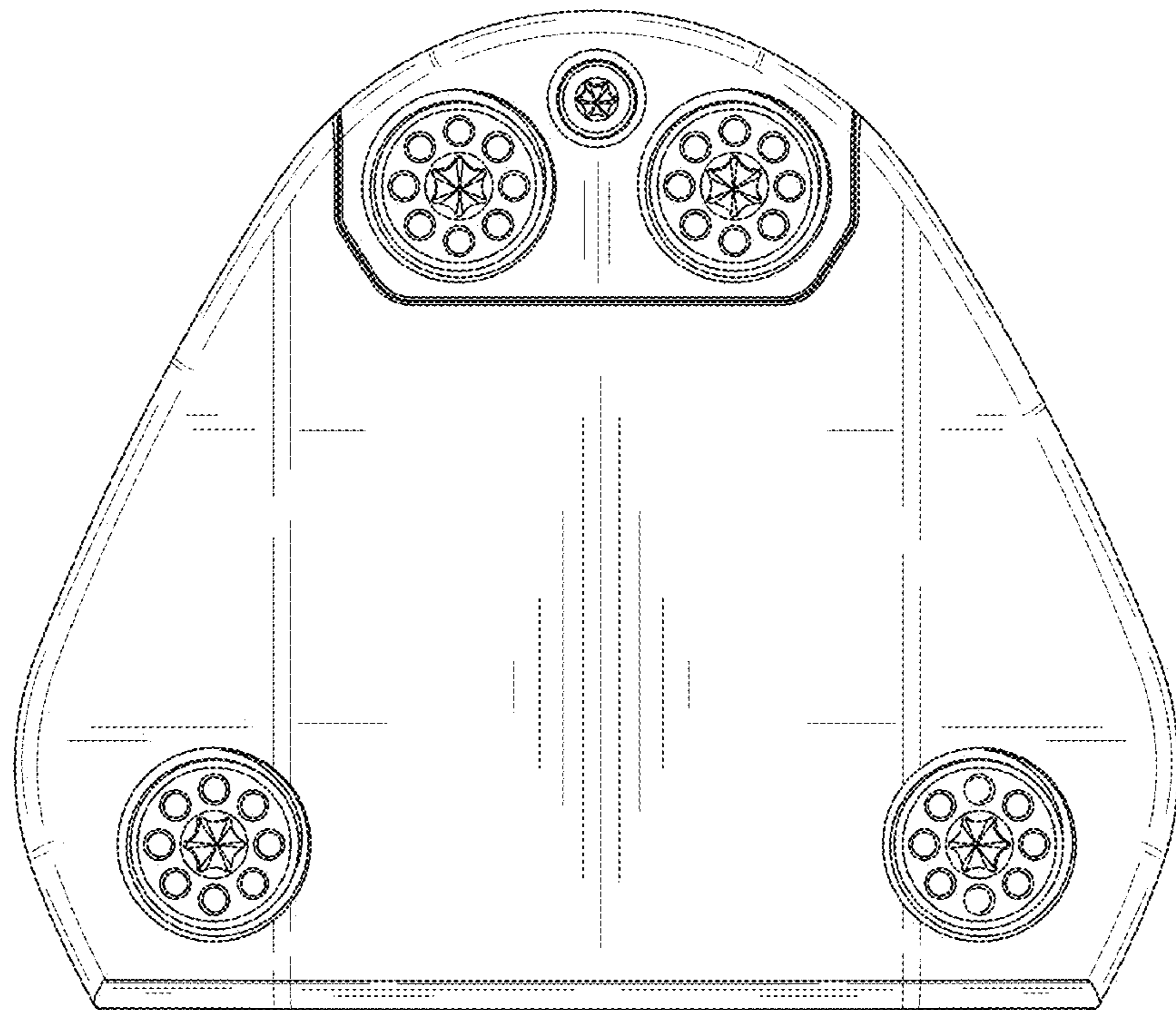


FIG. 6

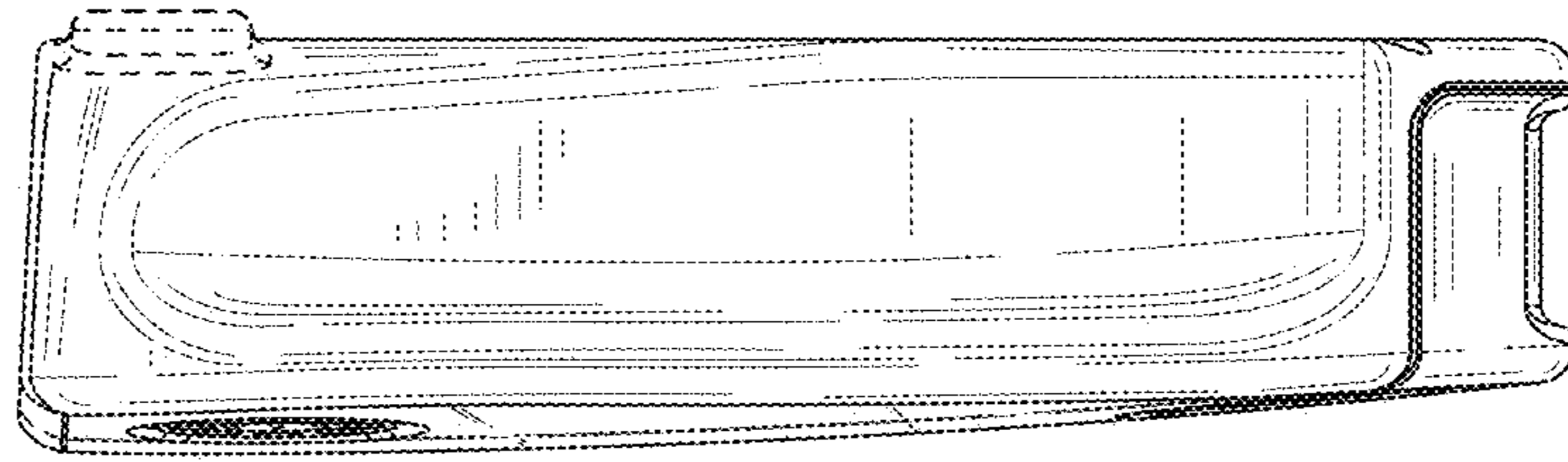


FIG. 7

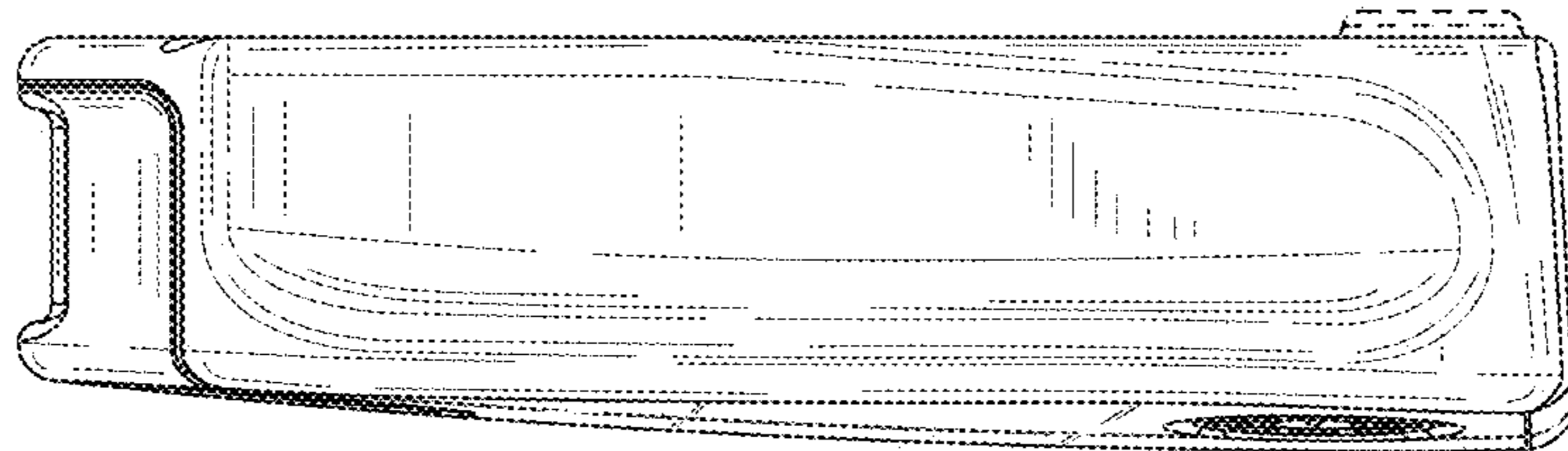


FIG. 8

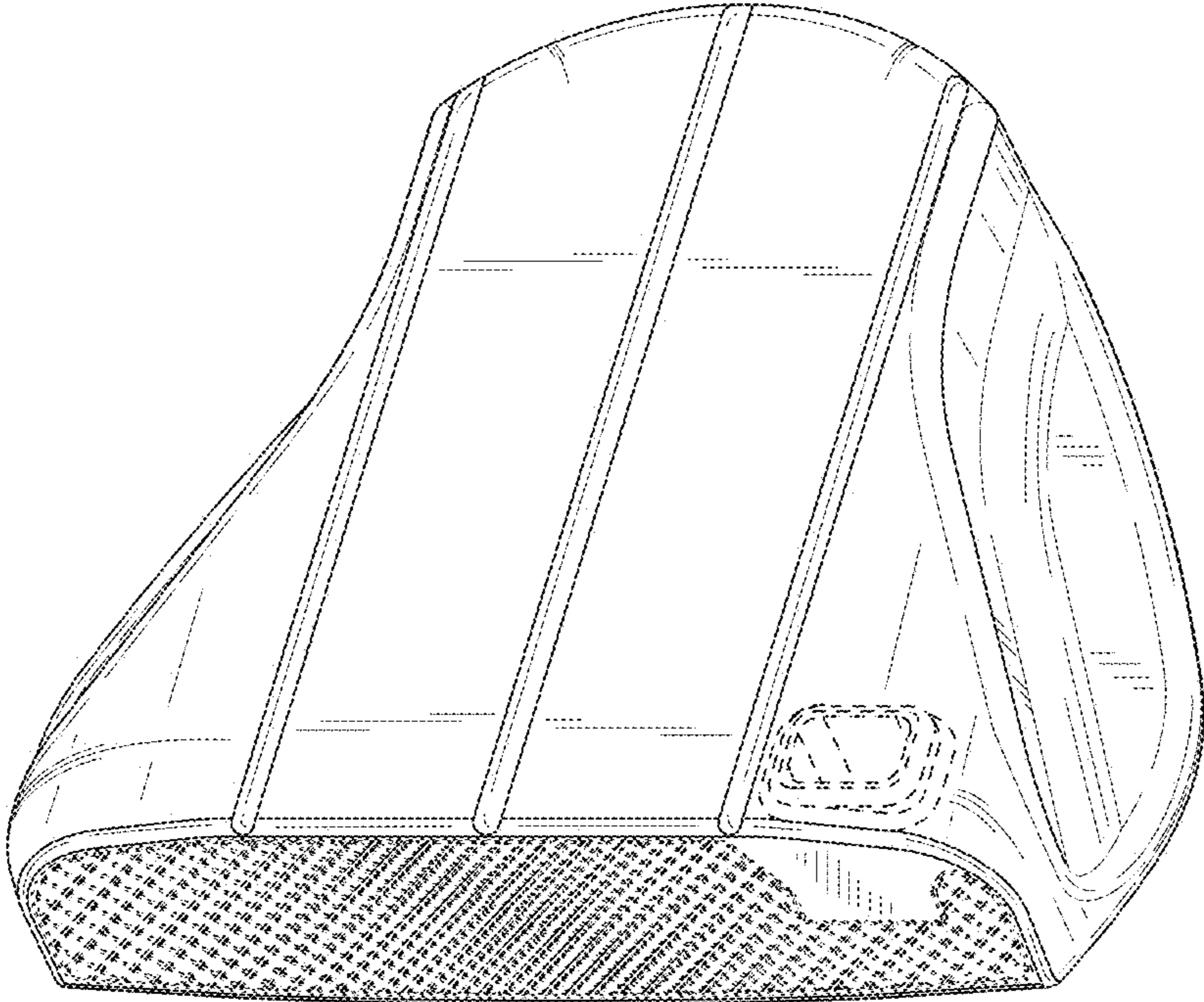


FIG. 9

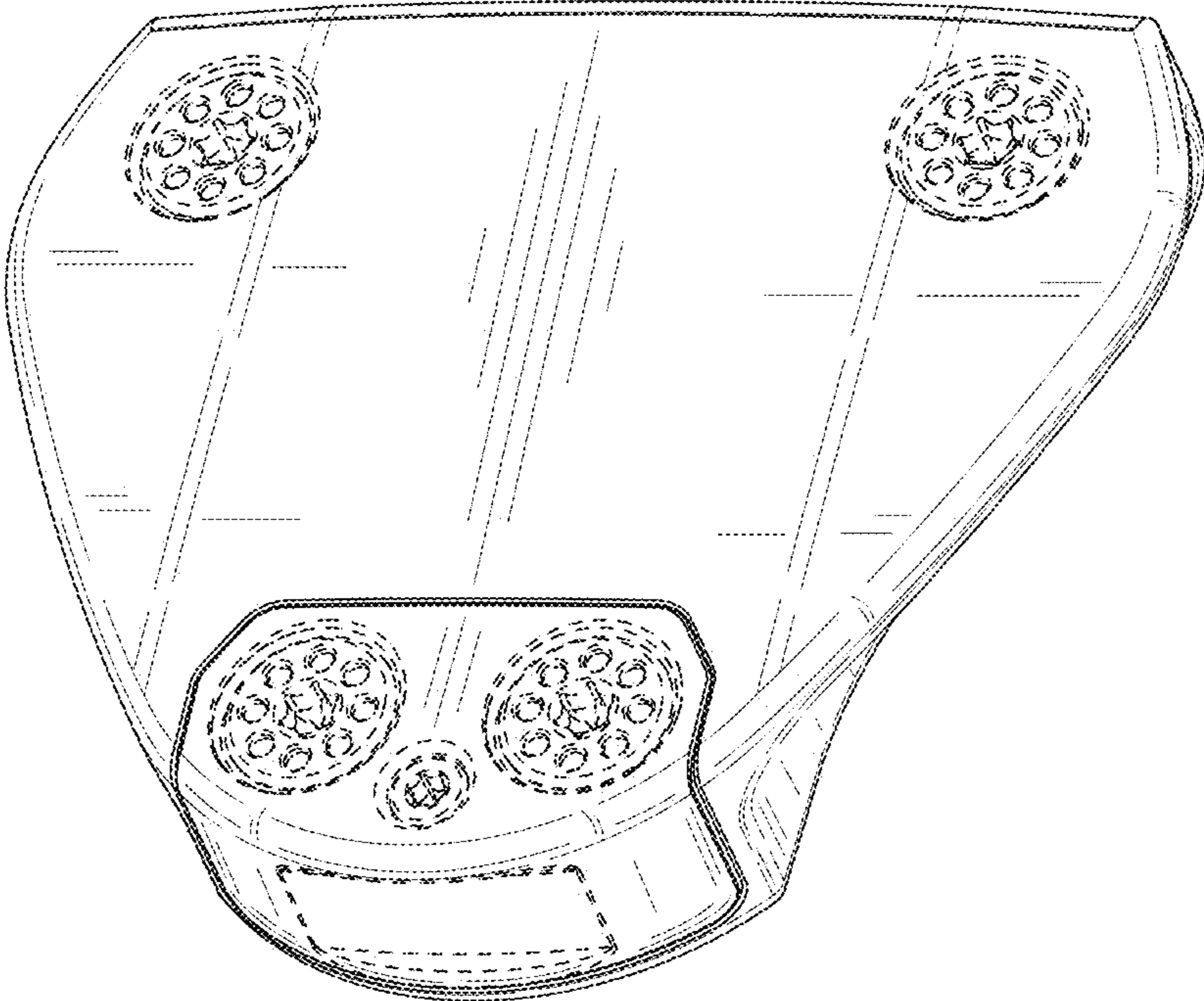


FIG. 10

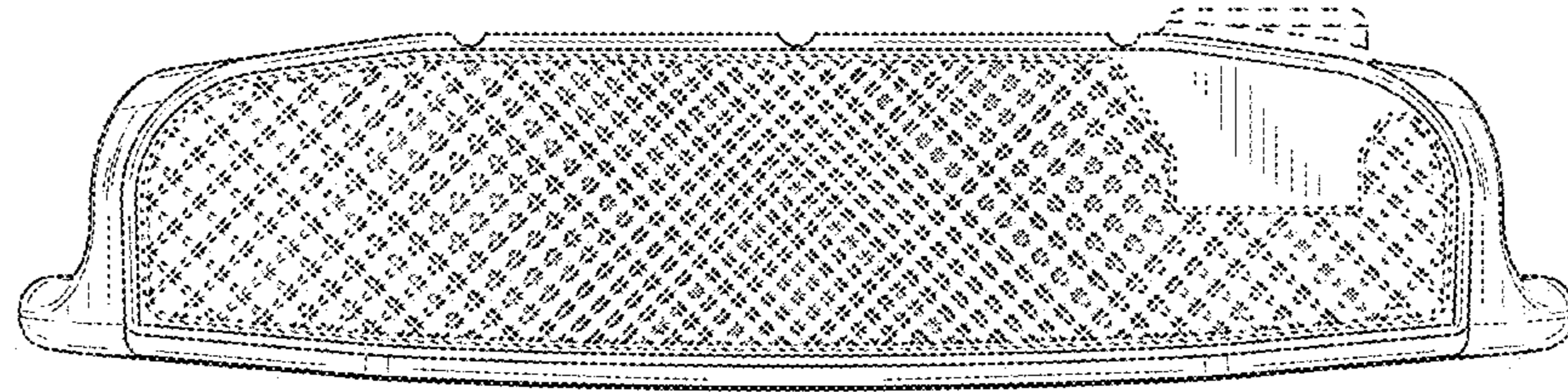


FIG. 11

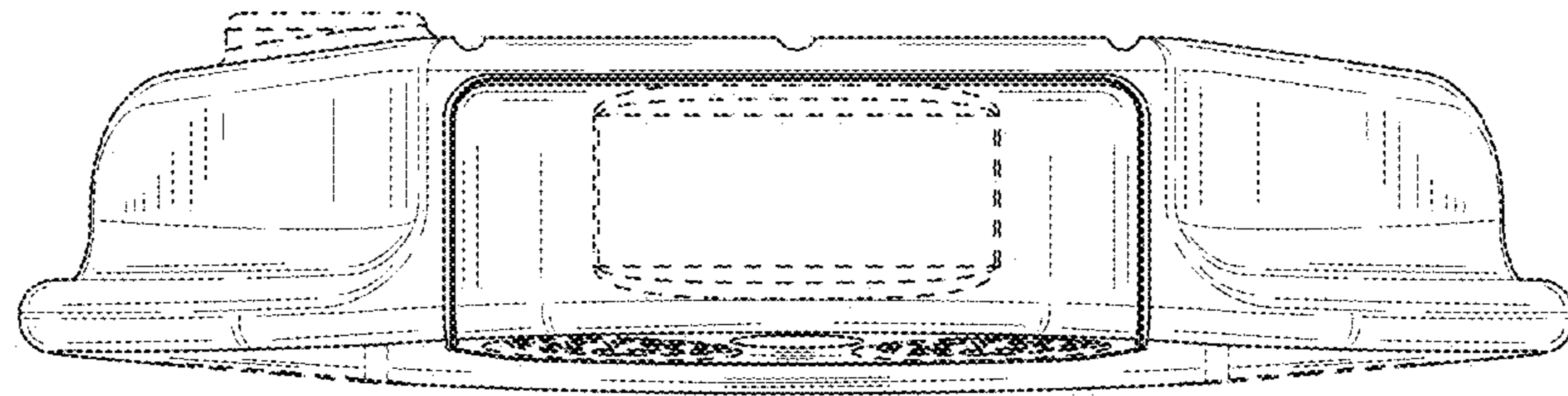


FIG. 12

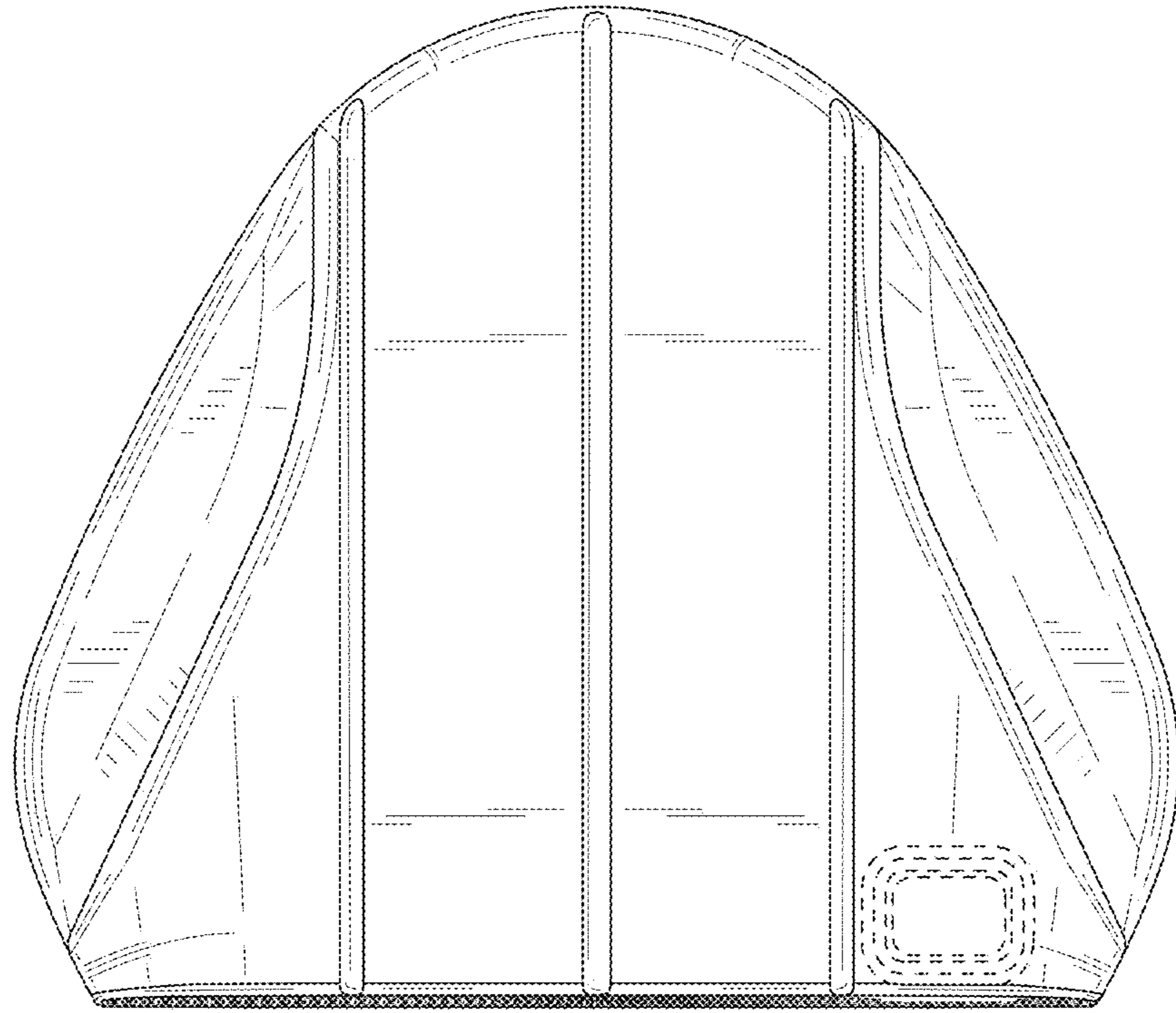


FIG. 13

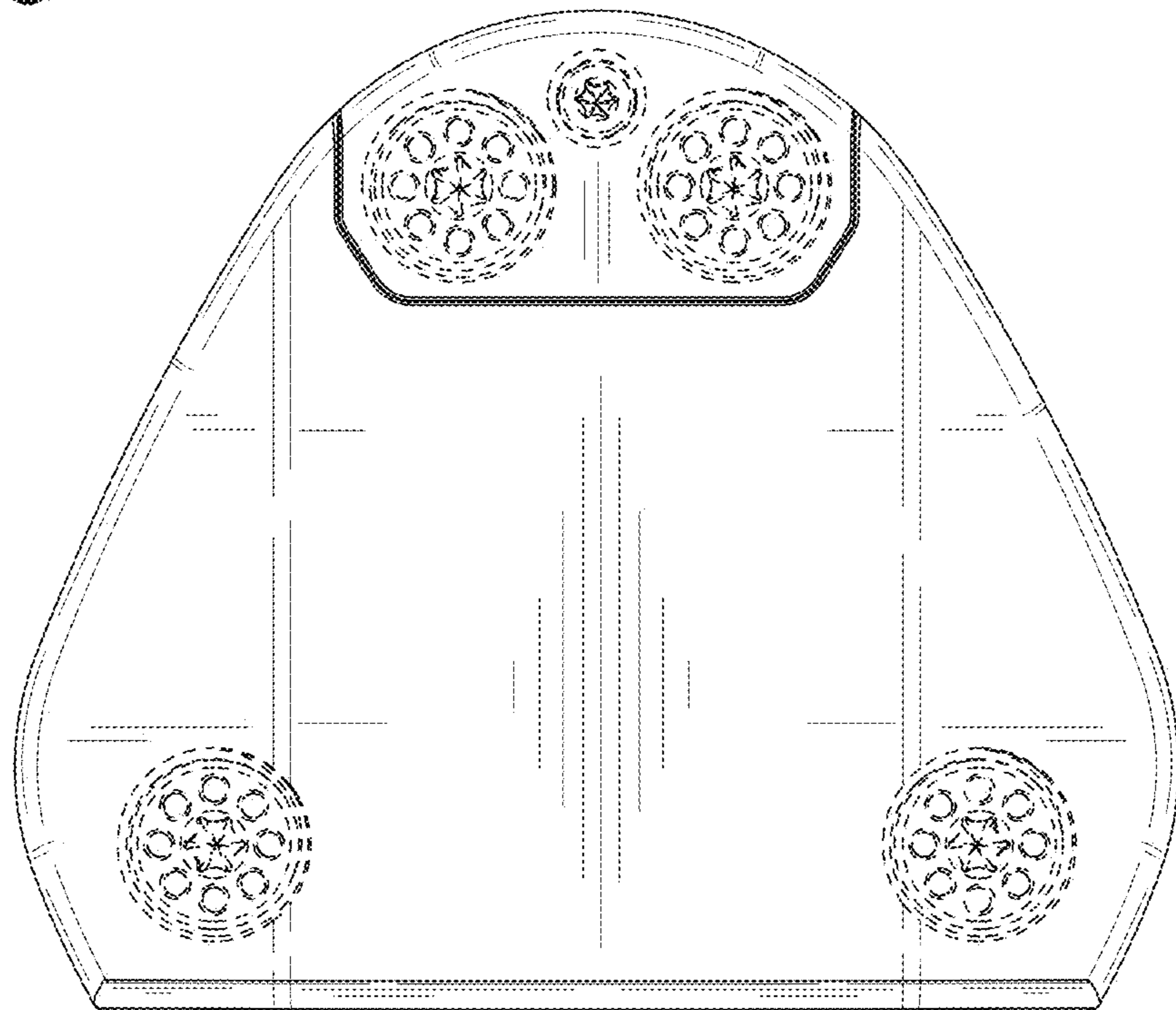


FIG. 14

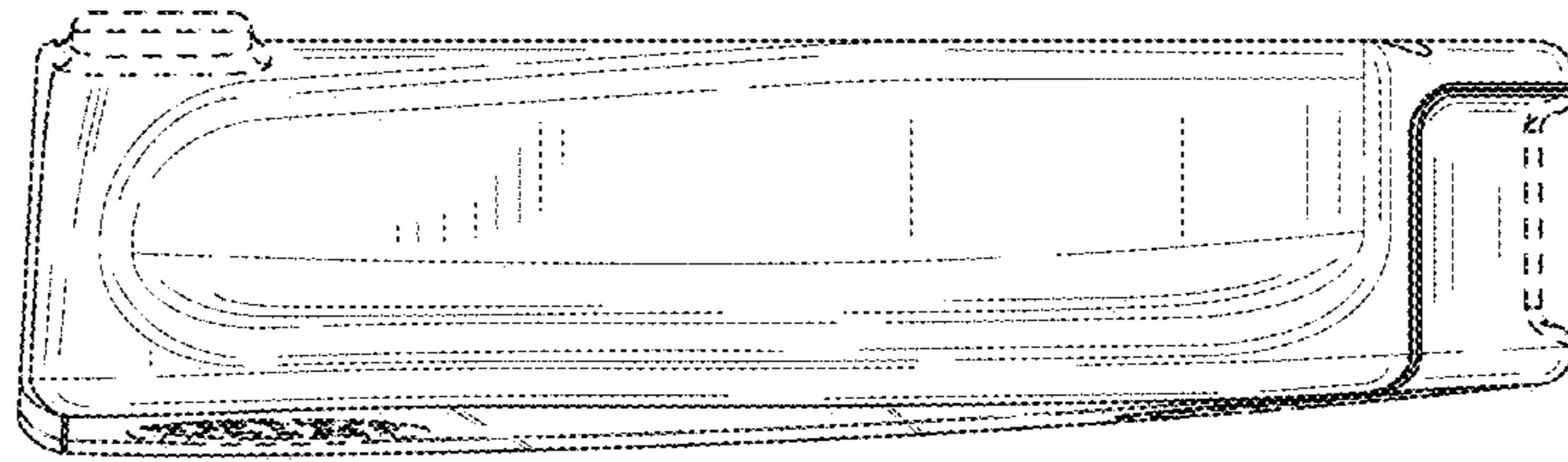


FIG. 15

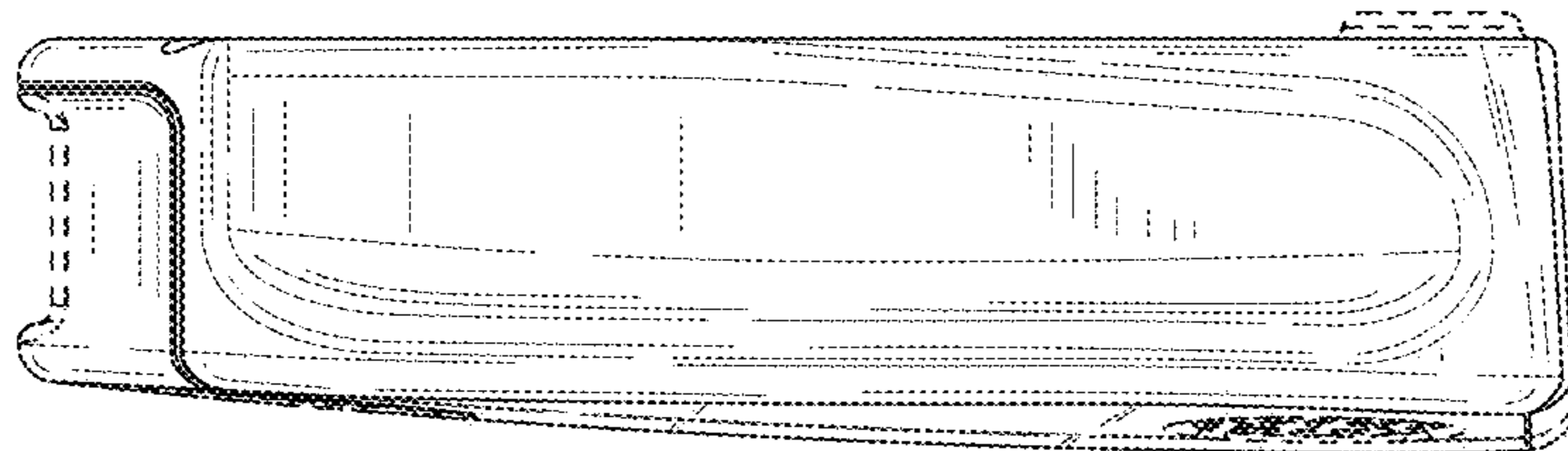


FIG. 16