



US00D990554S

(12) **United States Design Patent**
Maeshima et al.

(10) **Patent No.:** **US D990,554 S**
(45) **Date of Patent:** **** Jun. 27, 2023**

- (54) **TONER CONTAINER**
- (71) Applicant: **KYOCERA DOCUMENT SOLUTIONS INC.**, Osaka (JP)
- (72) Inventors: **Masanobu Maeshima**, Osaka (JP);
Masahiro Kashimoto, Osaka (JP);
Yuzo Onishi, Osaka (JP)
- (73) Assignee: **KYOCERA DOCUMENT SOLUTIONS INC.**, Osaka (JP)
- (**) Term: **15 Years**
- (21) Appl. No.: **29/747,753**
- (22) Filed: **Aug. 25, 2020**
- (51) **LOC (14) Cl.** **16-03**
- (52) **U.S. Cl.**
USPC **D18/43**
- (58) **Field of Classification Search**
USPC D9/631, 708; D14/218, 314, 341, 346,
D14/356, 432; D18/18, 40, 43, 56
CPC G03G 2221/1648; G03G 2215/0668; Y10S
222/01
See application file for complete search history.

- D750,971 S * 3/2016 Takagiwa D9/708
 - D751,848 S * 3/2016 Price D9/708
 - D769,129 S * 10/2016 Patterson D9/708
 - D777,250 S * 1/2017 Wada D18/56
 - D814,315 S * 4/2018 Bell D9/708
- (Continued)

FOREIGN PATENT DOCUMENTS

- CA 105801 * 5/2005
- JP D1523399 * 5/2016

OTHER PUBLICATIONS

Kyocera WT-860 Waste Toner Container, Amazon.com, date published Mar. 14, 2012, date retrieved Aug. 4, 2022—29747745—
<https://amzn.to/3OSJSwM> (Year: 2012).*

(Continued)

Primary Examiner — Nicole C Shiflet
Assistant Examiner — Danielle Nichole Bowly
(74) *Attorney, Agent, or Firm* — Nixon & Vanderhye

(57) **CLAIM**

The ornamental design for a toner container, as shown and described.

DESCRIPTION

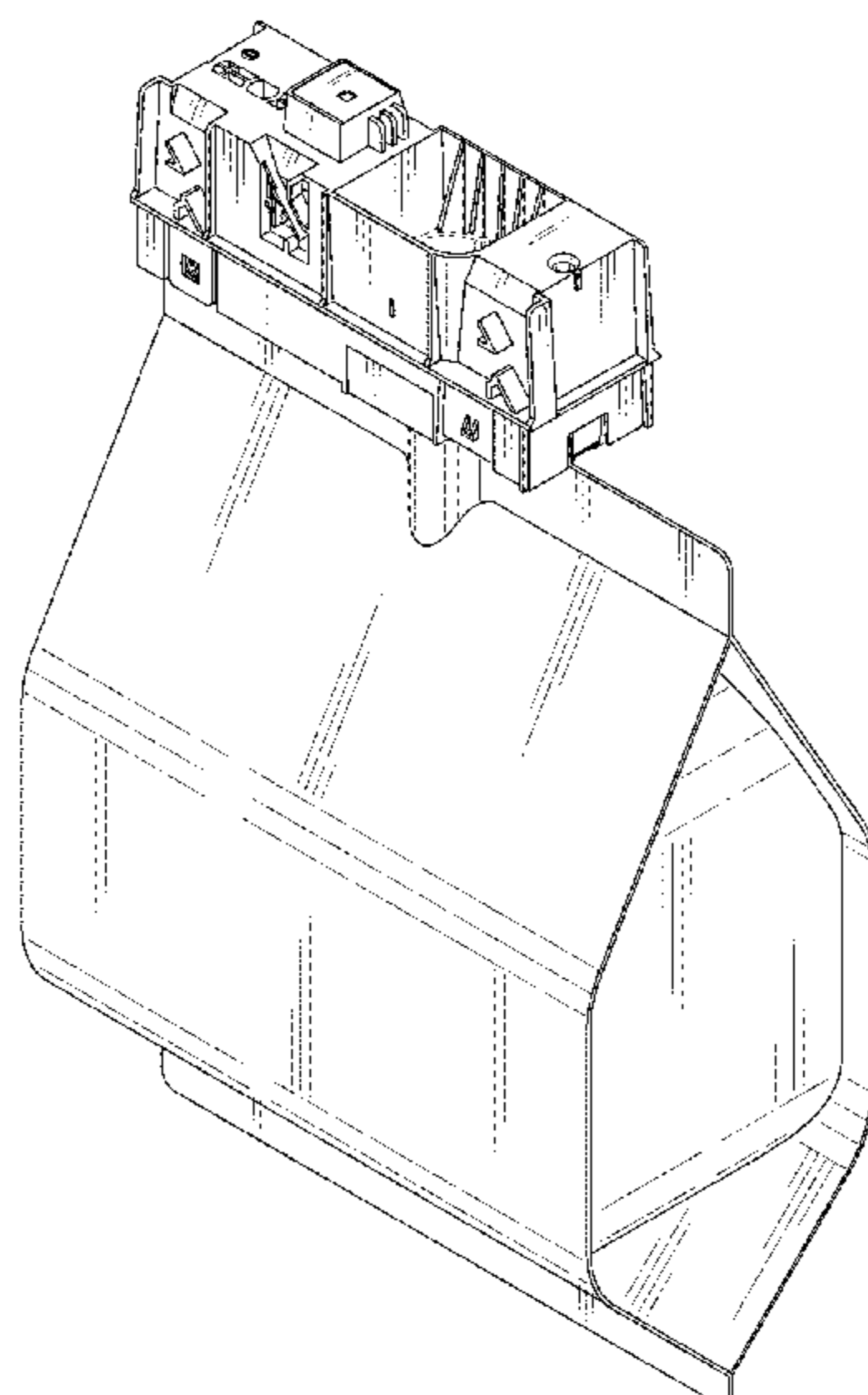
FIG. 1 is a front perspective view of front, top and right side of a toner container showing our new design;
FIG. 2 is a rear perspective view of rear, top and left side thereof;
FIG. 3 is a front view thereof;
FIG. 4 is a rear view thereof;
FIG. 5 is a left side view thereof;
FIG. 6 is a right side view thereof;
FIG. 7 is a top plan view thereof; and,
FIG. 8 is a bottom plan view thereof.
The broken lines shown in the figures depict portions that form no part of the claimed design.

1 Claim, 7 Drawing Sheets

(56) **References Cited**

U.S. PATENT DOCUMENTS

- 3,473,703 A * 10/1969 Lippincott B65D 75/5866
222/215
- D368,275 S * 3/1996 Sakurai D18/56
- D388,168 S * 12/1997 Barney D9/708
- D513,417 S * 1/2006 Ishizawa 347/86
- D528,011 S * 9/2006 Ueda D9/708
- D551,289 S * 9/2007 Otsuka 347/86
- D570,405 S * 6/2008 Otsuka 347/86
- D633,141 S * 2/2011 Deng D18/56
- D660,720 S * 5/2012 Umenaka D9/708
- D665,018 S * 8/2012 Hatch D18/56
- D711,749 S * 8/2014 Kim D9/709
- D722,642 S * 2/2015 Wada D18/56
- D723,938 S * 3/2015 Karasawa D9/708



(56)

References Cited

U.S. PATENT DOCUMENTS

D860,003 S * 9/2019 Wiesman D9/708
2005/0286936 A1 * 12/2005 Huang G03G 15/0874
399/262

OTHER PUBLICATIONS

Kyocera Waste Toner Container, Amazon.com, date published Aug. 12, 2014, date retrieved Aug. 4, 2022—29747745—<https://www.amazon.com/Kyocera-Waste-Toner-Container-302F994091/dp/B007LHTSOY> (Year: 2014).*

* cited by examiner

FIG. 1

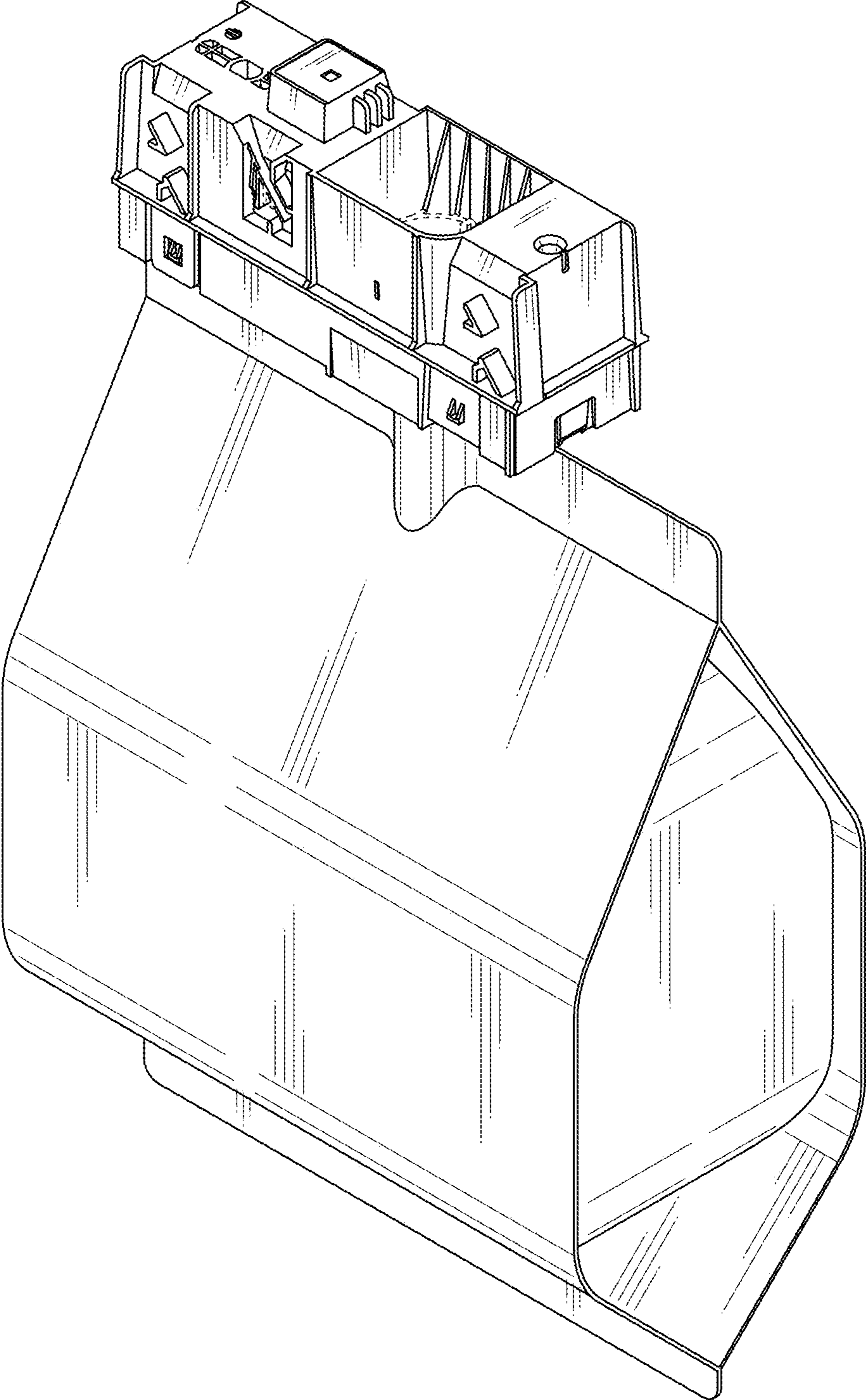


FIG. 2

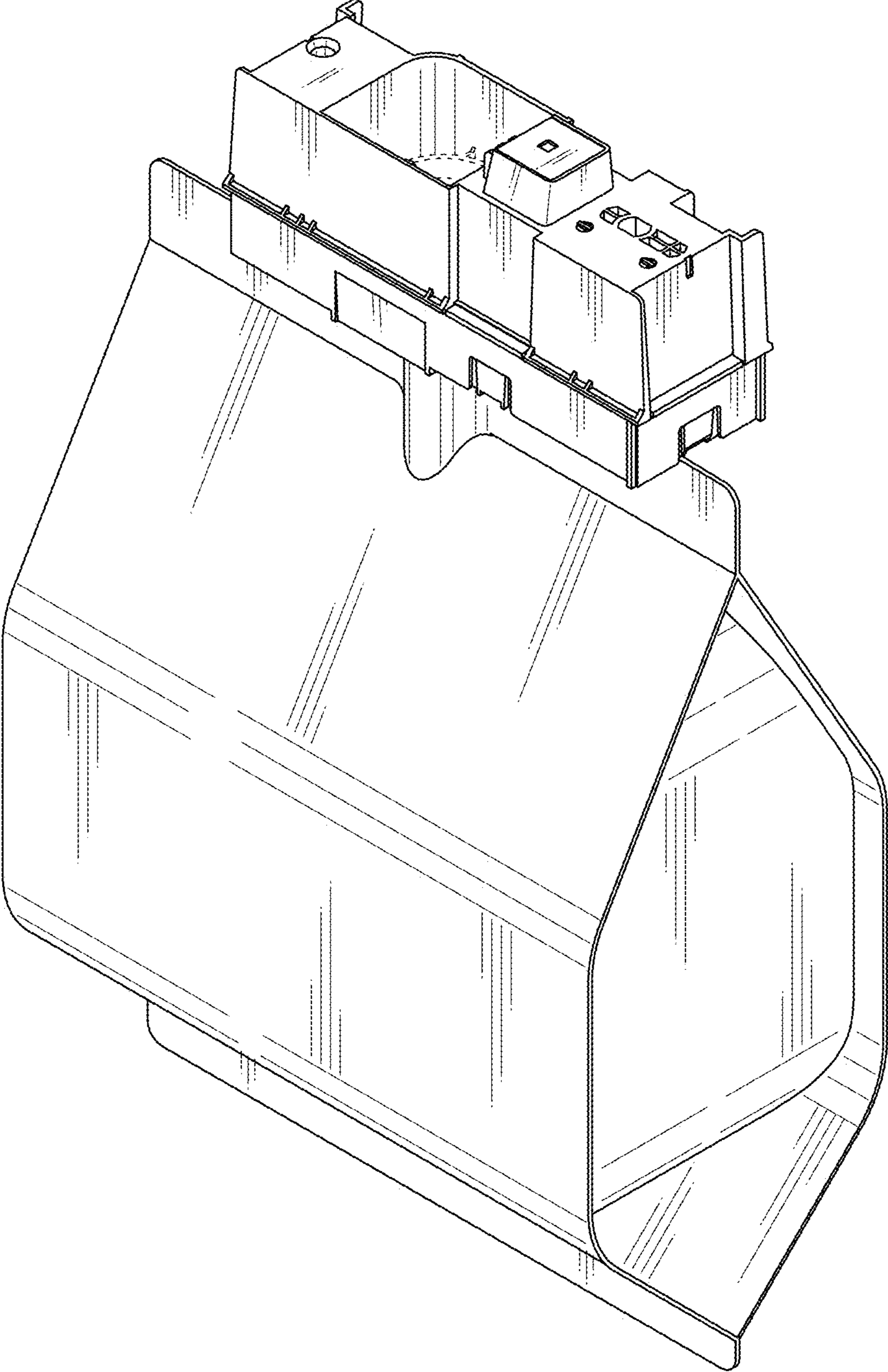


FIG. 3

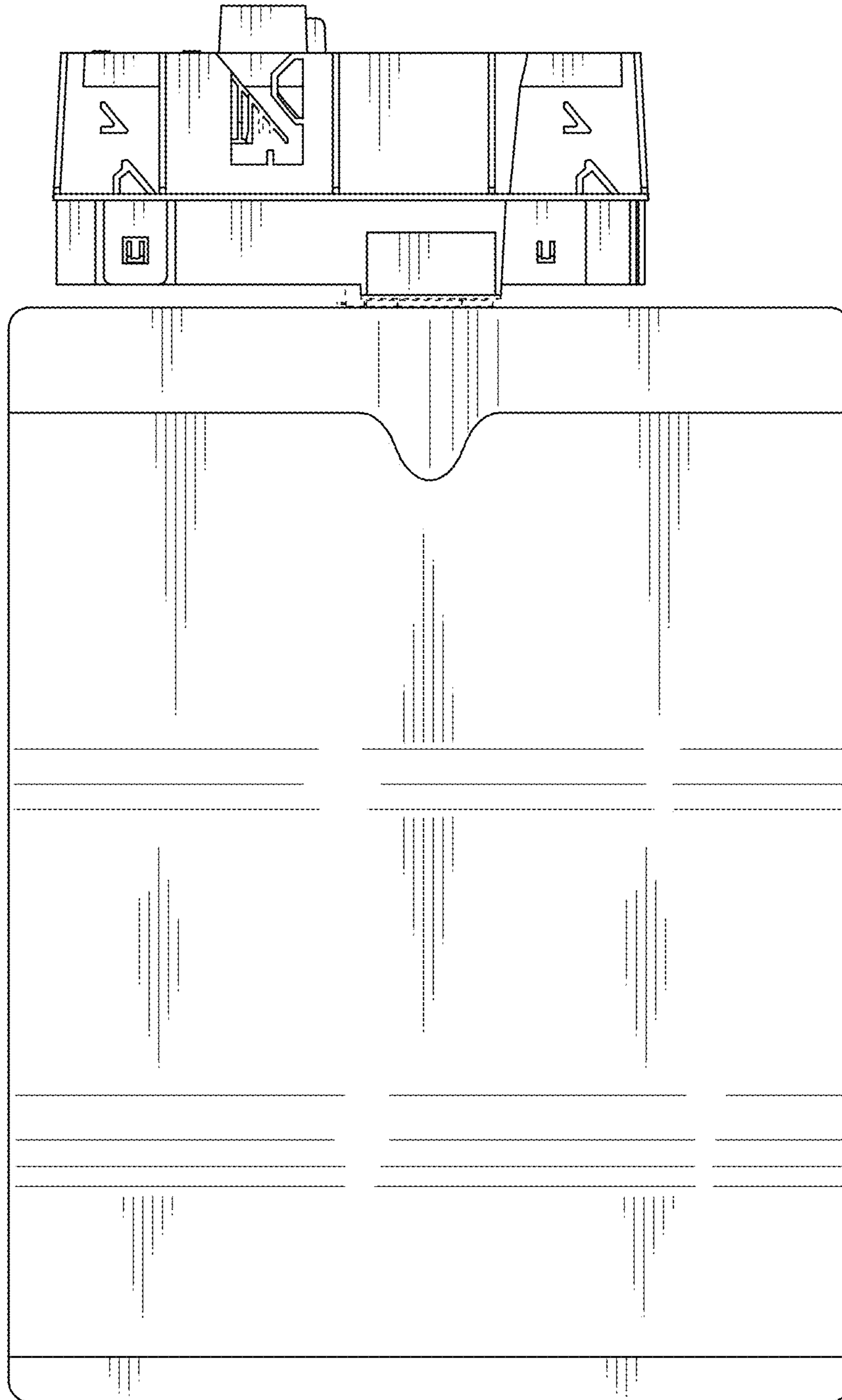


FIG. 4

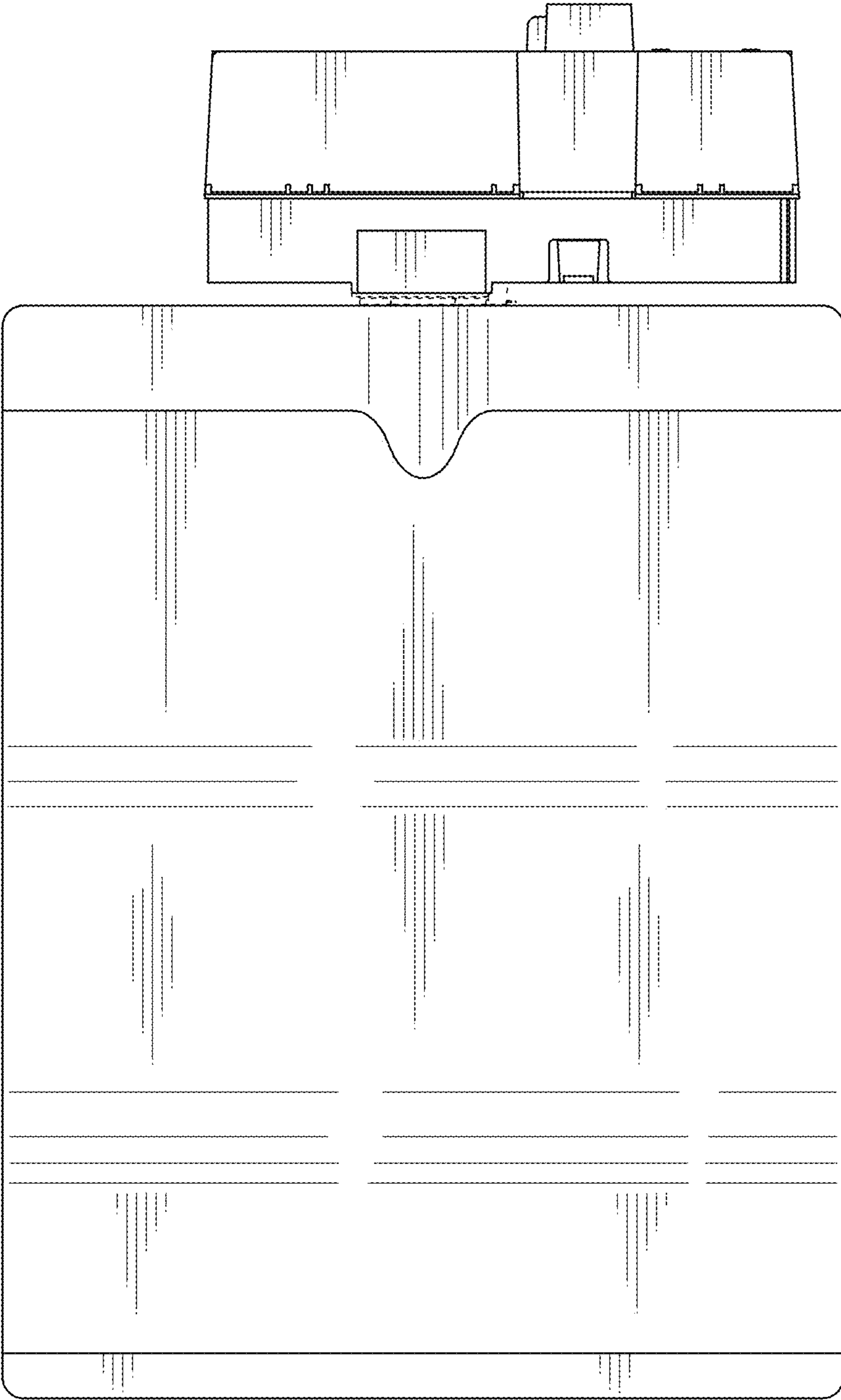


FIG. 5

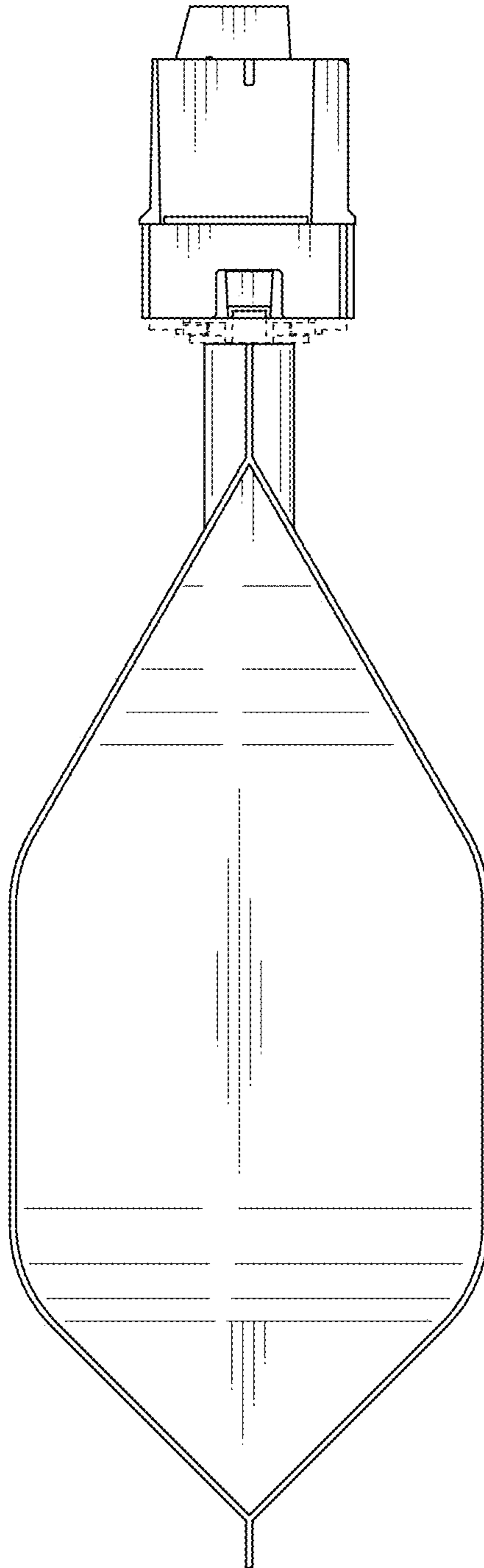


FIG. 6

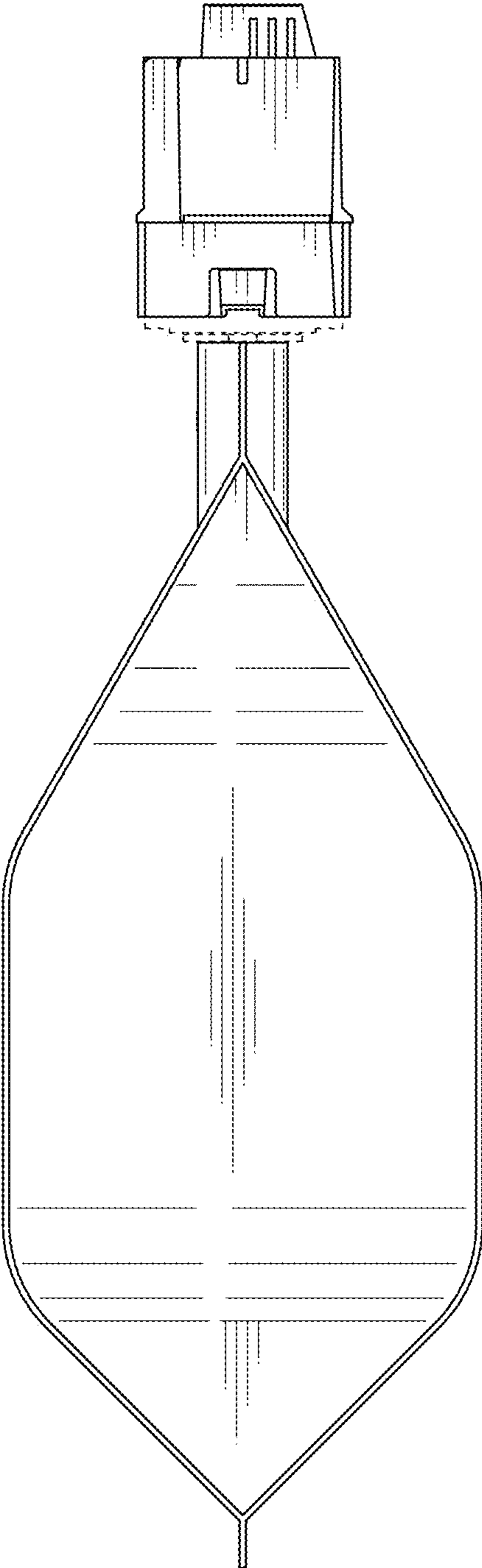


FIG. 7

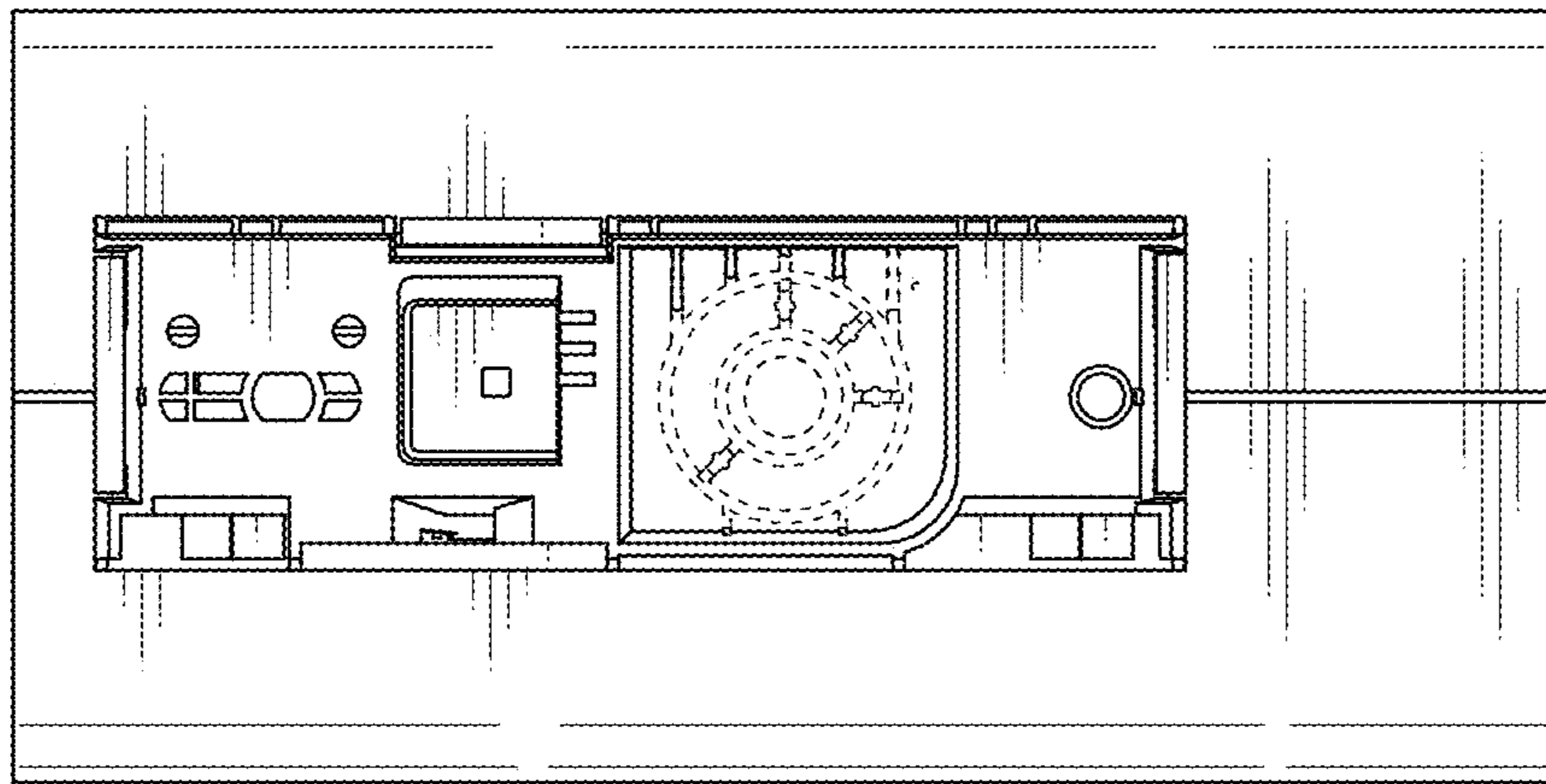


FIG. 8

