



US00D990479S

(12) **United States Design Patent** (10) **Patent No.:** **US D990,479 S**
Edmonds, III et al. (45) **Date of Patent:** **** Jun. 27, 2023**

(54) **MOBILE COMPUTING DEVICE MOUNTING BRACKET**

D937,278 S * 11/2021 Balch D14/447
D944,625 S * 3/2022 Wu D8/349
D974,331 S * 1/2023 Lu D8/321

(71) Applicant: **United States Postal Service,**
Washington, DC (US)

* cited by examiner

(72) Inventors: **Dean S. Edmonds, III,** Great Falls, VA (US); **David S. Dao,** Annandale, VA (US); **William Carter, II,** Front Royal, VA (US); **Daniel J. Widdershoven,** Alexandria, VA (US); **David William Cerutti,** Alexandria, VA (US)

Primary Examiner — Wendy L Arminio

Assistant Examiner — Carrie S Gelula

(74) *Attorney, Agent, or Firm* — Knobbe Martens Olson & Bear LLP

(73) Assignee: **United States Postal Service,**
Washington, DC (US)

(57) **CLAIM**

(**) Term: **15 Years**

The ornamental design for a mobile computing device mounting bracket, as shown and described.

(21) Appl. No.: **29/794,856**

(22) Filed: **Jun. 15, 2021**

(51) **LOC (14) Cl.** **14-02**

(52) **U.S. Cl.**
USPC **D14/447**

(58) **Field of Classification Search**
USPC ... D14/209.1, 217, 224, 253, 434, 447, 453;
D13/108; D19/75; D6/682; D8/380;
D21/333
CPC .. F16M 13/00; A47B 2023/049; A47B 23/04;
A47B 2220/0091
See application file for complete search history.

DESCRIPTION

FIG. 1 is a perspective view of a mobile computing device mounting bracket in accordance with the new design;
FIG. 2 is a front view thereof;
FIG. 3 is a back view thereof;
FIG. 4 is a left side view thereof;
FIG. 5 is a right side view thereof;
FIG. 6 is a top view thereof; and,
FIG. 7 is a bottom view thereof.

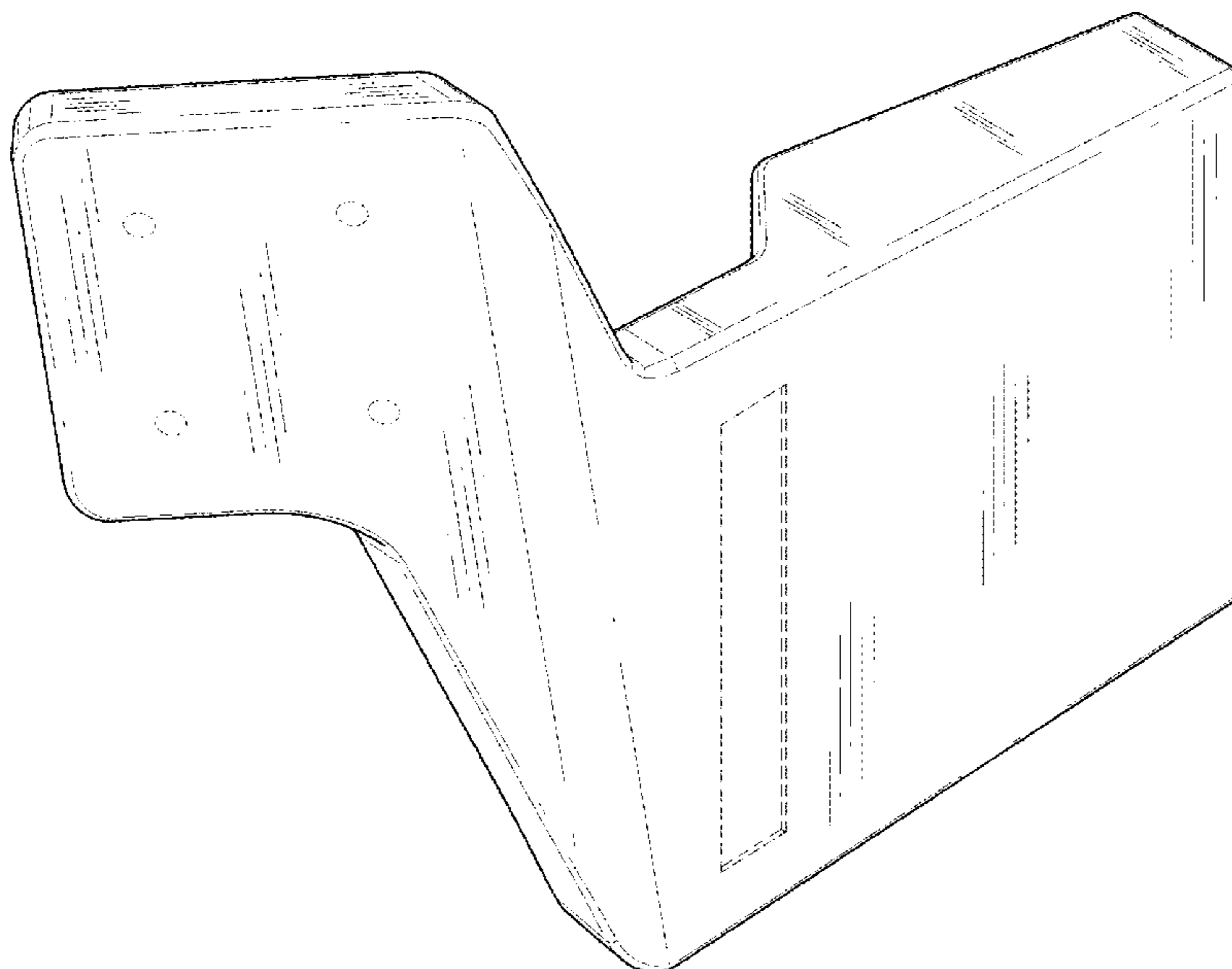
Broken lines are used to illustrate environmental structure and form no part of the claimed design.

(56) **References Cited**

U.S. PATENT DOCUMENTS

D707,687 S * 6/2014 White D14/453
D778,880 S * 2/2017 Belitz D14/224
D796,938 S * 9/2017 Rago D8/354
D877,637 S * 3/2020 Haag D14/447
D937,247 S * 11/2021 Laine D14/224

1 Claim, 5 Drawing Sheets



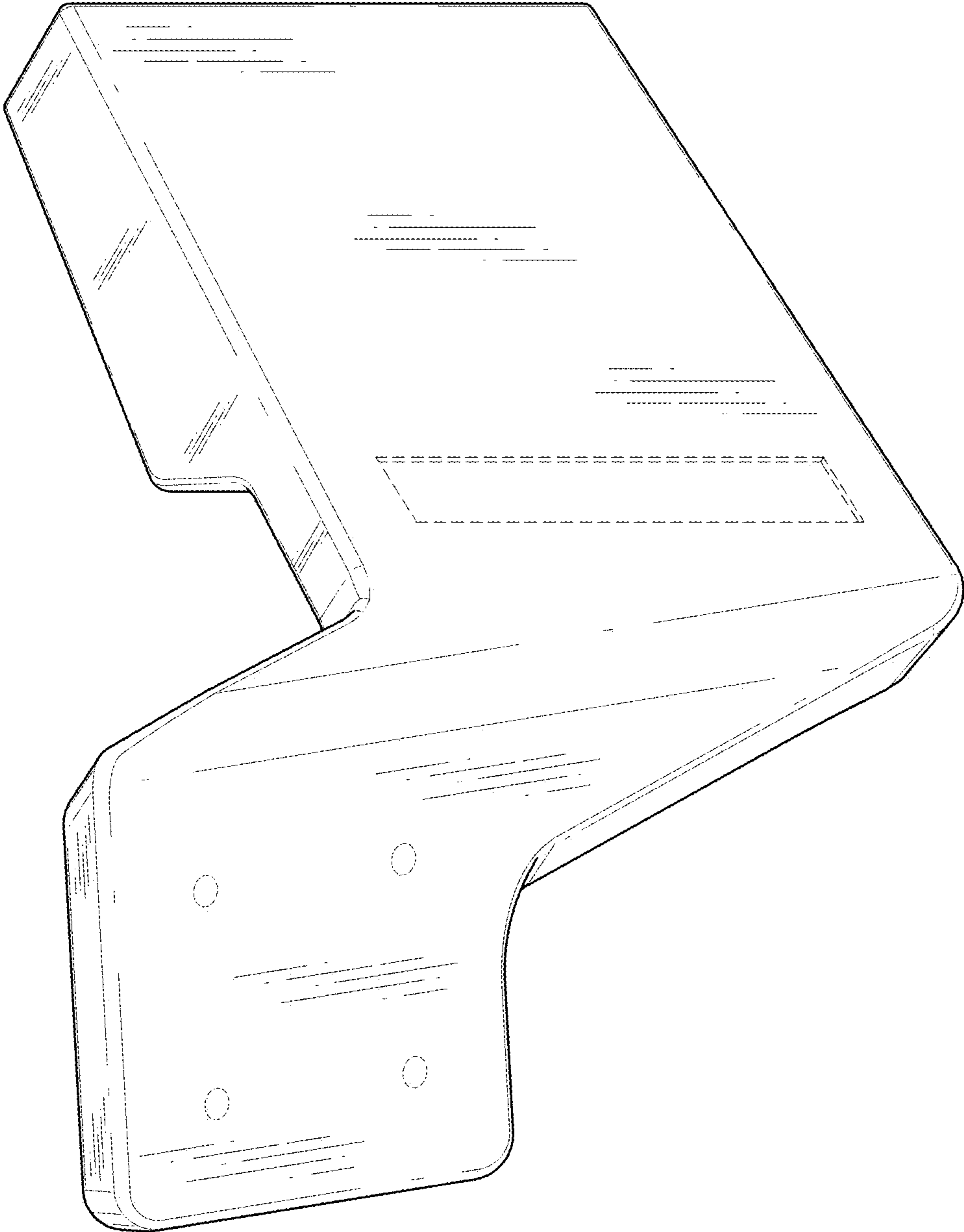


FIG. 1

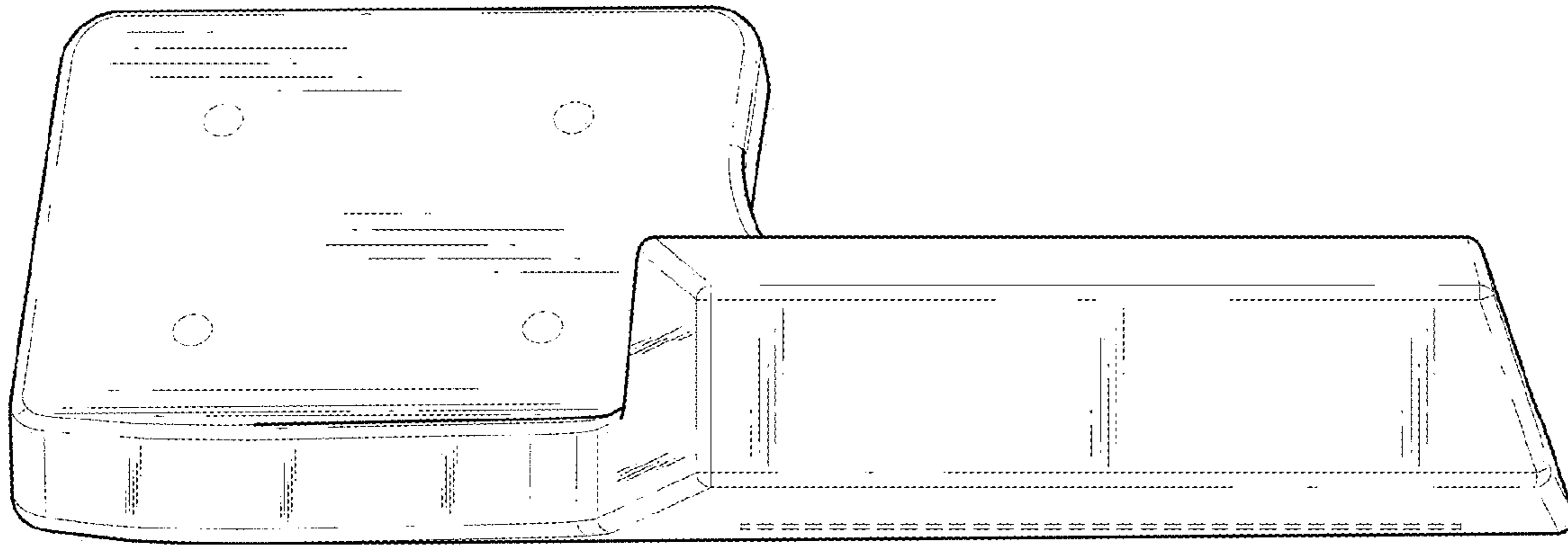


FIG. 3

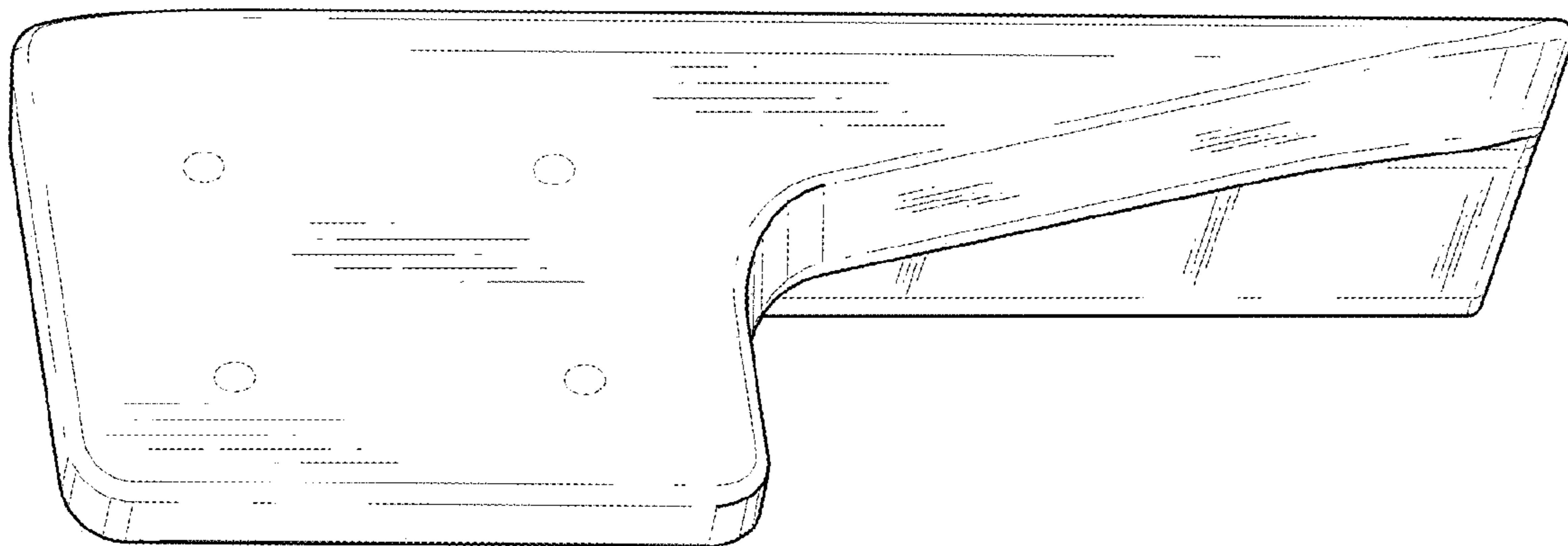


FIG. 2

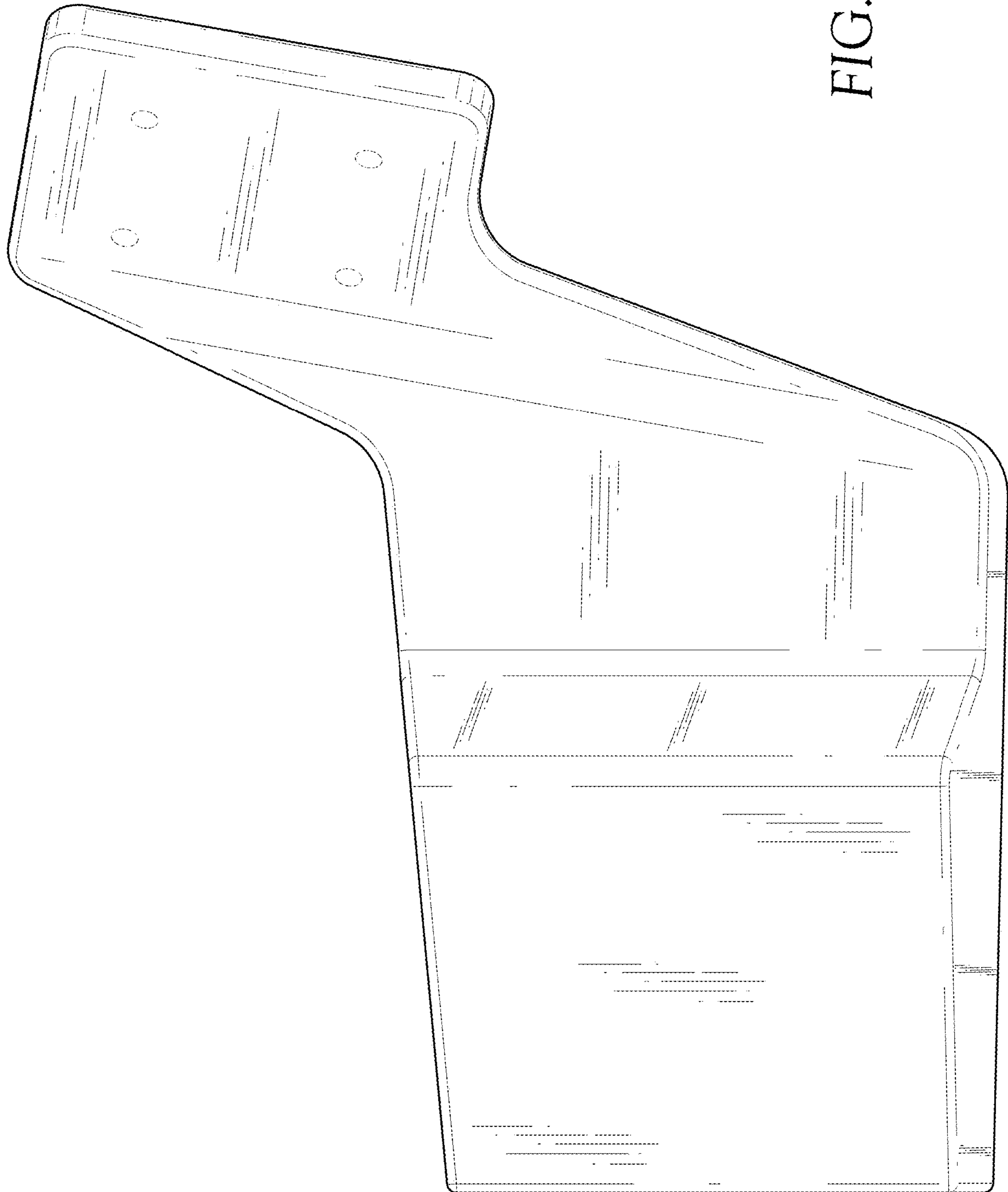


FIG. 4

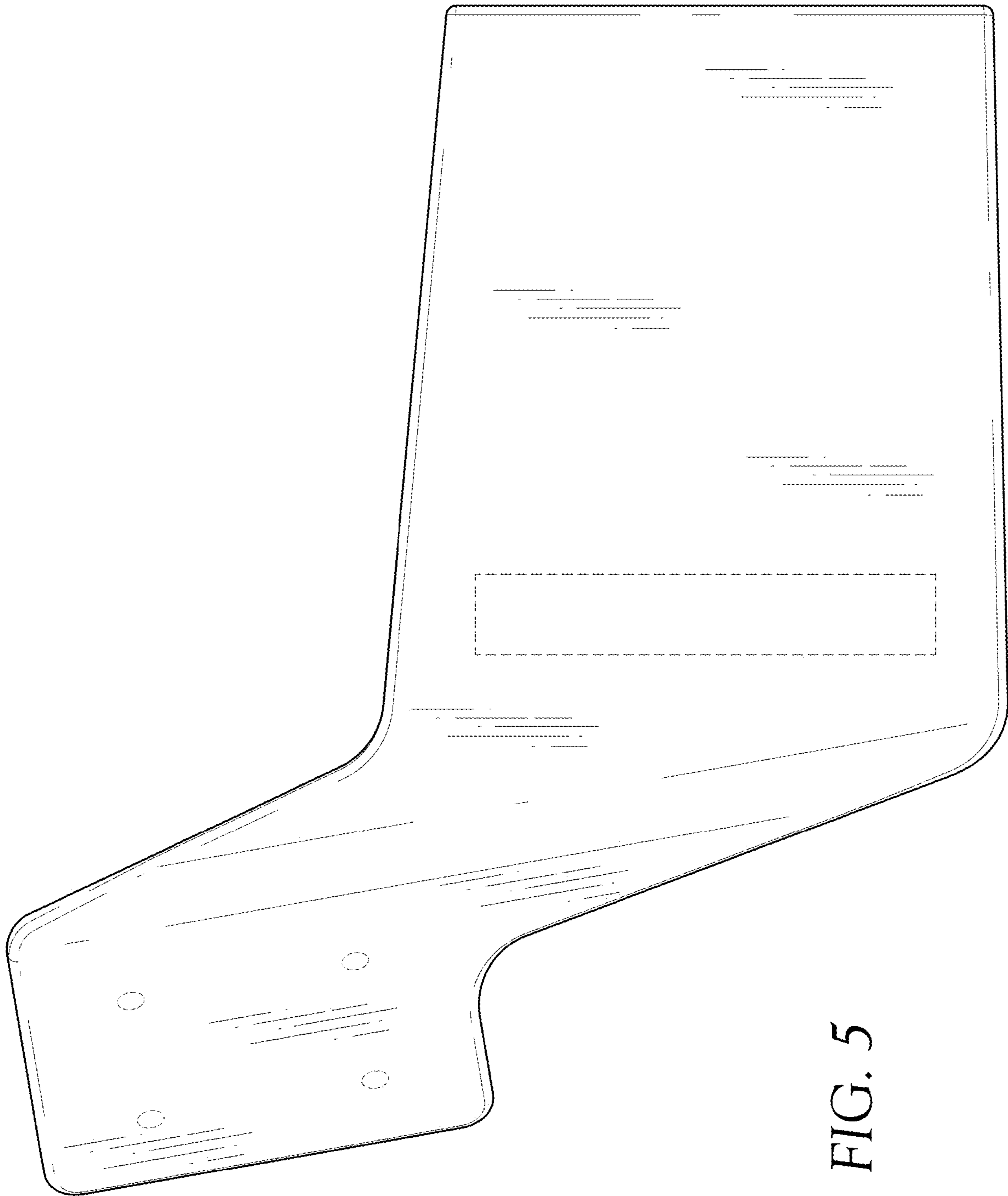


FIG. 5

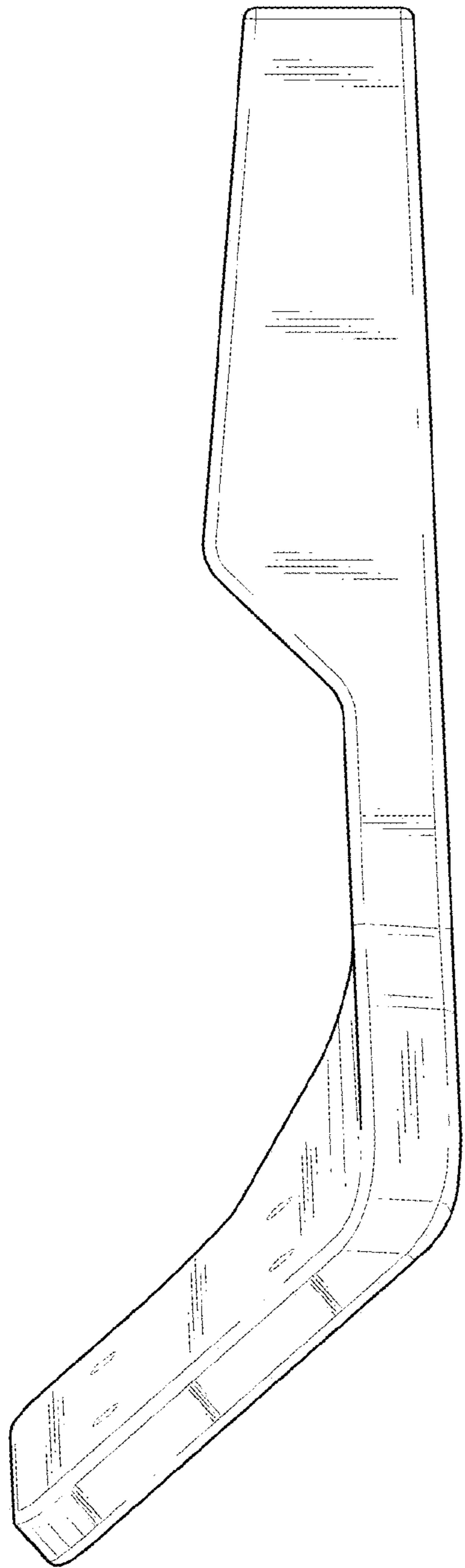


FIG. 6

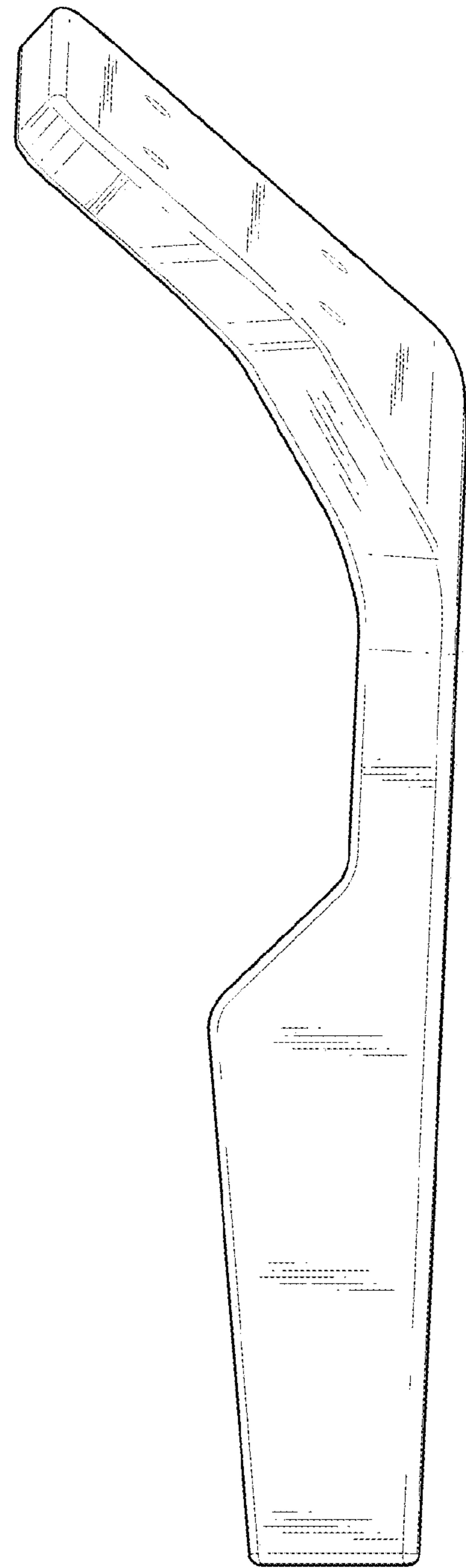


FIG. 7