



US00D990379S

(12) **United States Design Patent**
Scicluna

(10) **Patent No.:** **US D990,379 S**
(45) **Date of Patent:** **** Jun. 27, 2023**

- (54) **BICYCLE TRAILER**
- (71) Applicant: **All Better Creations LLC**,
Sacramento, CA (US)
- (72) Inventor: **Zachary Scicluna**, Sacramento, CA
(US)
- (73) Assignee: **ALL BETTER CREATIONS LLC**,
Sacramento, CA (US)
- (**) Term: **15 Years**
- (21) Appl. No.: **29/761,308**
- (22) Filed: **Dec. 8, 2020**
- (51) **LOC (14) Cl.** **12-11**
- (52) **U.S. Cl.**
USPC **D12/114; D12/101**
- (58) **Field of Classification Search**
USPC D12/114, 101-106; D21/425; D34/24
CPC B62D 63/061; B62D 63/062; B62D 39/00;
B62K 27/02; B62K 27/003; B62K 27/06;
B62K 27/12
See application file for complete search history.

D523,779 S *	6/2006	Mattila	D12/101
D619,504 S *	7/2010	Dabrowski	D12/101
7,850,185 B2 *	12/2010	Weng	B62K 27/006 224/400
D660,748 S *	5/2012	Cooley	D12/101
8,636,094 B1 *	1/2014	Conner	B62K 27/12 280/492
D746,177 S *	12/2015	Broen	D12/102
D863,111 S *	10/2019	Kern	D12/101
D869,993 S *	12/2019	Sagen	D12/101
D887,905 S *	6/2020	Fricke	D12/114
2007/0086851 A1 *	4/2007	Lu	B62K 27/12 403/230
2007/0290476 A1 *	12/2007	Chuang	B62K 27/12 280/204

* cited by examiner

Primary Examiner — Michelle E. Wilson
Assistant Examiner — Clese Moore, Jr.

(57) **CLAIM**

The ornamental design for a bicycle trailer, as shown and described.

DESCRIPTION

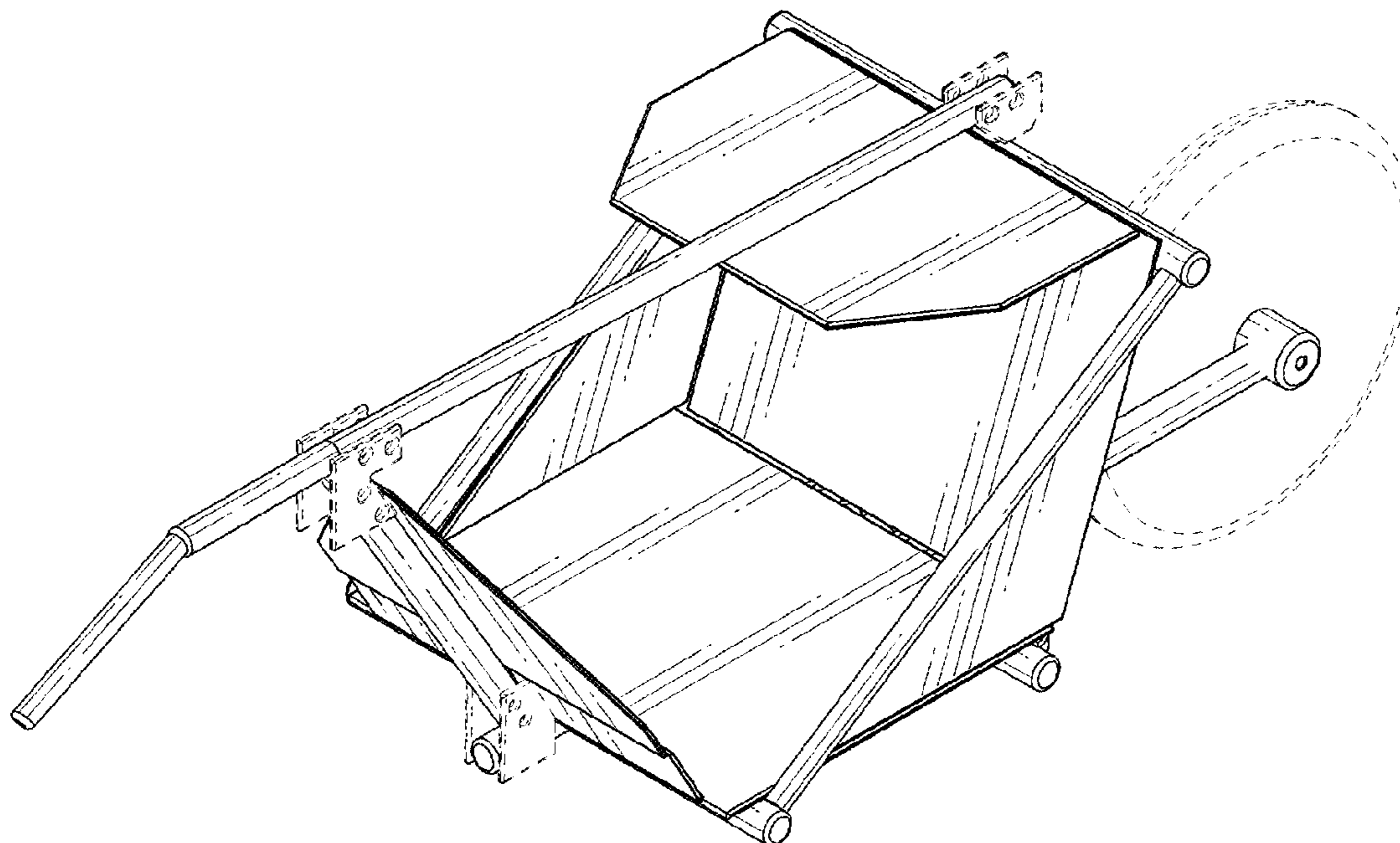
FIG. 1 is a front top perspective view of a bicycle trailer showing my new design;
 FIG. 2 is a front elevational view thereof;
 FIG. 3 is a rear elevational view thereof;
 FIG. 4 is a right side elevational view thereof;
 FIG. 5 is a left side elevational view thereof;
 FIG. 6 is a top plan view thereof; and,
 FIG. 7 is a bottom plan view thereof.
 The broken lines on the present invention in FIGS. 1-7 are included for the purpose of illustrating environmental structure and form no part of the claimed design.

1 Claim, 7 Drawing Sheets

(56) **References Cited**

U.S. PATENT DOCUMENTS

D376,773 S *	12/1996	Bell	D12/101
D379,782 S *	6/1997	Adams	D12/114
D383,094 S *	9/1997	Mast	D12/102
D409,117 S *	5/1999	Everett	D12/114
D414,720 S *	10/1999	Everett	D12/101
6,182,990 B1 *	2/2001	Everett	B62K 15/008 280/491.4
6,481,735 B1 *	11/2002	Hilk	B62K 27/006 280/503
D477,797 S *	7/2003	McCoy	D12/101



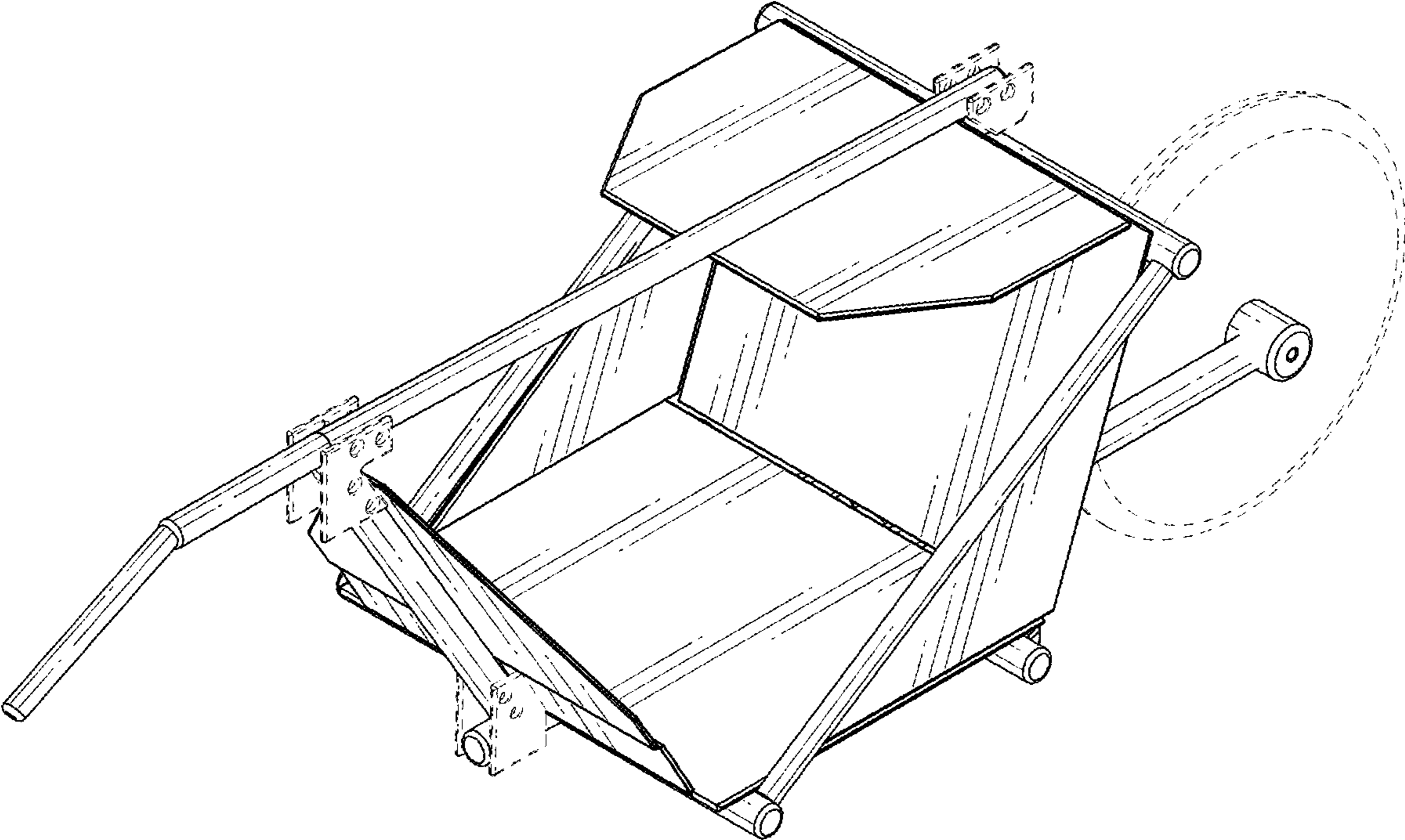


FIG. 1

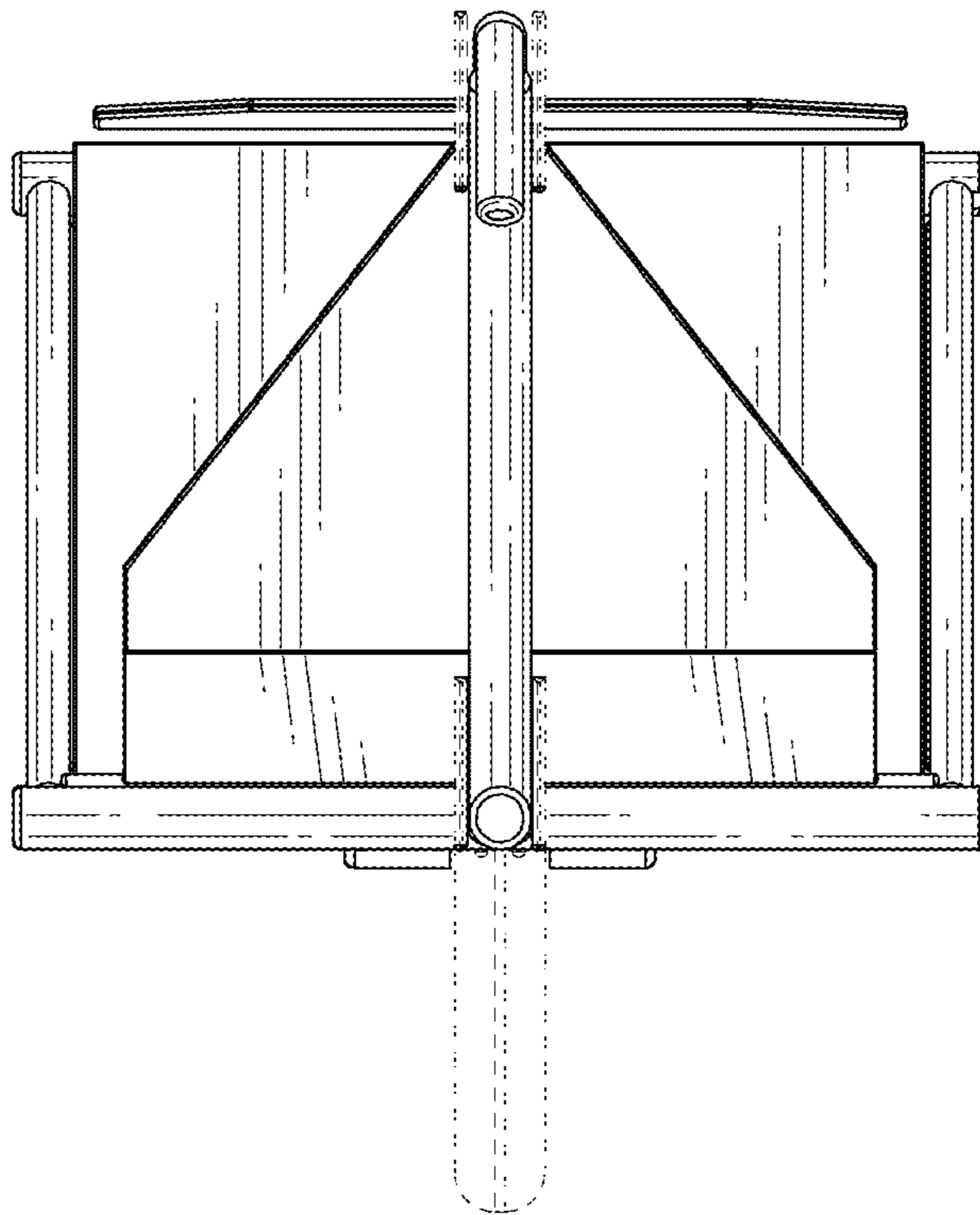


FIG. 2

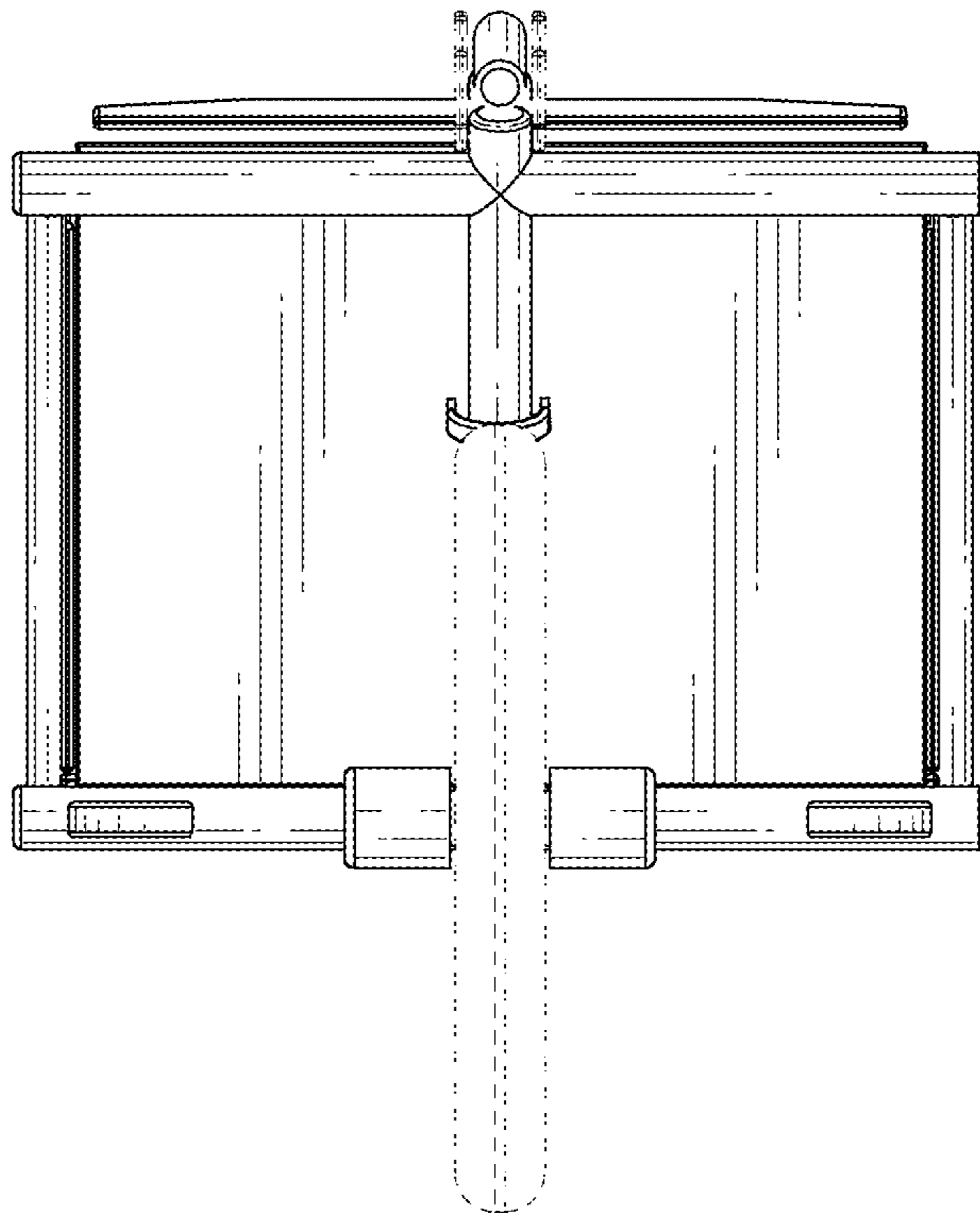


FIG. 3

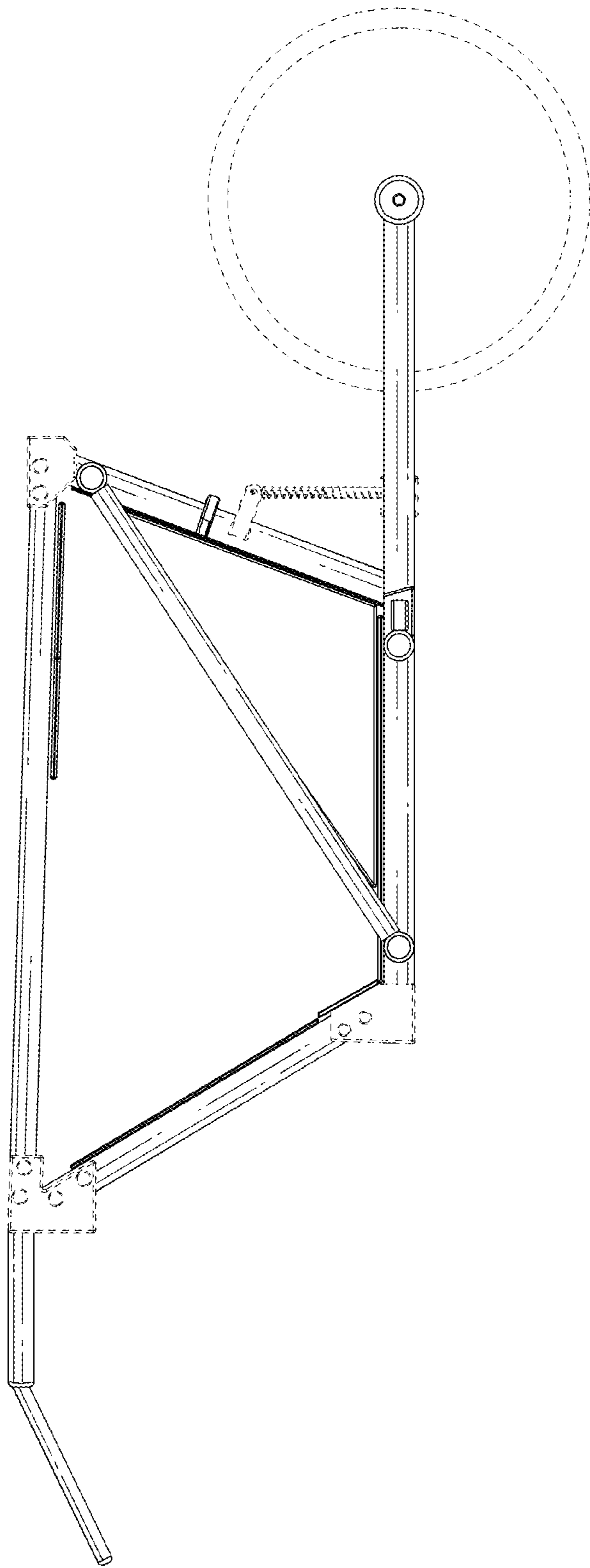


FIG. 4

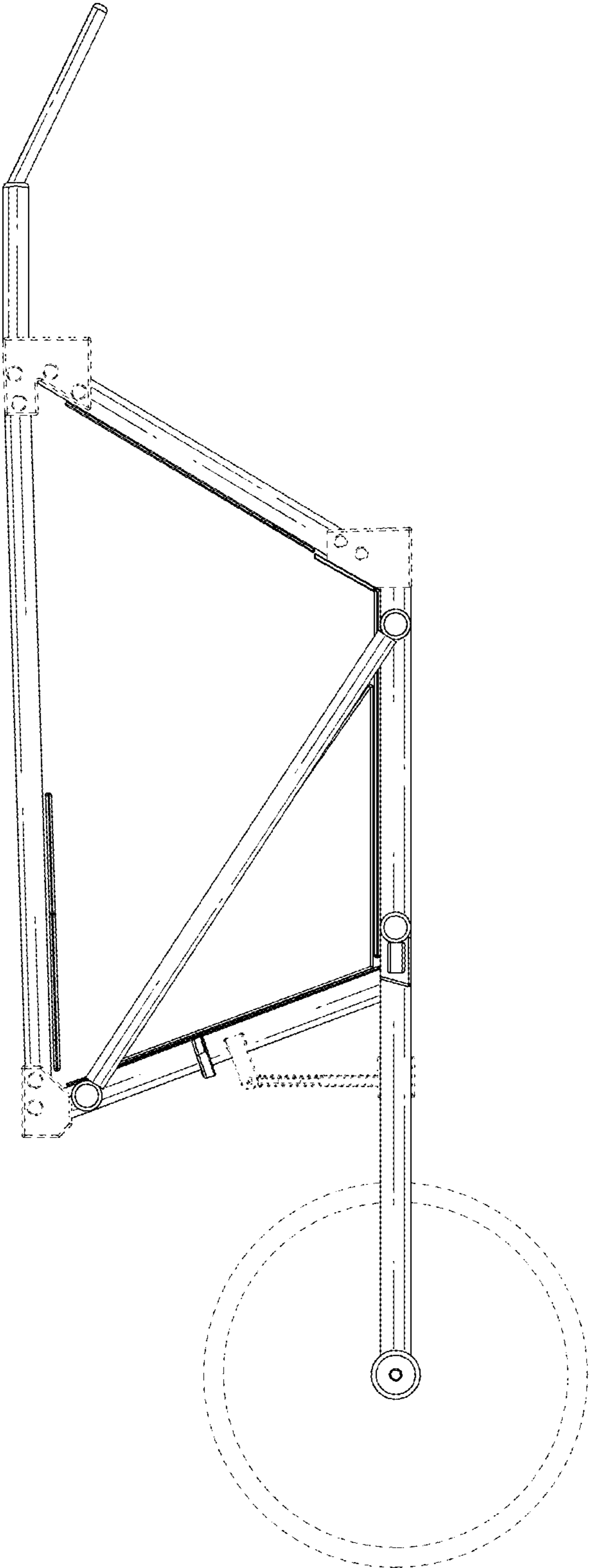


FIG. 5

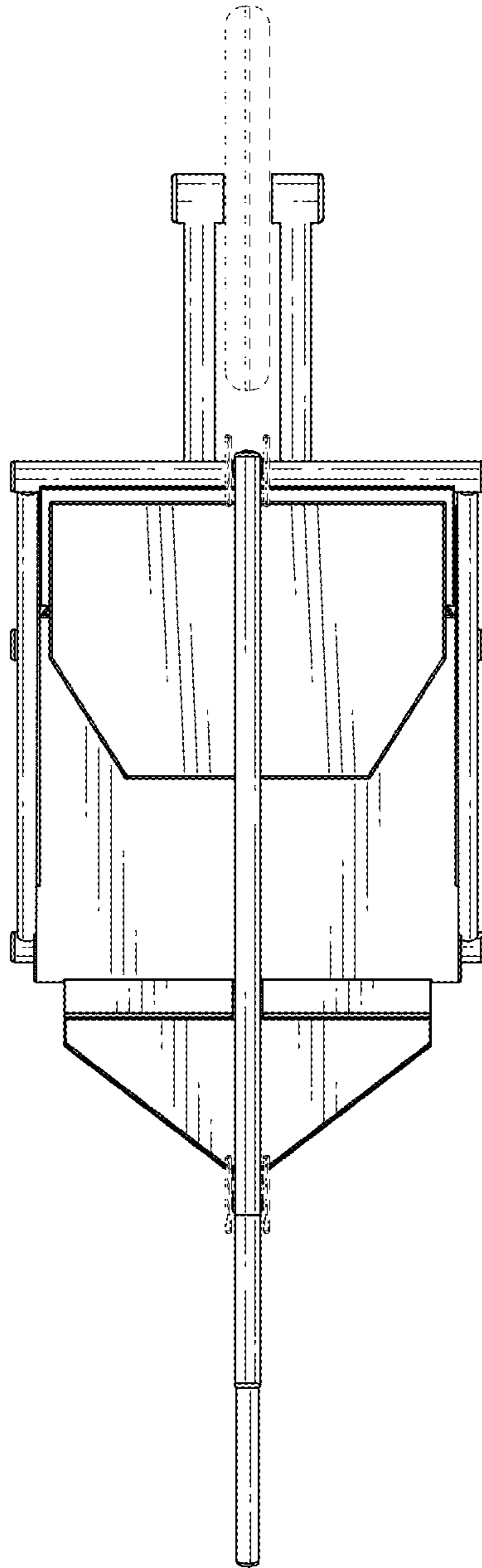


FIG. 6

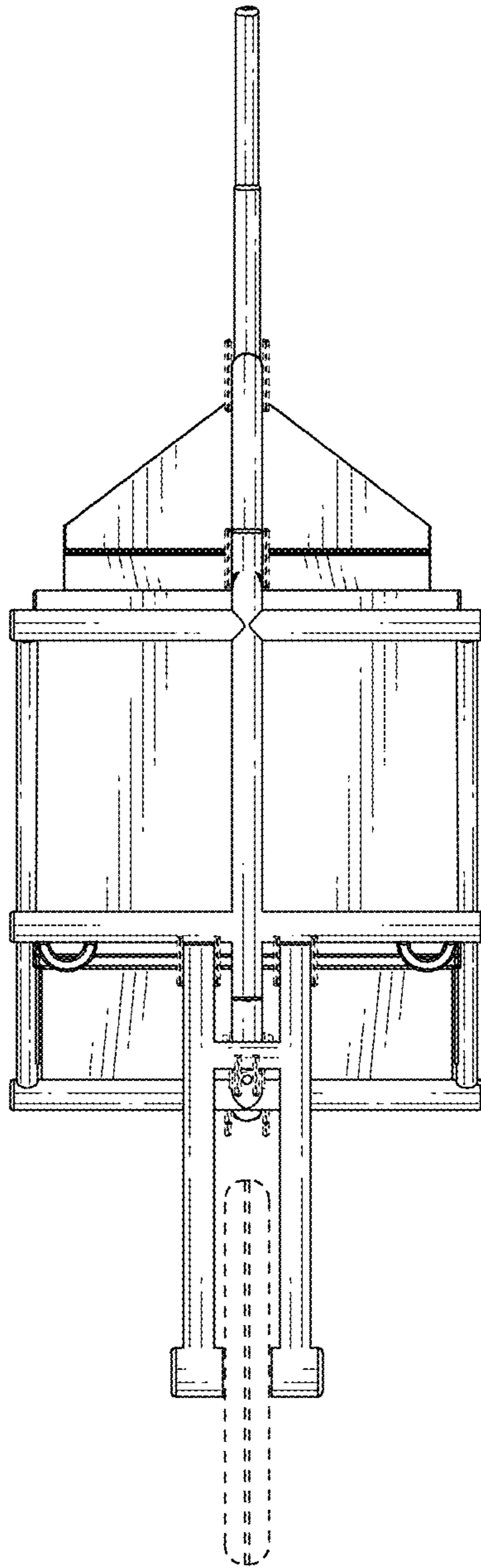


FIG. 7