



US00D990378S

(12) **United States Design Patent**
Xie

(10) **Patent No.:** **US D990,378 S**
(45) **Date of Patent:** **** Jun. 27, 2023**

(54) **TRICYCLE**

(71) Applicant: **Guangdong Luddy Interactive Entertainment Ltd., Dongguan (CN)**

(72) Inventor: **Yincun Xie, Guangdong (CN)**

(73) Assignee: **GUANGDONG LUDDY INTERACTIVE ENTERTAINMENT LTD., Dongguan (CN)**

(**) Term: **15 Years**

(21) Appl. No.: **29/799,328**

(22) Filed: **Jul. 14, 2021**

(30) **Foreign Application Priority Data**

Jun. 7, 2021 (CN) 202130348786.7

(51) **LOC (14) Cl.** **12-08**

(52) **U.S. Cl.**
USPC **D12/112; D21/435**

(58) **Field of Classification Search**
USPC D12/112, 113; D21/432, 435, 538
CPC B62K 9/02; B62K 15/00; B62K 15/008;
B62K 21/00; B62J 17/08
See application file for complete search history.

(56) **References Cited**

U.S. PATENT DOCUMENTS

- D355,870 S * 2/1995 Dieudonne D12/112
- 6,840,527 B1 * 1/2005 Michelau B62K 21/00
280/270
- 6,874,802 B2 * 4/2005 Gunter B62K 9/02
280/288.4
- 6,935,649 B2 * 8/2005 Lim B62H 7/00
280/282
- D525,568 S * 7/2006 Baron D12/112
- D571,866 S * 6/2008 On D21/435
- D594,788 S * 6/2009 Hartlaub D12/113

- D604,777 S * 11/2009 On D12/112
- D627,265 S * 11/2010 On D12/112
- D659,056 S * 5/2012 Bricker D12/112
- D735,090 S * 7/2015 Baron D12/113

(Continued)

OTHER PUBLICATIONS

“Newyoo 5 in 1 Toddler Tricycle with Parent Steering Push Handle for 1,2,3 Years Old Boys and Girls, . . .” Amazon., Jun. 23, 2021 [online], [retrieved on Feb. 6, 2023]. Retrieved from the Internet <URL: <https://www.amazon.com/newyoo-Tricycle-Steering-Removable-Adjustable/dp/B09CY4CDFT?th=1>>.*

(Continued)

Primary Examiner — Darlington Ly

(74) *Attorney, Agent, or Firm* — Andrew C. Cheng

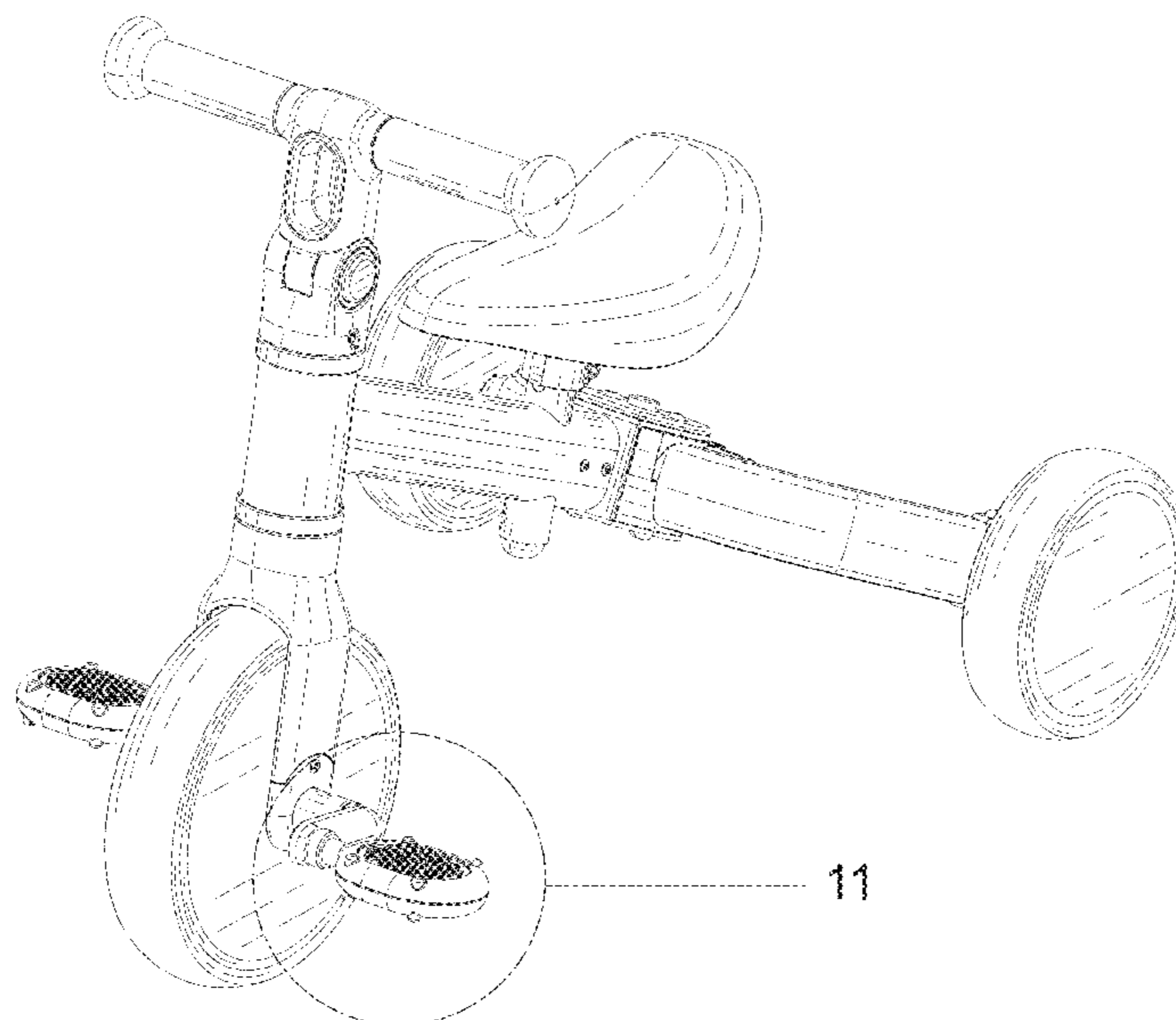
(57) **CLAIM**

The ornamental design for a tricycle, as shown and described.

DESCRIPTION

FIG. 1 is a front and left side perspective view of a tricycle embodying my new design;
 FIG. 2 is a rear and left side perspective view thereof;
 FIG. 3 is a front elevation view thereof;
 FIG. 4 is a rear elevation view thereof;
 FIG. 5 is a right side elevation view thereof;
 FIG. 6 is a left side elevation view thereof;
 FIG. 7 is a top plan view thereof;
 FIG. 8 is a bottom plan view thereof;
 FIG. 9 is a top, rear, and left side perspective view thereof, wherein the pedals are taken off and mounted onto the back of the frame;
 FIG. 10 is a top, rear, and left side perspective view thereof, wherein the two rear wheels are closed together and the pedals are mounted onto the back of the frame; and,
 FIG. 11 is an enlarged and partial perspective view of portion 11 of FIG. 1.

1 Claim, 11 Drawing Sheets



(56)

References Cited

U.S. PATENT DOCUMENTS

D777,607 S * 1/2017 Fitzwater D12/112
 D787,378 S * 5/2017 Ostergaard D12/112
 10,300,977 B1 * 5/2019 Wang B62J 50/40
 D896,131 S * 9/2020 DeBry D12/112
 D920,170 S * 5/2021 Mazar D12/112
 2011/0074125 A1 * 3/2011 Aiken B62H 7/00
 280/47.38
 2013/0056949 A1 * 3/2013 Bricker B62M 1/38
 301/6.5
 2014/0103616 A1 * 4/2014 Young B62K 15/008
 280/278
 2014/0217696 A1 * 8/2014 Bartels B62K 9/02
 280/274

OTHER PUBLICATIONS

“Besrey 5 in 1 Toddler Bike . . .” Amazon., Apr. 21, 2022[online], [retrieved on Feb. 6, 2023]. Retrieved from the Internet <URL: https://www.amazon.com/dp/B09PTXV747/ref=sspa_dk_detail_1?pd_rd_i=B09PTXV747&pd_rd_w=hKz5p&content-id=amzn1.sym.bff6e147-54ad-4be3-b4ea-ec19ea6167f7&pf_rd_p=bff6e147-54ad-4be3-b4ea-ec19ea6167f7&pf_rd_r=0SB24Y73ANEEHZ9XTA8W&pd_rd_wg=RBEsS&pd_rd_r=f7487d17-1934-41dd-821e-b27b7fd579d3&s=toys-and-games&sp_csd=d2lkZ2V0TmFtZT1zcF9kZXRhaWwy&spLa=ZW5jcnlwdGVkUXVhbGlmaWVyPUEzSTYxTkNHT0c3OFhEJmVuY3J5cHRIZEIKP>.*

UEwMjUxMjI4MWPMFFTUFGQjRHTiZlbnNyeXB0ZWZWRBZEIkPUEwODk1NTU3M0pCMDgxMVJMRtI3TCZ3aWRnZXROYWlIPXNwX2RldGFpbDlmYWN0aW9uPWNsaWNrUmVkaXJlY3QmZG9Ob3RMb2dDbGljaz10cnVI&th=1>.*

“Pleker 7-in-1 Toddler Tricycle with 5-Height Parent Steering Push Handle for 1-5 Years Old, Foldable Kids Trike, Toddler Bike with Wheel Clutch, Larger Wheels, Removable Pedals, Height Adjustable Seat.” Amazon., May 21, 2022[online], [retrieved on Feb. 6, 2023]. Retrieved from the Internet <URL: https://www.amazon.com/dp/B09FL5NVLY/ref=sspa_dk_detail_7?pf_rd_p=bff6e147-54ad-4be3-b4ea-ec19ea6167f7&pf_rd_r=TV6DWX1BVKEPAWMD32MJ&pd_rd_wg=bYJZN&pd_rd_w=NJuWS&content-id=amzn1.sym.bff6e147-54ad-4be3-b4ea-ec19ea6167f7&pd_rd_r=43adc675-3880-4304-8fc9-5c39fc7432cc&s=toys-and-games&sp_csd=d2lkZ2V0TmFtZT1zcF9kZXRhaWwy&spLa=ZW5jcnlwdGVkUXVhbGlmaWVyPUEzSTYxTkNHT0c3OFhEJmVuY3J5cHRIZEIKP>.*

“Besrey 7-in-1 Toddler Trike Tricycle for Infant and Kids.” Besrey., Jul. 31, 2022 [online], [retrieved on Feb. 6, 2023]. Retrieved from the Internet <URL: <https://www.besrey.com/products/besrey-7-in-1-toddler-trike-tricycle>>.*

“Besrey 7-in-1 Toddler Tricycle with Handle.” Youtube., Aug. 15, 2022 [online], [retrieved on Feb. 6, 2023]. Retrieved from the Internet <URL: <https://www.youtube.com/watch?v=0nMaw9so4nM>>.*

* cited by examiner

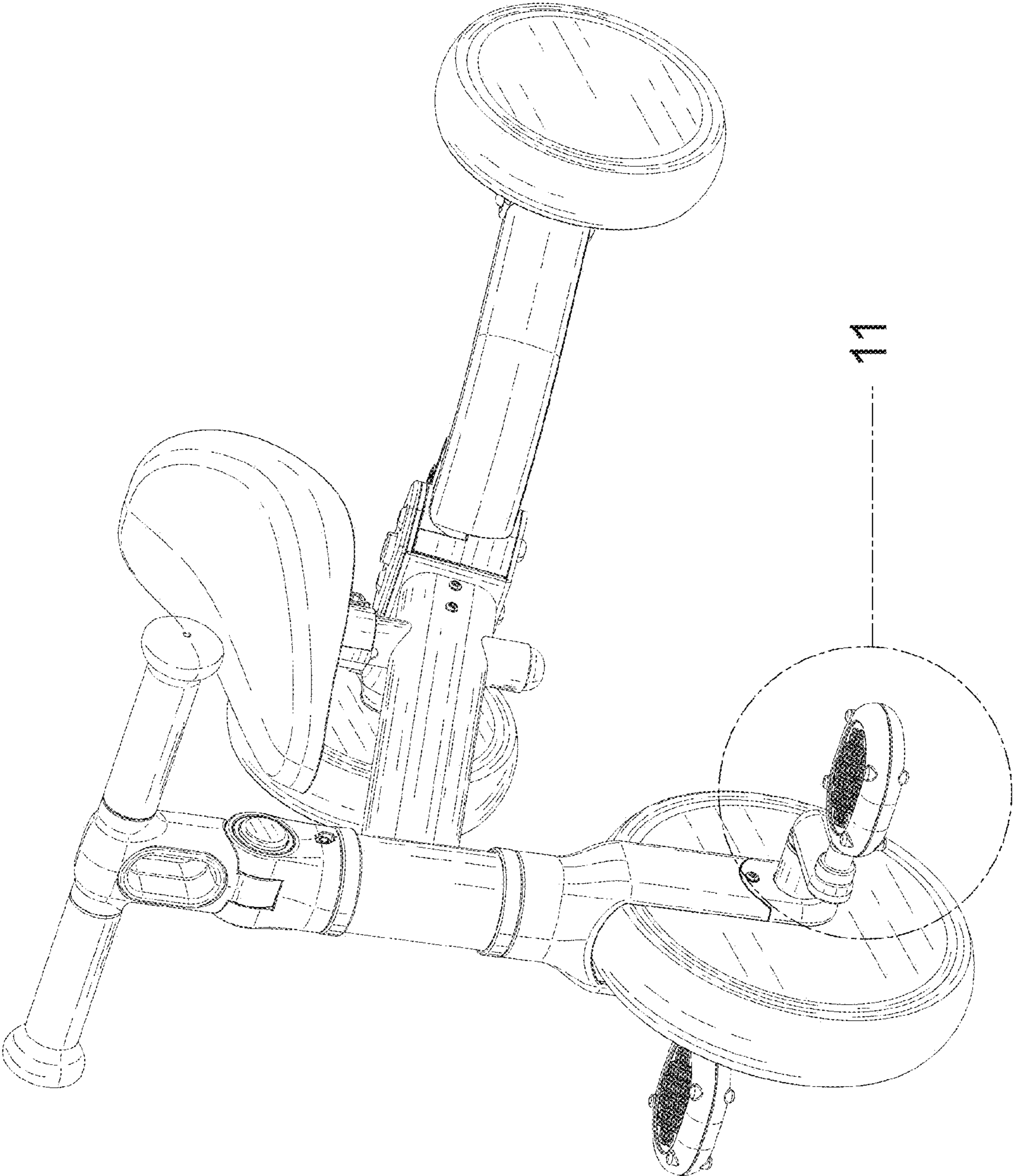


FIG. 1

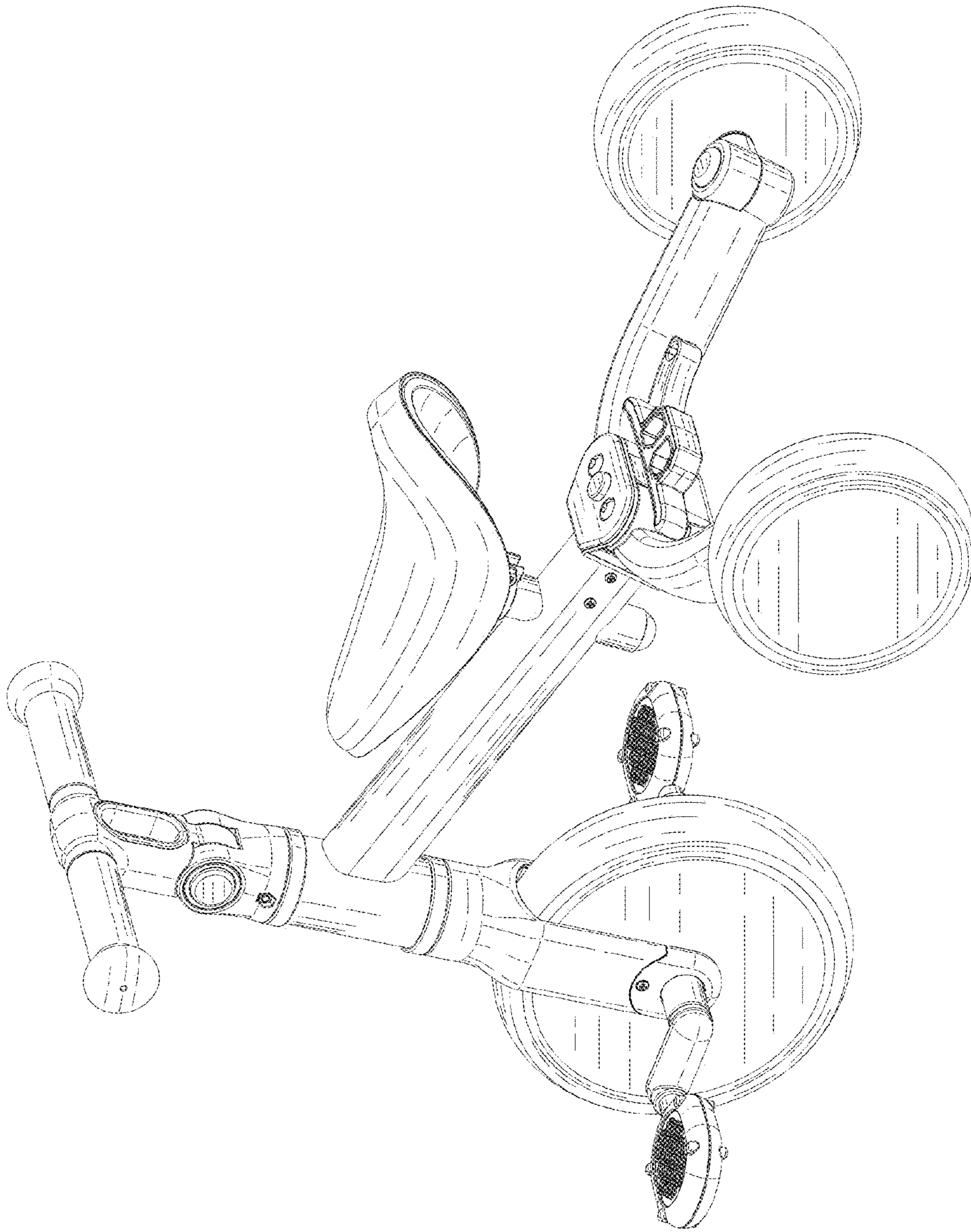


FIG. 2

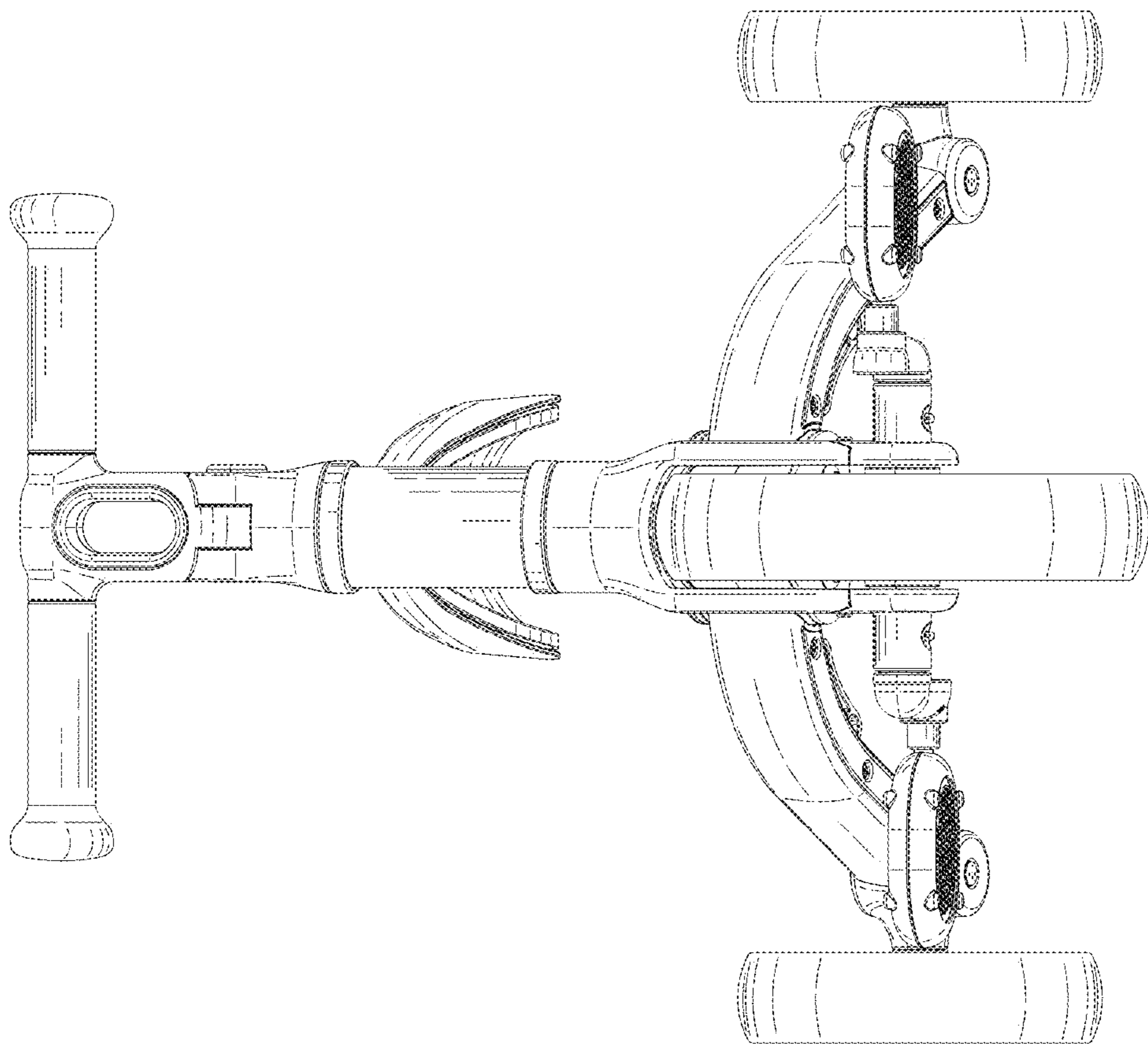


FIG. 3

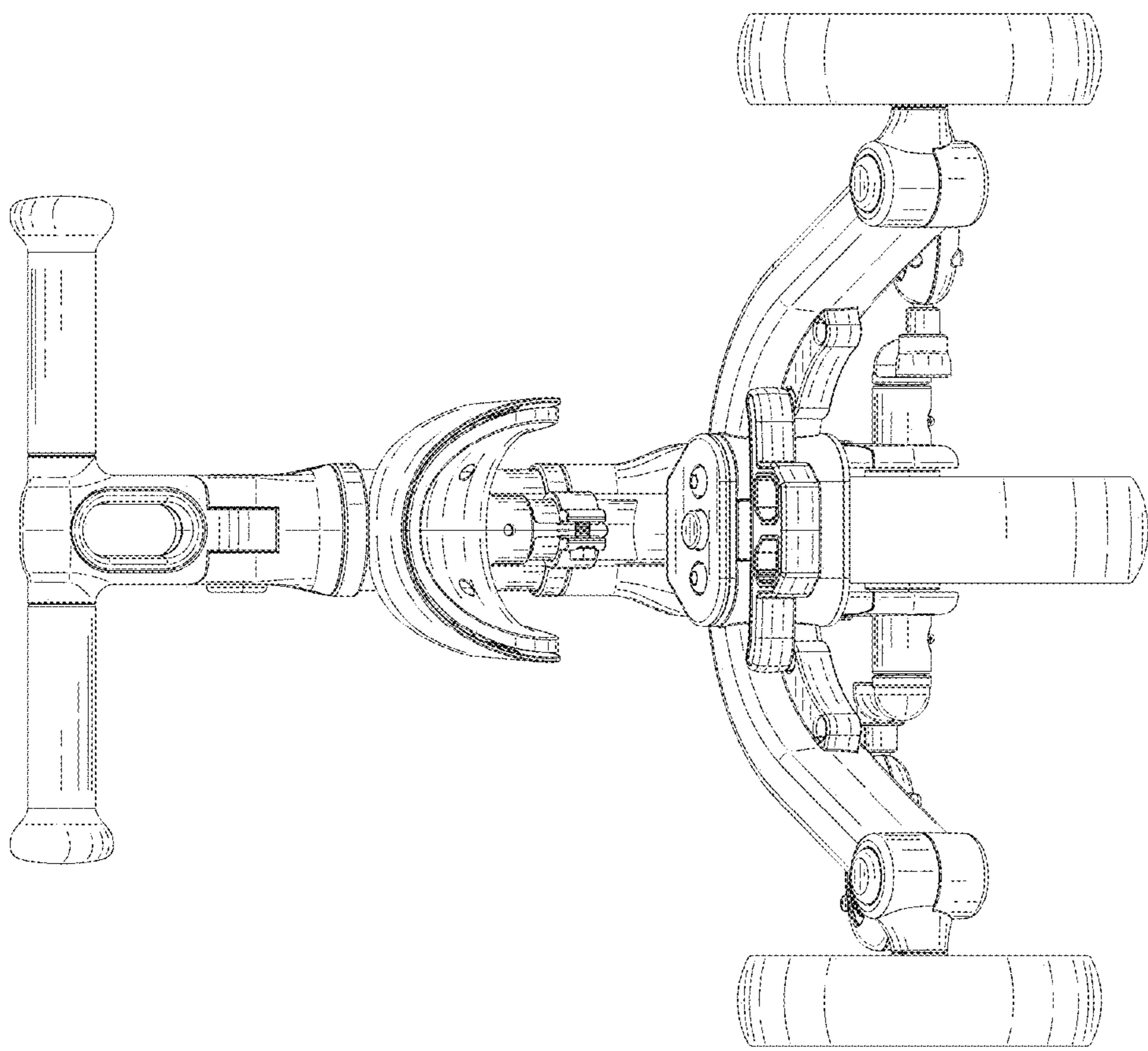


FIG. 4

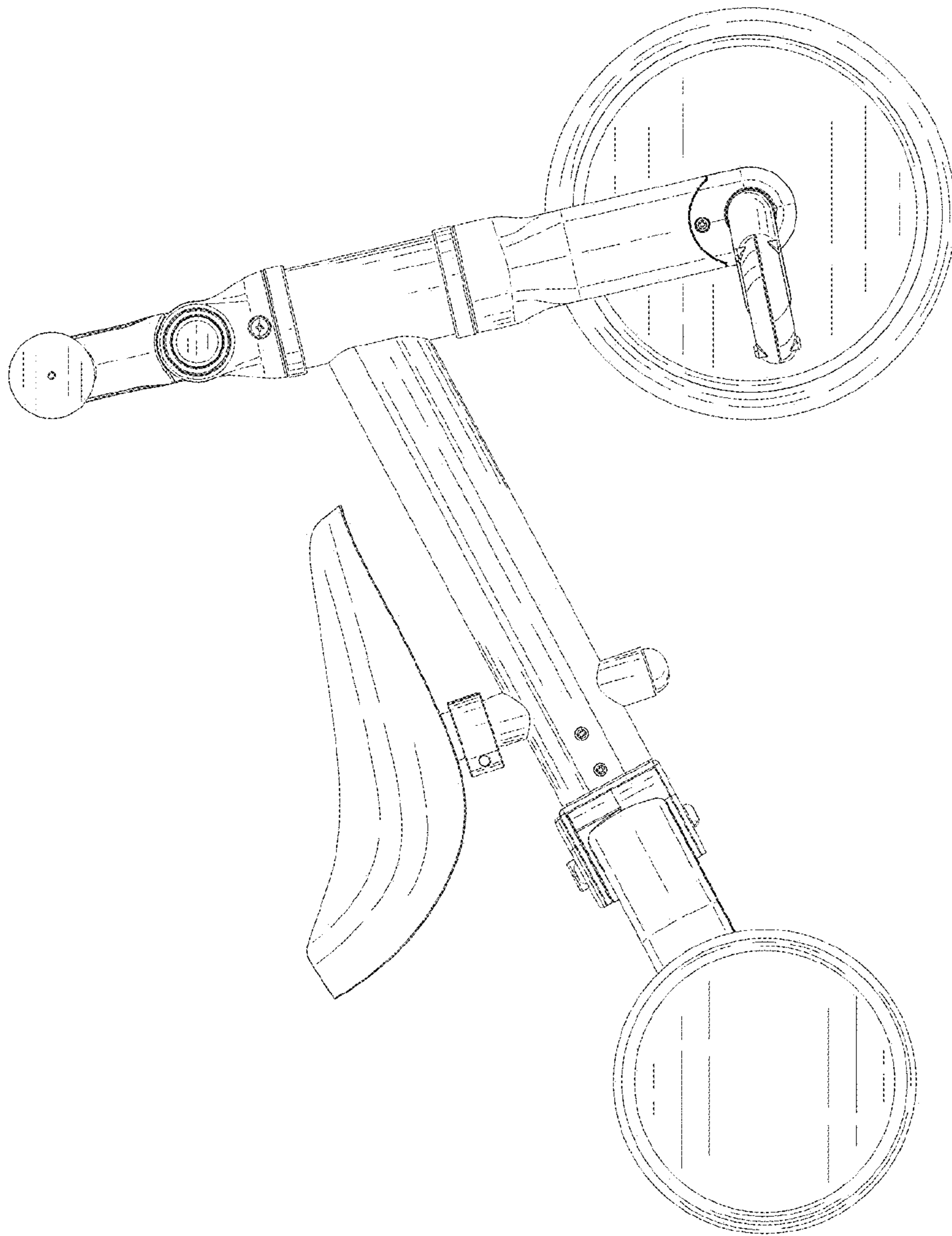


FIG. 5

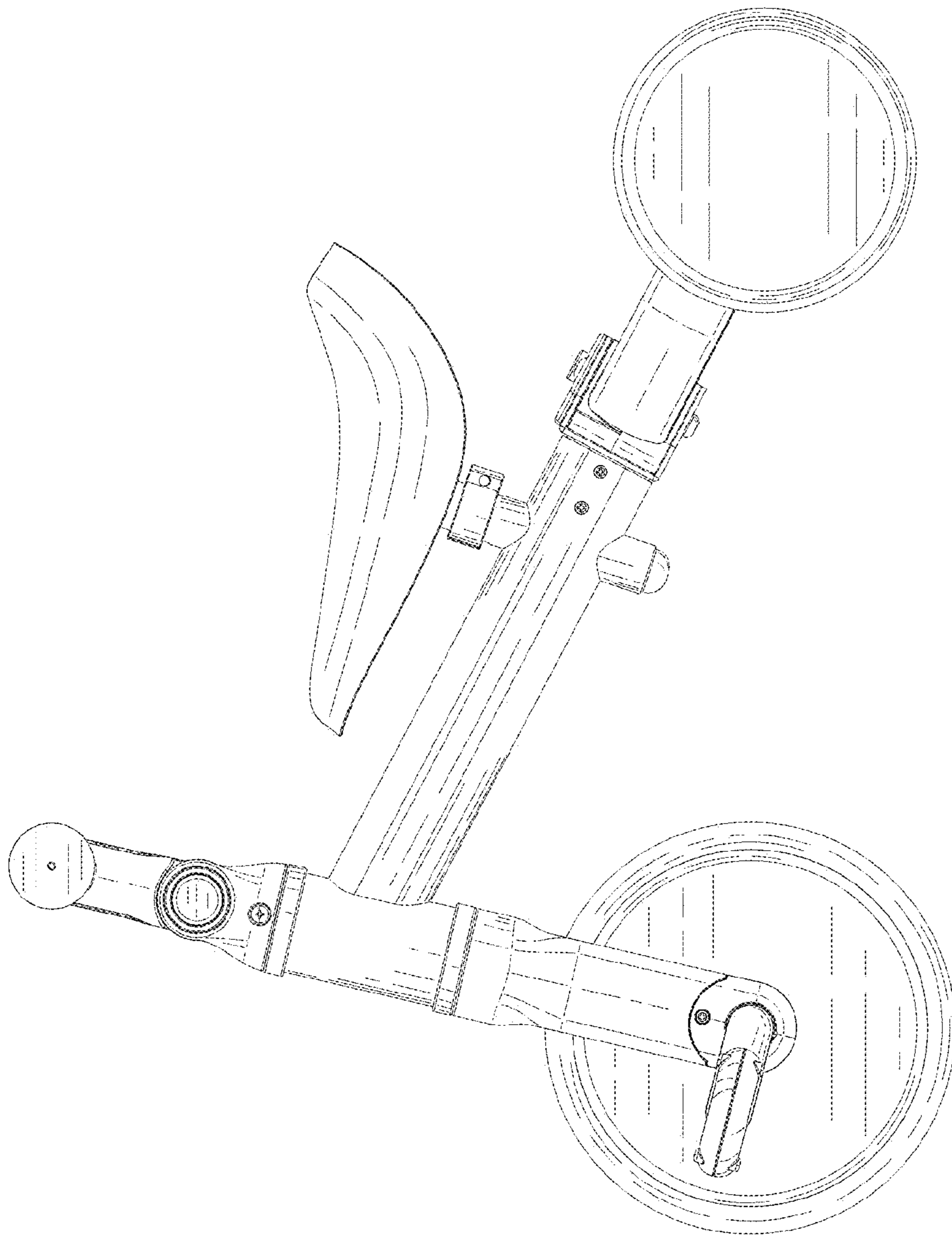


FIG. 6

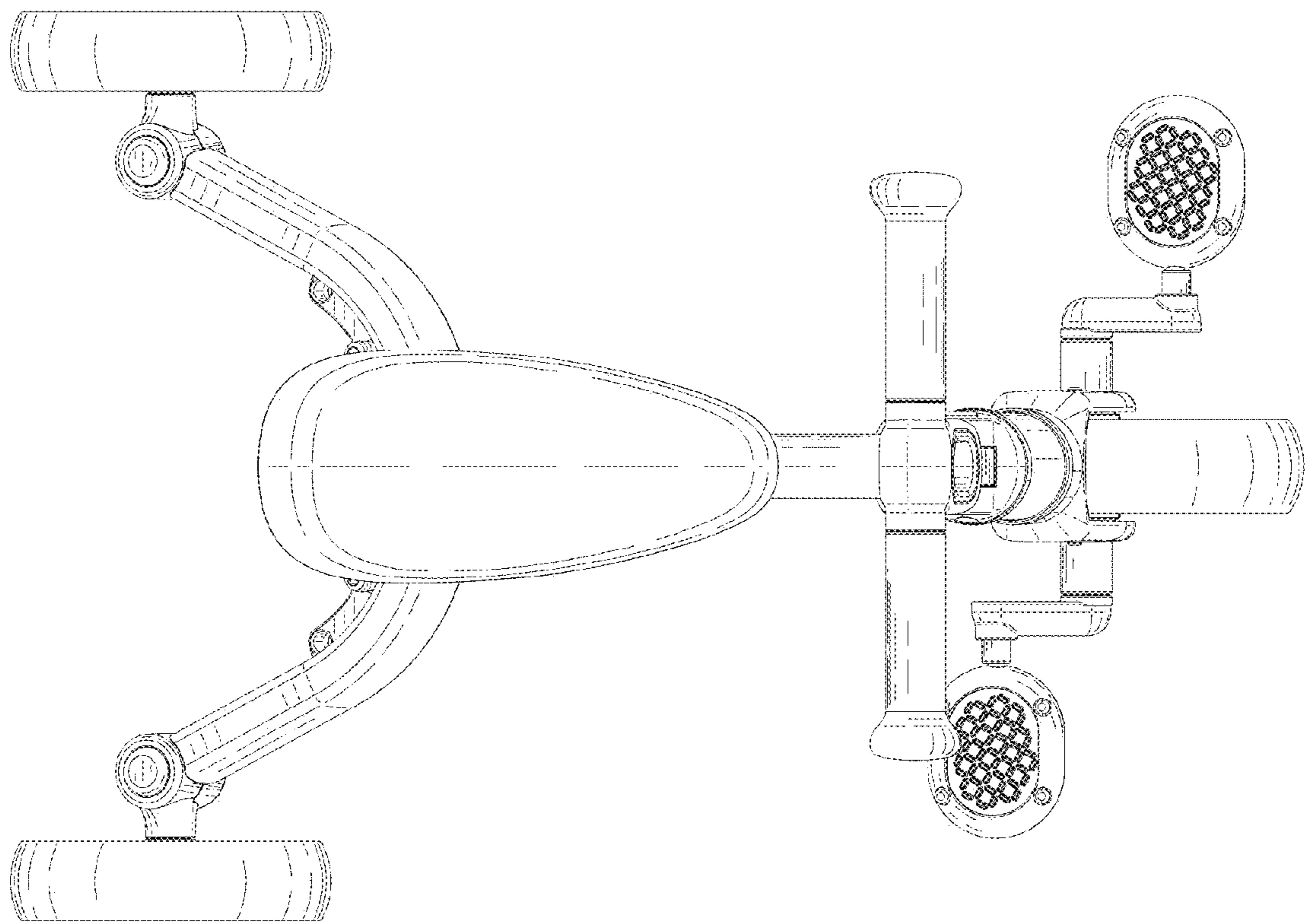


FIG. 7

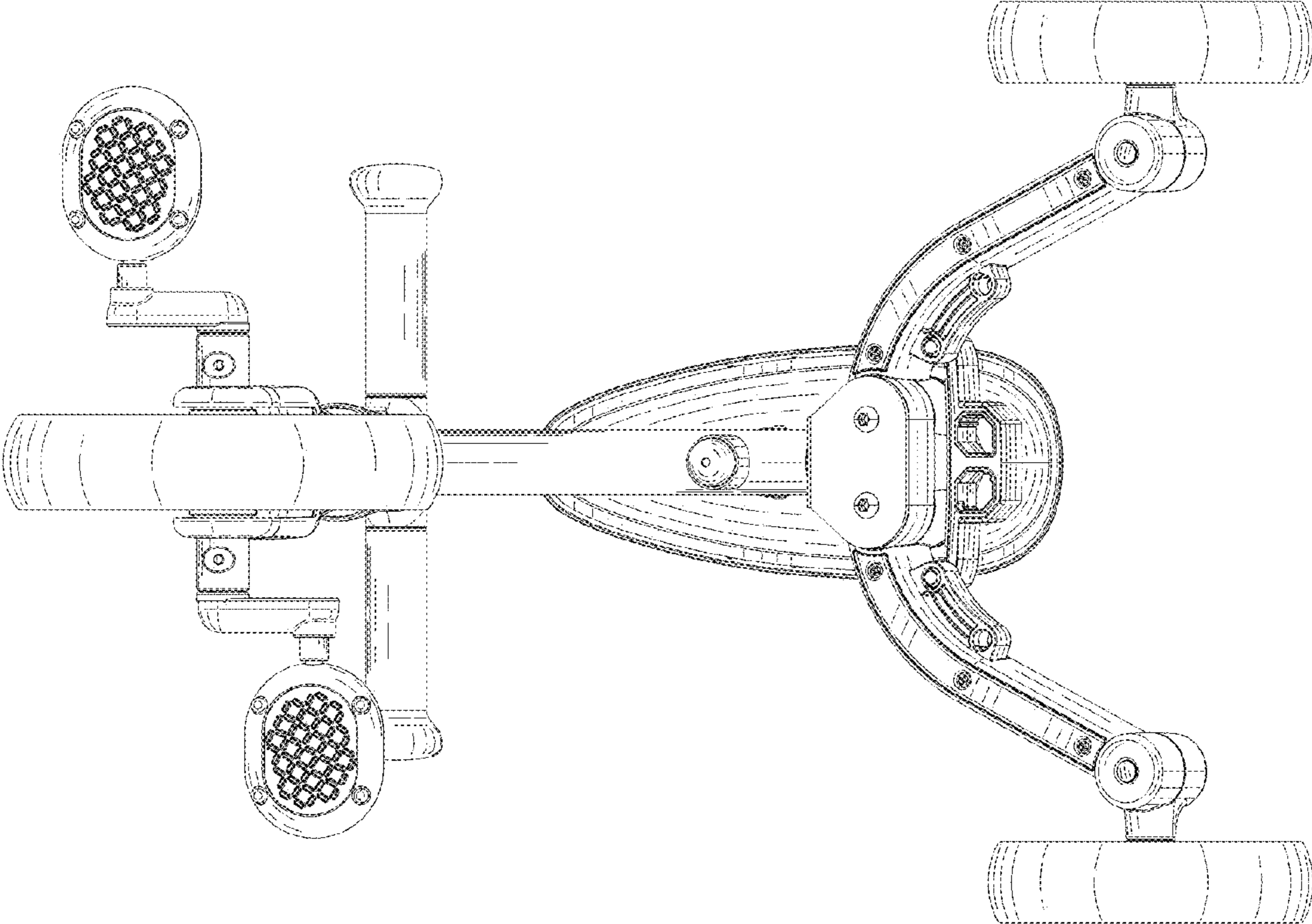


FIG. 8

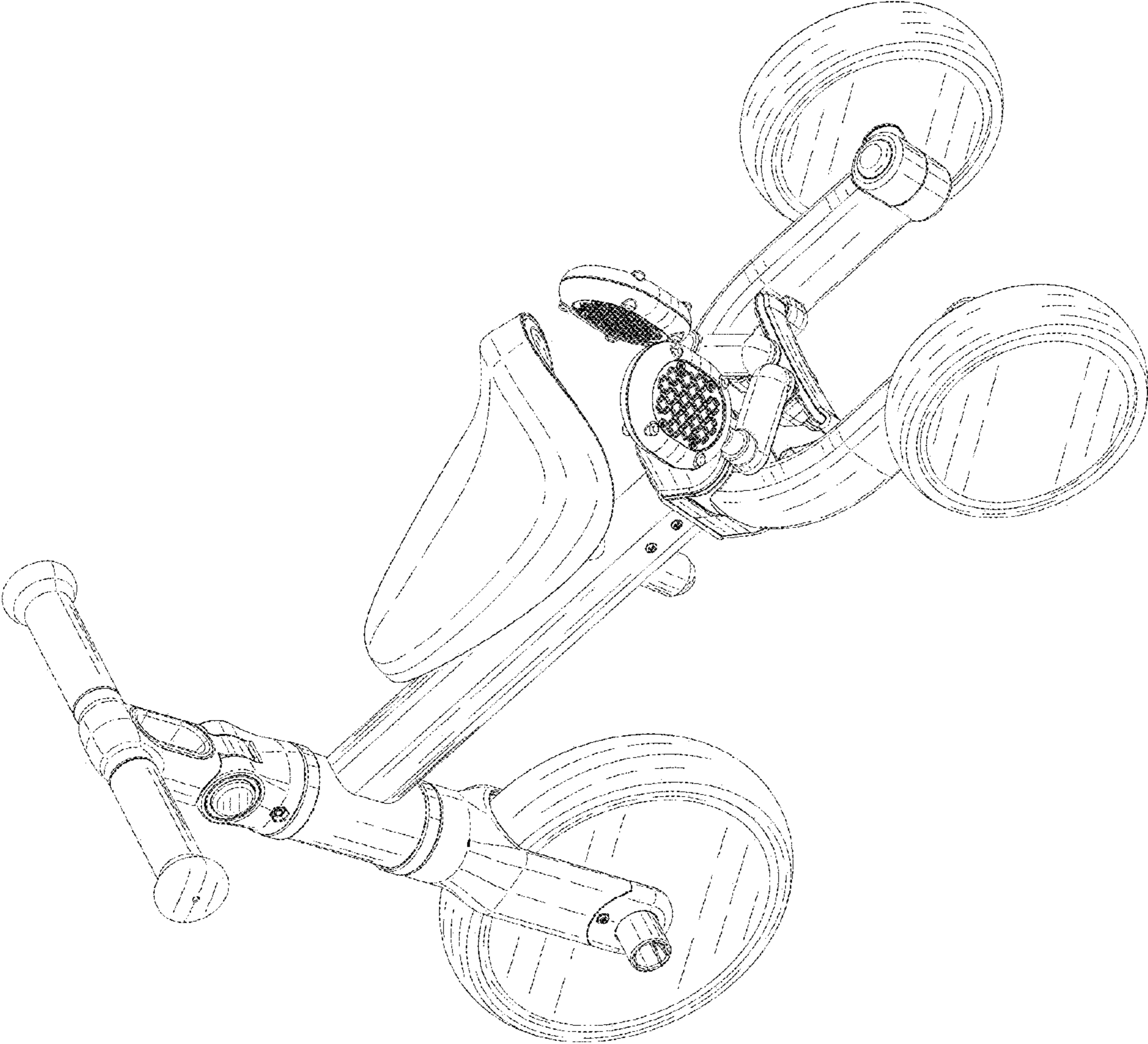


FIG. 9

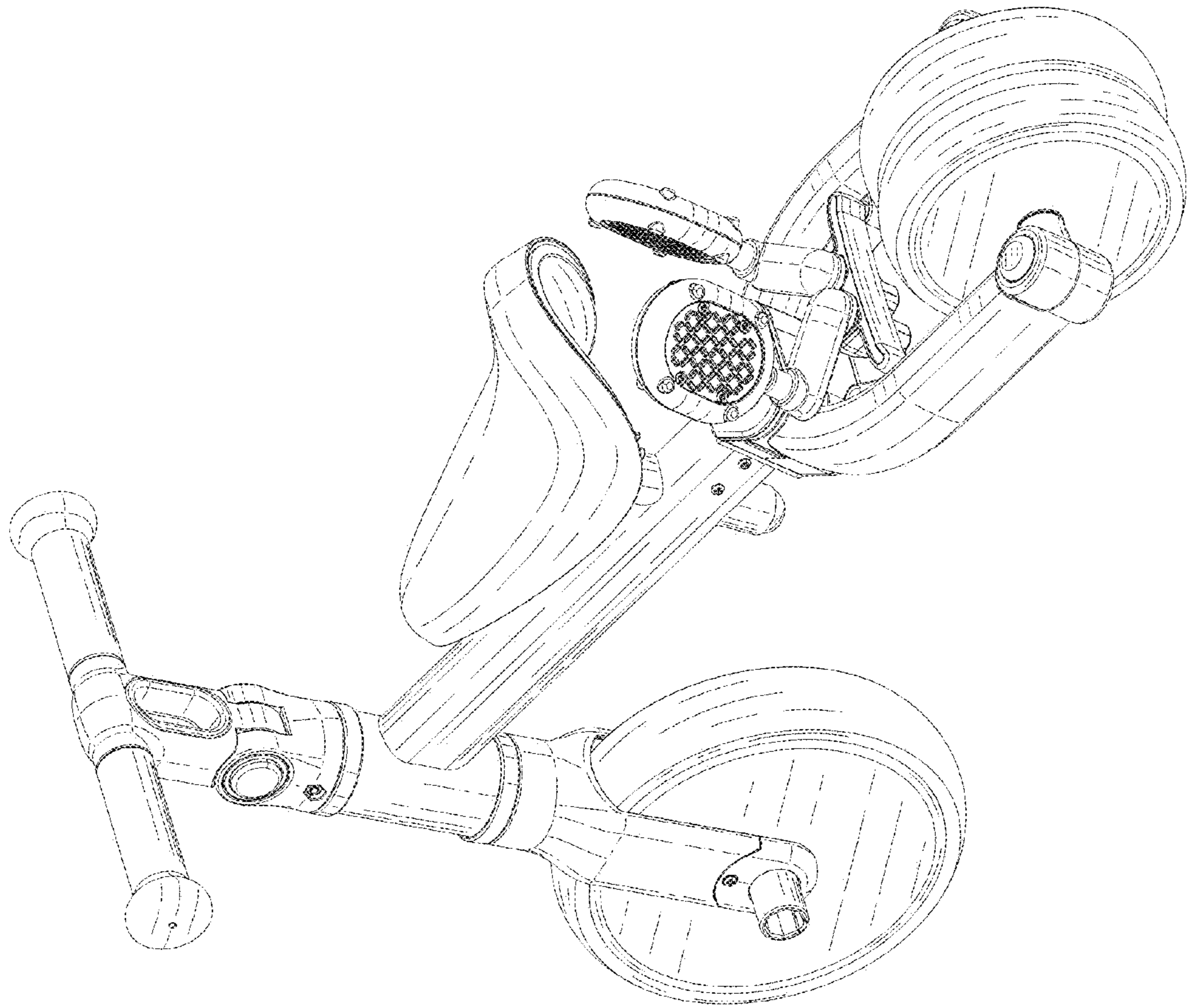


FIG. 10

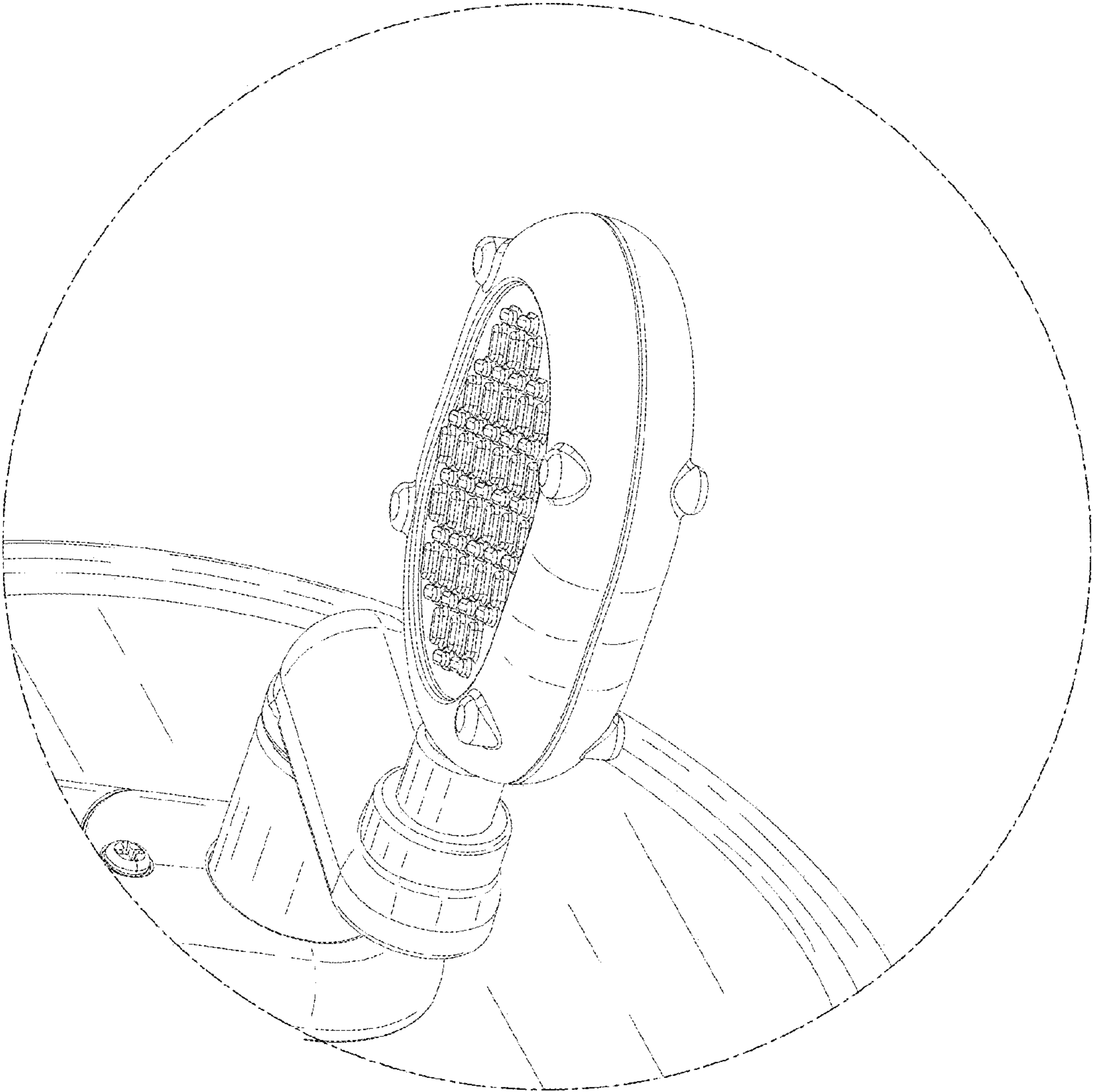


FIG. 11