



US00D990302S

(12) **United States Design Patent**
Semrow et al.

(10) **Patent No.:** **US D990,302 S**
(45) **Date of Patent:** **** Jun. 27, 2023**

- (54) **FASTENER INSERT**
- (71) Applicant: **Illinois Tool Works Inc.**, Glenview, IL (US)
- (72) Inventors: **Thomas Michael Semrow**, Waukesha, WI (US); **Albert J. Dapoz**, Sterling Heights, MI (US)
- (73) Assignee: **Illinois Tool Works Inc.**, Glenview, IL (US)
- (**) Term: **15 Years**
- (21) Appl. No.: **29/803,564**
- (22) Filed: **Aug. 13, 2021**
- (51) **LOC (14) Cl.** **08-08**
- (52) **U.S. Cl.**
USPC **D8/387; D8/397**
- (58) **Field of Classification Search**
USPC D8/354, 387, 384, 382, 396, 397, 399, D8/499
CPC F16L 19/06; F16L 19/08; F16B 37/145
See application file for complete search history.

- 9,903,409 B2 2/2018 Prabhu
 - D832,094 S * 10/2018 Omori D8/397
 - D880,284 S * 4/2020 Ferraro D8/397
 - D924,045 S * 7/2021 Savushkin D8/397
 - D945,875 S * 3/2022 Sailer F16B 31/021
D8/397
 - 11,549,531 B2 * 1/2023 Brunk F16B 5/0258
 - 2002/0131843 A1 * 9/2002 Chen-Chi F16B 37/127
411/418
 - 2008/0183220 A1 * 7/2008 Glazer A61B 17/686
606/301
 - 2010/0086377 A1 * 4/2010 de Mola F16F 7/00
411/176
 - 2011/0192111 A1 * 8/2011 White E04B 1/4121
52/704
 - 2018/0283436 A1 * 10/2018 LeVey F16B 37/125
- (Continued)

Primary Examiner — Keli L Hill
Assistant Examiner — Harold E Blackwell, II
 (74) *Attorney, Agent, or Firm* — McAndrews, Held & Malloy, Ltd.

(57) **CLAIM**

The ornamental design for a fastener insert, as shown and described.

DESCRIPTION

FIG. 1 is a side perspective view of a fastener insert; FIG. 2 is a front side elevation view thereof; FIG. 3 is a rear side elevation view thereof; FIG. 4 is a right side elevation view thereof; FIG. 5 is a left side elevation view thereof; FIG. 6 is a top plan view thereof; and, FIG. 7 is a bottom plan view thereof.

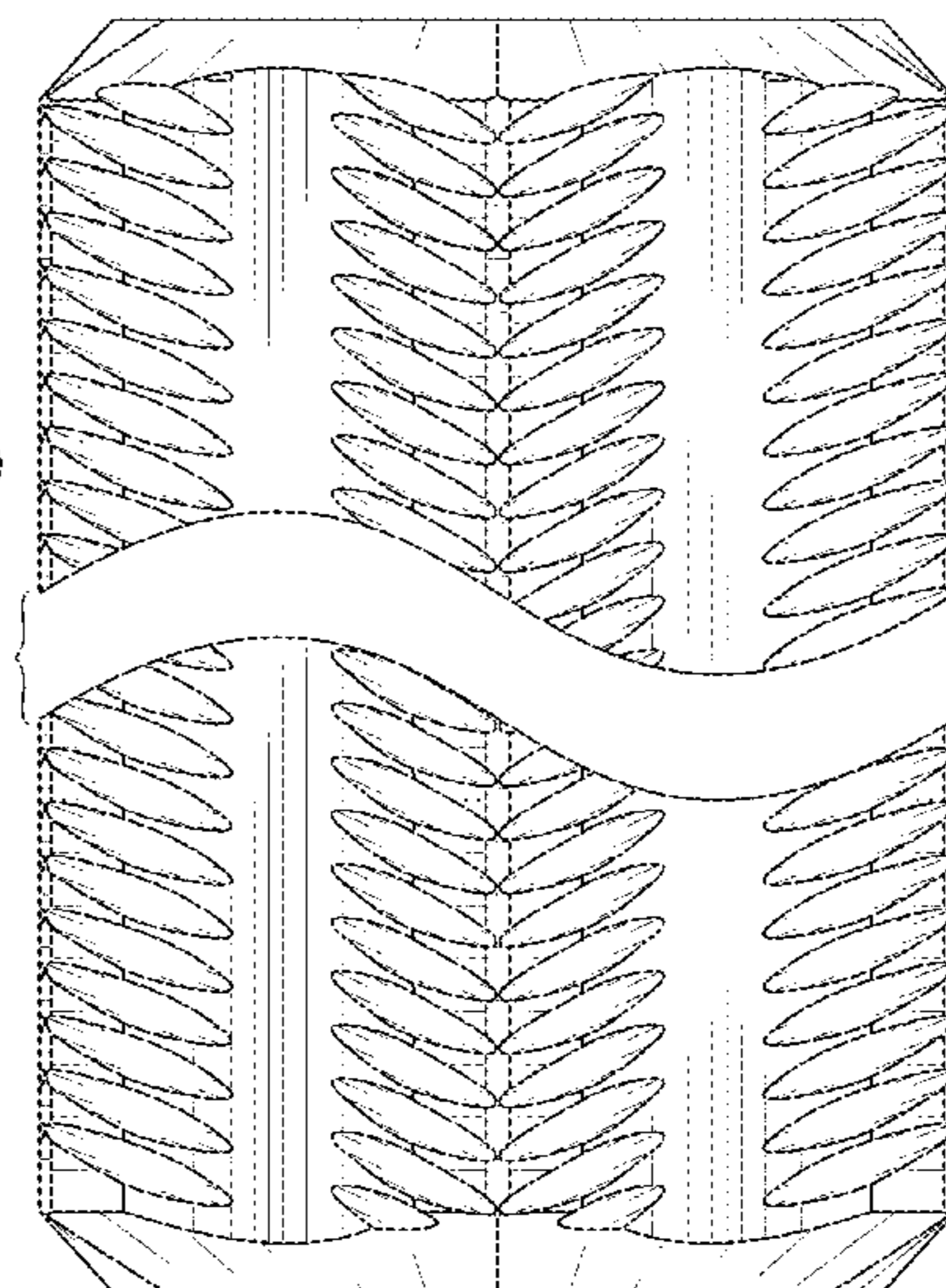
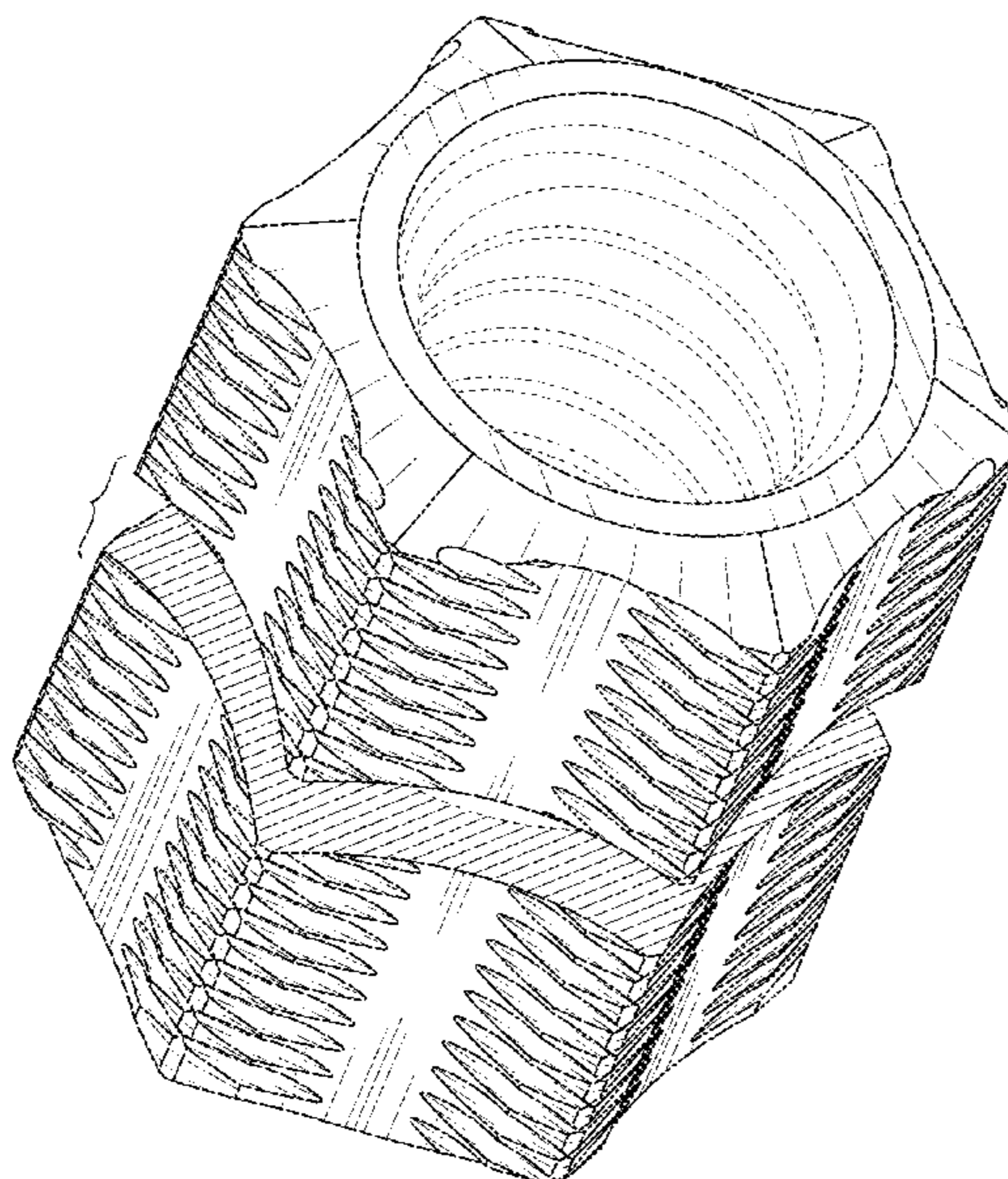
The broken lines in the drawings illustrate portions of the fastener insert that form no part of the claimed design. Further, the appearance of any portion of the fastener insert between the break lines of FIGS. 1 through 5 forms no part of the claimed design.

1 Claim, 7 Drawing Sheets

(56) **References Cited**

U.S. PATENT DOCUMENTS

- 1,107,544 A * 8/1914 Ogden F16B 37/065
52/704
- 3,651,563 A * 3/1972 Volkmann F16B 37/067
29/523
- 4,007,659 A * 2/1977 Stencil F16B 19/1054
411/34
- 4,557,100 A * 12/1985 Gorges B64C 1/18
411/501
- 5,141,357 A * 8/1992 Sherman F16B 5/025
403/4
- D713,715 S * 9/2014 Kury D8/397
- 9,080,593 B2 7/2015 Levey et al.
- D796,310 S * 9/2017 Baiz D8/397



(56)

References Cited

U.S. PATENT DOCUMENTS

2019/0078604 A1* 3/2019 LeVey F16B 37/122
2020/0088224 A1* 3/2020 Brunk F16B 5/0258

* cited by examiner

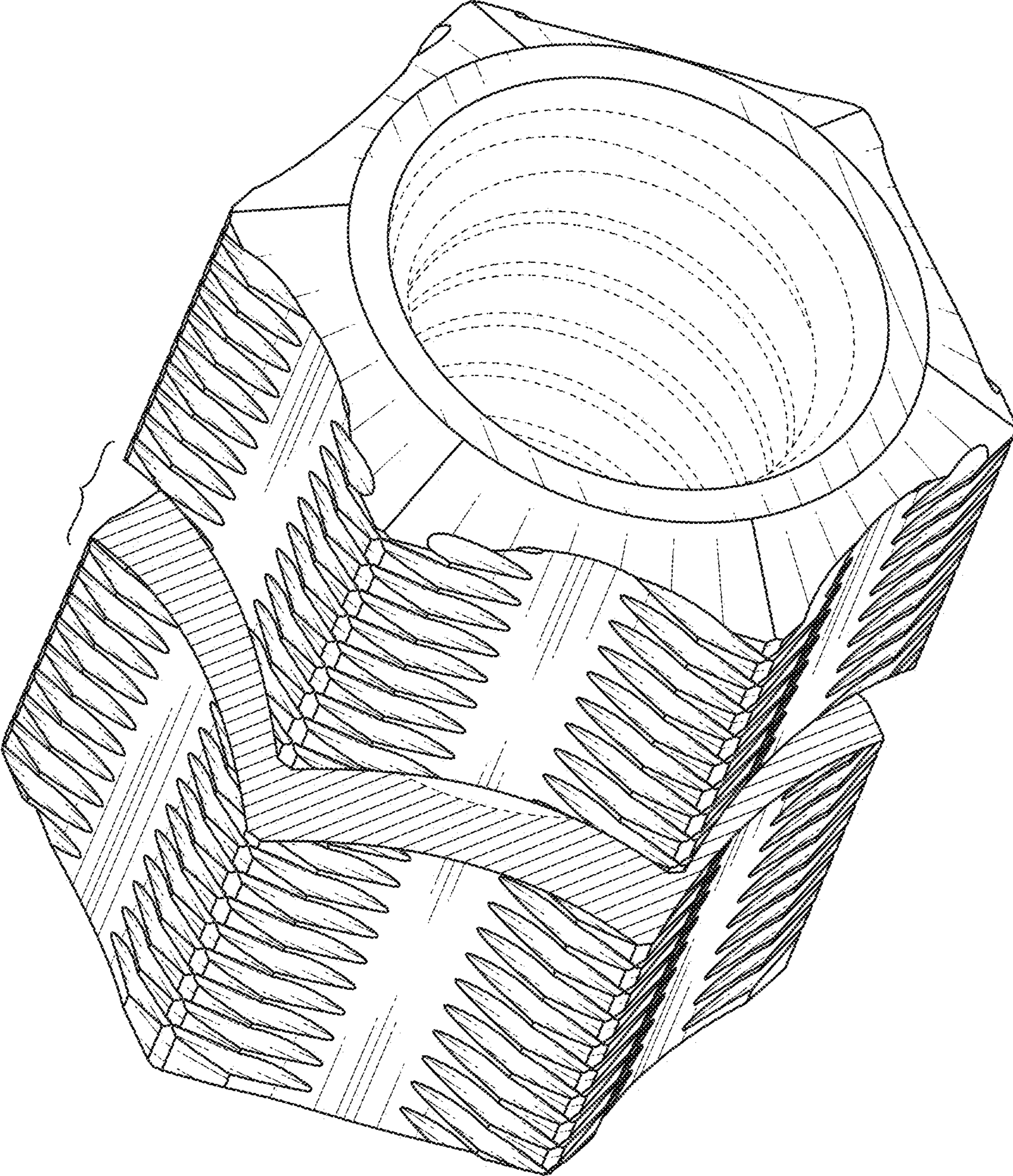


FIG. 1

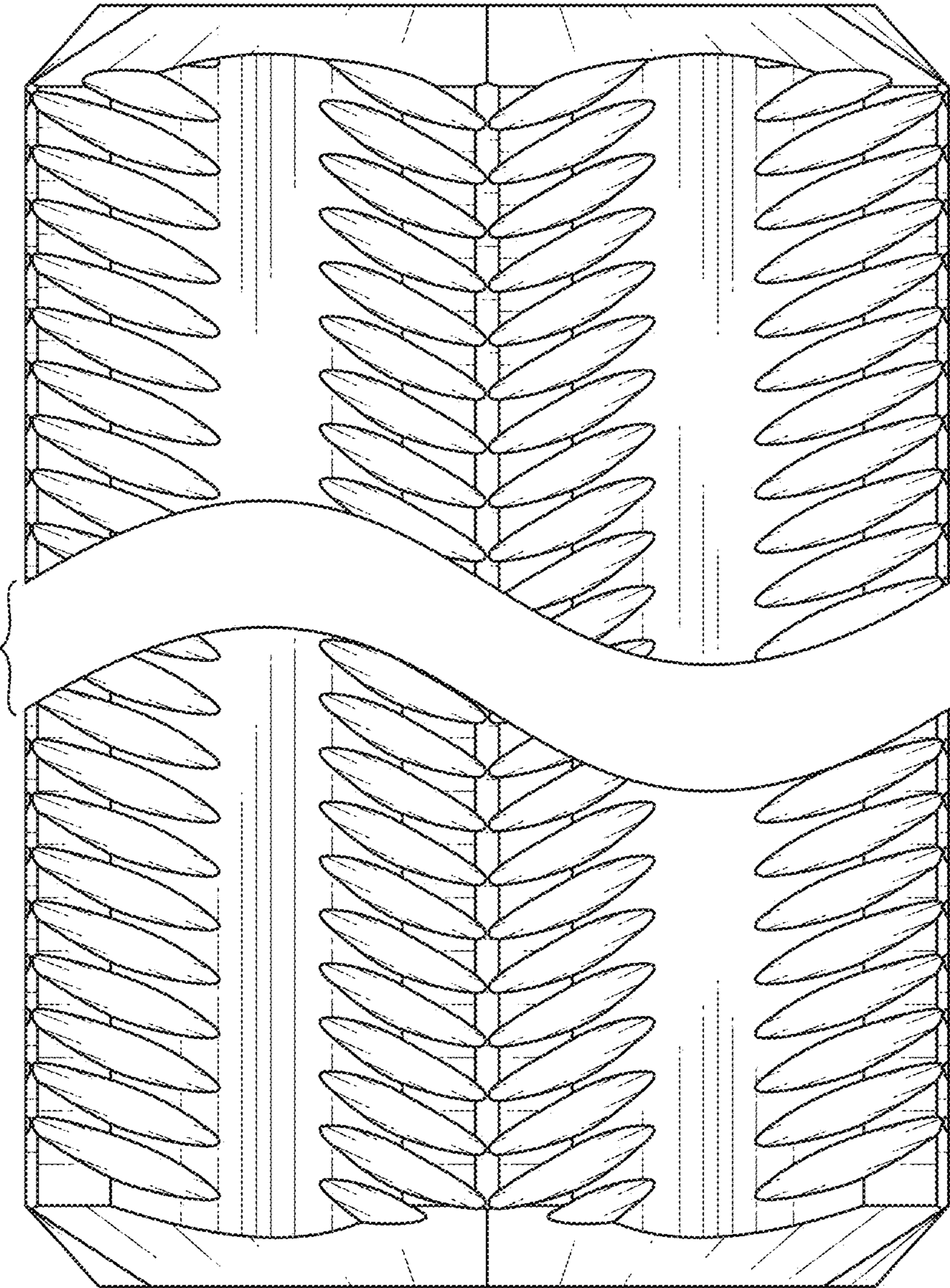


FIG. 2

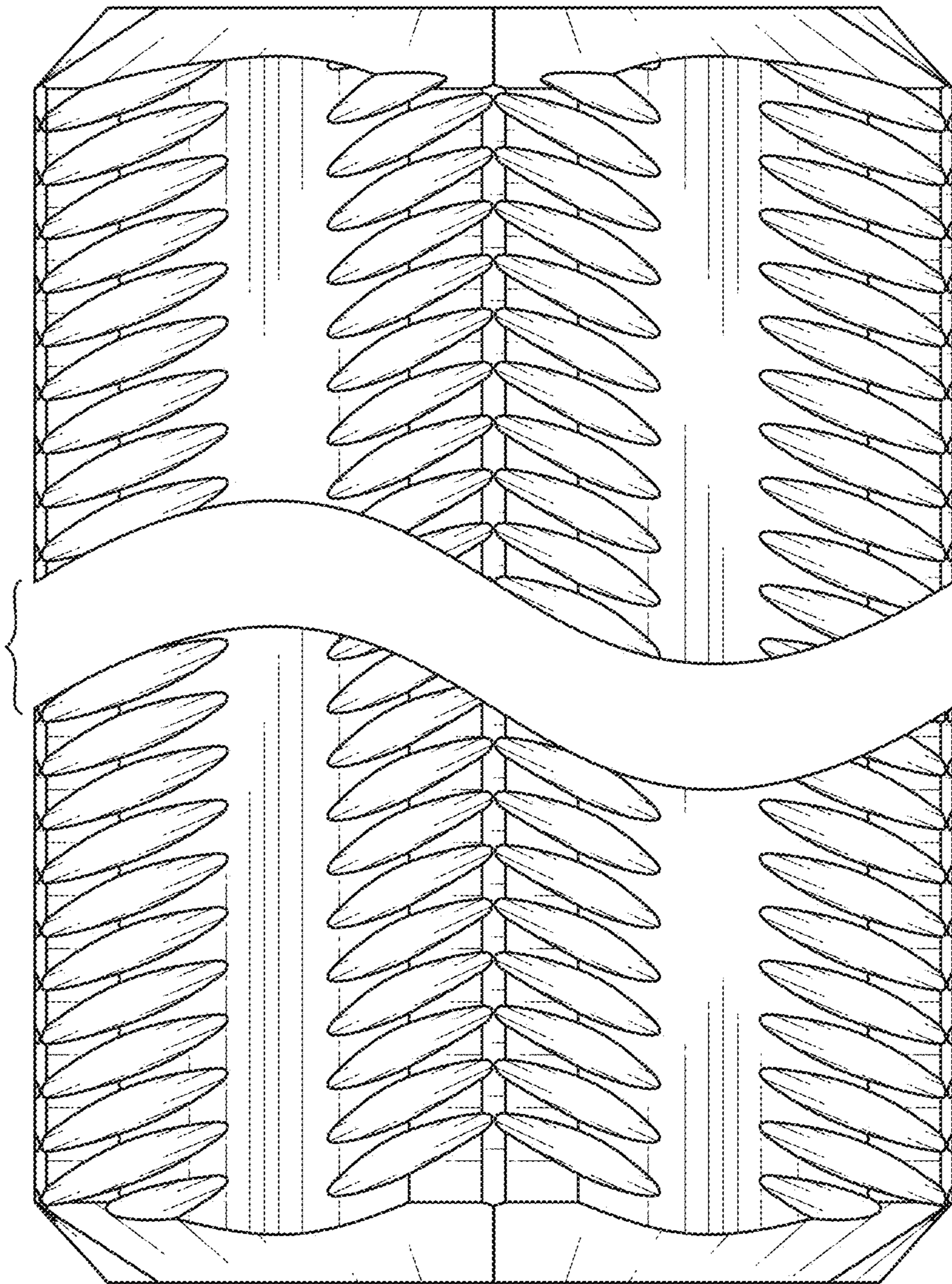


FIG. 3

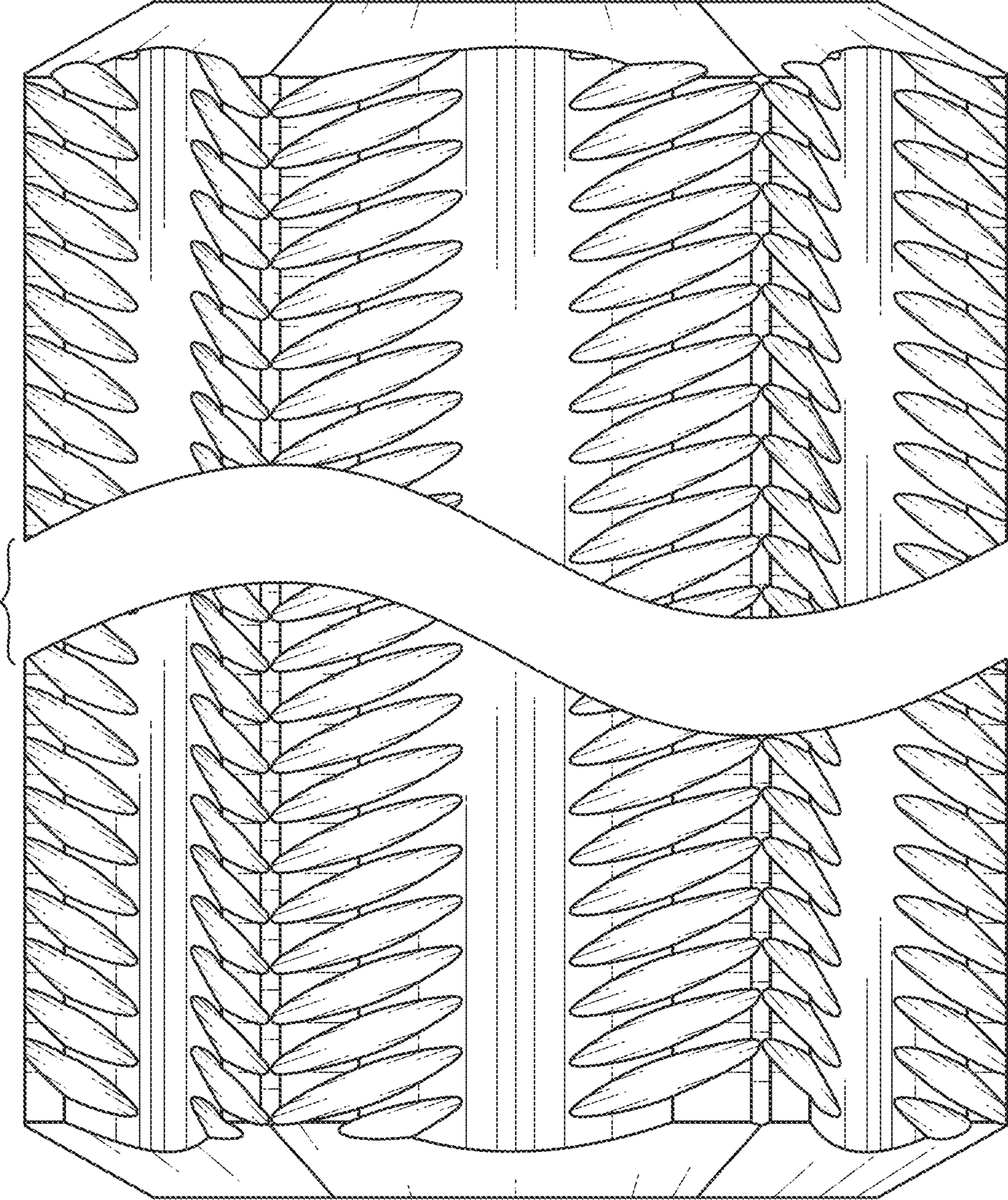


FIG. 4

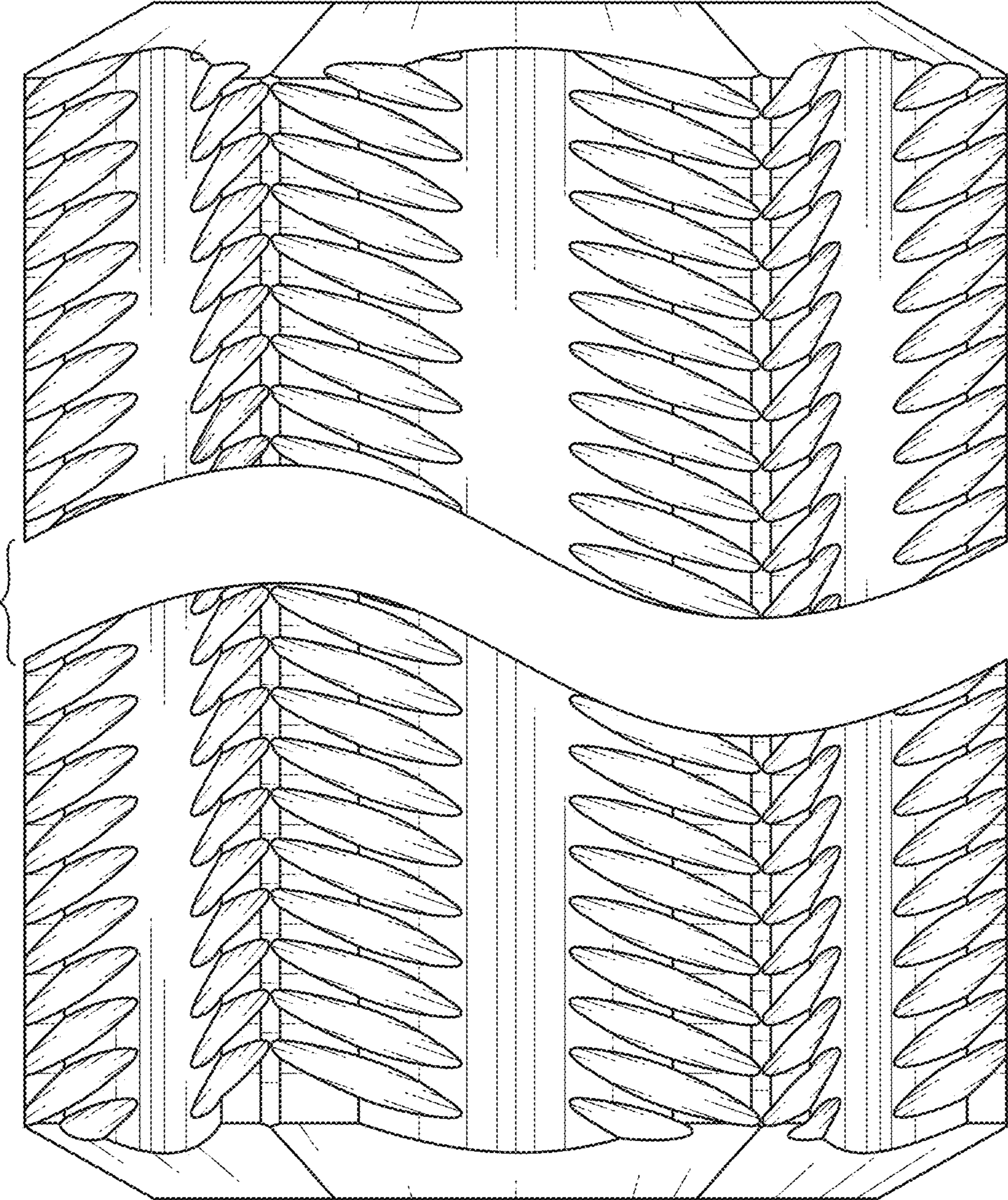


FIG. 5

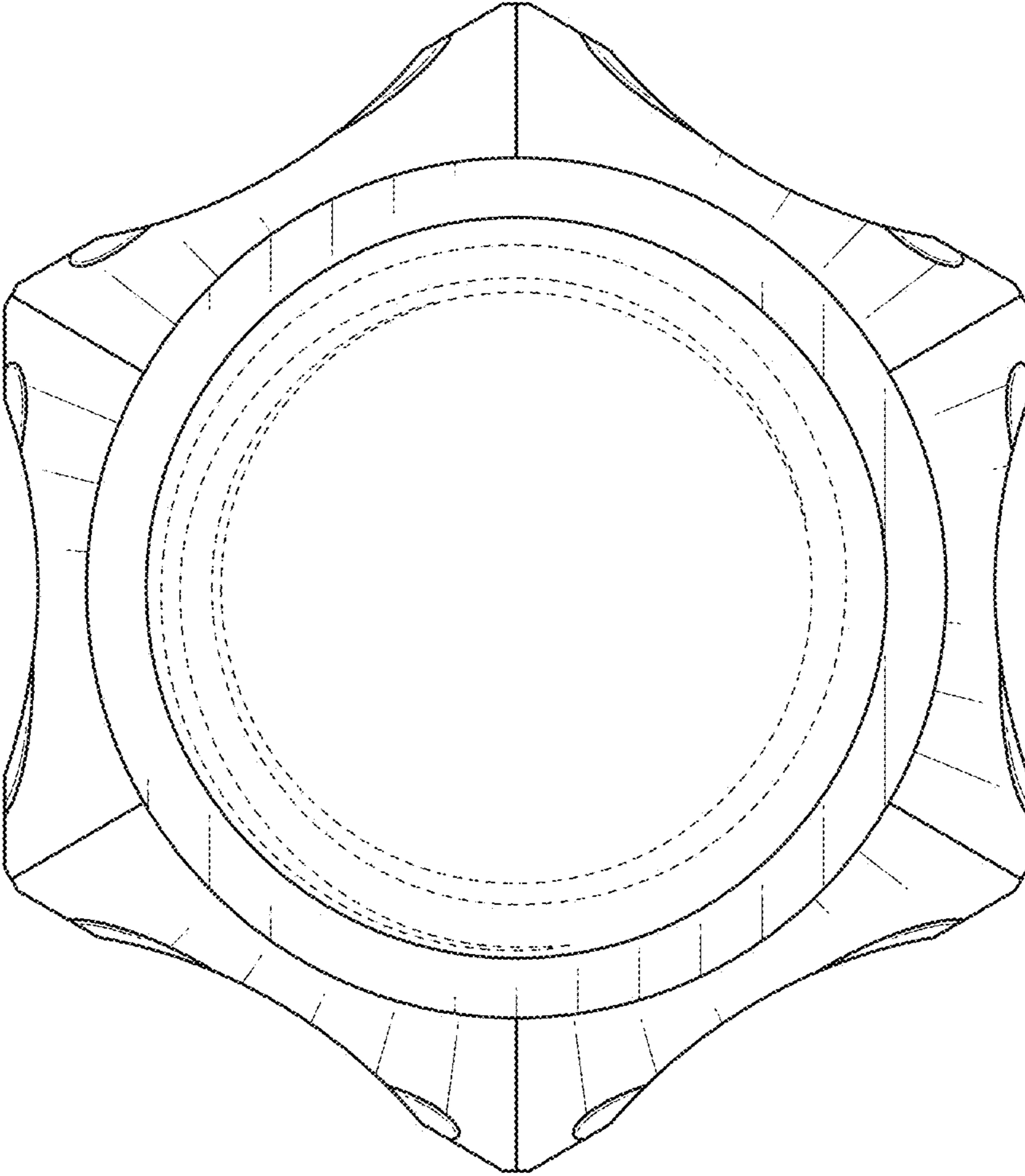


FIG. 6

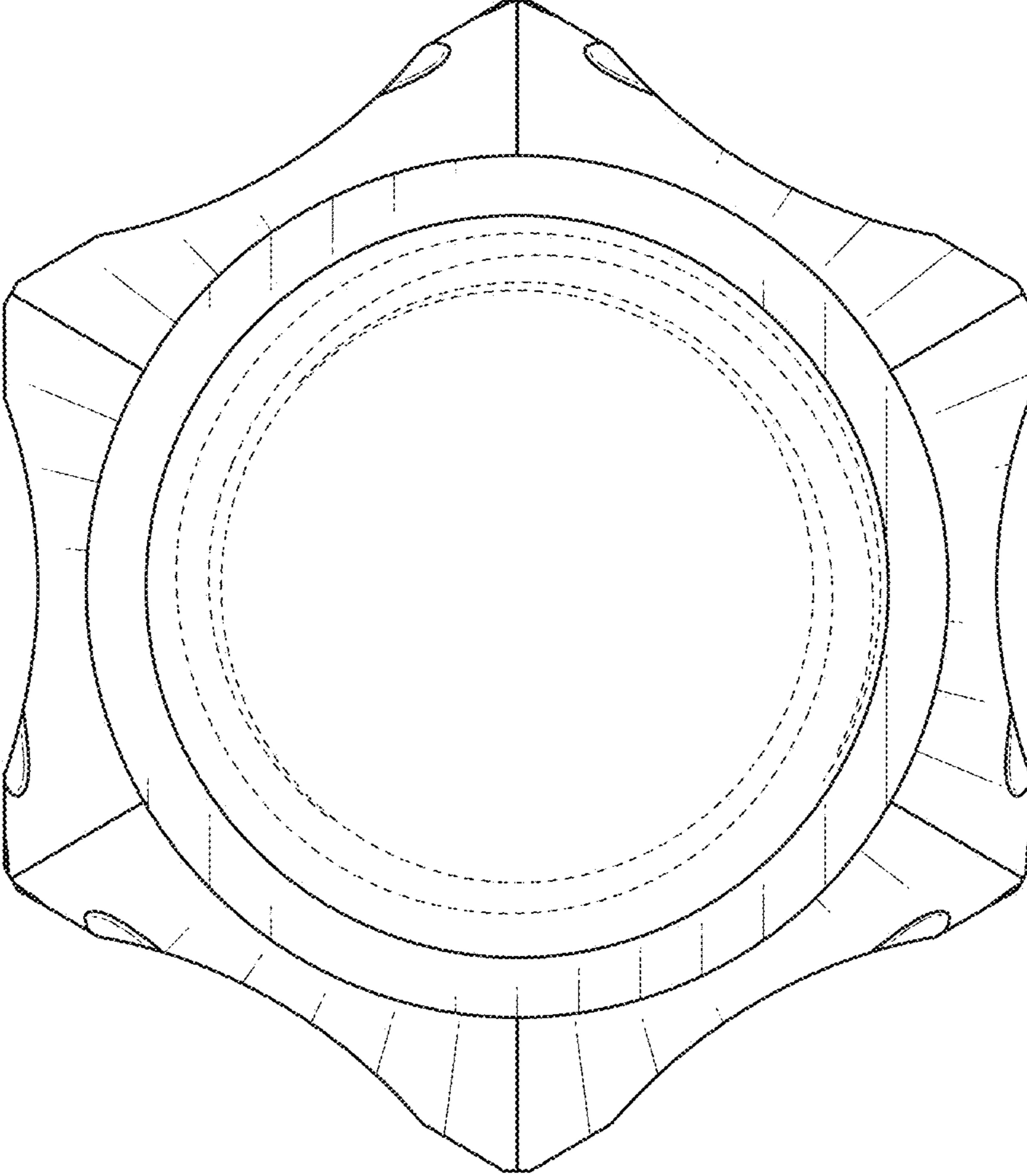


FIG. 7