



US00D990238S

(12) **United States Design Patent**
Cox

(10) **Patent No.:** **US D990,238 S**
(45) **Date of Patent:** **** Jun. 27, 2023**

- (54) **ROUND HANDLE ATTACHMENT**
- (71) Applicant: **Robert J. Cox**, Sheboygan, WI (US)
- (72) Inventor: **Robert J. Cox**, Sheboygan, WI (US)
- (**) Term: **15 Years**
- (21) Appl. No.: **29/852,437**
- (22) Filed: **Sep. 7, 2022**
- (51) **LOC (14) Cl.** **31-00**
- (52) **U.S. Cl.**
USPC **D7/412; D7/377**
- (58) **Field of Classification Search**
USPC D7/372, 376–386, 392, 393, 397, 398,
D7/412–413, 507, 533, 602, 622, 629,
D7/665–666, 669, 679, 693–694
CPC A21C 1/02; A21C 1/04; A23N 1/00; A23N
1/02; A47J 43/04; A47J 43/25; A47J
43/27; A47J 43/042; A47J 43/044; A47J
43/046; A47J 43/075; A47J 43/0722;
A47J 43/0727; A47J 43/1093; A47J
31/20; A47J 45/077; B01F 3/00; B01F
3/0807; B01F 3/0853; B01F 13/0059;
B01F 13/0064; B01F 27/115; B02C 1/08;
B02C 2/04; B02C 4/42;

(Continued)

(56) **References Cited**

U.S. PATENT DOCUMENTS

- 2,490,838 A * 12/1949 Serio A47J 45/077
294/31.2
- 2,554,642 A * 5/1951 Serio A47J 45/077
16/425

(Continued)

OTHER PUBLICATIONS

Mr. Coffee BVMC-PO19B All-in-One Pour Over Coffee Maker.
Date First Available on Amazon.com Sep. 14, 2019. <https://www.amazon.com/dp/B07QLNN7C4/ref> (Year: 2019).*

Primary Examiner — Ricky Pham
(74) *Attorney, Agent, or Firm* — Ceres Patent & Technology, LLC; Mandy L. Tran

(57) **CLAIM**

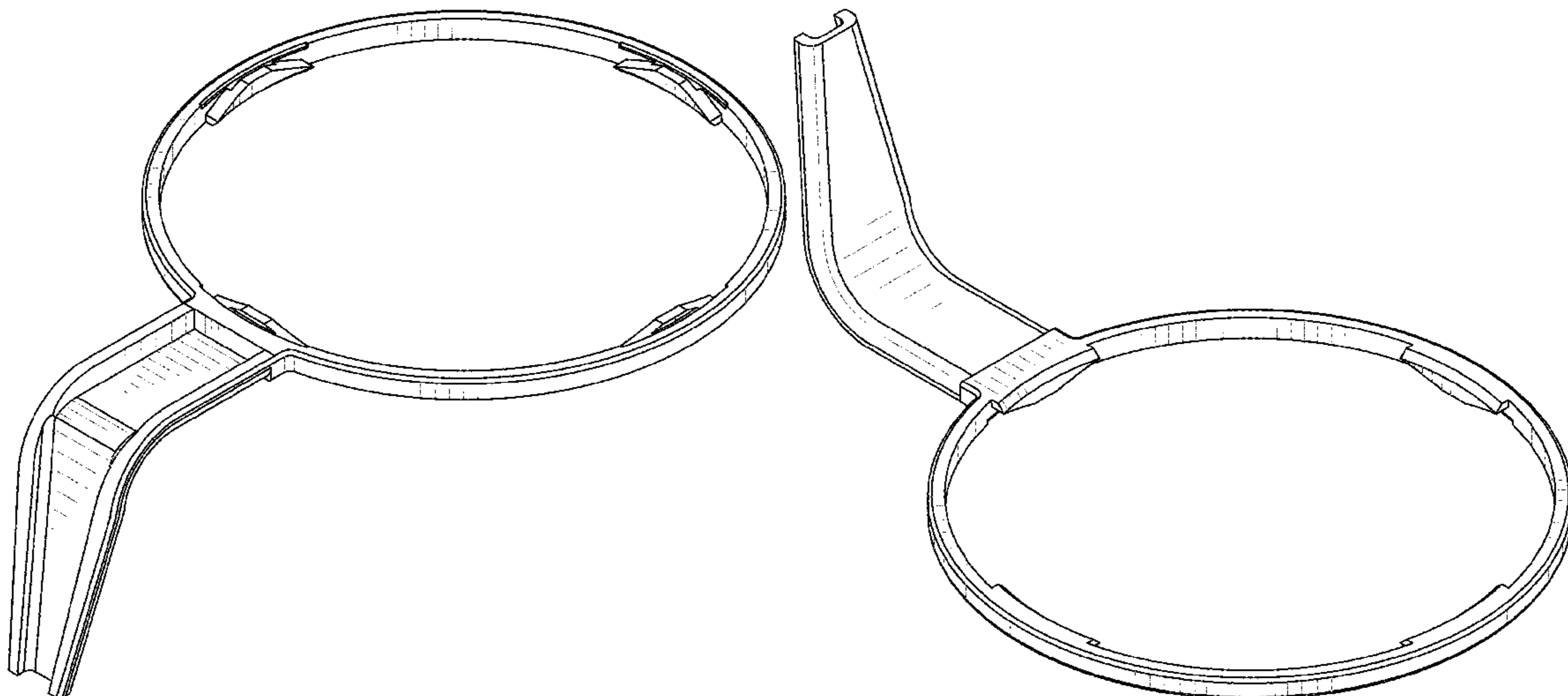
I claim the ornamental design for a round handle attachment, as shown and described.

DESCRIPTION

A portion of the disclosure of this patent document contains material that is subject to copyright protection. The copyright owner has no objection to the facsimile reproduction by anyone of the patent document or patent disclosure as it appears in the Patent and Trademark office, patent file or records, but otherwise reserves all copyright rights whatsoever.

- FIG. 1 is a top and rear side view of the claimed design.
- FIG. 2 is a bottom and rear side view of the claimed design.
- FIG. 3 is a bottom view of the claimed design.
- FIG. 4 is a top view of the claimed design.
- FIG. 5 is a front side view of the claimed design.
- FIG. 6 is a rear side view of the claimed design.
- FIG. 7 is a right side view of the claimed design.
- FIG. 8 is a left side view of the claimed design.
- FIG. 9 is a bottom view of the claimed design with indication of areas of cross section.
- FIG. 10 is a cross-sectional view of the internal surface of the right side of the claimed design according to the presentation of FIG. 9.
- FIG. 11 is a cross-sectional view of the internal surface of the front side of the claimed design according to the presentation of FIG. 9.
- FIG. 12 is a bottom view of the claimed design with indication of areas of cross section.
- FIG. 13 is a cross-sectional view of the internal surface of the left side of the claimed design according to the presentation of FIG. 12; and,
- FIG. 14 is a cross-sectional view of the internal surface of the front bottom side of the claimed design according to the presentation of FIG. 12.

1 Claim, 6 Drawing Sheets



(58) **Field of Classification Search**

CPC B02C 4/142; B02C 4/143; B02C 4/423;
B02C 13/1835; B28C 5/10; B28C 5/12;
B28C 5/14; B28C 5/16; B65D 25/2817;
B65D 85/72

See application file for complete search history.

(56) **References Cited**

U.S. PATENT DOCUMENTS

D370,384 S *	6/1996	Shamis	D7/393
D475,577 S *	6/2003	Kung	D7/533
D646,524 S *	10/2011	Kortleven	D7/533
D750,426 S *	3/2016	Bann	D7/393
D796,912 S *	9/2017	Redfern	B65D 25/2817
			D7/622
D812,984 S *	3/2018	Seiders	D7/622
D817,080 S *	5/2018	Seidl	A47J 43/25
			D7/377
10,034,580 B2 *	7/2018	Seiders	B65D 85/72
D936,412 S *	11/2021	Lissoni	D7/377
D978,615 S *	2/2023	Mock	D7/378
2020/0113369 A1 *	4/2020	Bardot	A47J 31/20

* cited by examiner

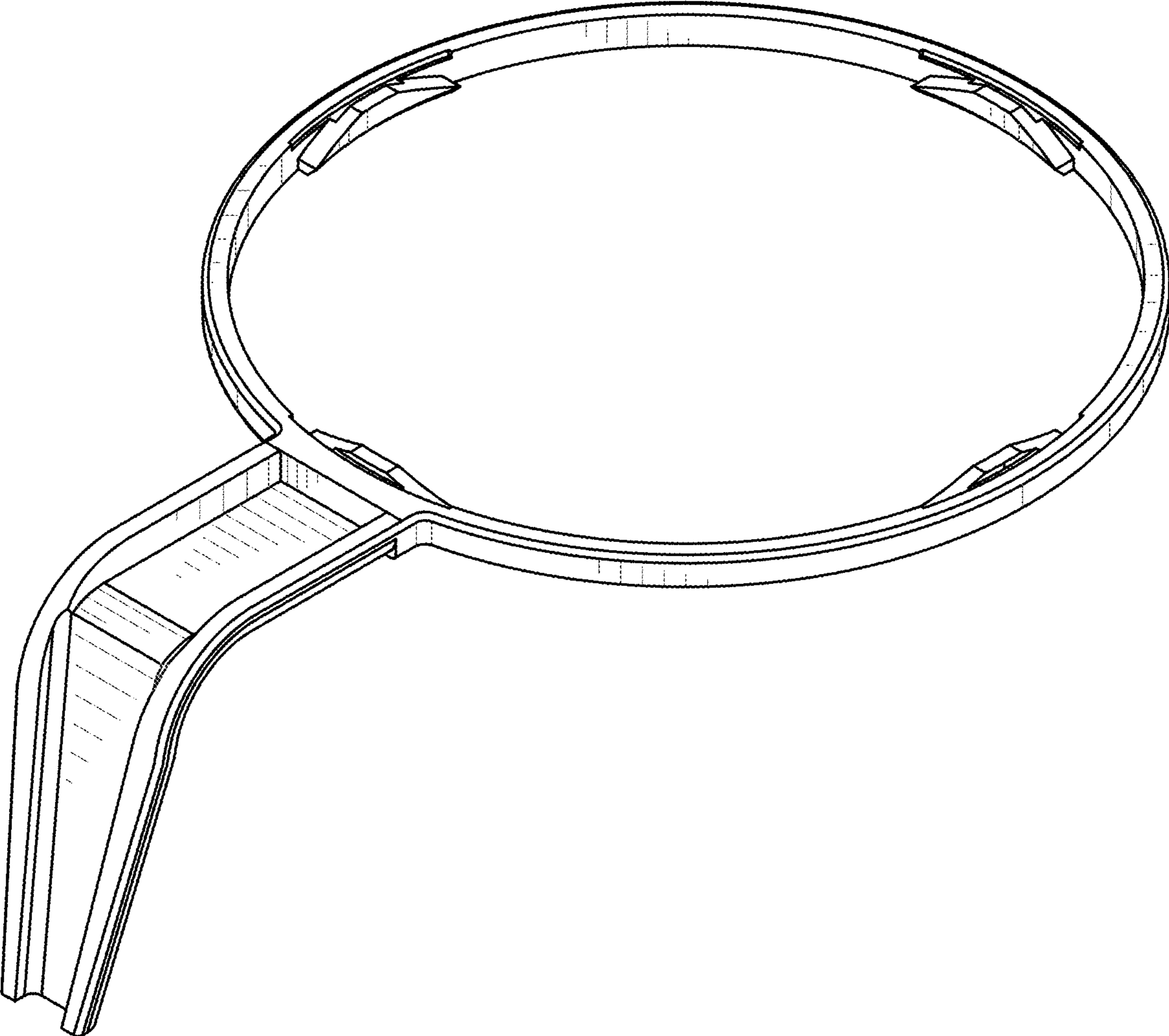


FIG. 1

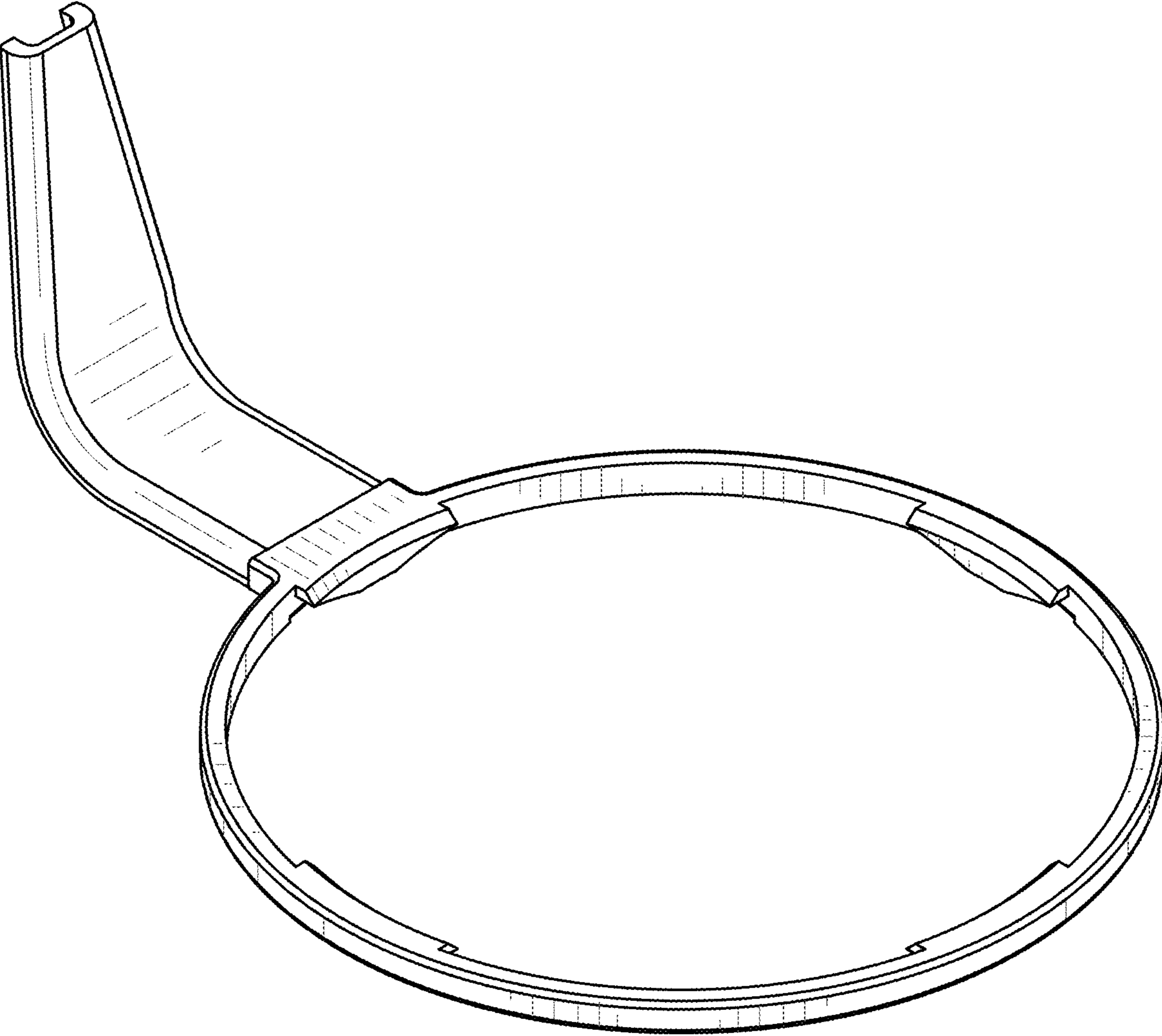


FIG. 2

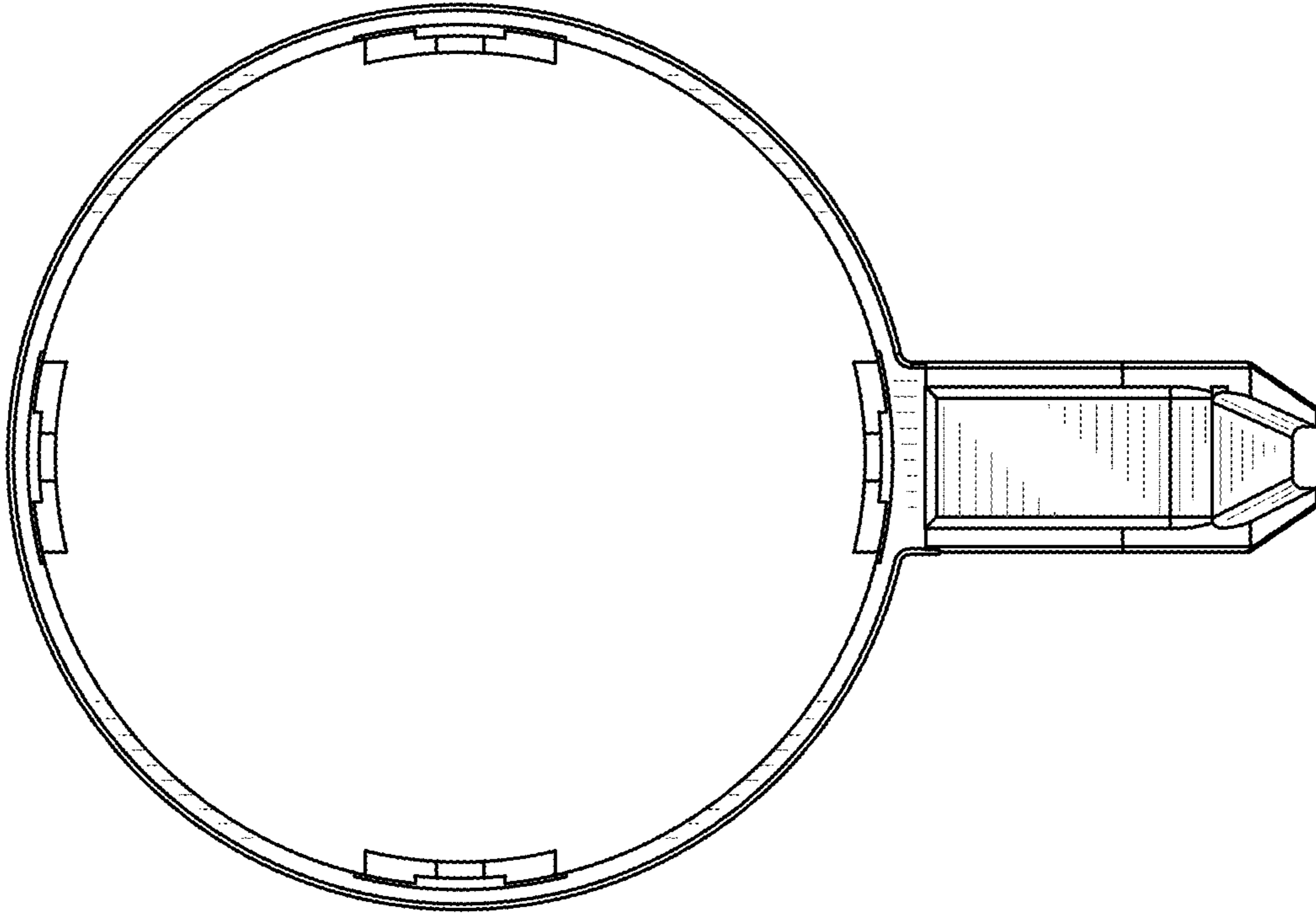


FIG. 4

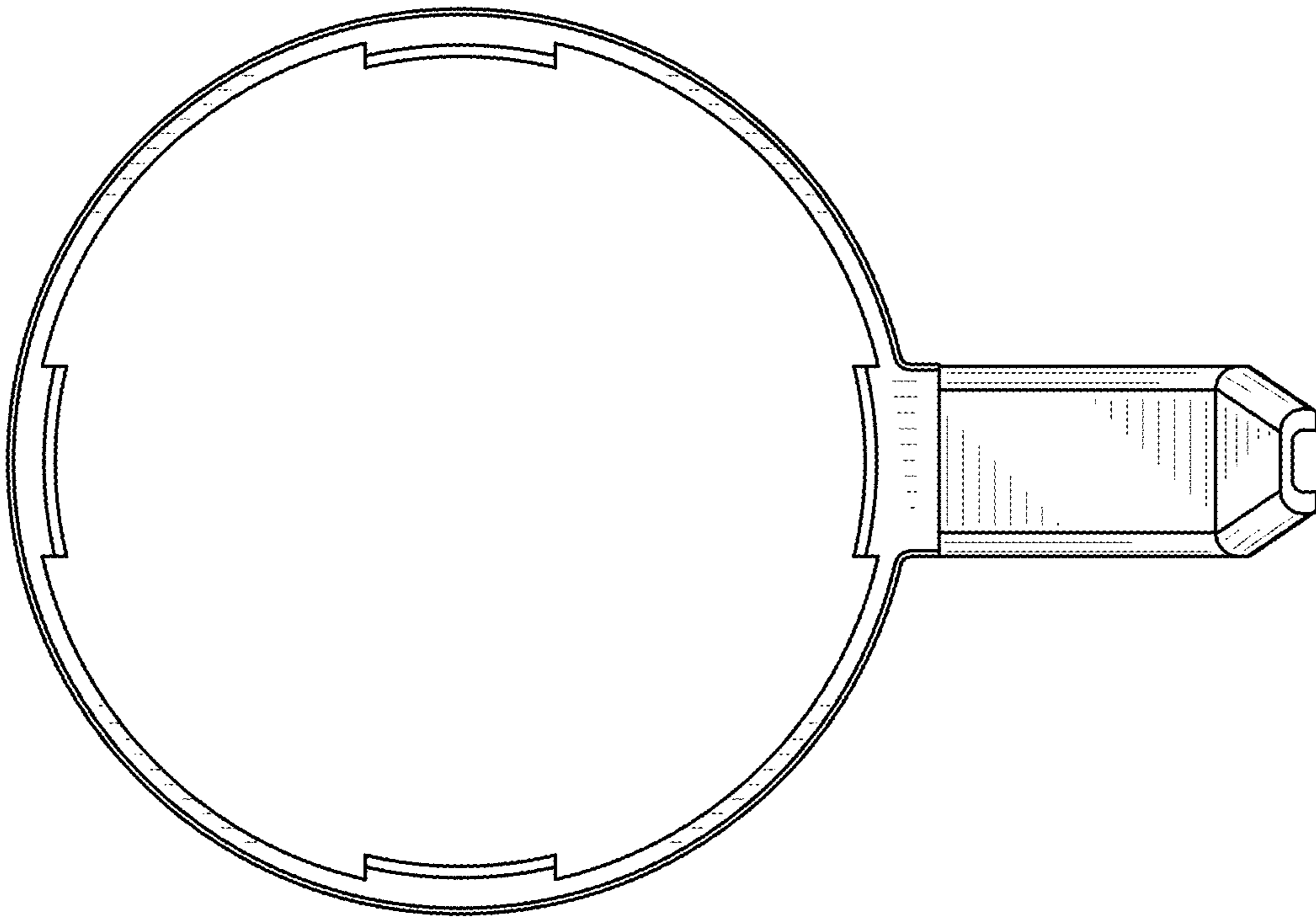


FIG. 3

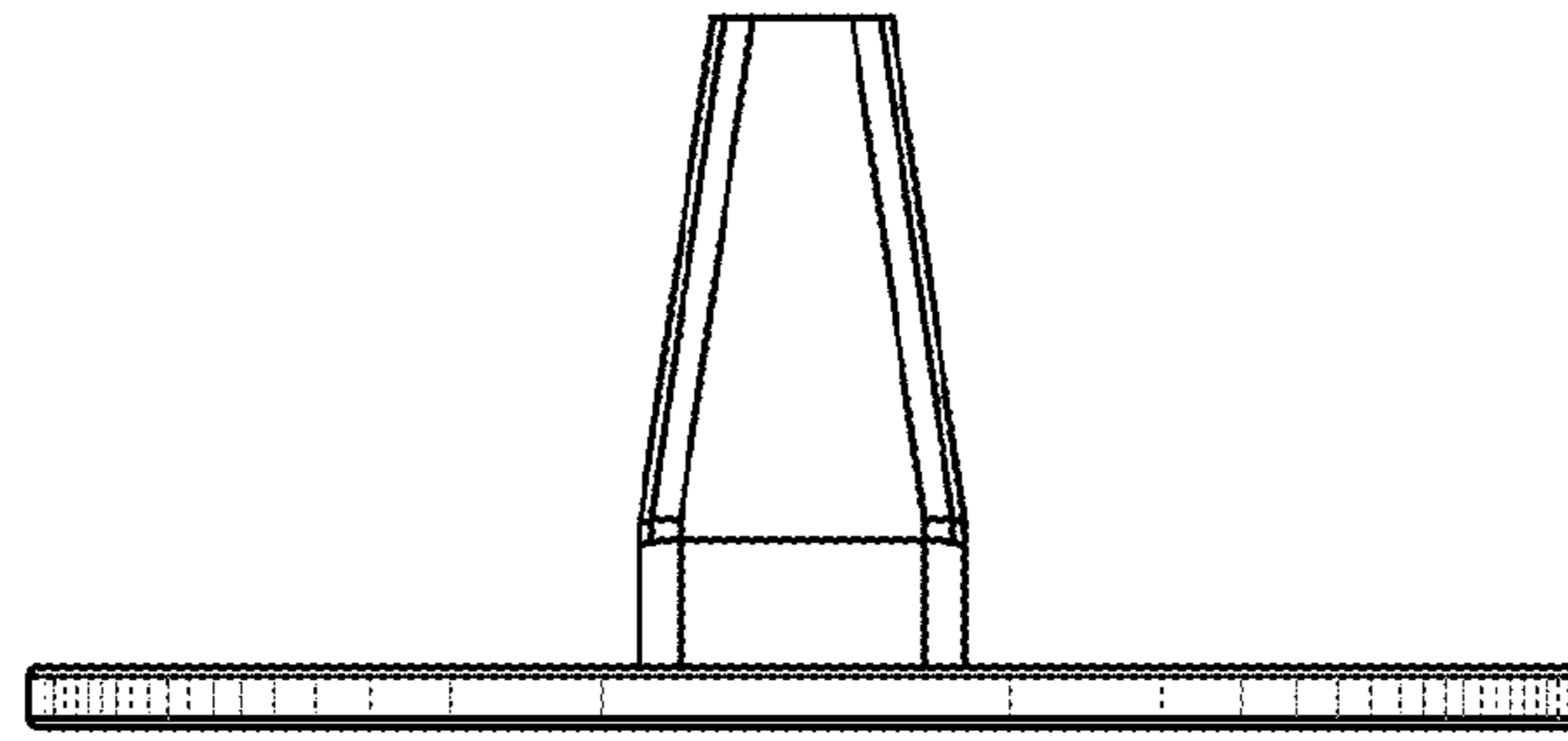


FIG. 5

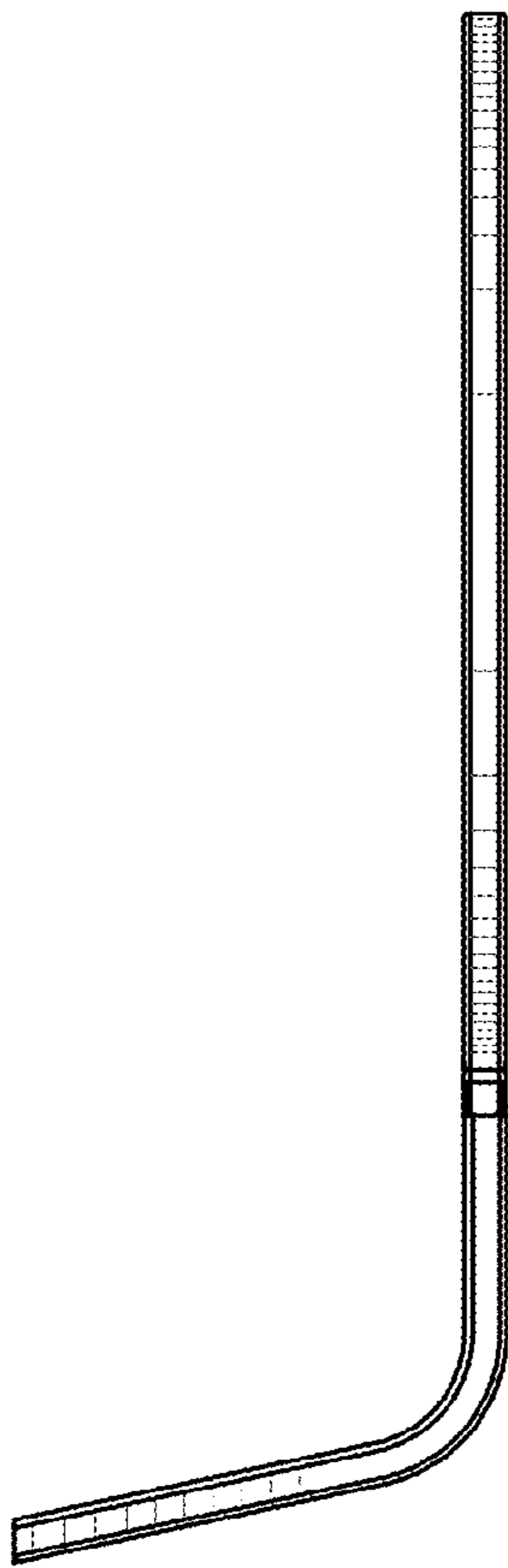


FIG. 7

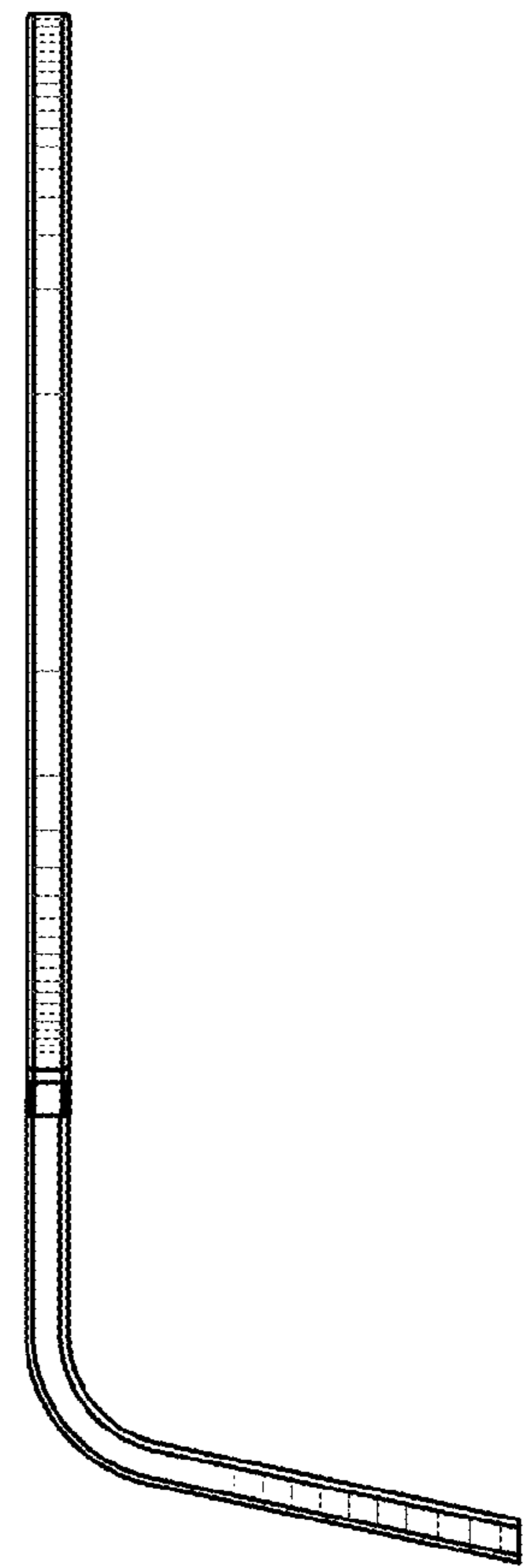


FIG. 8

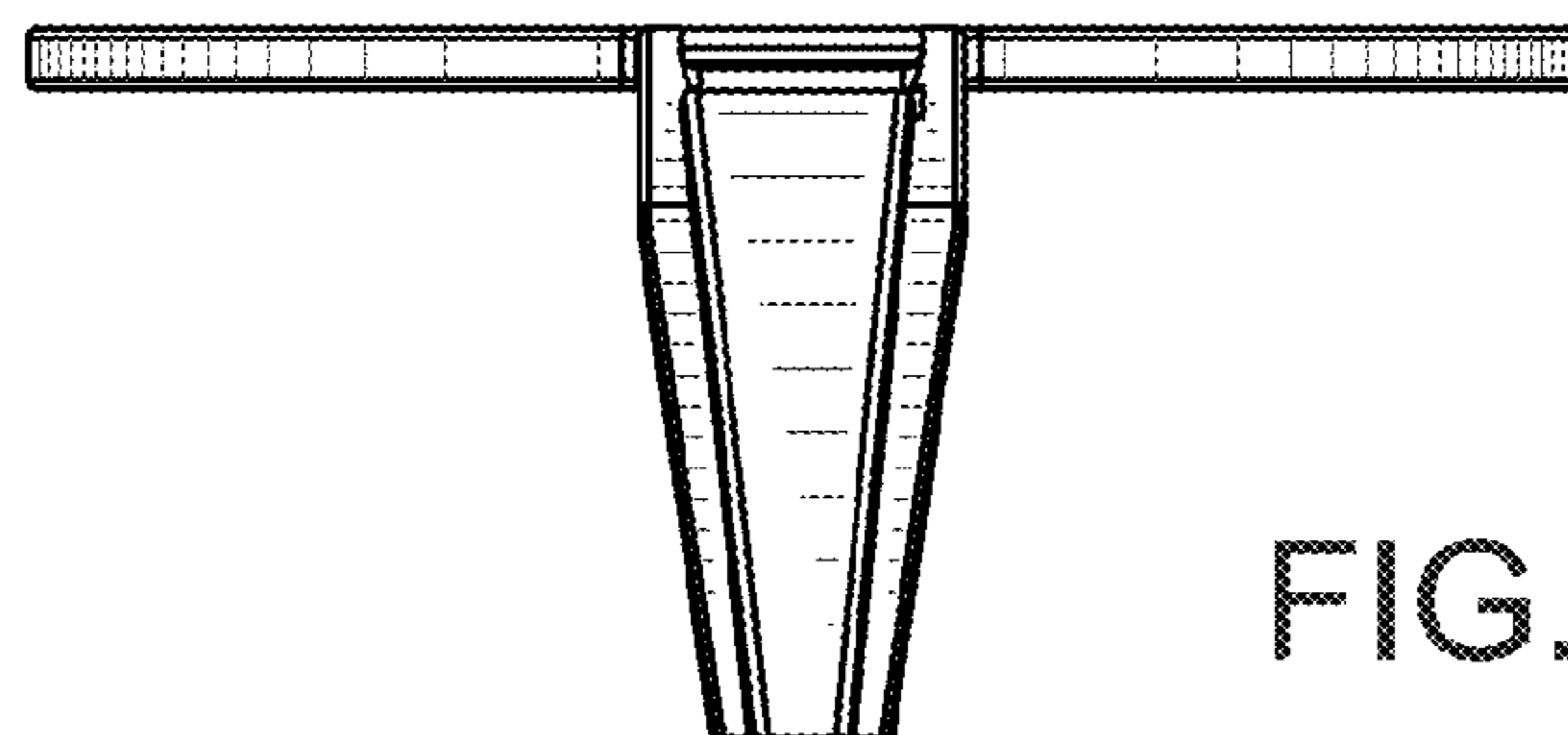


FIG. 6

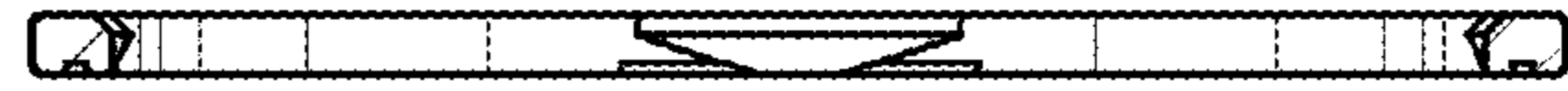


FIG. 11



FIG. 10

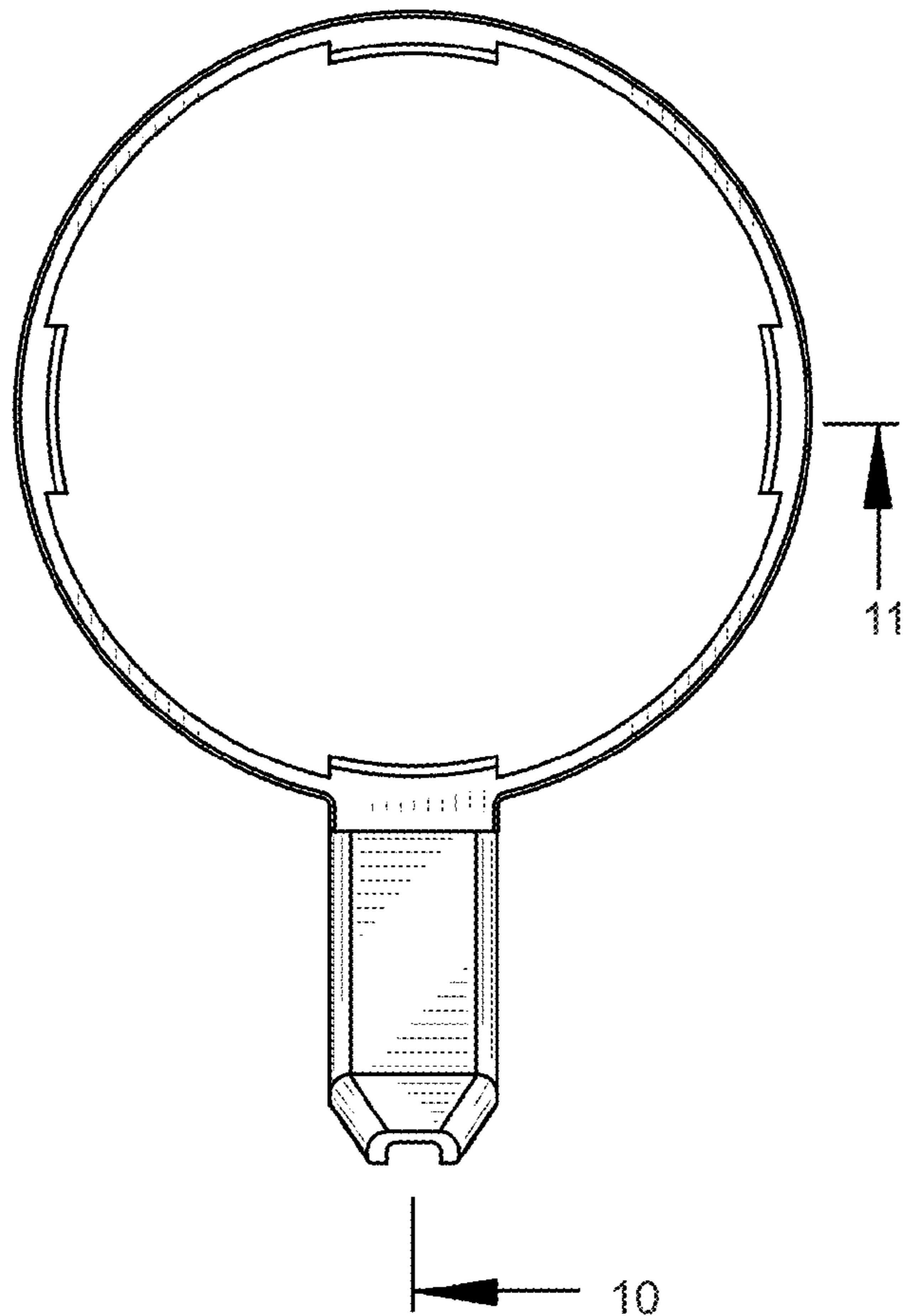


FIG. 9

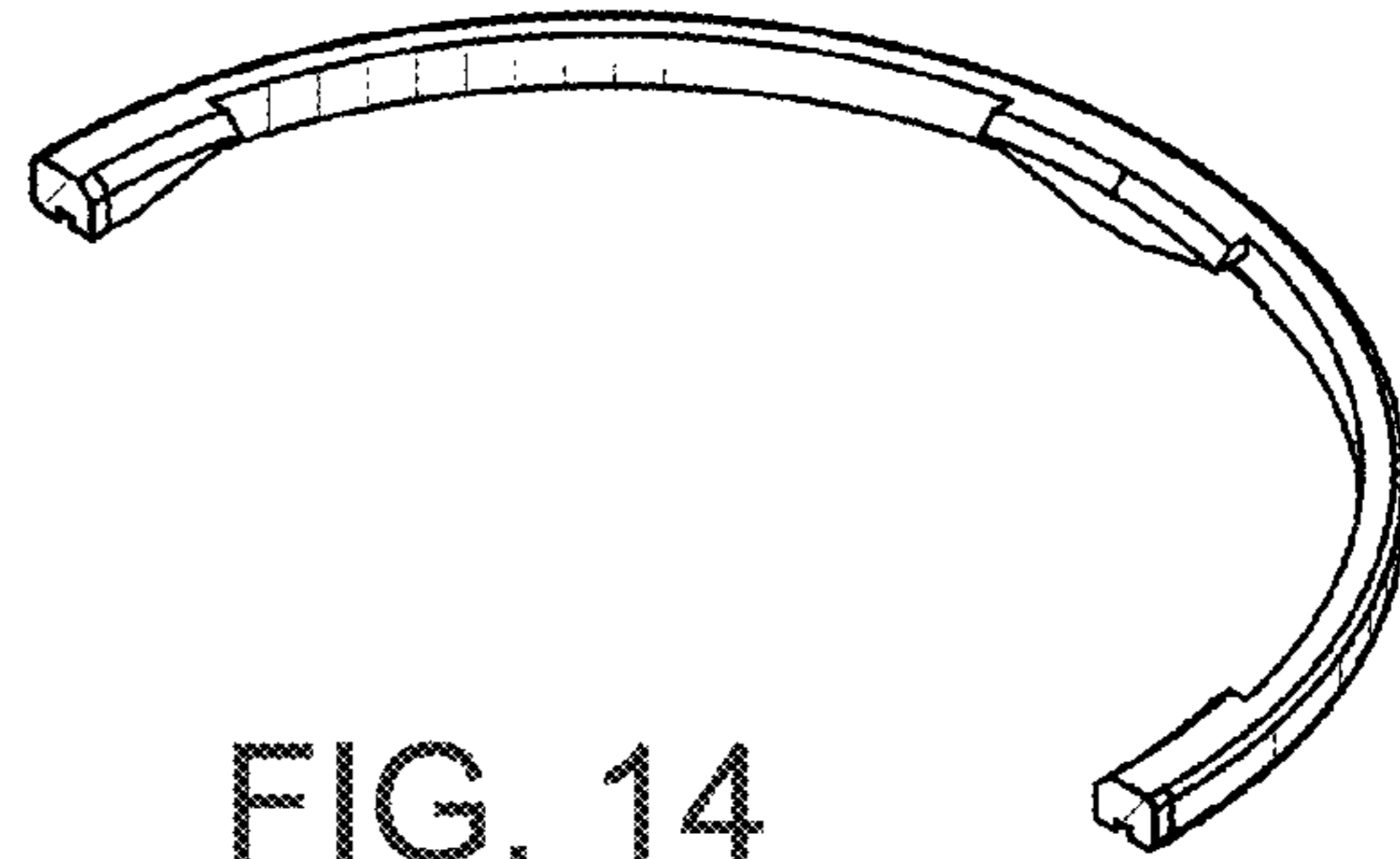


FIG. 14

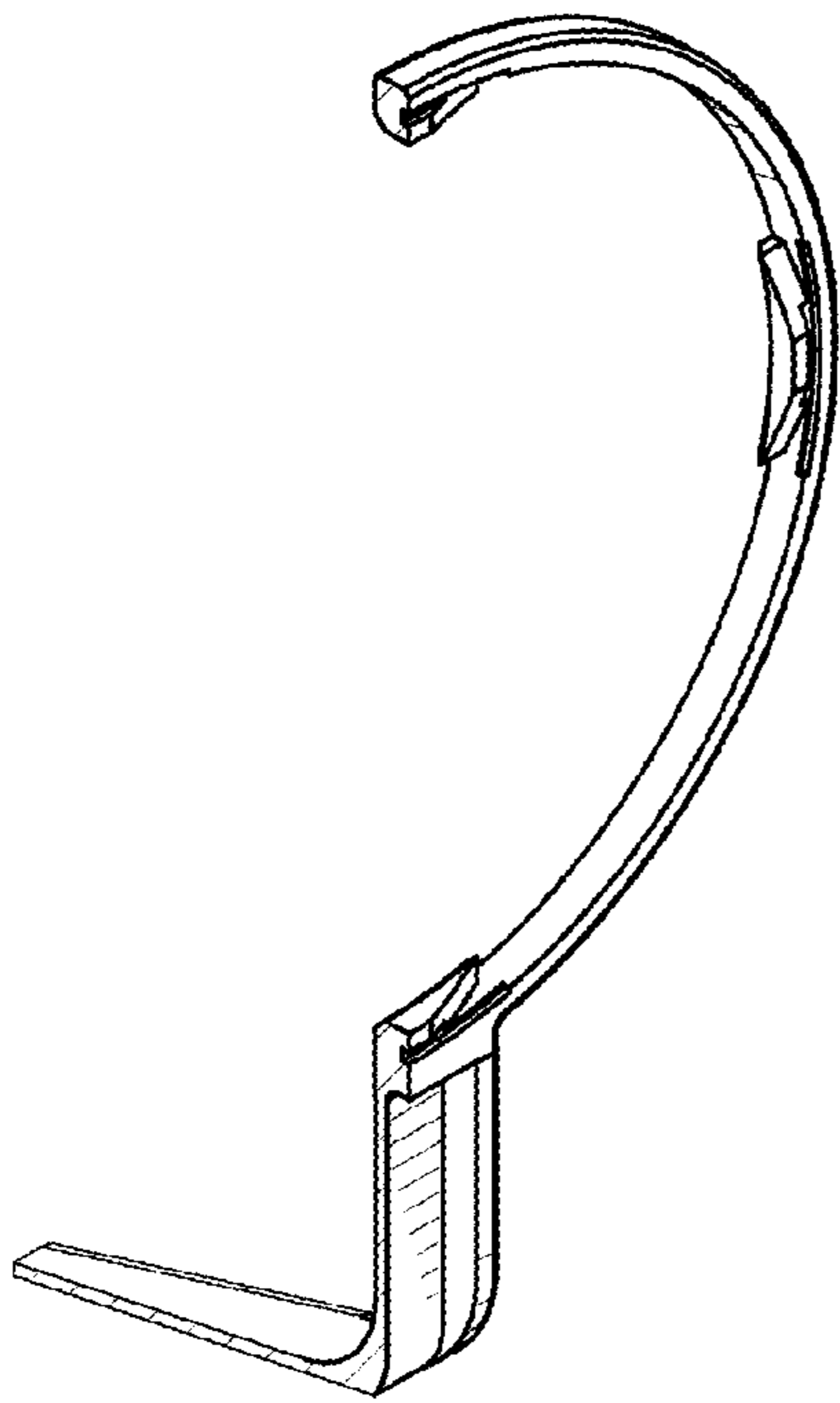


FIG. 13

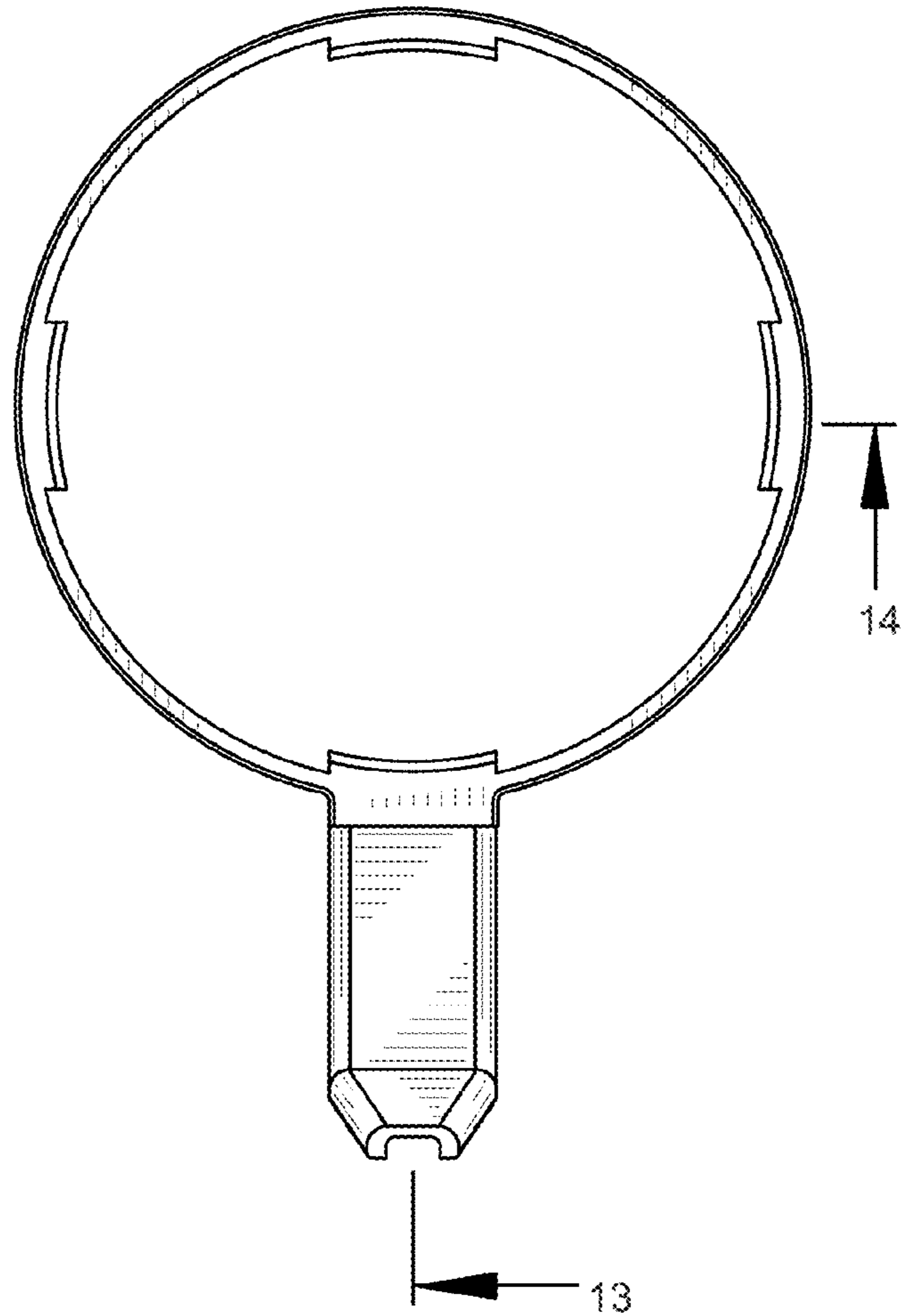


FIG. 12