



US00D990235S

(12) **United States Design Patent**
Hunt

(10) **Patent No.:** **US D990,235 S**
(45) **Date of Patent:** **** Jun. 27, 2023**

(54) **CHAFFER SKIRT**

(71) Applicant: **Robert Leander Hunt**, Bowie, MD
(US)

(72) Inventor: **Robert Leander Hunt**, Bowie, MD
(US)

(**) Term: **15 Years**

(21) Appl. No.: **29/808,561**

(22) Filed: **Sep. 21, 2021**

Related U.S. Application Data

(63) Continuation-in-part of application No. 17/459,383,
filed on Aug. 27, 2021.

(51) **LOC (14) Cl.** **07-02**

(52) **U.S. Cl.**
USPC **D7/409**

(58) **Field of Classification Search**

USPC D7/323, 332, 335-337, 354-357,
D7/359-364, 387-388, 402, 407-409;
D9/456, 760, 761

CPC A21B 2/00; A21B 3/00; A21B 3/13; A21B
3/15; A21B 3/132; A21B 3/133; A21B
3/134; A21B 3/155; A21B 5/00; A21B
5/02; A23N 12/06; A23N 12/08; A23N
12/10; A47J 36/022; A47J 36/36; A47J
36/2405; A47J 36/2477; A47J 37/00;
A47J 37/04; A47J 37/041; A47J 37/042;
A47J 37/06; A47J 37/0611; A47J
37/0688; A47J 37/0694; A47J 37/07;
A47J 37/0704; A47J 37/0713; A47J
37/0786; A47J 37/10; A47J 47/20; A47J
2037/00; A47J 2037/06; A47J 2037/0611;
A47J 2037/07; A47J 2037/0786; A47J
2037/0795; A47J 27/10; A47J 39/006;
F24C 15/10; F24C 15/12; F24C 15/14;
F24C 15/16; F24C 15/18; F24C 15/164;
A62C 8/06; F28F 25/12

See application file for complete search history.

(56) **References Cited**

U.S. PATENT DOCUMENTS

1,461,974 A *	7/1923	Driver	A21B 3/133 249/117
2,216,147 A *	10/1940	Ward	A21B 3/133 220/641
2,738,897 A *	3/1956	Russell	A21B 3/13 220/573.1
3,572,537 A *	3/1971	Baltzer	A21B 3/134 220/684
4,838,446 A *	6/1989	Ali	A47J 36/2477 D7/366
5,819,640 A *	10/1998	Cuomo	A47J 27/10 126/45
5,881,637 A *	3/1999	Strickel	A62C 8/06 D7/366
D700,002 S *	2/2014	Lupo, Jr.	D7/354
10,307,015 B1 *	6/2019	Shane	A47J 39/006
11,406,221 B2 *	8/2022	Craig	A47J 36/36
2012/0118513 A1 *	5/2012	Melhuish	F28F 25/12 292/195

(Continued)

Primary Examiner — Ricky Pham

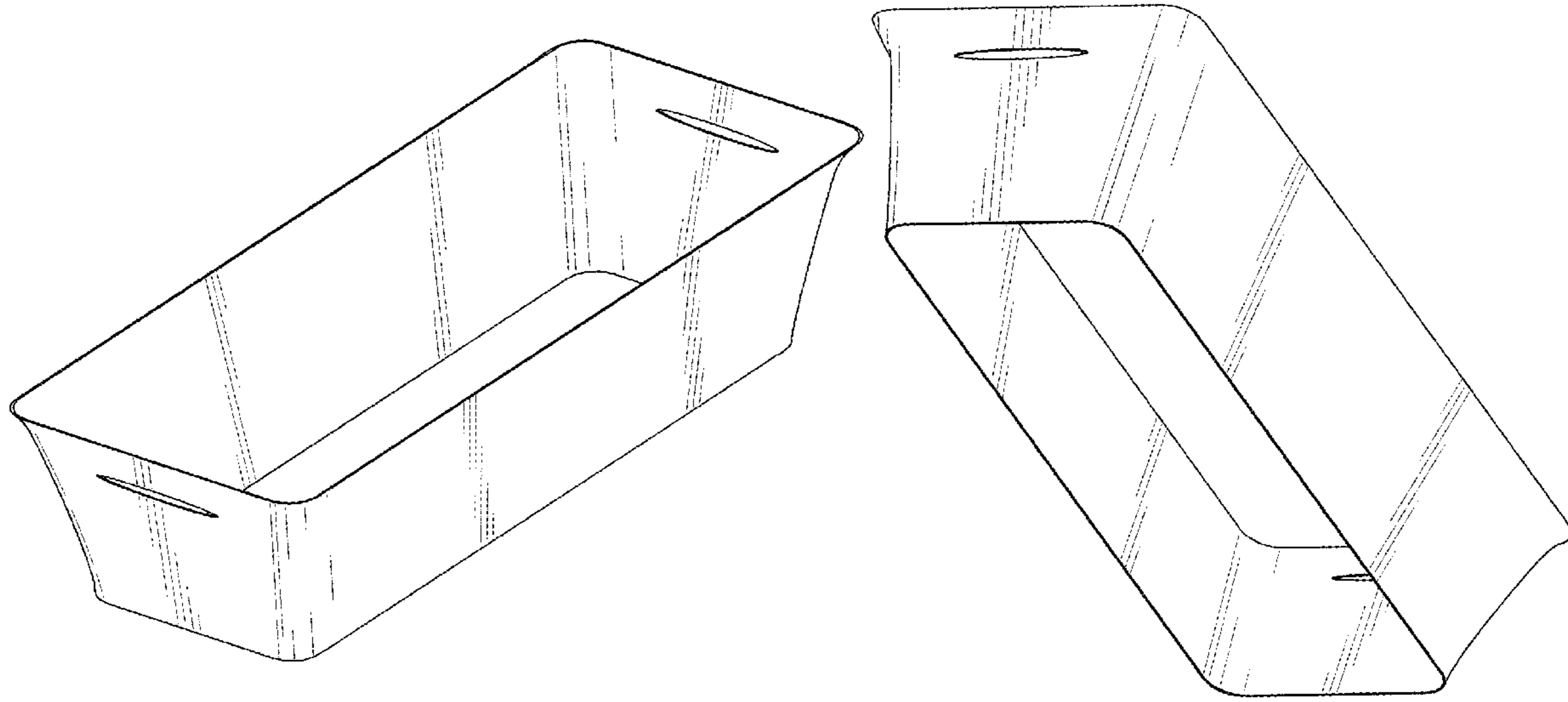
(57) **CLAIM**

The ornamental design for a chaffer skirt, as shown and described.

DESCRIPTION

FIG. 1 is a front-top-left perspective view of a chaffer skirt showing my new design;
FIG. 2 is a rear-bottom-right perspective view thereof;
FIG. 3 is a front elevational view thereof;
FIG. 4 is a rear elevational view thereof;
FIG. 5 is a left elevational view thereof;
FIG. 6 is a right elevational view thereof;
FIG. 7 is a top plan view thereof; and,
FIG. 8 is a bottom plan view thereof.

1 Claim, 8 Drawing Sheets



(56)

References Cited

U.S. PATENT DOCUMENTS

2018/0235400 A1* 8/2018 Jones A47J 36/2405
2019/0191924 A1* 6/2019 Smalls A47J 36/2405

* cited by examiner

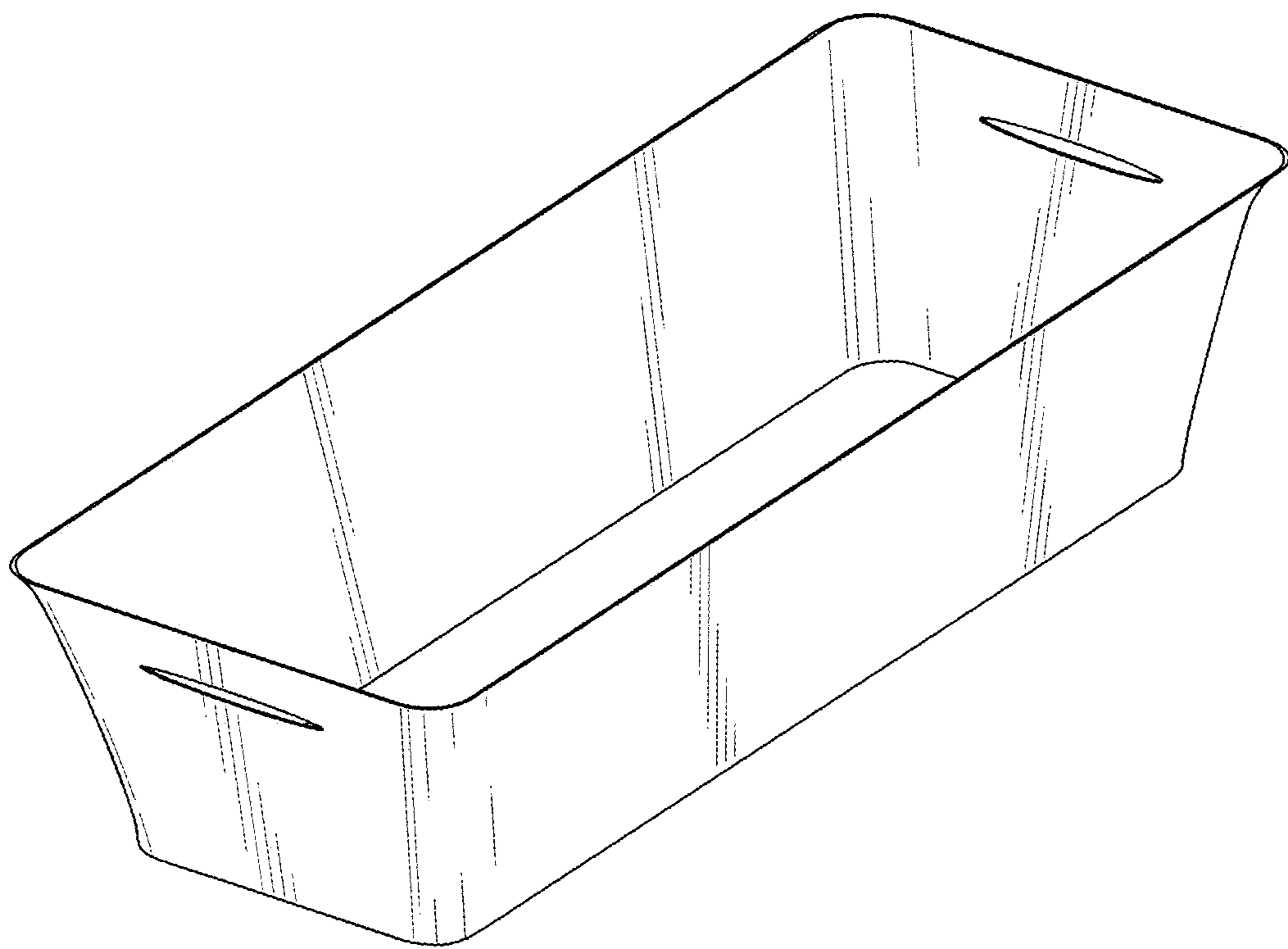


FIG. 1

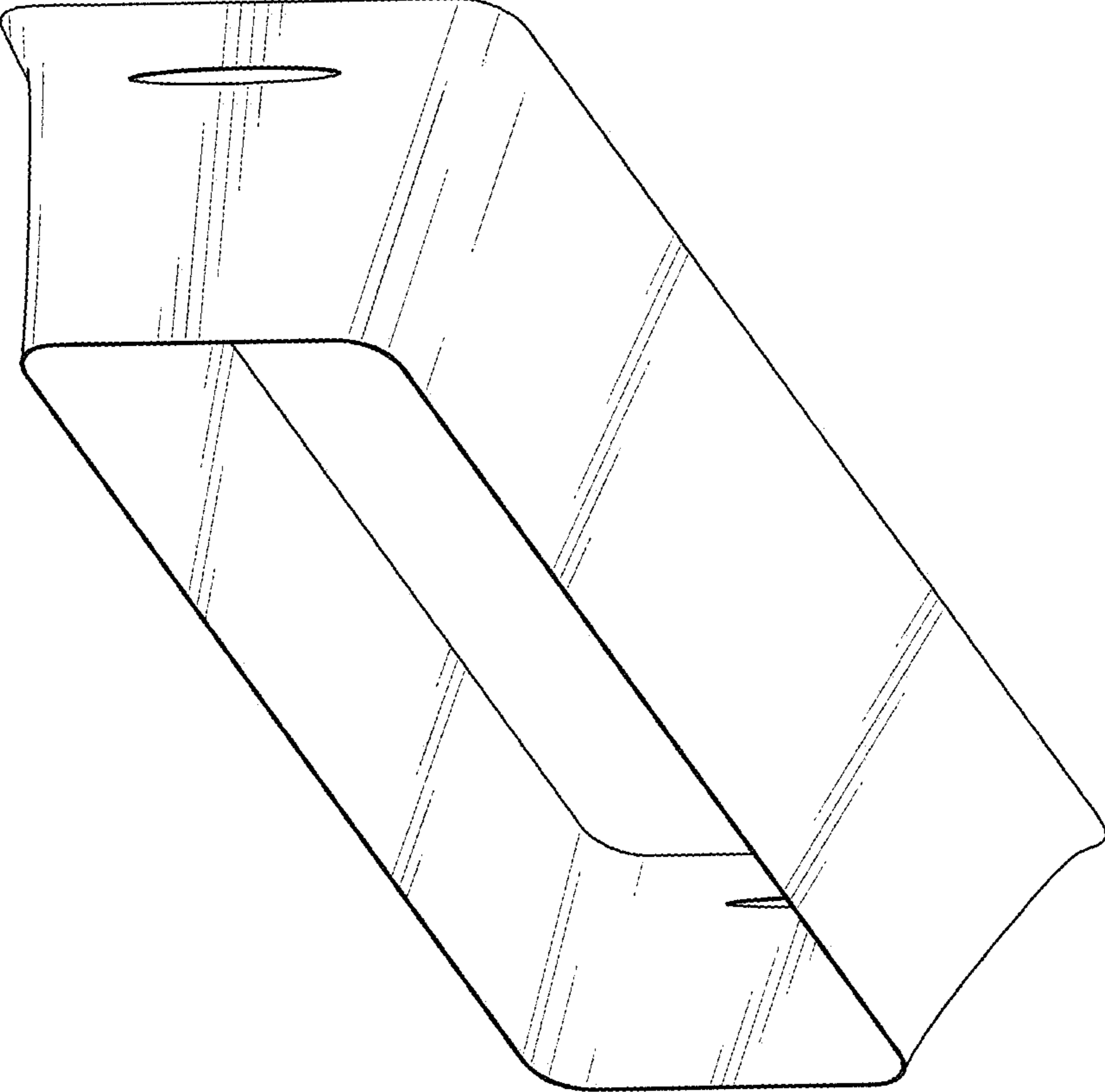


FIG. 2

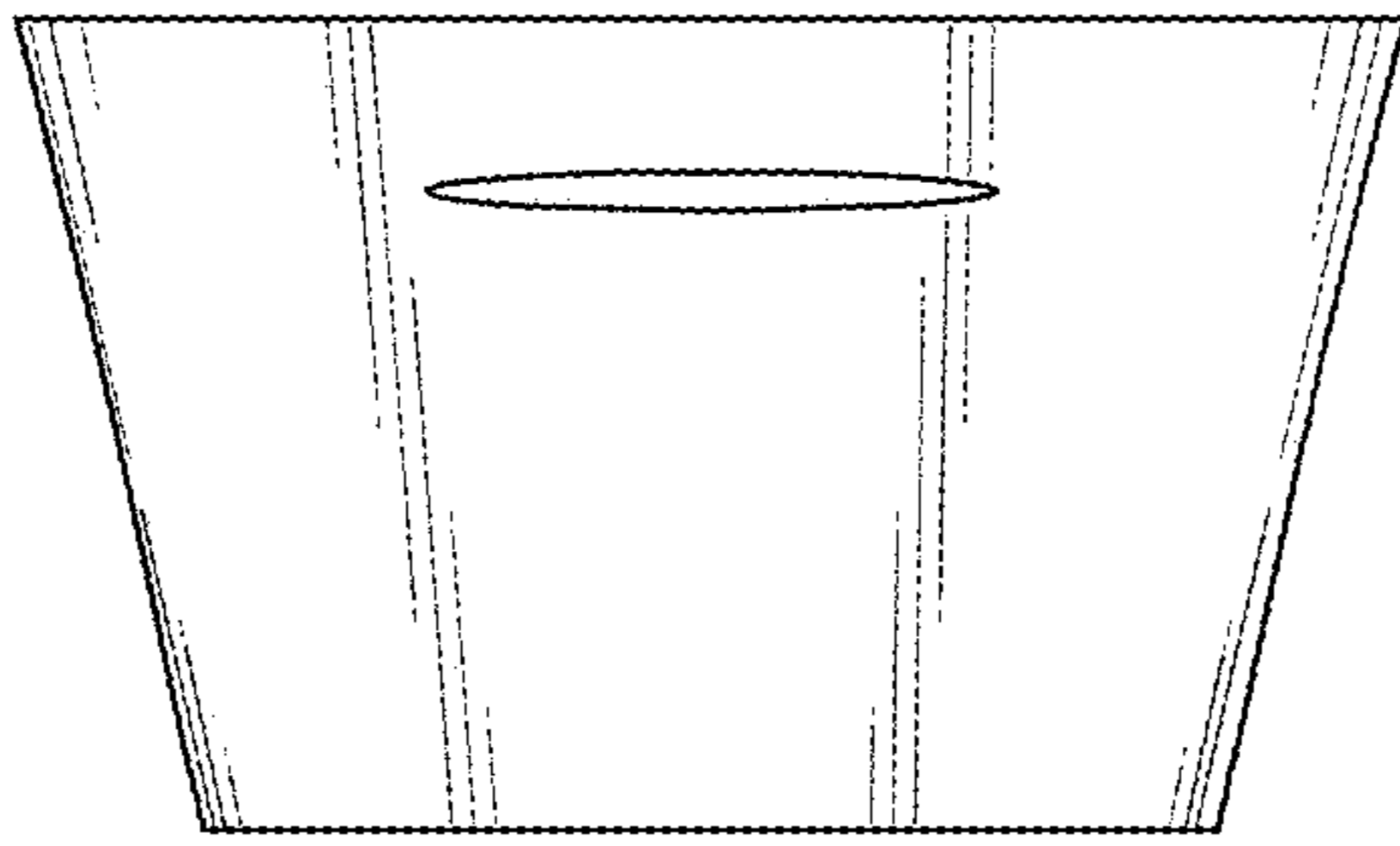


FIG. 3

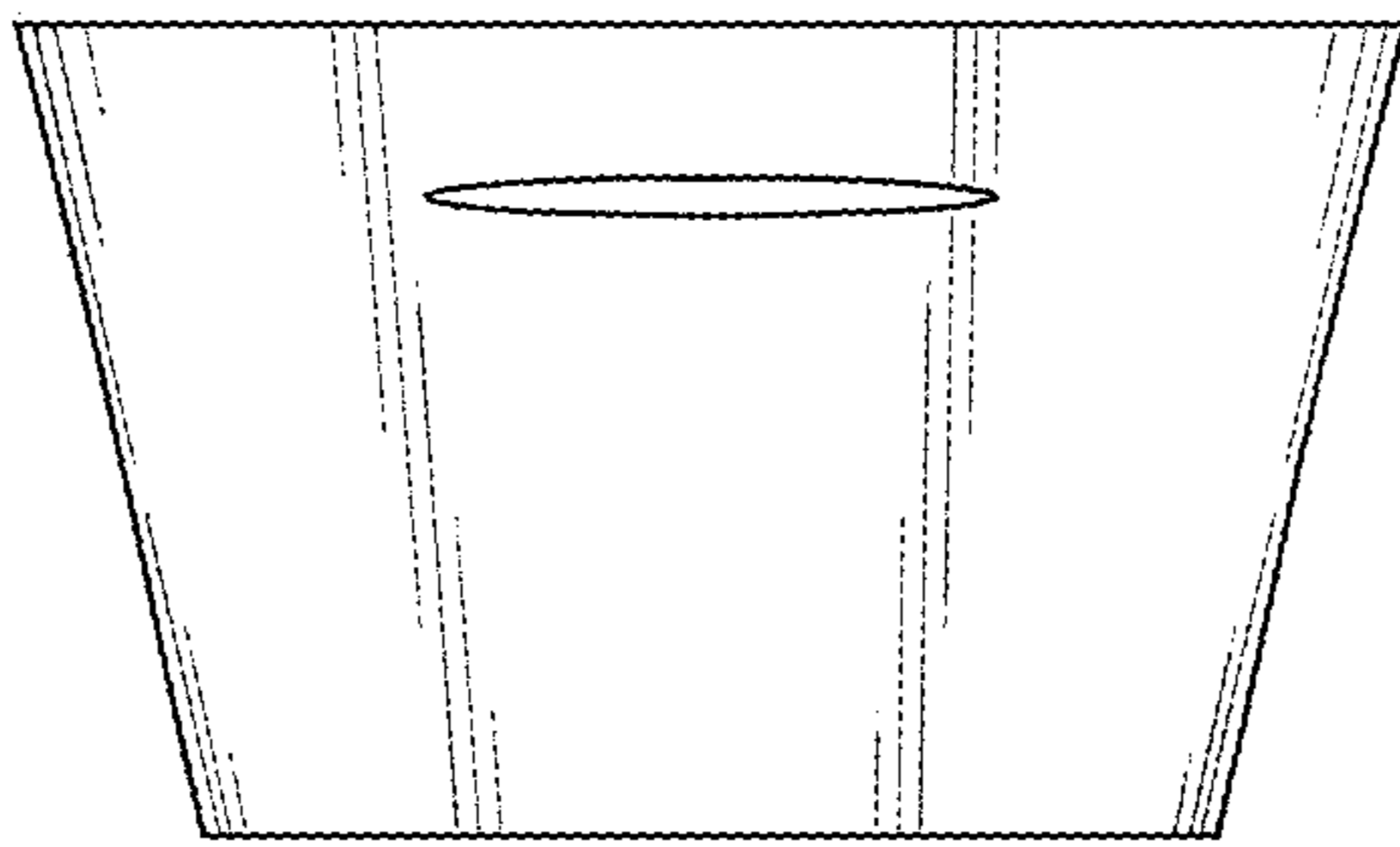


FIG. 4

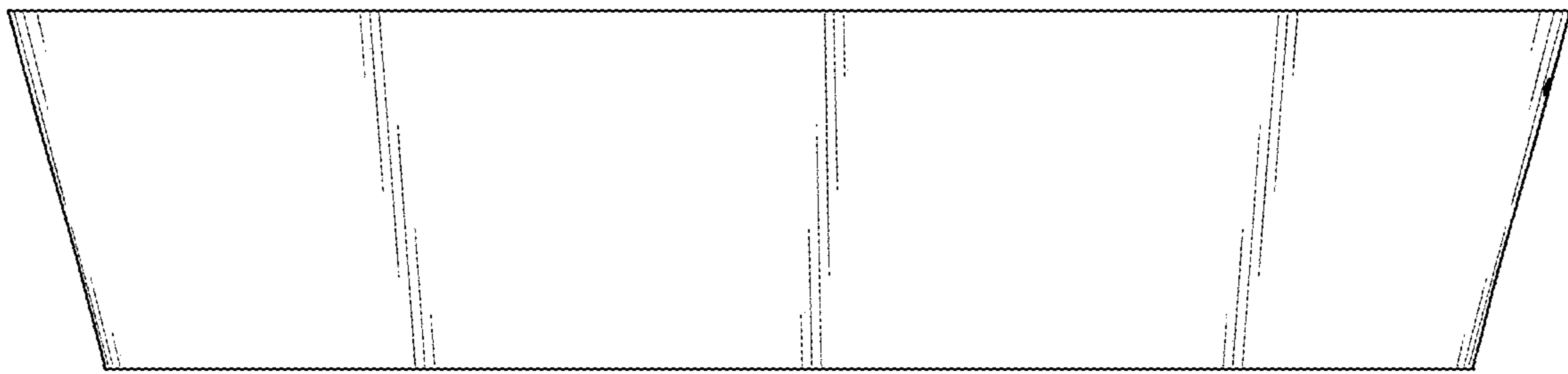


FIG. 5

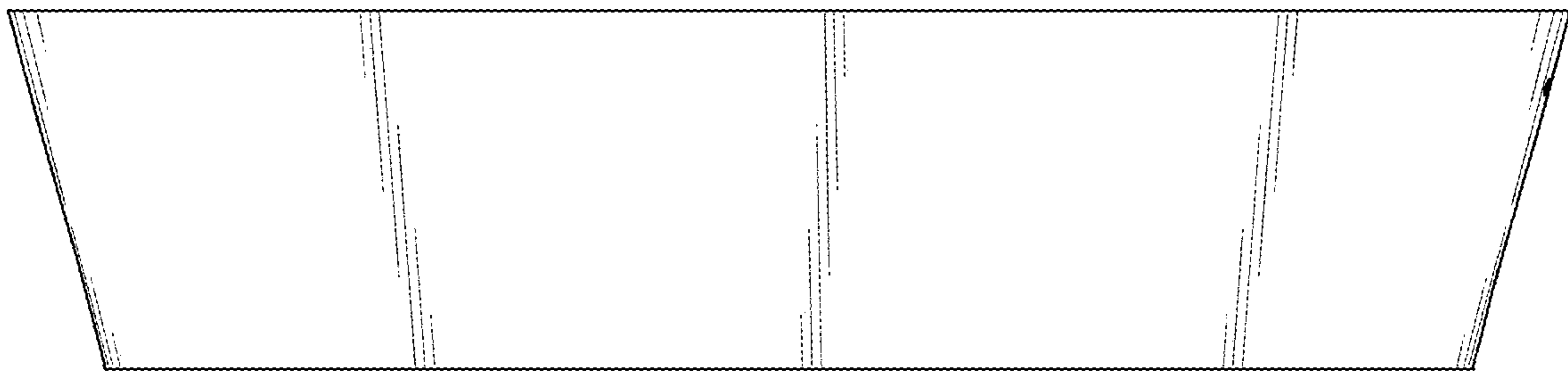


FIG. 6

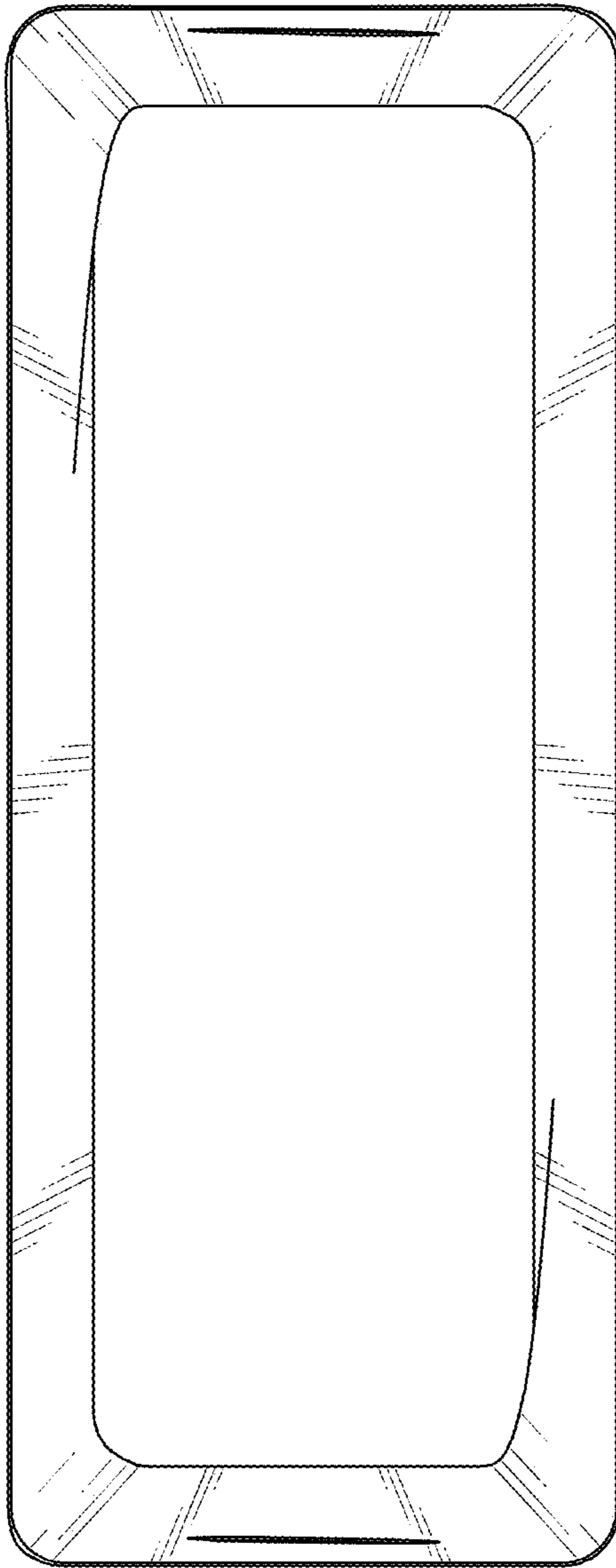


FIG. 7

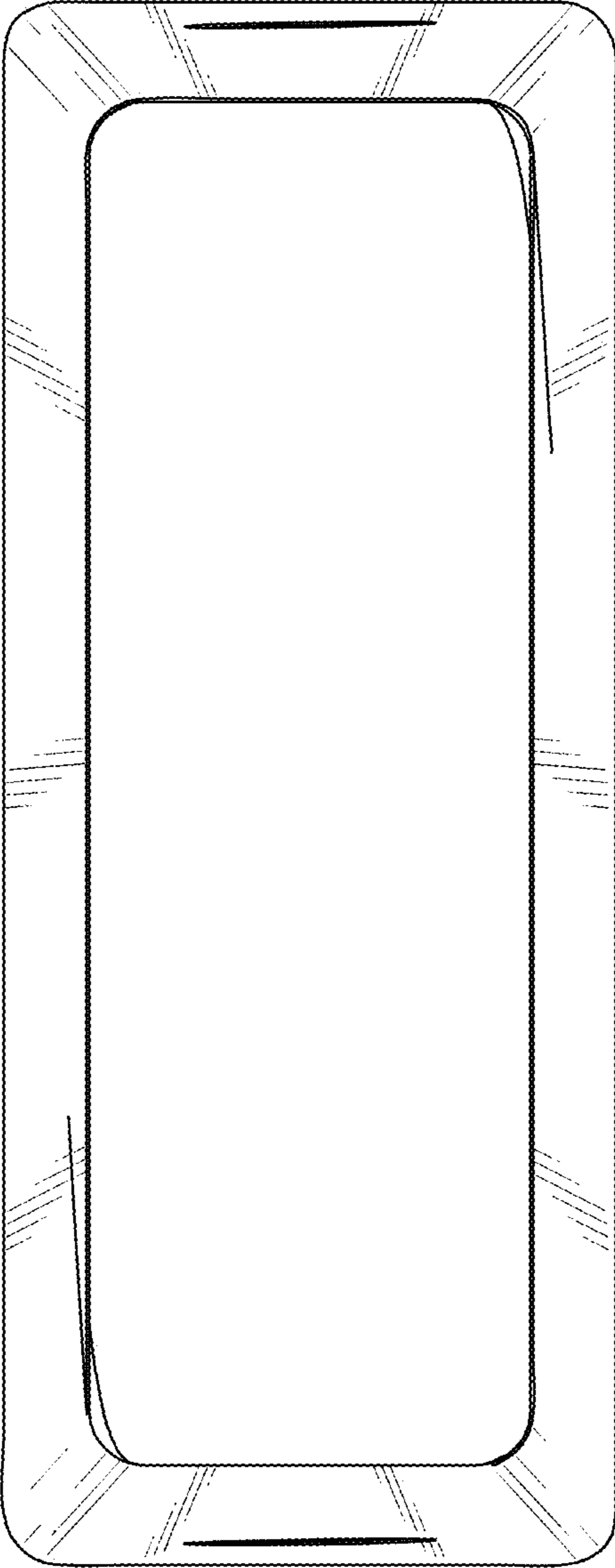


FIG. 8