



US00D990223S

(12) **United States Design Patent**
Song

(10) **Patent No.:** **US D990,223 S**
(45) **Date of Patent:** **** Jun. 27, 2023**

- (54) **ELECTRIC MILK FROTHER**
- (71) Applicant: **ZHUHAI CHEER TECHNOLOGY CO., LTD.,** Zhuhai (CN)
- (72) Inventor: **Xiaoxian Song,** Zhuhai (CN)
- (73) Assignee: **ZHUHAI CHEER TECHNOLOGY CO., LTD.,** Zhuhai (CN)
- (**) Term: **15 Years**
- (21) Appl. No.: **29/851,678**
- (22) Filed: **Aug. 31, 2022**
- (51) **LOC (14) Cl.** **31-00**
- (52) **U.S. Cl.**
USPC **D7/379; D7/376; D7/377; D7/378**
- (58) **Field of Classification Search**
USPC D7/372, 376–386, 397, 412–413, 602, D7/629, 665–666, 669, 679, 693–694
CPC A21C 1/02; A21C 1/04; A23N 1/00; A23N 1/02; A47J 43/04; A47J 43/25; A47J 43/27; A47J 43/042; A47J 43/044; A47J 43/046; A47J 43/075; A47J 43/0722; A47J 43/0727; A47J 43/1093; B01F 3/00; B01F 3/0807; B01F 3/0853; B01F 13/0059; B01F 13/0064; B02C 1/08; B02C 2/04; B02C 4/42; B02C 4/142; B02C 4/143; B02C 4/423; B02C 13/1835; B28C 5/10; B28C 5/12; B28C 5/14; B28C 5/16
See application file for complete search history.

D856,746 S *	8/2019	Du	D7/380
D867,052 S *	11/2019	Du	D7/379
D884,413 S *	5/2020	Zhu	D7/380
D911,095 S *	2/2021	Koszylko	D7/378
D924,619 S *	7/2021	Chen	D7/380
D930,424 S *	9/2021	Bourgeois	D7/378
D932,826 S *	10/2021	Du	D7/380
D944,589 S *	3/2022	Wu	D7/412

OTHER PUBLICATIONS

Zulay Powerful Milk Frother. Date First Available on Amazon.com Jul. 30, 2020. <https://www.amazon.com/Zulay-Titanium-Frother-Without-Stand/dp/B088SXVHP3/ref> (Year: 2020).*

* cited by examiner

Primary Examiner — Ricky Pham

(57) **CLAIM**

The ornamental design for an electric milk frother, as shown and described.

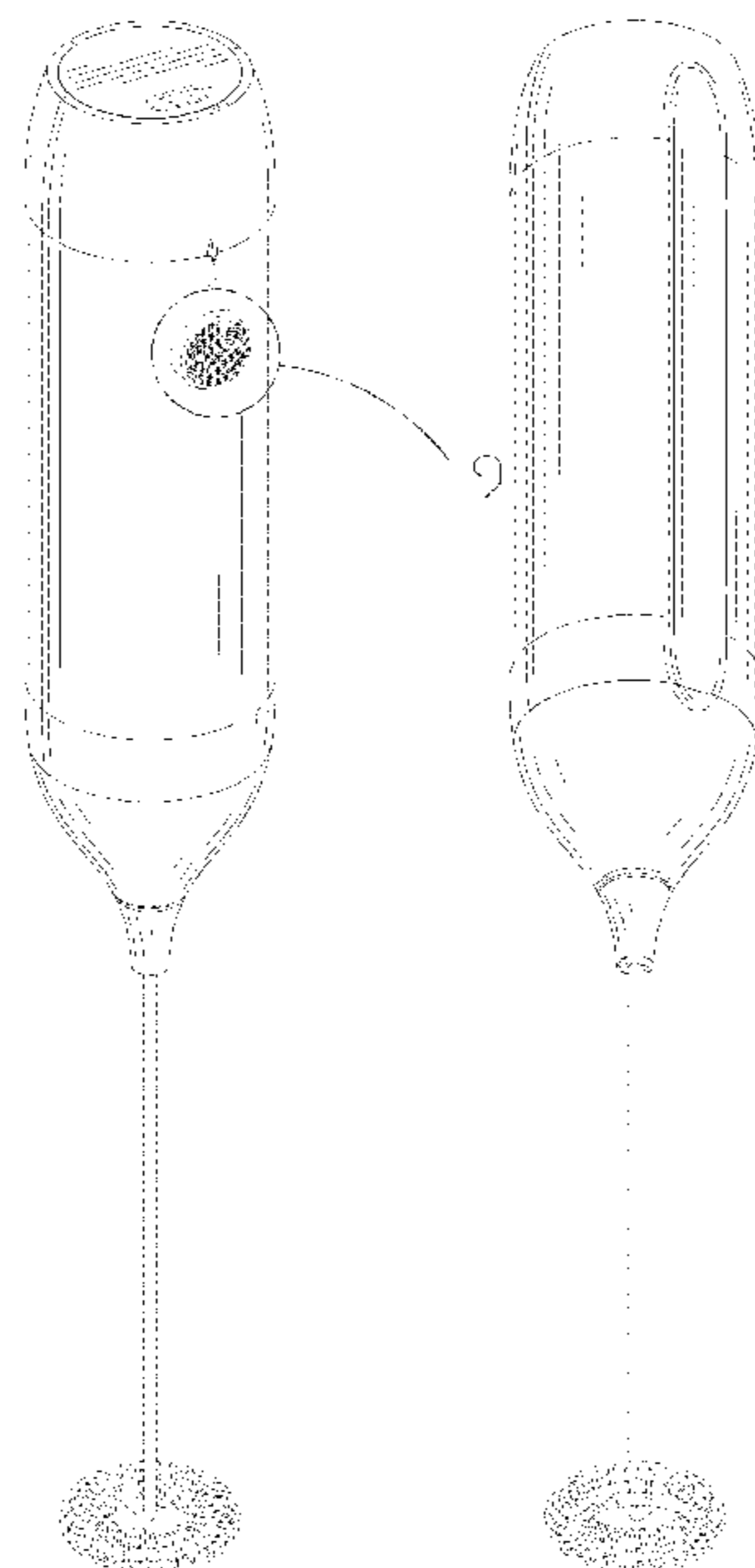
DESCRIPTION

FIG. 1 is a perspective view of an electric milk frother showing my new design;
FIG. 2 is another perspective view thereof;
FIG. 3 is a front elevational view thereof;
FIG. 4 is a rear elevational view thereof;
FIG. 5 is a left side elevational view thereof;
FIG. 6 is a right side elevational view thereof;
FIG. 7 is a top plan view thereof;
FIG. 8 is a bottom plan view thereof; and,
FIG. 9 is an enlarged view of portion 9 shown in FIG. 1.
The dash-dash broken lines in the drawings depict portions of the electric milk frother that form no part of the claimed design. The dot-dash broken lines represent boundaries of the enlarged portion and form no part of the claimed design.

1 Claim, 9 Drawing Sheets

(56) **References Cited**
U.S. PATENT DOCUMENTS

D798,652 S *	10/2017	Müller	D7/380
D855,392 S *	8/2019	Shim	D7/397



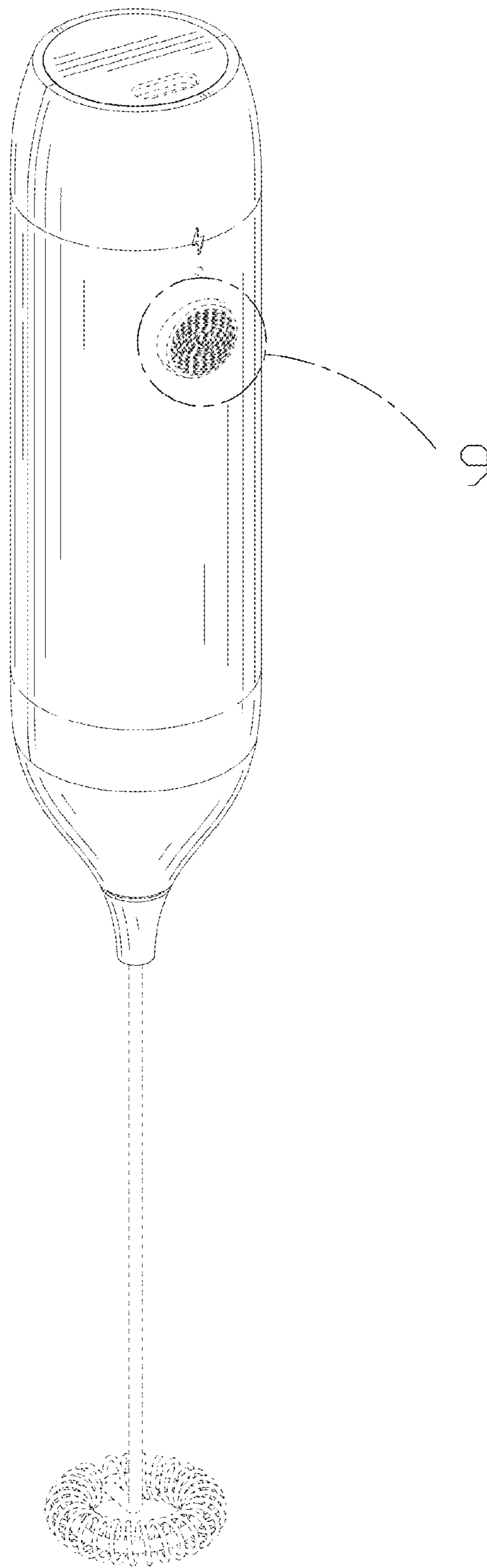


FIG. 1

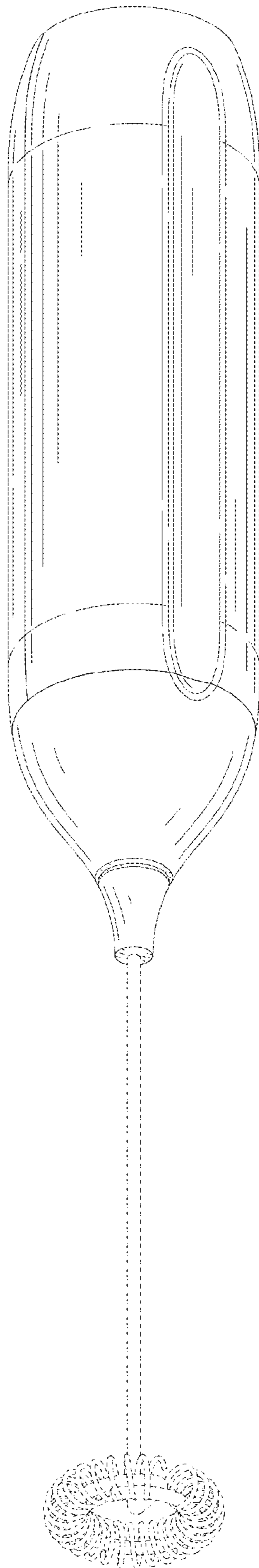


FIG. 2

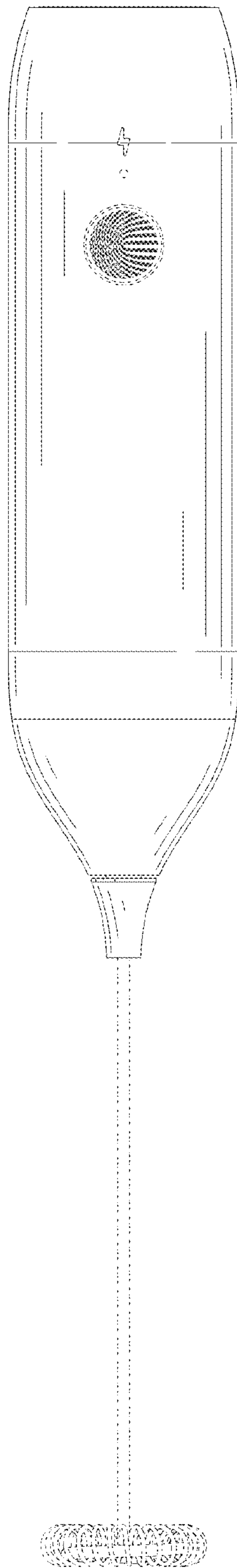


FIG. 3

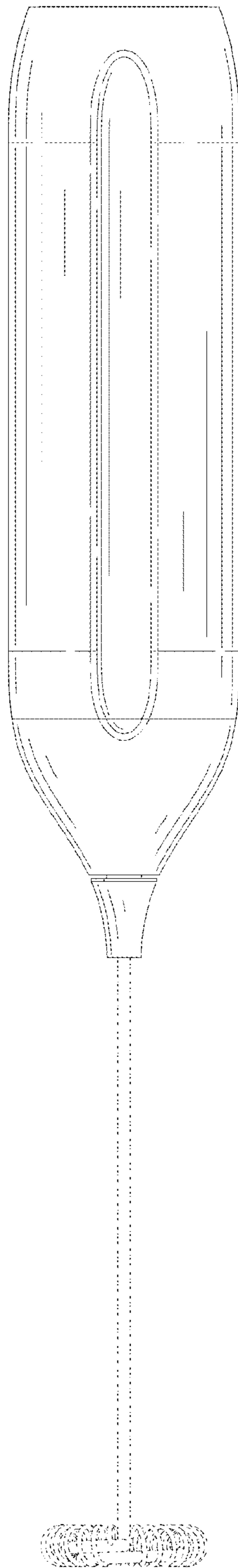


FIG. 4

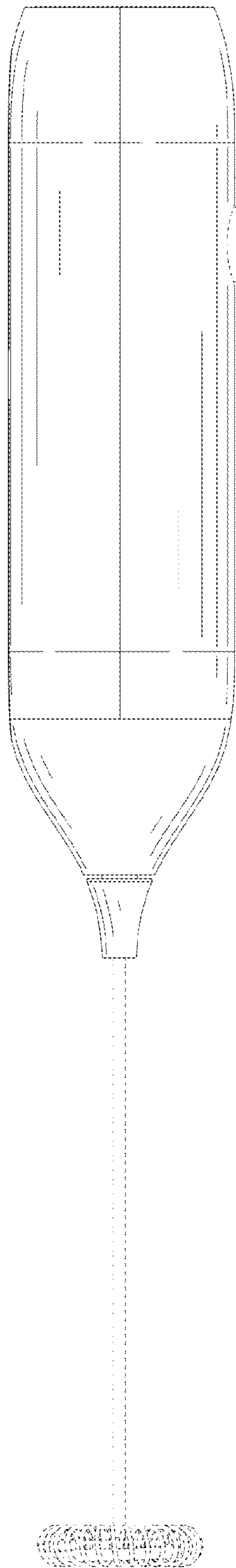


FIG. 5

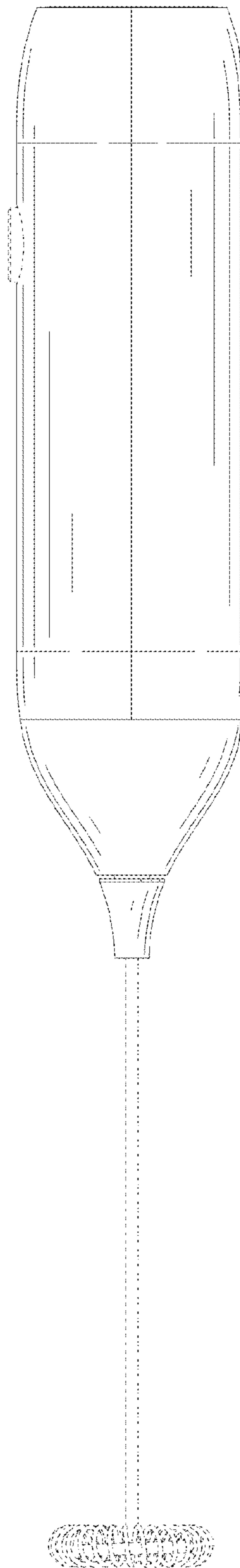


FIG. 6

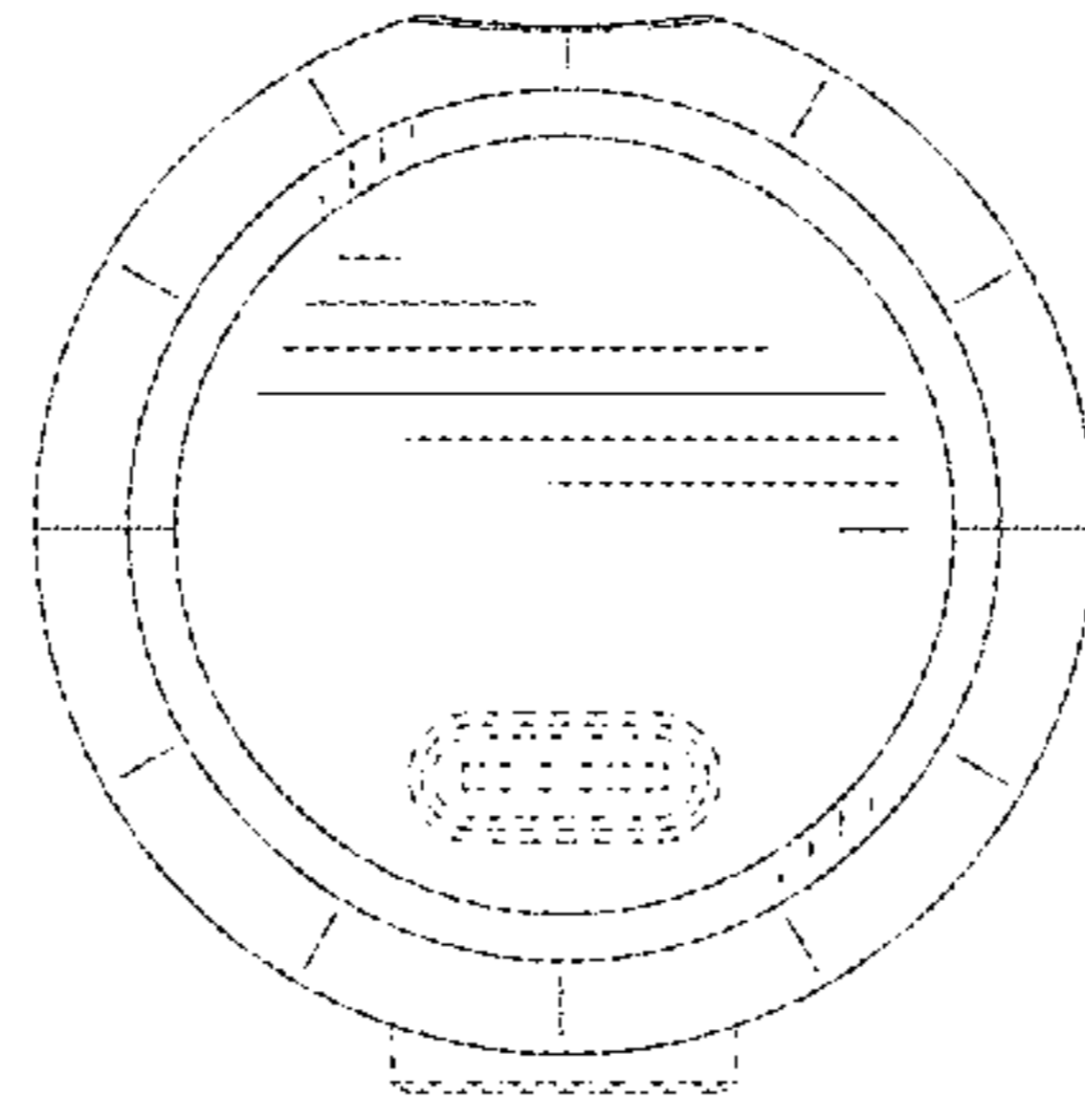


FIG. 7

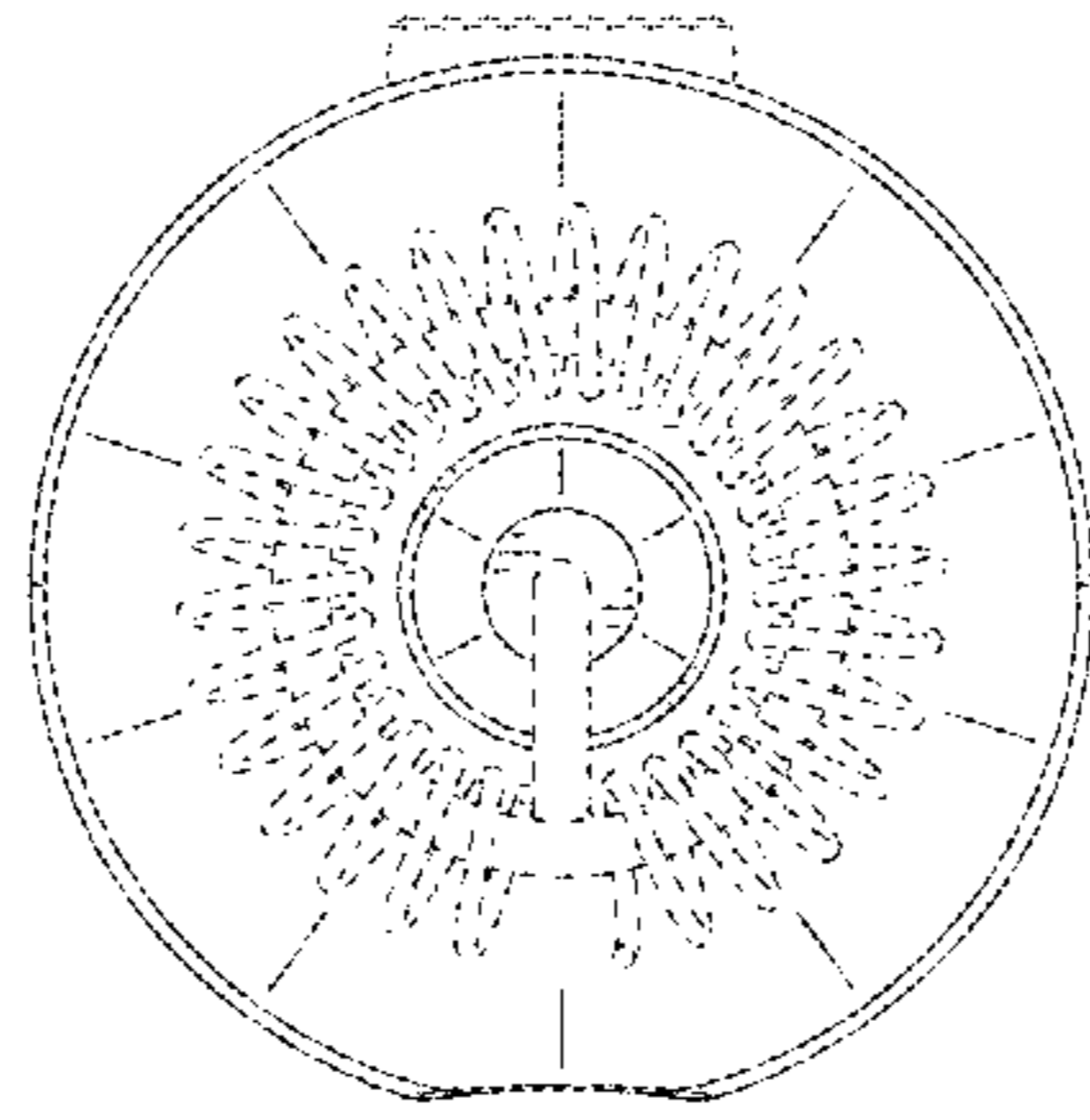


FIG. 8

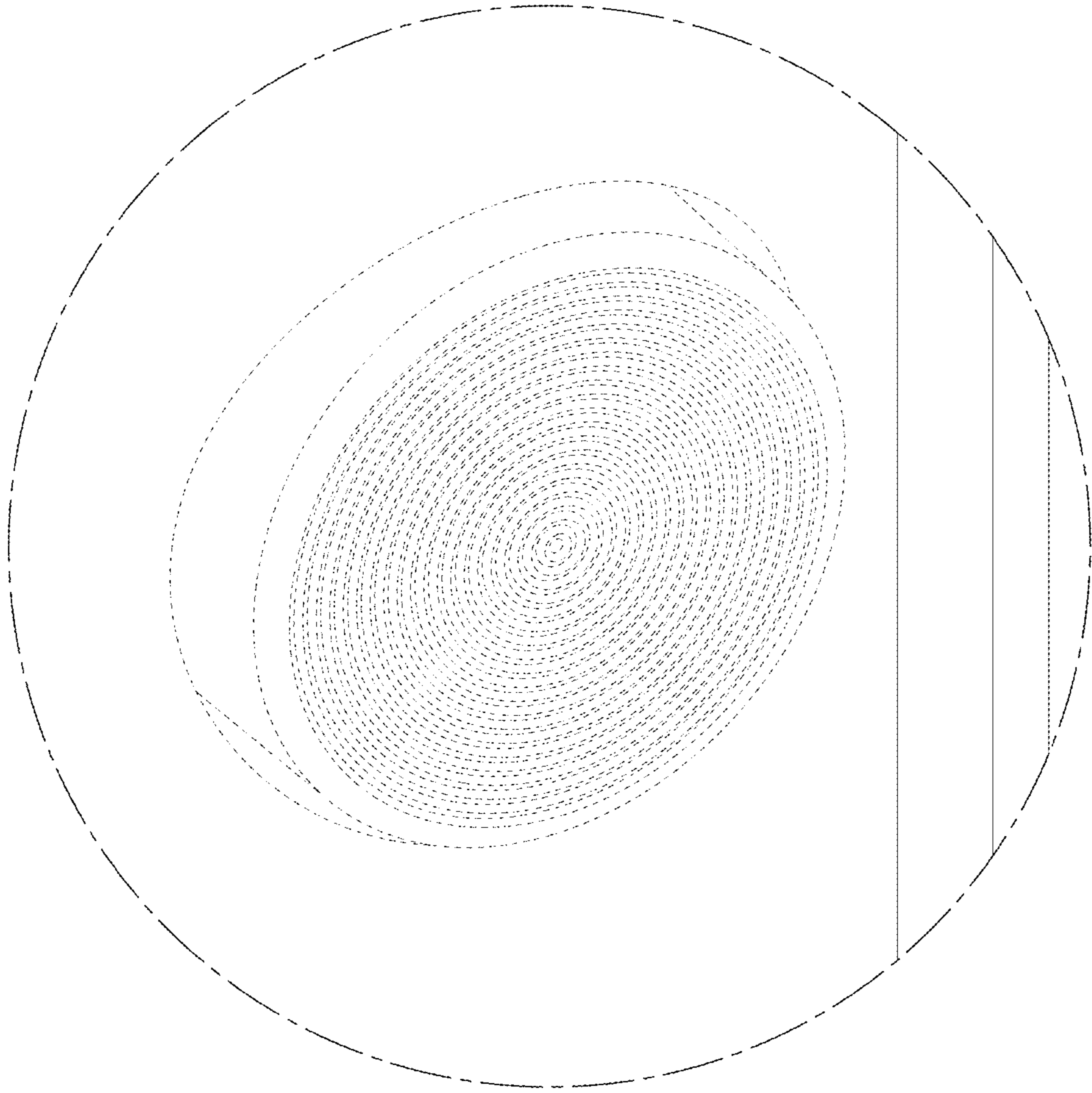


FIG. 9