



US00D990218S

(12) **United States Design Patent**
Russo

(10) **Patent No.:** **US D990,218 S**
(45) **Date of Patent:** **** Jun. 27, 2023**

(54) **MULTI-LEVEL MICROWAVE PLATE HOLDER**

(71) Applicant: **Donald J. Russo**, Ypsilanti, MI (US)

(72) Inventor: **Donald J. Russo**, Ypsilanti, MI (US)

(**) Term: **15 Years**

(21) Appl. No.: **29/763,463**

(22) Filed: **Dec. 22, 2020**

(51) **LOC (14) Cl.** **07-02**

(52) **U.S. Cl.**
USPC **D7/354**

(58) **Field of Classification Search**
USPC D7/323, 354–361, 543, 545, 549, 550.1, D7/553.1–553.8, 554.1–554.4, 555, 584, D7/586, 701, 704; D9/430–433, D9/455–456, 721, 737, 756–762; D28/82
CPC A21B 3/00; A21B 3/13; A21B 3/15; A21B 3/132; A21B 3/134; A21B 3/137; A21B 5/00; A21B 5/02; A47J 36/022; A47J 36/025; A47J 36/027; A47J 37/00; A47J 37/01; A47J 37/04; B65D 1/22; B65D 1/24; B65D 1/34; B65D 1/36; B65D 81/343; B65D 85/36; A45D 33/006; A45D 33/20; A45D 40/24; A45D 40/221; A47F 5/13; A47L 19/04

See application file for complete search history.

(56) **References Cited**

U.S. PATENT DOCUMENTS

1,460,950	A *	7/1923	Denney	A45D 33/006
					132/295
3,392,868	A *	7/1968	Pfrommer	A45D 40/24
					D9/422
3,441,033	A *	4/1969	Flax	A45D 33/20
					132/295
D535,193	S *	1/2007	Rutledge	D9/721

D618,073	S *	6/2010	Stephens	D7/701
8,919,355	B2 *	12/2014	Blanch	A45D 40/221
					206/823
D728,860	S *	5/2015	Blanch	D28/82
D729,021	S *	5/2015	Goodman	D7/704
D821,166	S *	6/2018	Chu	D7/704
2003/0213759	A1 *	11/2003	Compagnucci	A47L 19/04
					211/41.11
2017/0224176	A1 *	8/2017	Chu	A47F 5/13

* cited by examiner

Primary Examiner — Ricky Pham

(57) **CLAIM**

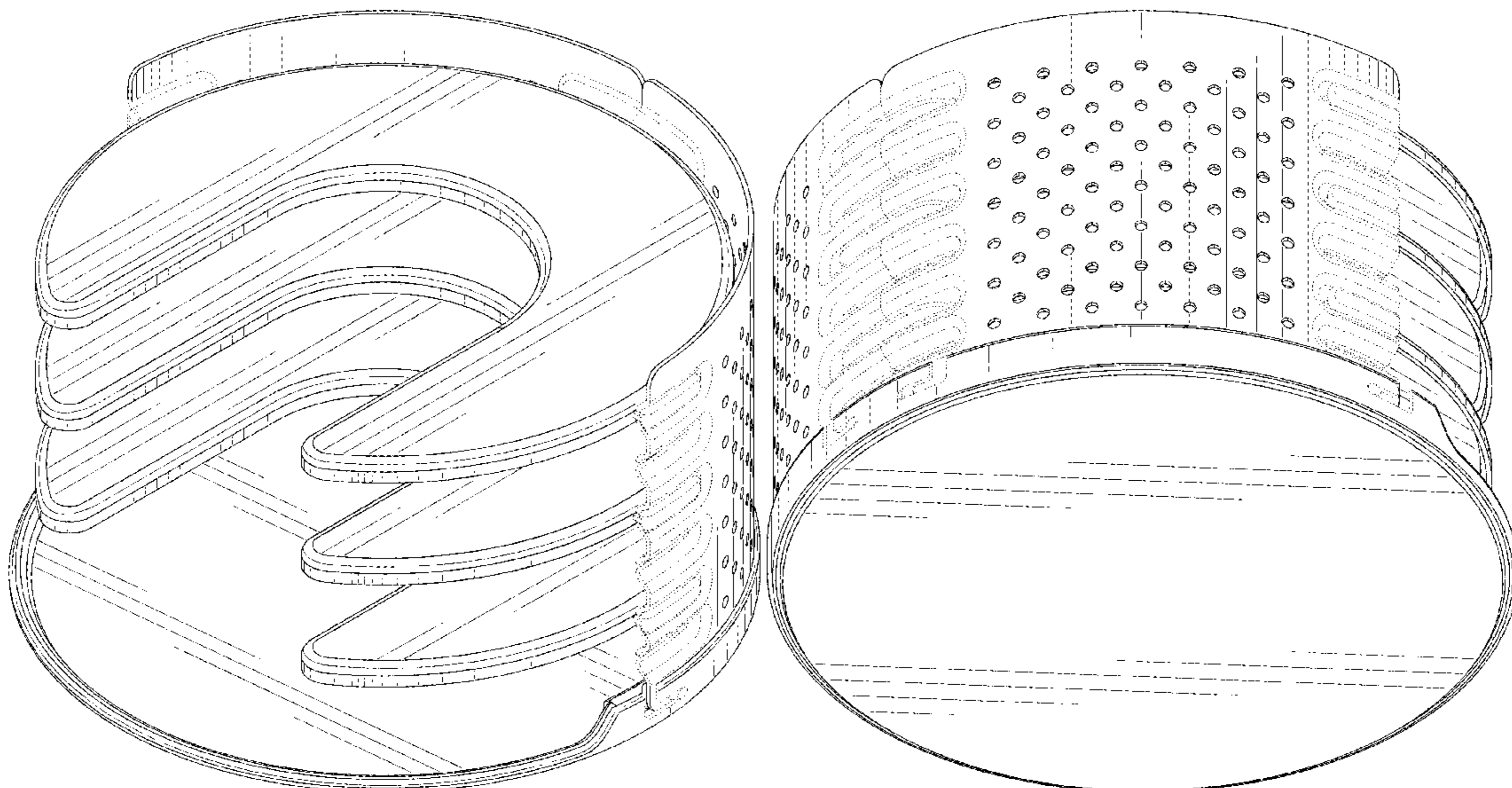
The ornamental design for a multi-level microwave plate holder, as shown and described.

DESCRIPTION

FIG. 1 is a top-front-left perspective view of a multi-level microwave plate holder showing my new design; FIG. 2 is a bottom-rear-right perspective view thereof; FIG. 3 is a reduced top-front-left exploded perspective view thereof; FIG. 4 is a reduced bottom-rear-right exploded perspective view thereof; FIG. 5 is a front elevated view thereof; FIG. 6 is a rear elevated view thereof; FIG. 7 is a top plan view thereof; FIG. 8 is a bottom plan view thereof; FIG. 9 is a right elevated view thereof; FIG. 10 is a left elevated view thereof; and, FIG. 11 is a cross-sectional view taken along line 11-11 in FIG. 6.

The broken lines showing of plate connectors in FIGS. 1-6 and 9-11, the broken lines showing of shelf supports in FIGS. 1-7 and 9-11, and the broken lines showing of base connectors in FIGS. 1-4 and 6-11 are included for the purpose of showing environmental structure and form no part of the claimed design.

1 Claim, 11 Drawing Sheets



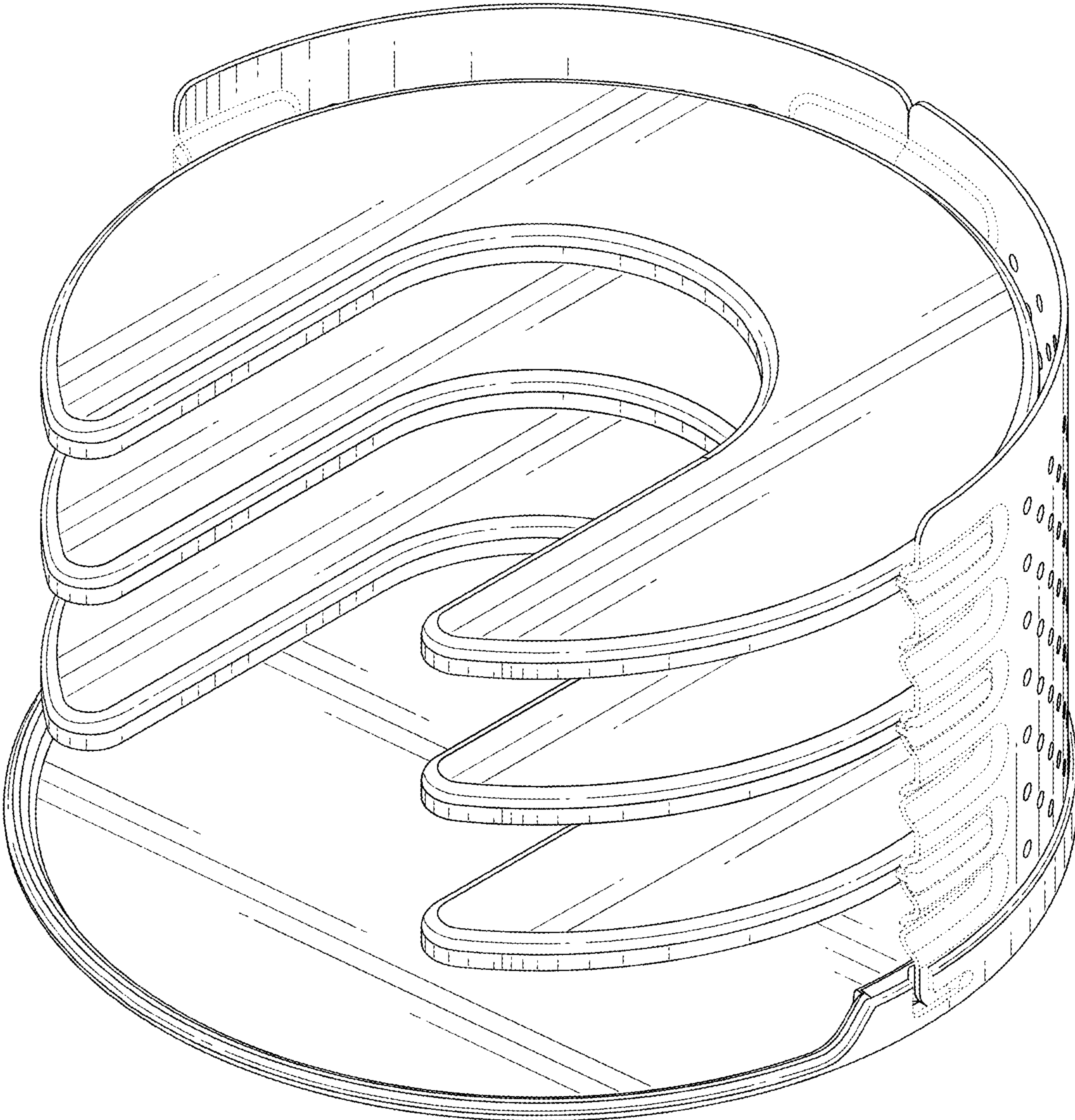


FIG. 1

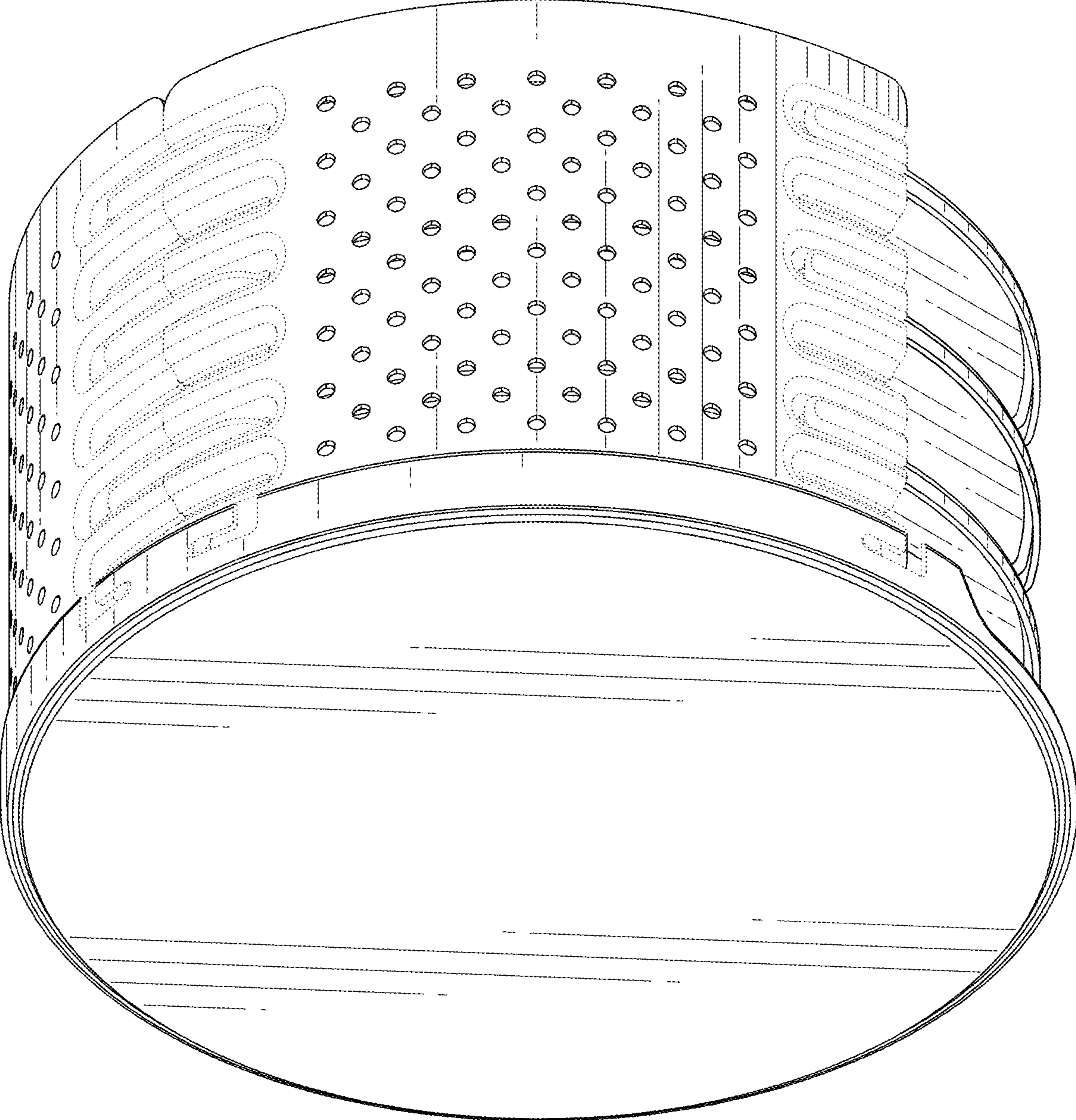


FIG. 2

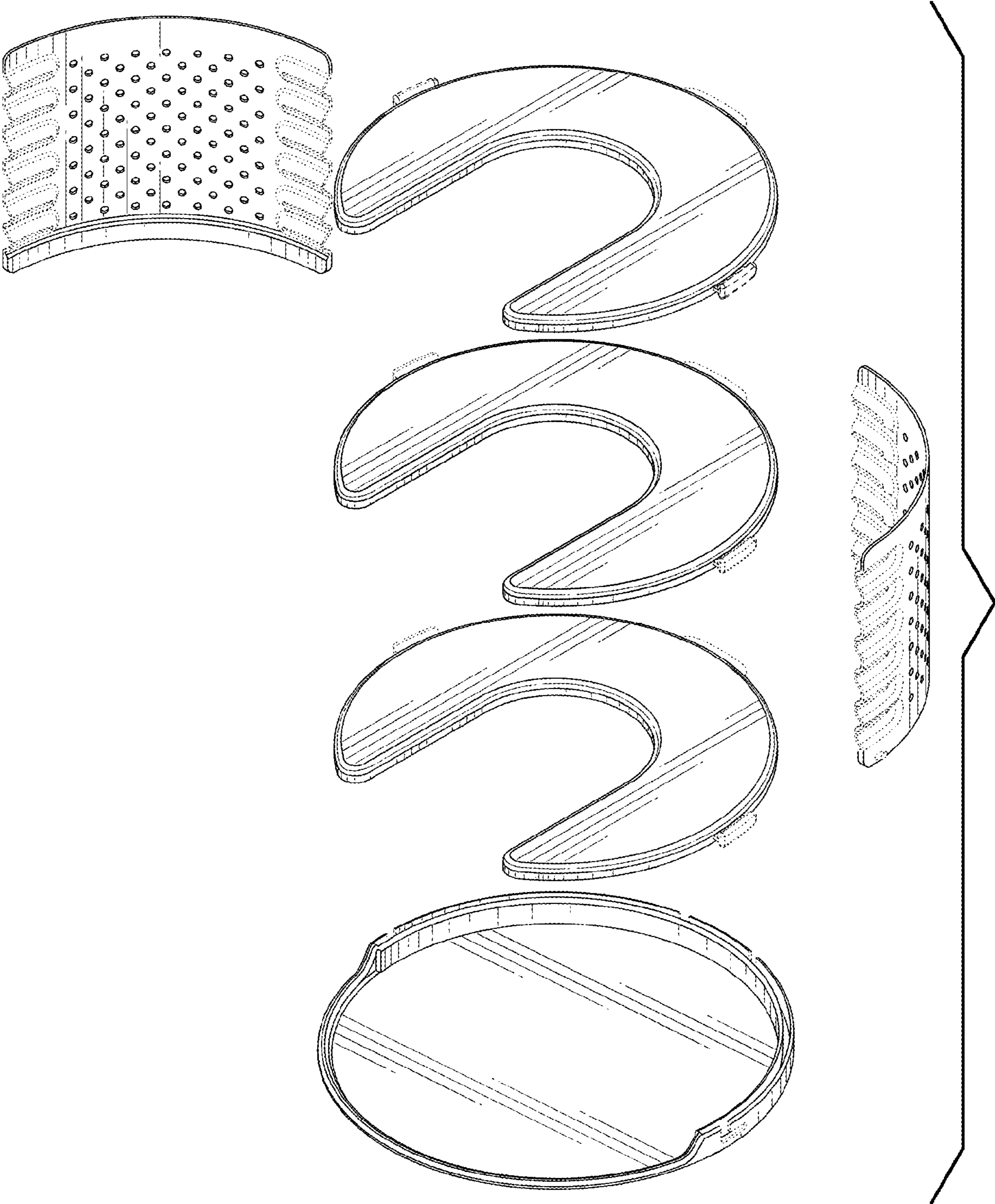


FIG. 3

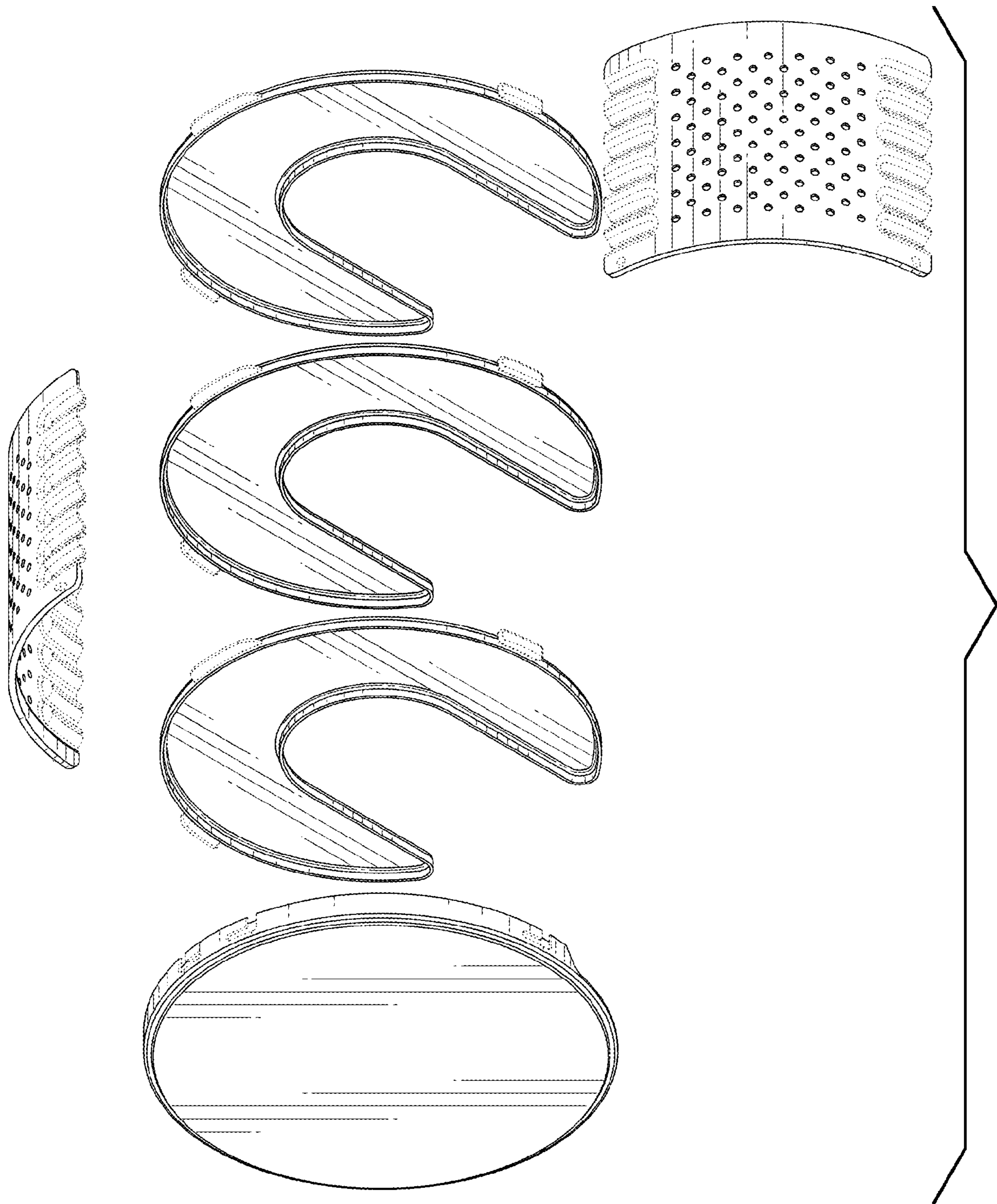


FIG. 4

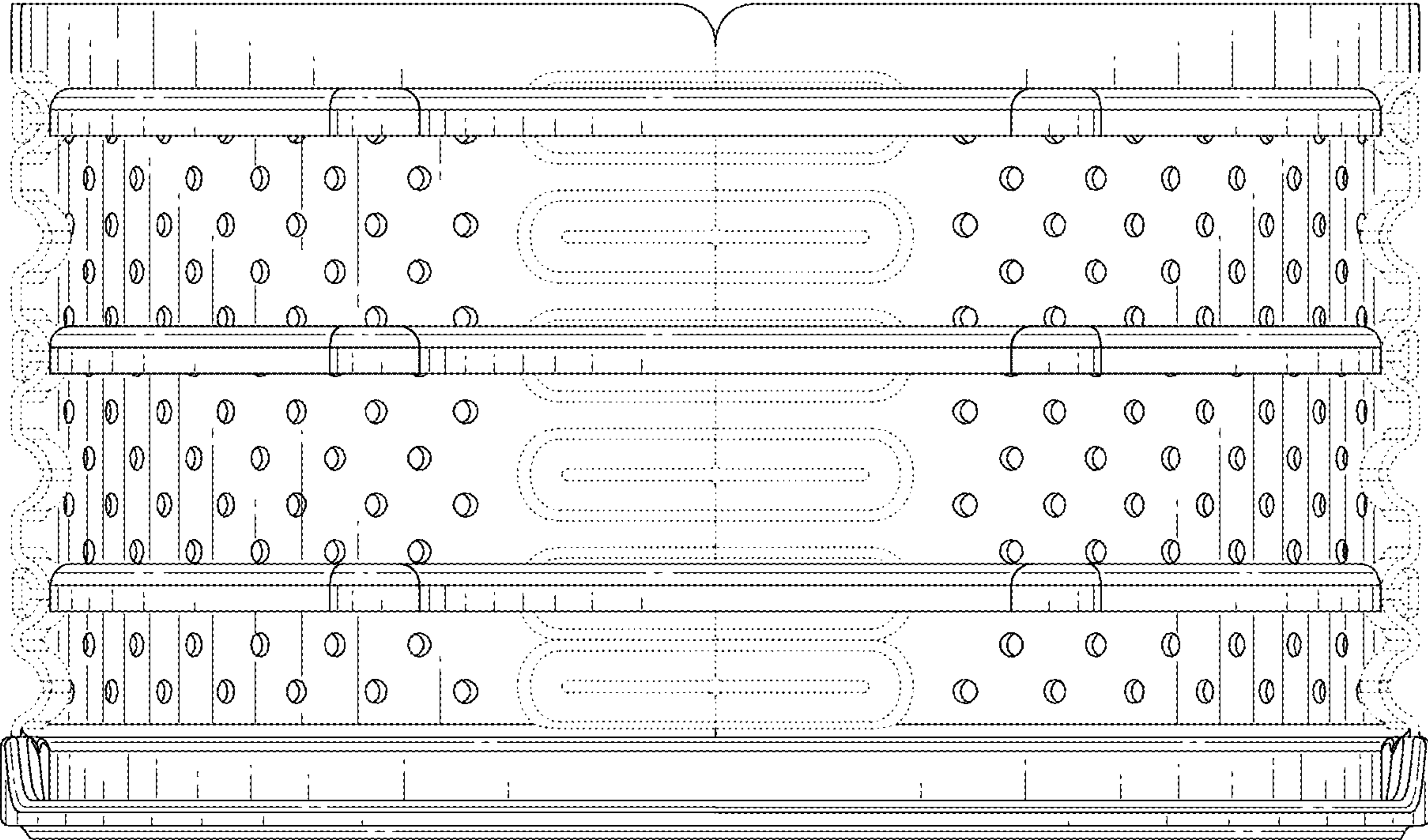


FIG. 5

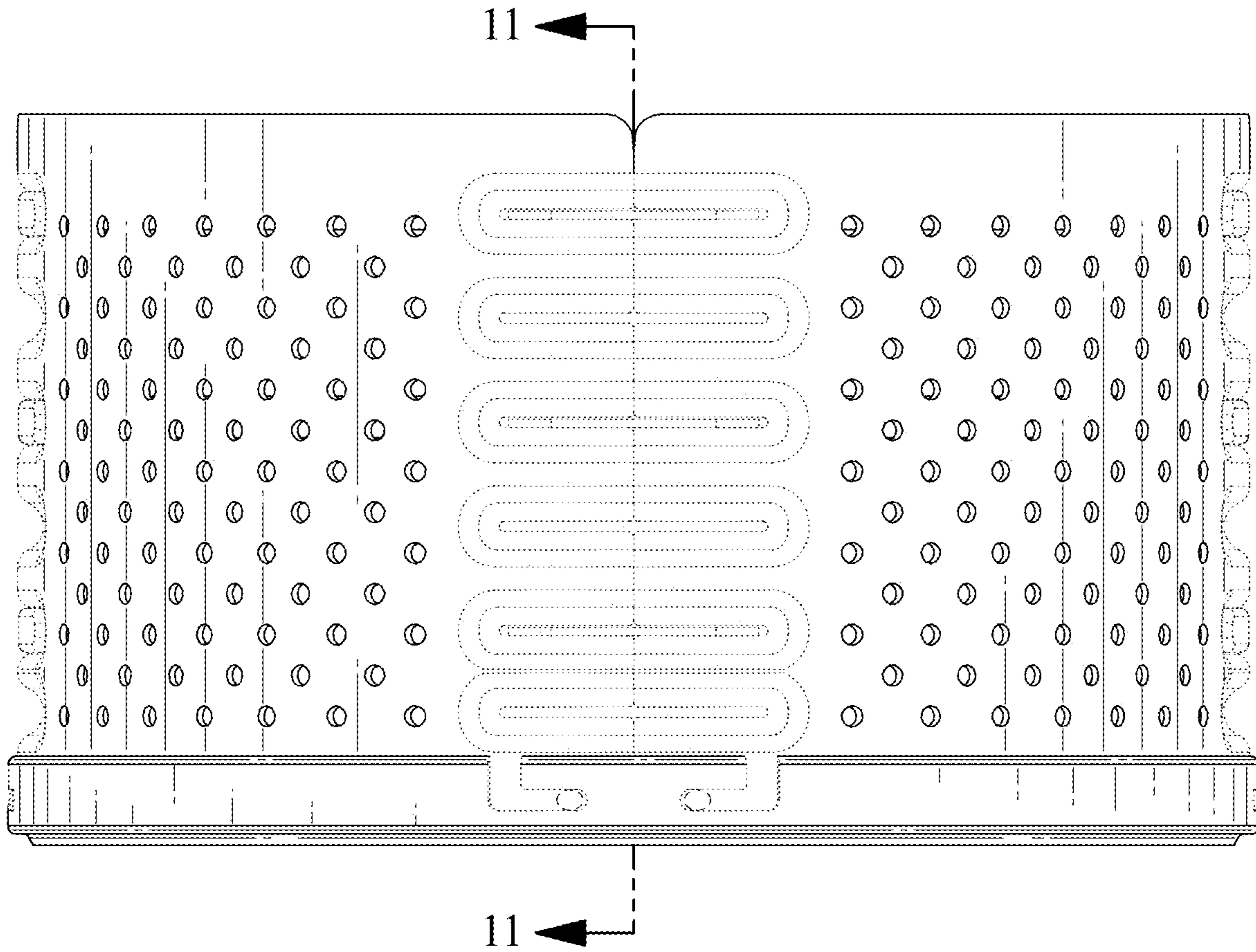


FIG. 6

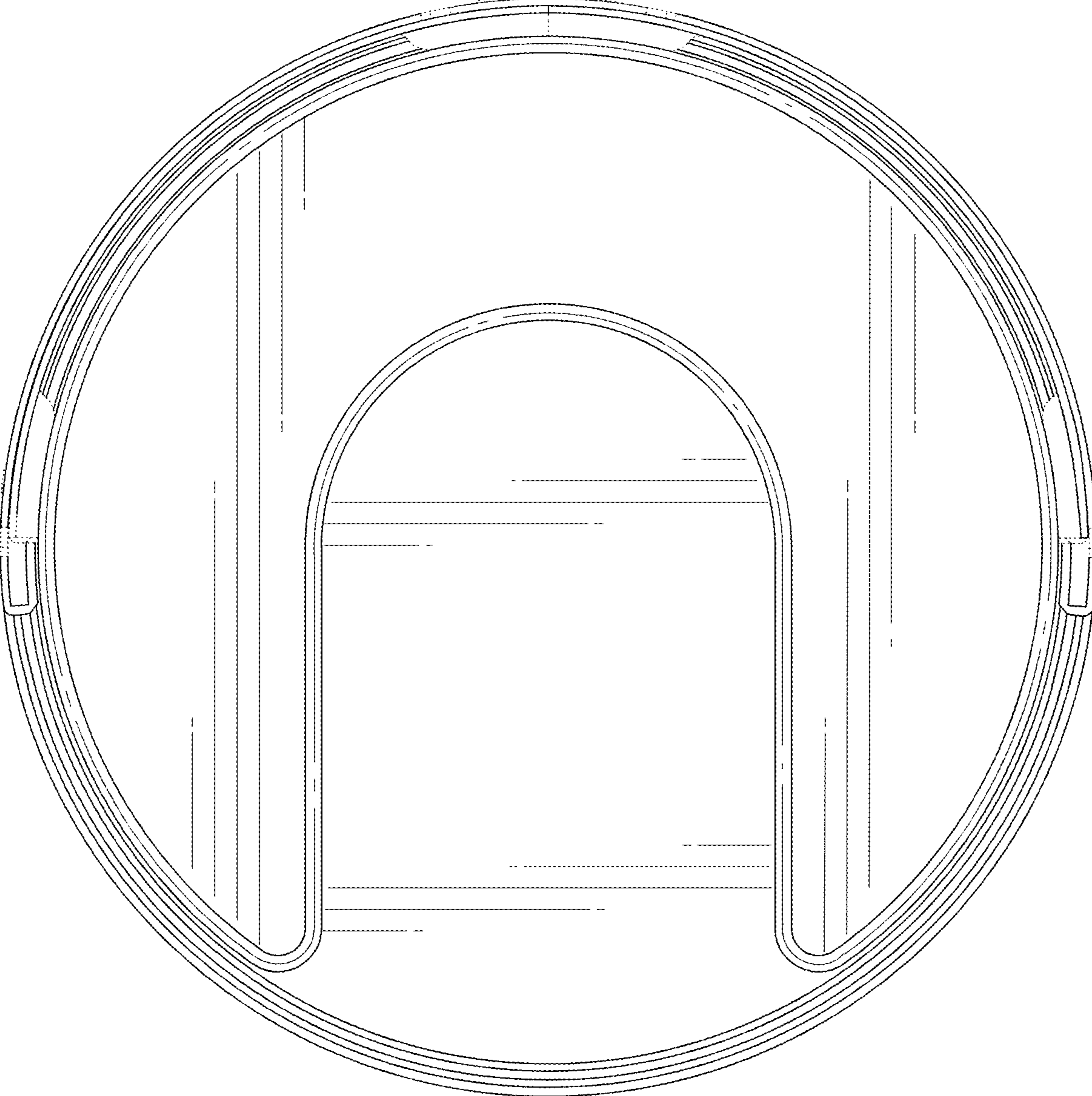


FIG. 7

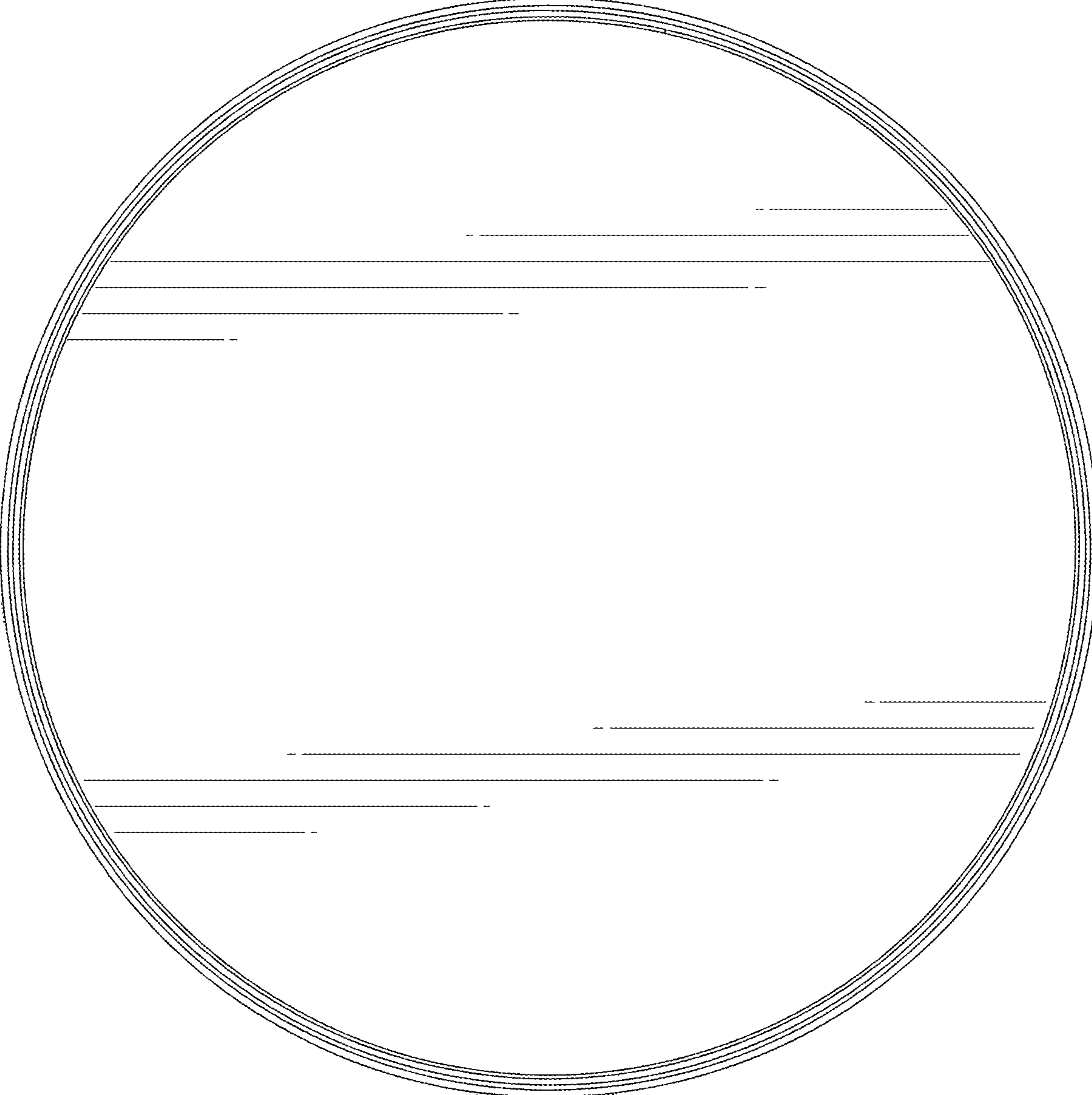


FIG. 8

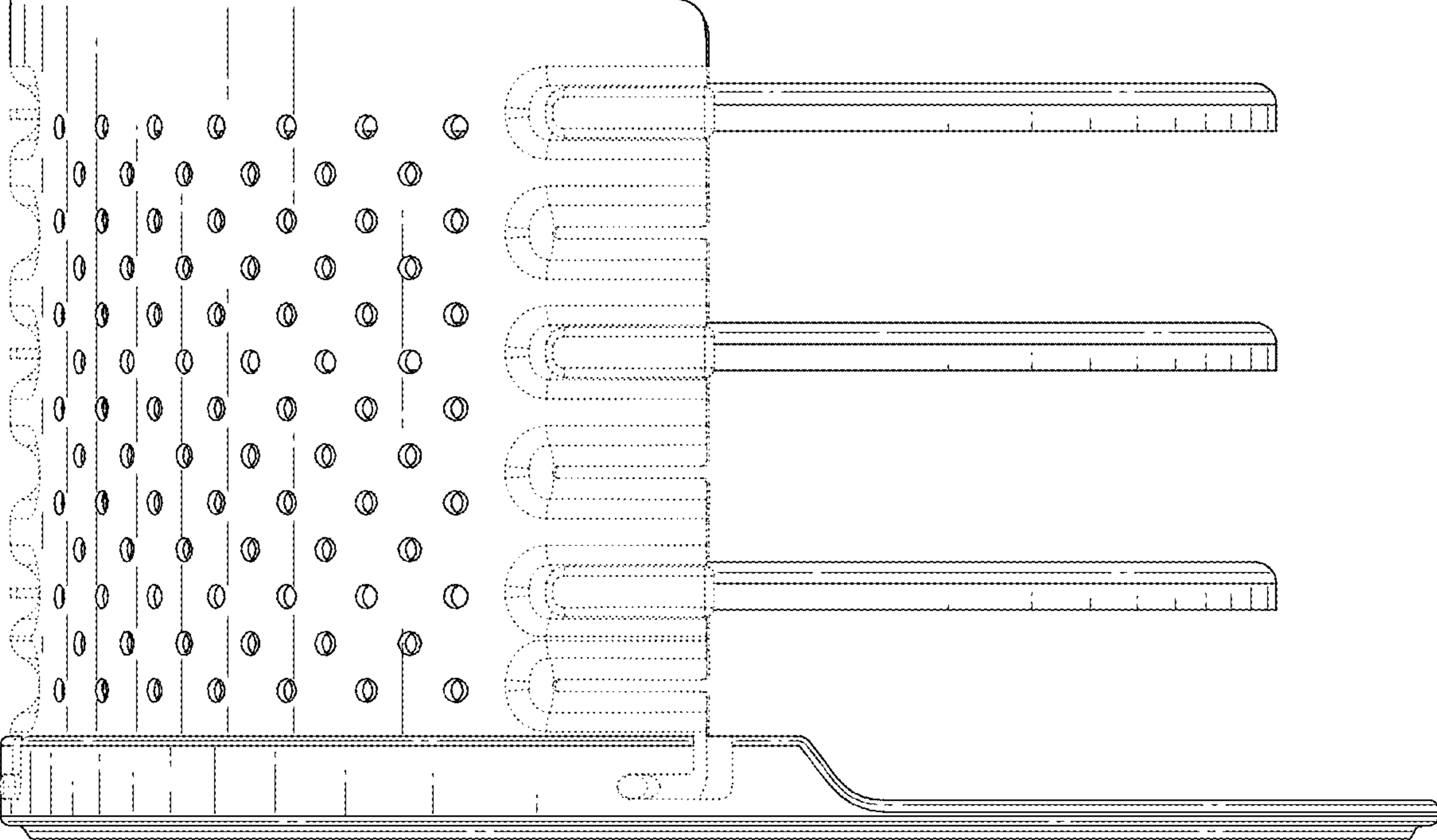


FIG. 9

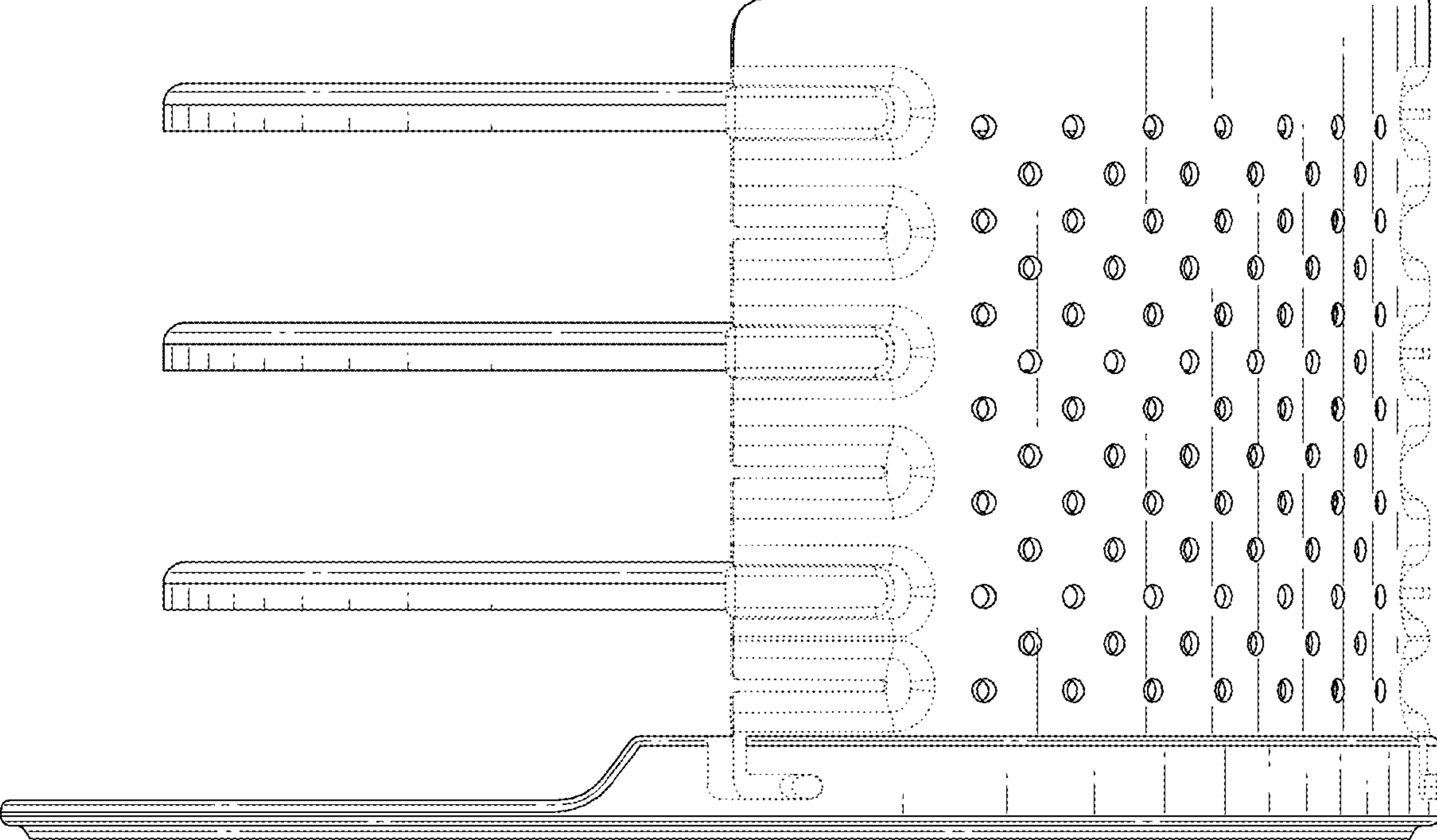


FIG.10

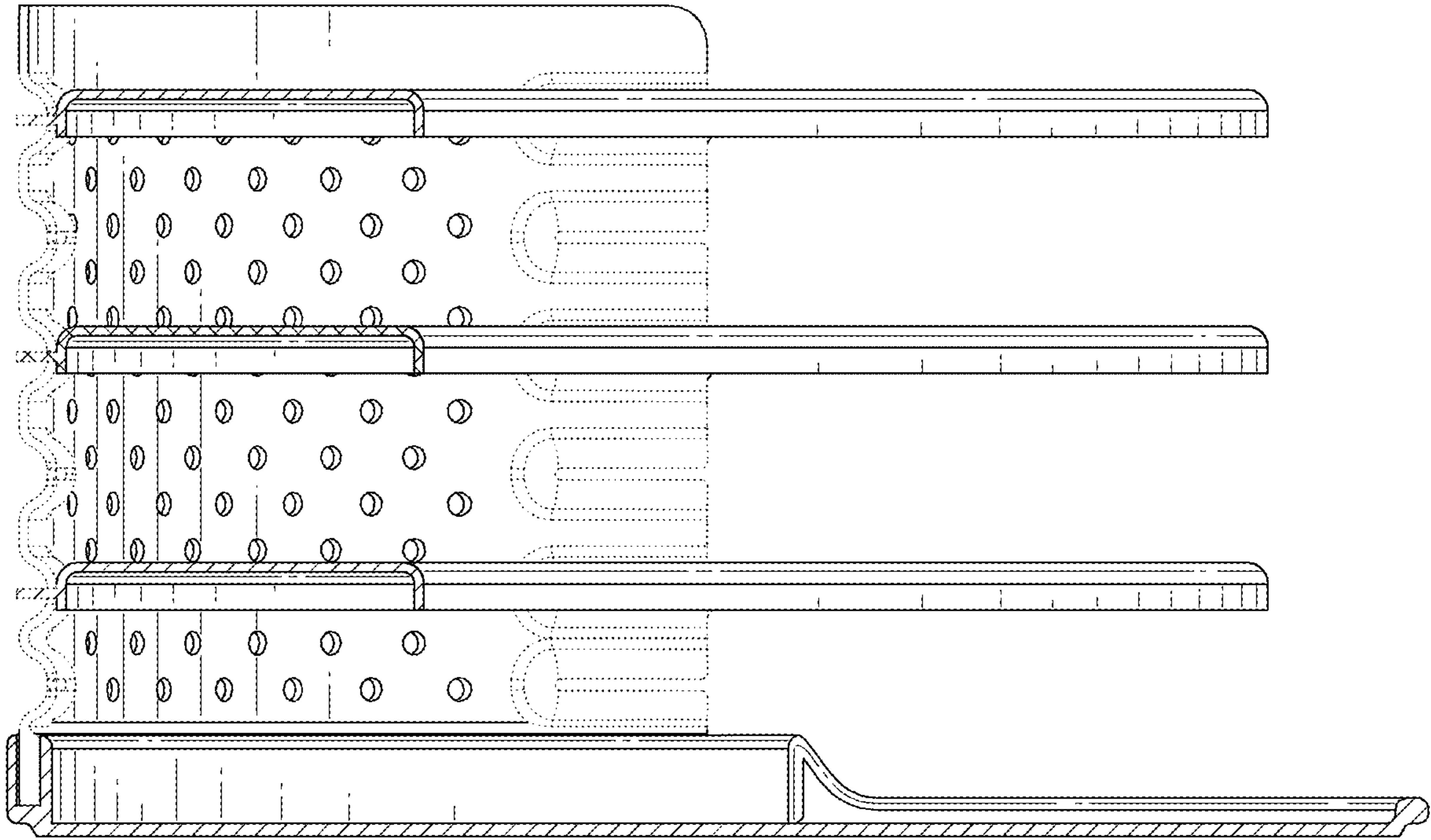


FIG. 11