



US00D990076S

(12) **United States Design Patent**
Li

(10) **Patent No.:** **US D990,076 S**
(45) **Date of Patent:** **** Jun. 20, 2023**

(54) **RECEIVER FOR DOG TRAINING COLLAR**

(71) Applicant: **SHENZHEN PATPET TECHNOLOGY CO., LTD.**, Shenzhen (CN)

(72) Inventor: **Linxian Li**, Shenzhen (CN)

(**) Term: **15 Years**

(21) Appl. No.: **29/819,447**

(22) Filed: **Dec. 15, 2021**

(51) **LOC (14) Cl.** **30-99**

(52) **U.S. Cl.**
USPC **D30/199; D10/104.1**

(58) **Field of Classification Search**
USPC D30/151–155, 144, 199, 160; 119/792–798, 850, 855–859, 863–865, 119/654, 905, 907, 815, 712, 802, 784, 119/769, 760, 776, 862, 908, 860, 119/719–721; 242/381.1–381.2, 385.4, 242/378.3, 376.1, 385.1, 916, 601, 570, 242/405, 404, 371, 223, 170, 388.1, 242/405.2, 377, 381.3, 381.6, 405.3, 242/388.6, 384.7, 382, 396.1, 404.1, 380; 362/108; 33/767, 769, 414; D12/400; D3/229, 230, 207, 208, 215; 40/1.5, 455, 40/640, 303; 206/63.3, 459.5, 702, 408; D6/515; D8/358, 360, 347, 360.1, 359, D8/356, DIG. 1; D24/145, 167, 186, 146, D24/169; D10/57, 72, 106.1, 104.1, D10/104.2, 109.2, 70, 97, 98, 78, 65; D20/28; 224/666, 678; 16/445; 283/74, 283/70; D11/232, 200, 216, 1, 2, 86, 87, D11/201, 206–210, 212–215, 218; 24/163 K, 122.3, 323, 702, 600.4–600.7, 24/163 R, 169–171, 173, 177–179, 191, 24/194, 195, 197, 200, 303, 616, 635, 24/313, 615, 3, 6, 3 K, 599.2, 96, 221, 24/237, 311, 312, 314, 321, 338, 339, 24/309; 428/3, 4; 54/76, 1, 71; 63/29.1,

63/3; 191/12.2 R, 12.4; D13/154, 153, D13/137.4, 155, 103, 168; D19/69, 67; 379/438; 446/26; 473/576; D22/140; 174/135; 439/504, 13, 501; D34/33; 188/83, 82.1, 65.1; 254/134.3 FT; D29/124; D2/627, 624, 633, 625; 132/145, 146, 148; 2/314; 59/79.1; 340/573.3, 573.1, 573, 573.4, 340/539.13–539.19; 343/895; 278/8 AES; 231/7; 361/232; D14/344, D14/341, 137, 155, 496, 203.5, 203.3, D14/144, 218, 188, 216, 192; 342/357.51, 357.57, 357.52, 357.55; 455/100, 352, 456.1, 550.1; 315/291
(Continued)

(56) **References Cited**

U.S. PATENT DOCUMENTS

D478,831 S * 8/2003 So D10/104.1
D520,894 S * 5/2006 Zakharyan D30/199
(Continued)

Primary Examiner — Susan Moon Lee
(74) *Attorney, Agent, or Firm* — Sandy Lipkin

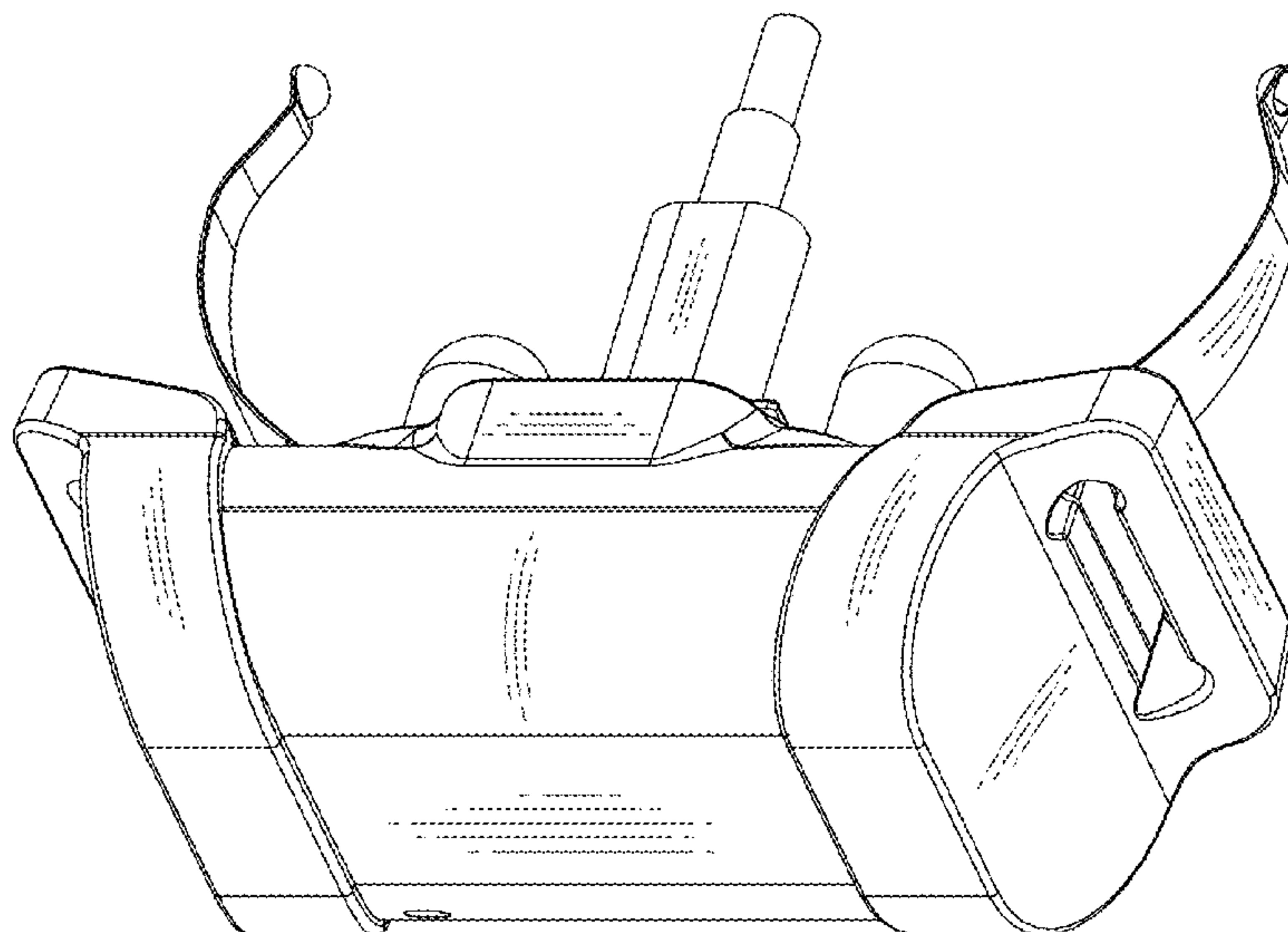
(57) **CLAIM**

The ornamental design for a receiver for dog training collar, as shown and described.

DESCRIPTION

FIG. 1 is a front view of a receiver for dog training collar, showing my new design;
FIG. 2 is a top plan view thereof;
FIG. 3 is a bottom plan view thereof;
FIG. 4 is a rear plan view thereof;
FIG. 5 is a left plan view thereof;
FIG. 6 is a right plan view thereof; and,
FIG. 7 is a perspective view thereof.

1 Claim, 7 Drawing Sheets



(58) **Field of Classification Search**

CPC A01K 15/021; A01K 15/02; A01K 15/022;
 A01K 15/023; A01K 15/029; A01K
 15/04; A01K 15/00; A01K 15/006; A01K
 12/022; A01K 27/009; A01K 27/00;
 A01K 27/001; A01K 27/006-008; A01K
 29/005; A01K 29/00; A61B 5/0002-0028;
 A61B 5/681; A61B 5/6822; A61B
 5/6824; A61B 5/6829; G01S 5/0294

See application file for complete search history.

(56) **References Cited**

U.S. PATENT DOCUMENTS

D715,675 S * 10/2014 Ma D11/3
 D726,052 S * 4/2015 Henning D10/70
 D742,817 S * 11/2015 Lammers-Meis D13/103
 D772,745 S * 11/2016 Henne D10/70
 9,861,080 B1 * 1/2018 Hathway A01K 27/001
 D811,016 S * 2/2018 Liu D30/152
 D817,557 S * 5/2018 Liu D30/152
 D819,280 S * 5/2018 Li D30/152

D829,120 S * 9/2018 Mitchell D10/104.1
 D835,533 S * 12/2018 Zheng D10/70
 D858,904 S * 9/2019 Zinn D10/104.1
 D865,546 S * 11/2019 Kellock D10/70
 D890,456 S * 7/2020 Dai D30/199
 D898,613 S * 10/2020 Stapleton D11/216
 D906,845 S * 1/2021 Larsen D10/46
 D910,306 S * 2/2021 Chui D3/205
 D929,682 S * 8/2021 Li D10/104.1
 11,094,224 B2 * 8/2021 Stapleton G09F 3/08
 D944,470 S * 2/2022 Li D10/104.1
 D948,814 S * 4/2022 Jin D10/104.1
 D948,816 S * 4/2022 Jin D10/104.1
 D952,961 S * 5/2022 Li D30/152
 D953,667 S * 5/2022 Li D30/152
 D954,015 S * 6/2022 Chen D14/155
 D957,763 S * 7/2022 Jia D10/104.1
 D965,926 S * 10/2022 Mo D10/104.1
 D967,569 S * 10/2022 Chen D10/104.1
 D970,827 S * 11/2022 Zhuang D30/152
 D972,236 S * 12/2022 Liang D10/104.1
 D972,791 S * 12/2022 Deng D30/152
 D976,730 S * 1/2023 Wernimont D10/104.1
 2020/0015456 A1 * 1/2020 Van Curen A01K 15/022

* cited by examiner

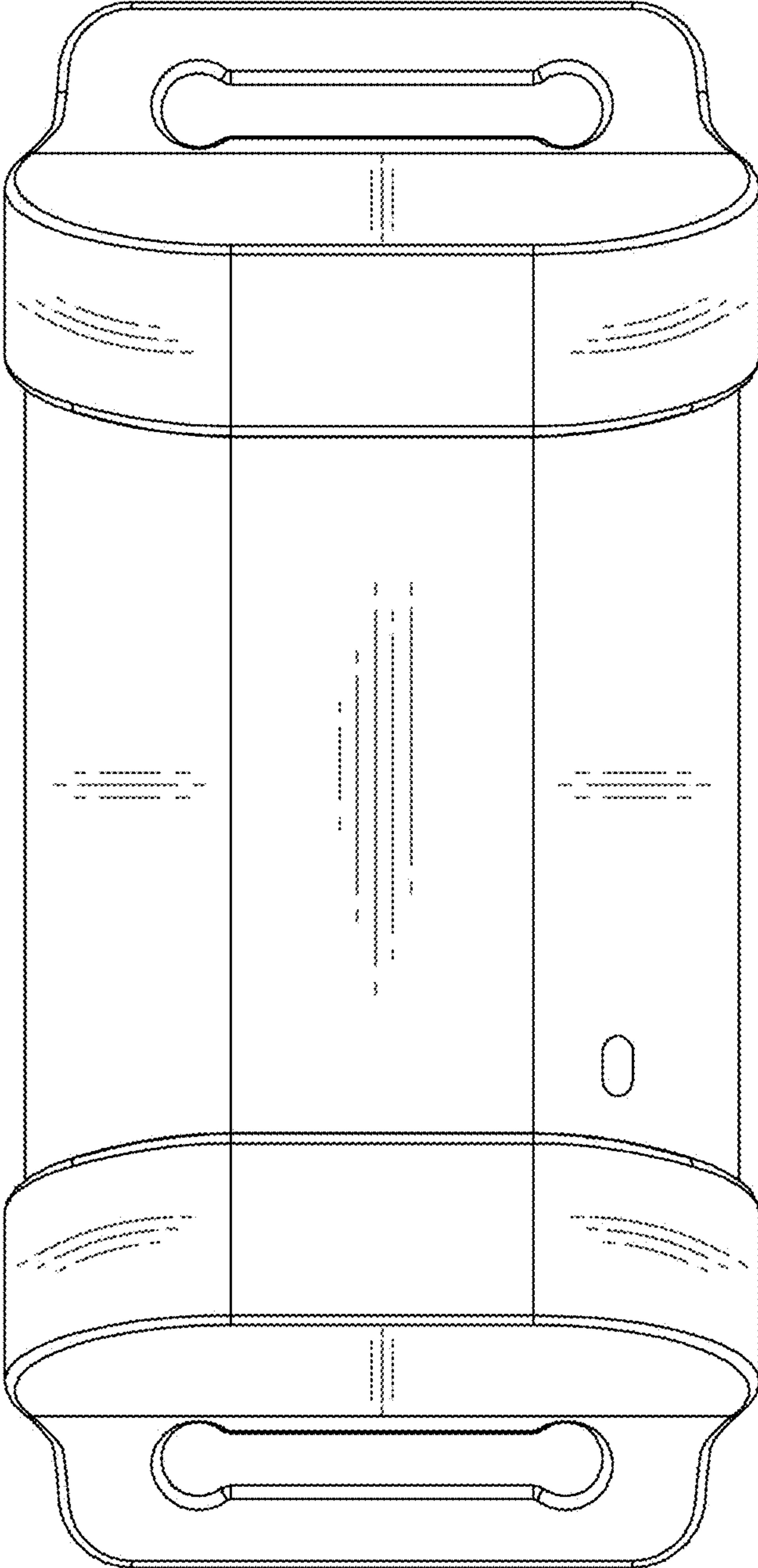


FIG. 1

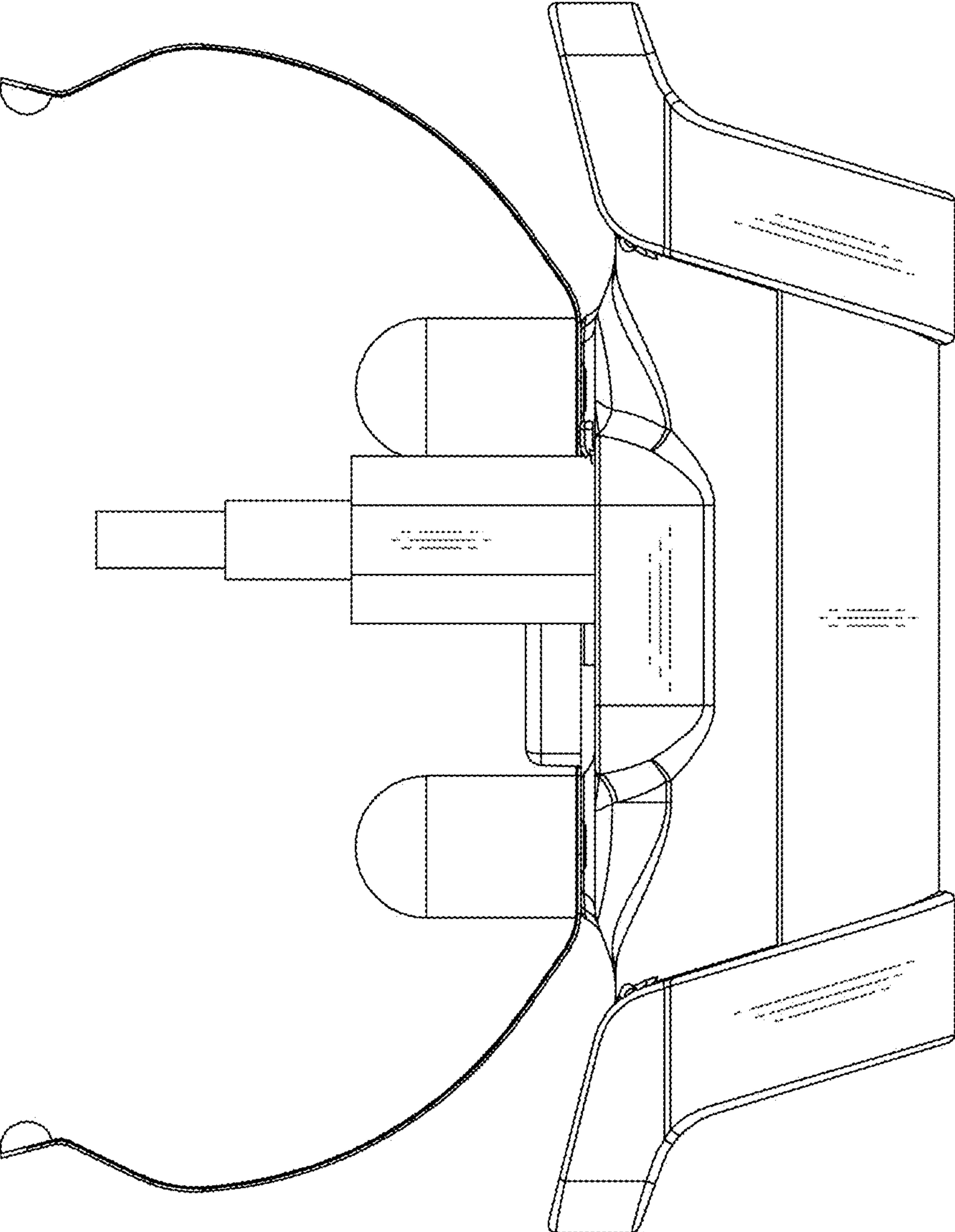


FIG. 2

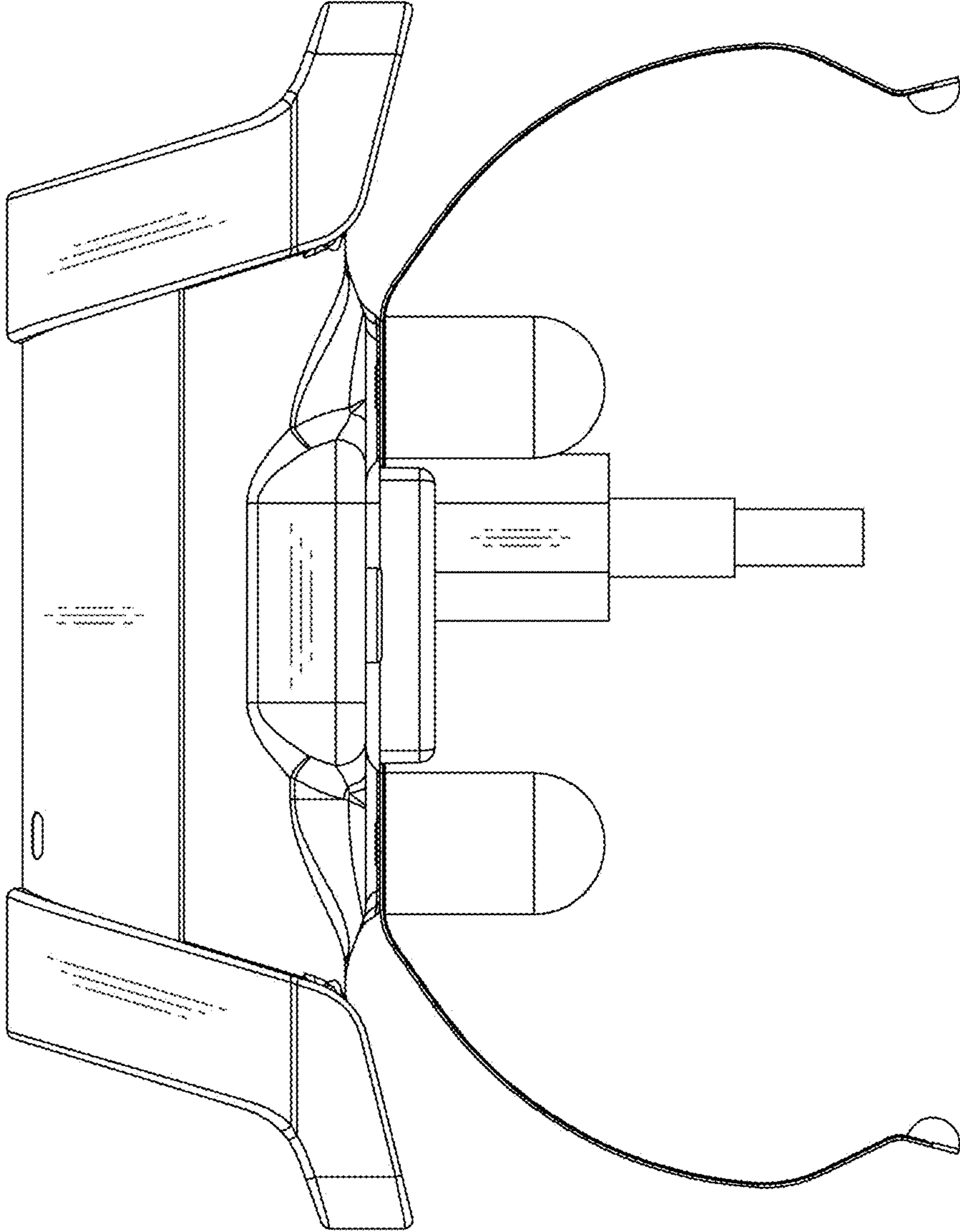


FIG. 3

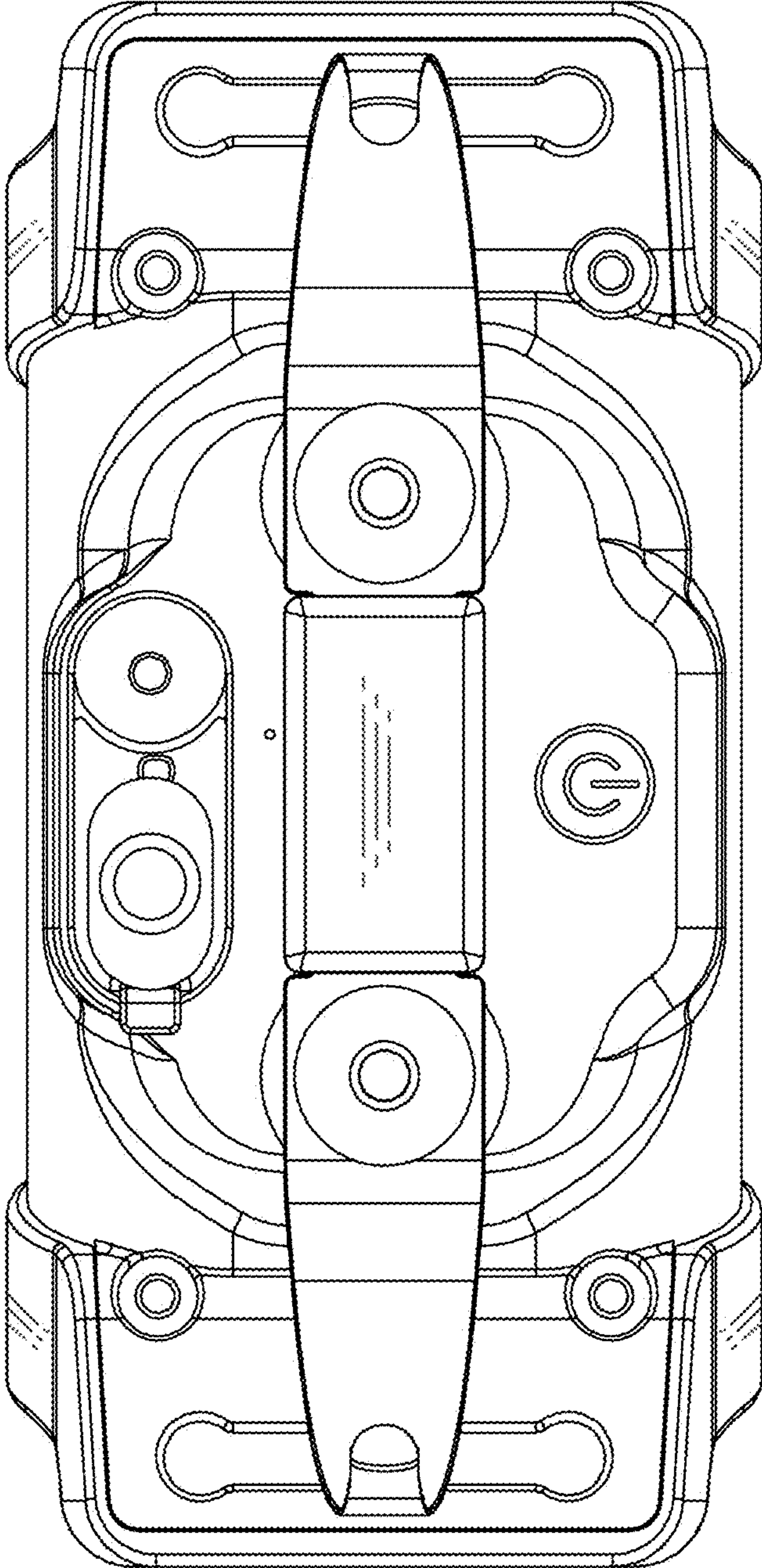


FIG. 4

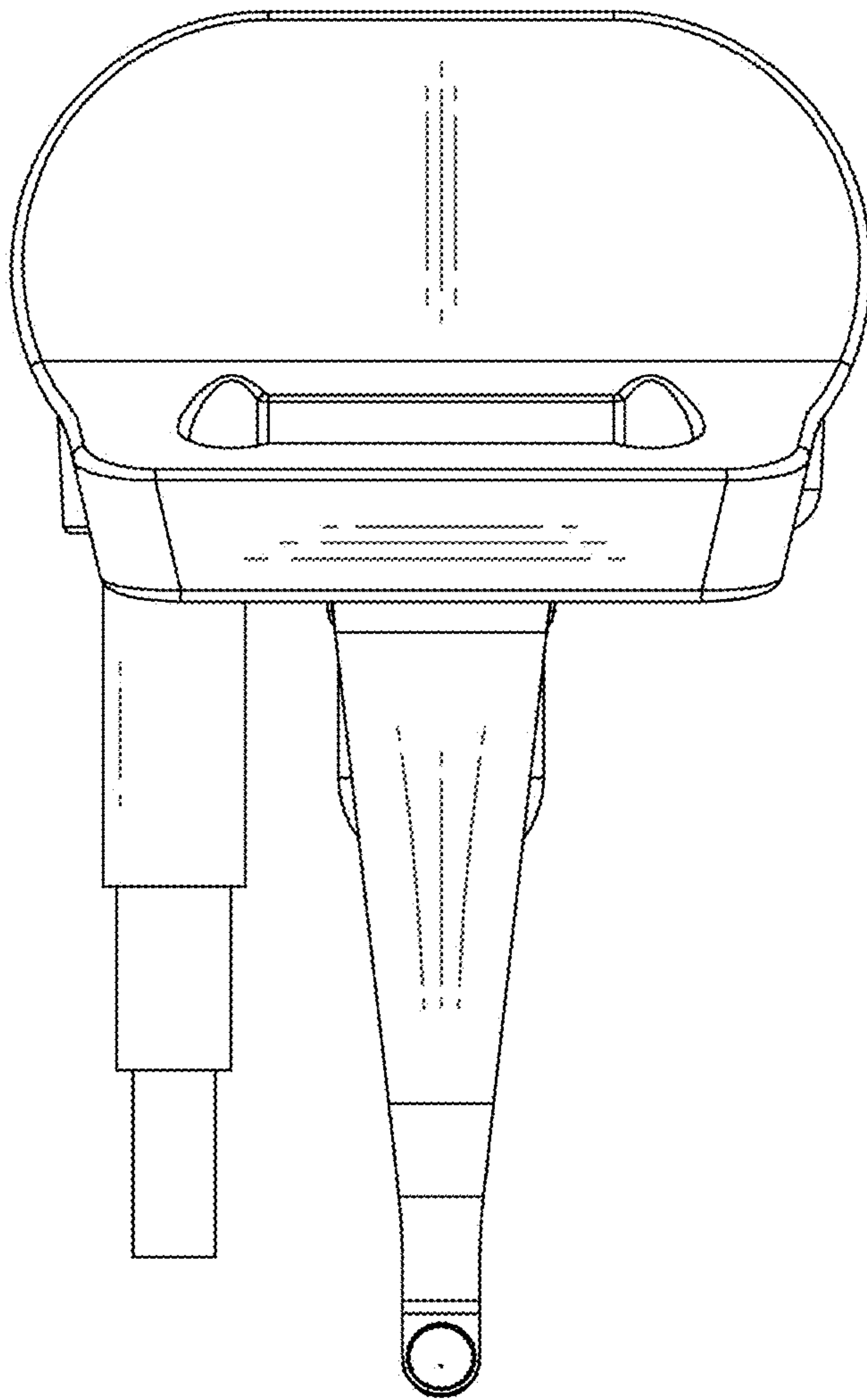


FIG. 5

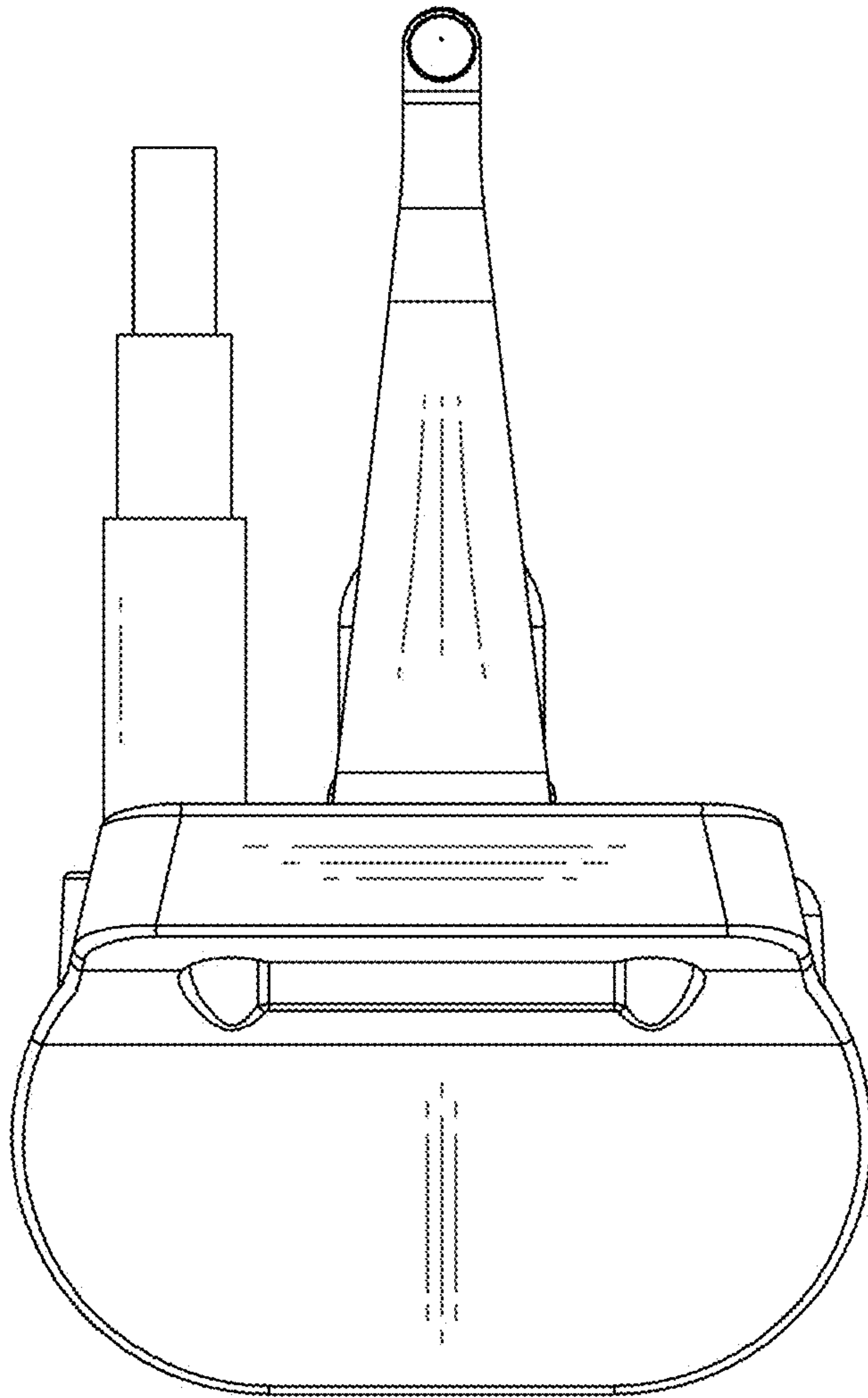


FIG. 6

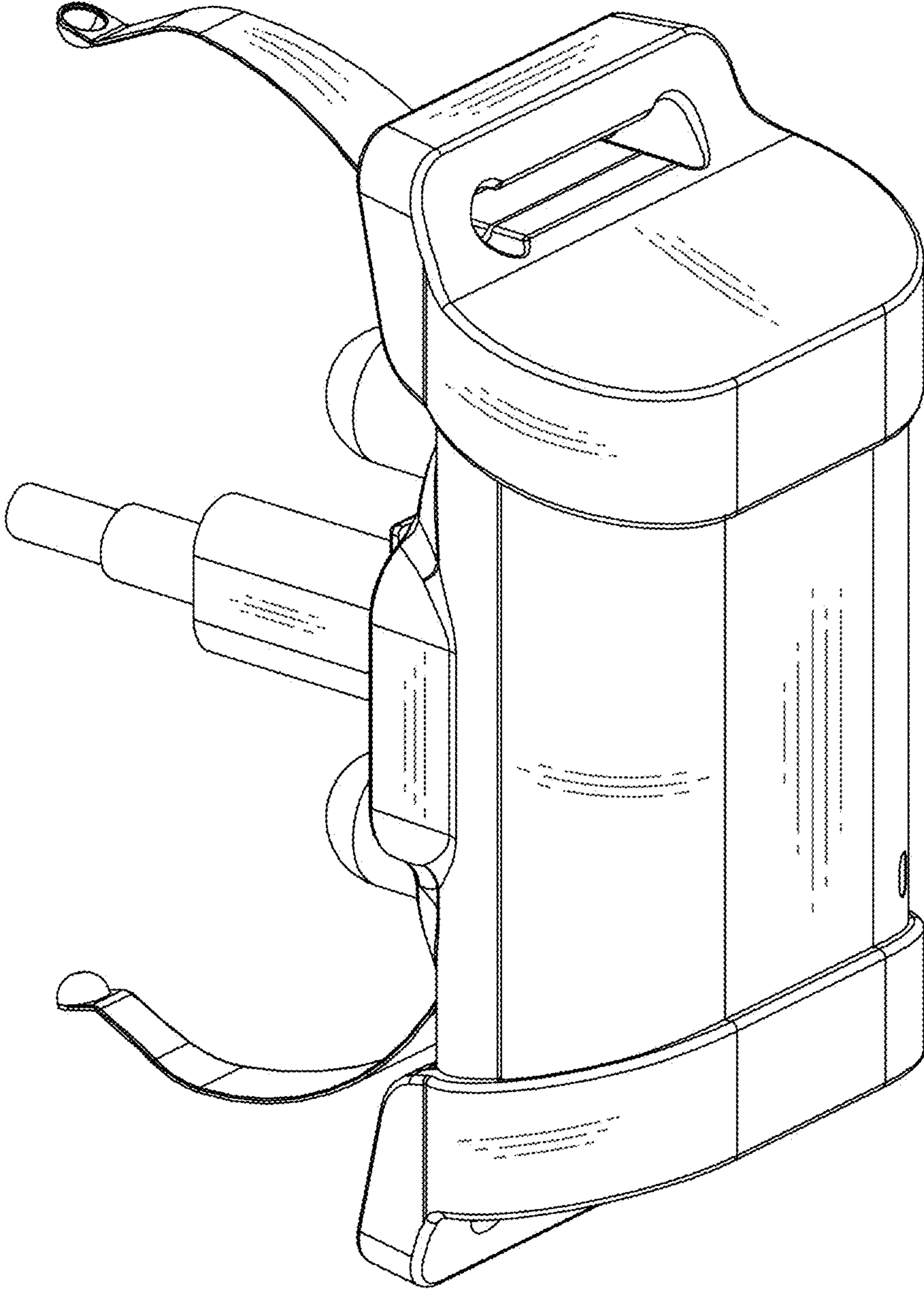


FIG. 7