



US00D990033S

(12) **United States Design Patent** (10) **Patent No.:** **US D990,033 S**
Klus (45) **Date of Patent:** **** Jun. 20, 2023**

(54) **EXTRUSION FOR LED BASED LIGHTING APPARATUS**

(71) Applicant: **KLUS, LLC**, Vero Beach, FL (US)

(72) Inventor: **Sylwester Klus**, Kamionka (PL)

(73) Assignee: **KLUS, LLC**, Vero Beach, FL (US)

(**) Term: **15 Years**

(21) Appl. No.: **29/760,844**

(22) Filed: **Dec. 4, 2020**

(51) **LOC (14) Cl.** **26-05**

(52) **U.S. Cl.**
USPC **D26/138**

(58) **Field of Classification Search**
USPC D26/72, 113, 118, 119, 120, 121, 122,
D26/138, 139, 140, 141, 142, 145, 152,
D26/154, 155, 76, 78, 79, 85; D25/119,
D25/121, 123, 125; D8/377
CPC F21S 8/00; F21S 8/031; F21S 8/033; F21S
8/038; F21K 9/20; F21K 9/237; F21V
15/013; F21V 17/04; F21V 21/00; F21V
21/02

See application file for complete search history.

(56) **References Cited**

U.S. PATENT DOCUMENTS

D353,209 S *	12/1994	Dallaire	D25/123
D469,886 S *	2/2003	Barnett	D25/119
D491,280 S *	6/2004	Barnett	D25/119
D652,985 S *	1/2012	Trzesniowski	D26/138
D652,986 S *	1/2012	Trzesniowski	D26/138
D724,259 S *	3/2015	Klus	D26/141
D731,704 S *	6/2015	Klus	D26/138
D799,720 S *	10/2017	Tress	D25/119
D807,572 S *	1/2018	Klus	D26/138
D818,187 S *	5/2018	Trzesniowski	D26/138
D818,188 S *	5/2018	Trzesniowski	D26/138
D818,194 S *	5/2018	Trzesniowski	D26/138

D818,633 S *	5/2018	Barker	D26/118
D847,412 S *	4/2019	Trzcielinski	D26/138
D906,582 S *	12/2020	Trzcielinski	D26/138
D925,817 S *	7/2021	Klus	D26/141
2010/0103687 A1 *	4/2010	Pitlor	H01R 25/142 362/382

(Continued)

FOREIGN PATENT DOCUMENTS

EM	002804799-0003	*	9/2015
EM	003243005-0011	*	6/2016
EM	004518157-0005	*	11/2017

(Continued)

OTHER PUBLICATIONS

“Klus PDS4-ALU” reference by flexfireleds.com, oldest customer review Aug. 27, 2018 [online], site visited Feb. 1, 2022, available from internet URL: <https://www.flexfireleds.com/klus/klus-pds4-alu-anodized-extrusion/> (Year: 2018).*

(Continued)

Primary Examiner — Richard Kearney
Assistant Examiner — Liv C Anderson
(74) *Attorney, Agent, or Firm* — Mark Terry

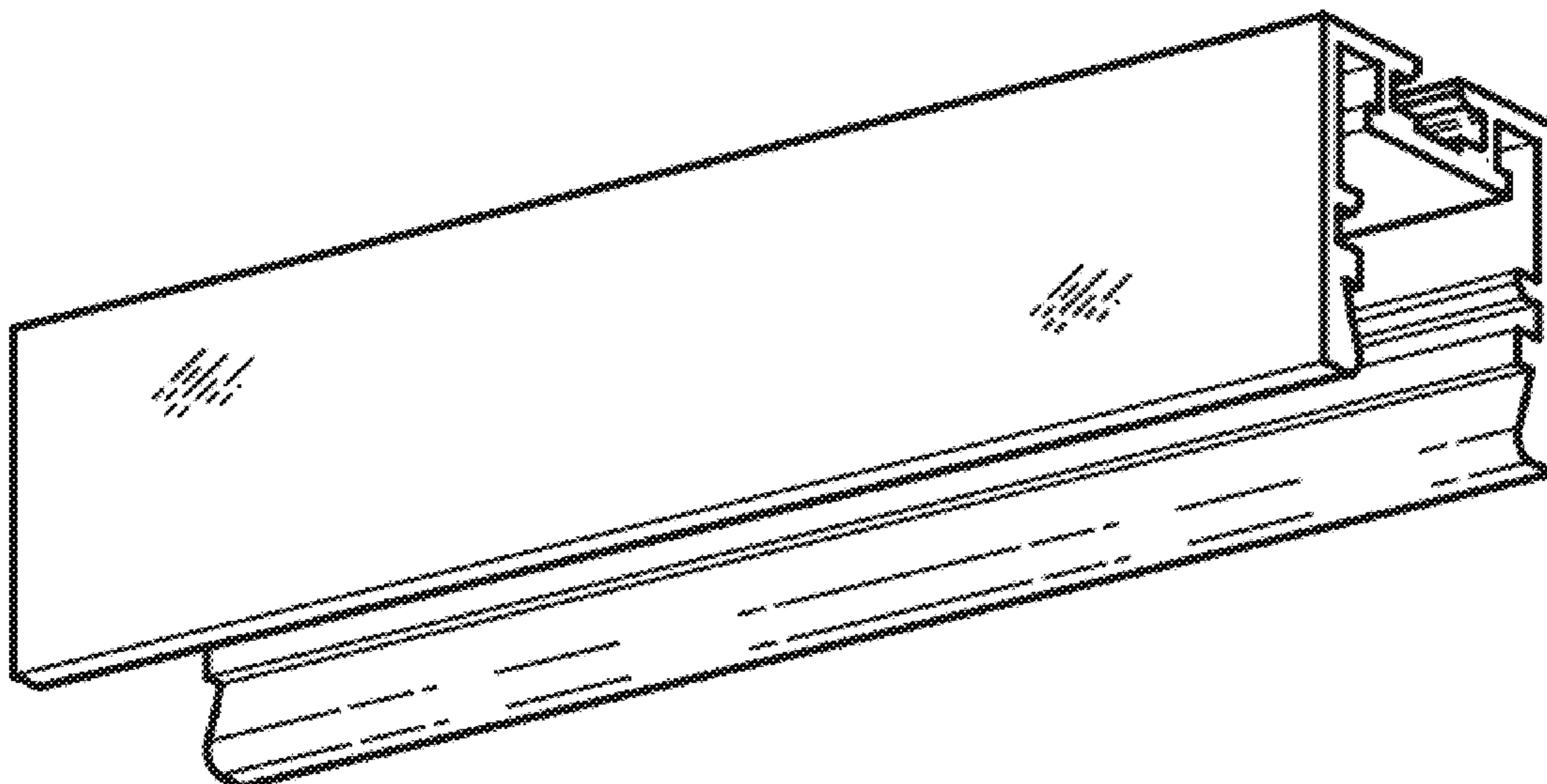
(57) **CLAIM**

The ornamental design for an extrusion for LED based lighting apparatus, as shown and described.

DESCRIPTION

FIG. 1 is a top perspective view of the extrusion for LED based lighting apparatus, showing the new design; FIG. 2 is a bottom perspective view thereof; FIG. 3 is a front view thereof; FIG. 4 is a top view thereof; FIG. 5 is a side view thereof; and, FIG. 6 is a bottom view thereof.

1 Claim, 2 Drawing Sheets



(56)

References Cited

U.S. PATENT DOCUMENTS

2021/0215323 A1* 7/2021 Flynn F21V 15/015

FOREIGN PATENT DOCUMENTS

EM 008123244-0017 * 8/2020
GB 9006574570-0006 * 6/2019

OTHER PUBLICATIONS

“Klus Giza” reference by flexfireleds.com, oldest customer review Sep. 10, 2018 [online], site visited Feb. 1, 2022, available from internet URL: <https://www.flexfireleds.com/klus/klus-giza-anodized-extrusion-kl-b5556anoda/> (Year: 2018).*

“LightingWill” reference by LightingWill on Amazon.com, date first available Aug. 23, 2018 [online], site visited Feb. 1, 2022, available from internet URL: https://www.amazon.com/dp/B07GRX6W84/ref=cm_sw_em_r_mt_dp_Q7X1STEBY51B448PZP5C (Year: 2018).*

“Muzata” reference by Muzata on Amazon.com, date first available Jul. 19, 2019 [online], site visited Feb. 1, 2022, available from internet URL: https://www.amazon.com/dp/B07V1KXPLF/ref=cm_sw_em_r_mt_dp_AHDXCCRW7RZ8PB2PF62M?_encoding=UTF8&th=1 (Year: 2019).*

“LEDProfiles” reference by LEDProfiles on Amazon.com, date first available Sep. 2, 2019 [online], site visited Feb. 1, 2022, available from internet URL: https://www.amazon.com/dp/B07XDNSB65/ref=cm_sw_em_r_mt_dp_PK9GBX0ZJ6J4F6BJ7FQF?th=1 (Year: 2019).*

“Litever” reference by Litever on Amazon.com, date first available Jul. 11, 2017 [online], site visited Feb. 1, 2022, available from internet URL: https://www.amazon.com/dp/B072KR4BLK/ref=cm_sw_em_r_mt_dp_GB5CV009HM1ZY37XKGQF (Year: 2017).*

* cited by examiner

FIG. 1

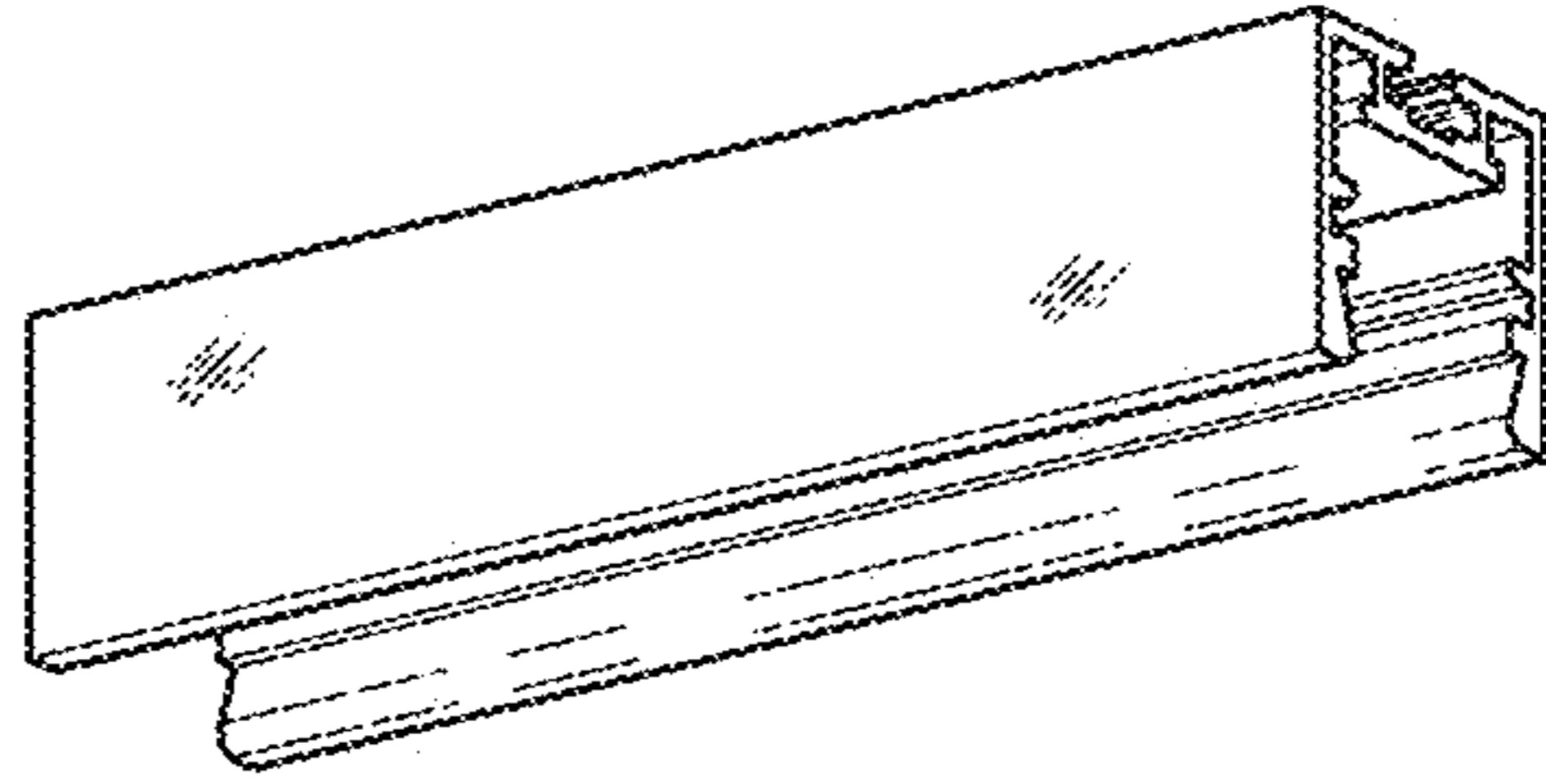


FIG. 2

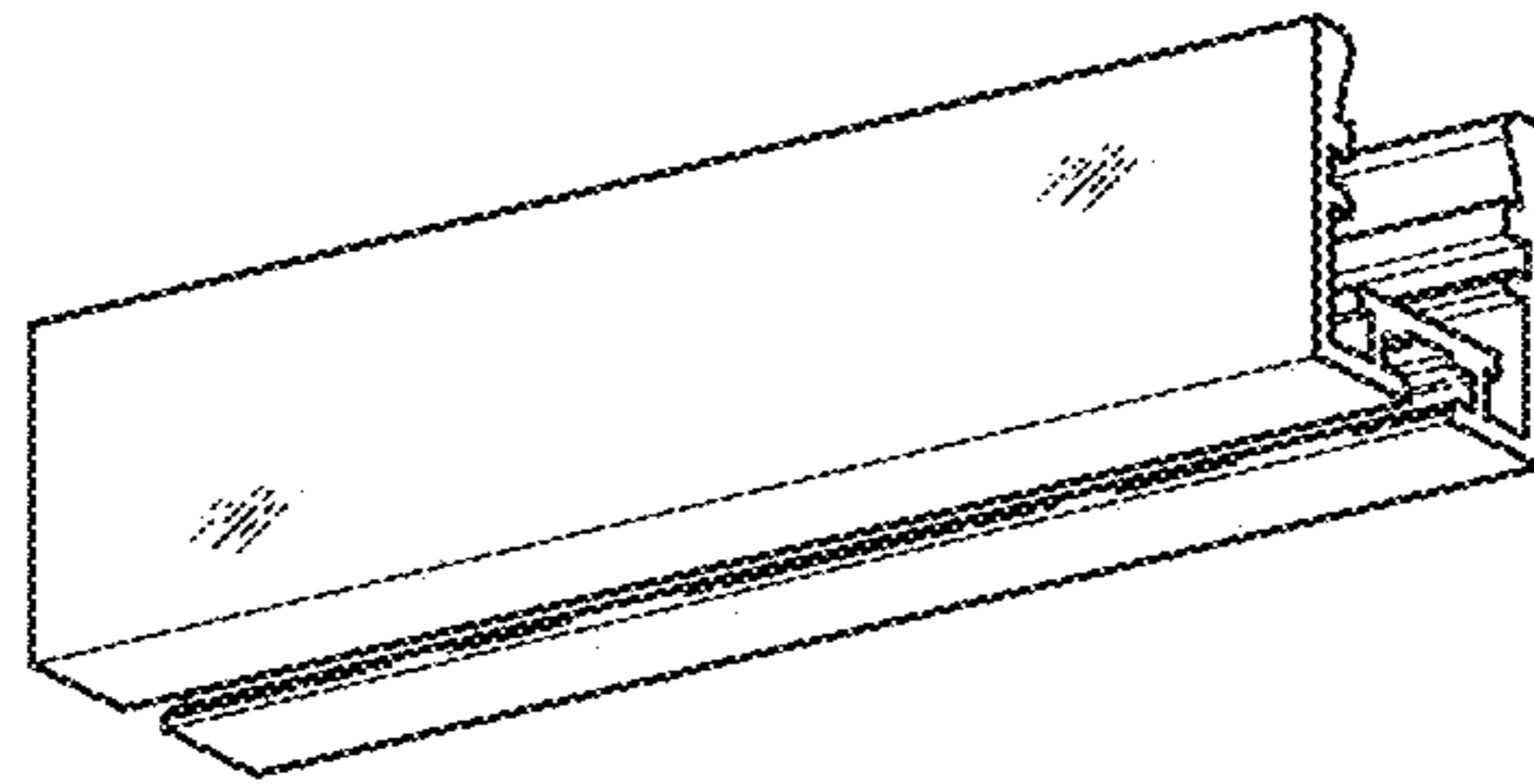


FIG. 4

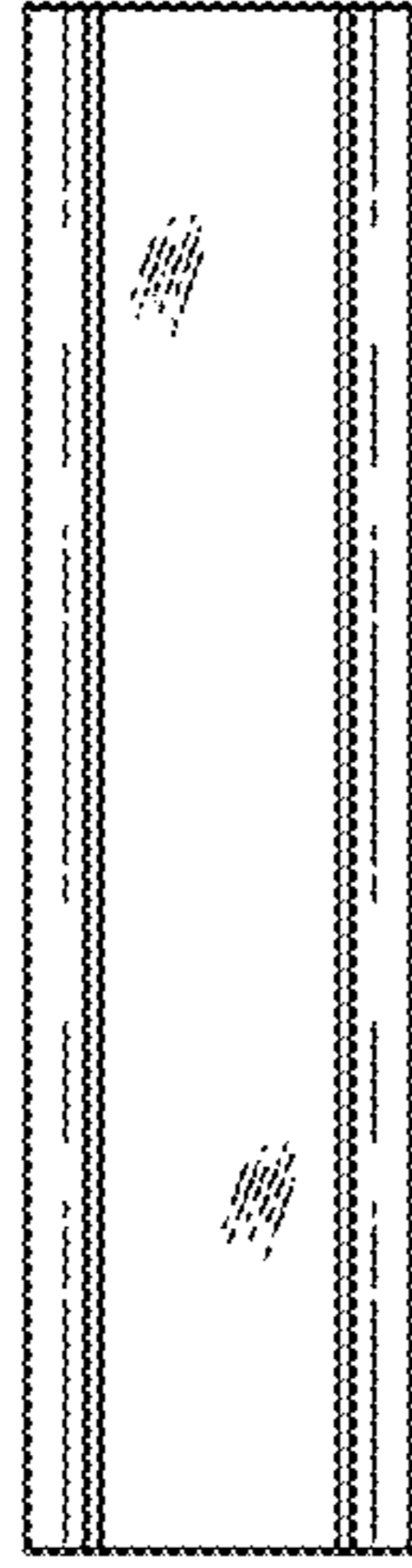


FIG. 3

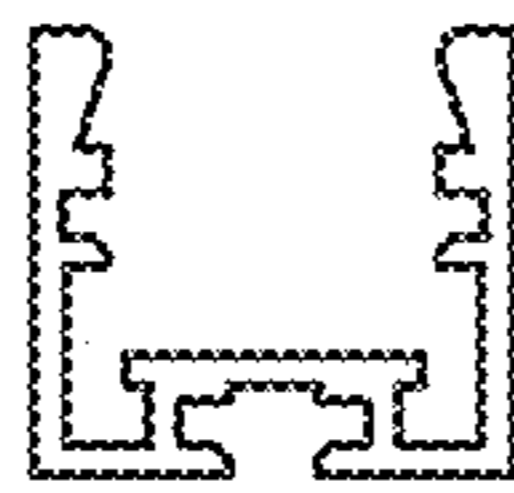


FIG. 5



FIG. 6

