



US00D989997S

(12) **United States Design Patent**  
**Ko**

(10) **Patent No.:** **US D989,997 S**

(45) **Date of Patent:** **\*\* Jun. 20, 2023**

(54) **LAMP FOR A VEHICLE**

(71) Applicants: **VISION X ASIA CO., LTD.**,  
Hwaseong-si (KR); **In Hong Ko**, Seoul  
(KR)

(72) Inventor: **In Hong Ko**, Seoul (KR)

(73) Assignee: **BROWN & WATSON**  
**INTERNATIONAL LIMITED**,  
Hwaseong-si (KR)

(\*\*) Term: **15 Years**

(21) Appl. No.: **29/751,734**

(22) Filed: **Sep. 23, 2020**

(30) **Foreign Application Priority Data**

Aug. 11, 2020 (KR) ..... 30-2020-0037229

(51) **LOC (14) Cl.** ..... **26-06**

(52) **U.S. Cl.**  
USPC ..... **D26/28**

(58) **Field of Classification Search**  
USPC ..... D26/28, 29, 30, 31, 32, 33, 34, 35, 36,  
D26/139; D10/114.3, 114.4, 114.5  
CPC ..... F21W 2103/35; F21W 2103/40; F21W  
2102/17; F21W 2102/30; F21W 2103/00;  
F21W 2103/55; F21W 2104/00; F21W  
2107/17; F21W 2107/13; F21S 41/00;  
F21S 41/141; F21S 41/162; F21S 41/18;  
F21S 41/20; F21S 41/33; F21S 41/36;  
F21S 41/60; F21S 43/00; F21S 10/06;  
B60Q 1/2611; B60Q 1/52

See application file for complete search history.

(56) **References Cited**

**U.S. PATENT DOCUMENTS**

D729,677 S \* 5/2015 Aho ..... D10/114.4  
D749,253 S \* 2/2016 Marroquin ..... D26/31

D762,315 S \* 7/2016 Lin ..... D26/31  
D768,896 S \* 10/2016 Smith ..... D26/31  
D781,474 S \* 3/2017 Graham ..... D26/31  
D782,090 S \* 3/2017 Graham ..... D26/31  
D823,151 S \* 7/2018 Deyaf ..... D10/114.4  
D858,816 S \* 9/2019 Ko ..... D26/28  
D881,428 S \* 4/2020 Ko ..... D26/28  
D897,015 S \* 9/2020 Gong ..... D26/31  
2016/0076748 A1 \* 3/2016 Sievers ..... H05B 45/20  
362/231  
2019/0323688 A1 \* 10/2019 Ko ..... F21V 19/003

**FOREIGN PATENT DOCUMENTS**

EP 2078973 A1 \* 7/2009 ..... F21S 48/1154

\* cited by examiner

*Primary Examiner* — Angela J Lee

(74) *Attorney, Agent, or Firm* — Cantor Colburn LLP

(57) **CLAIM**

The ornamental design for a lamp for a vehicle, as shown and described.

**DESCRIPTION**

FIG. 1 is a front side perspective view of a lamp for a vehicle showing my new design;  
FIG. 2 is a rear side perspective view thereof;  
FIG. 3 is a front elevational view thereof;  
FIG. 4 is a rear elevational view thereof;  
FIG. 5 is an enlarged left side elevational view thereof;  
FIG. 6 is an enlarged right side elevational view thereof;  
FIG. 7 is a top plan view thereof; and,  
FIG. 8 is a bottom plan view thereof.

**1 Claim, 4 Drawing Sheets**

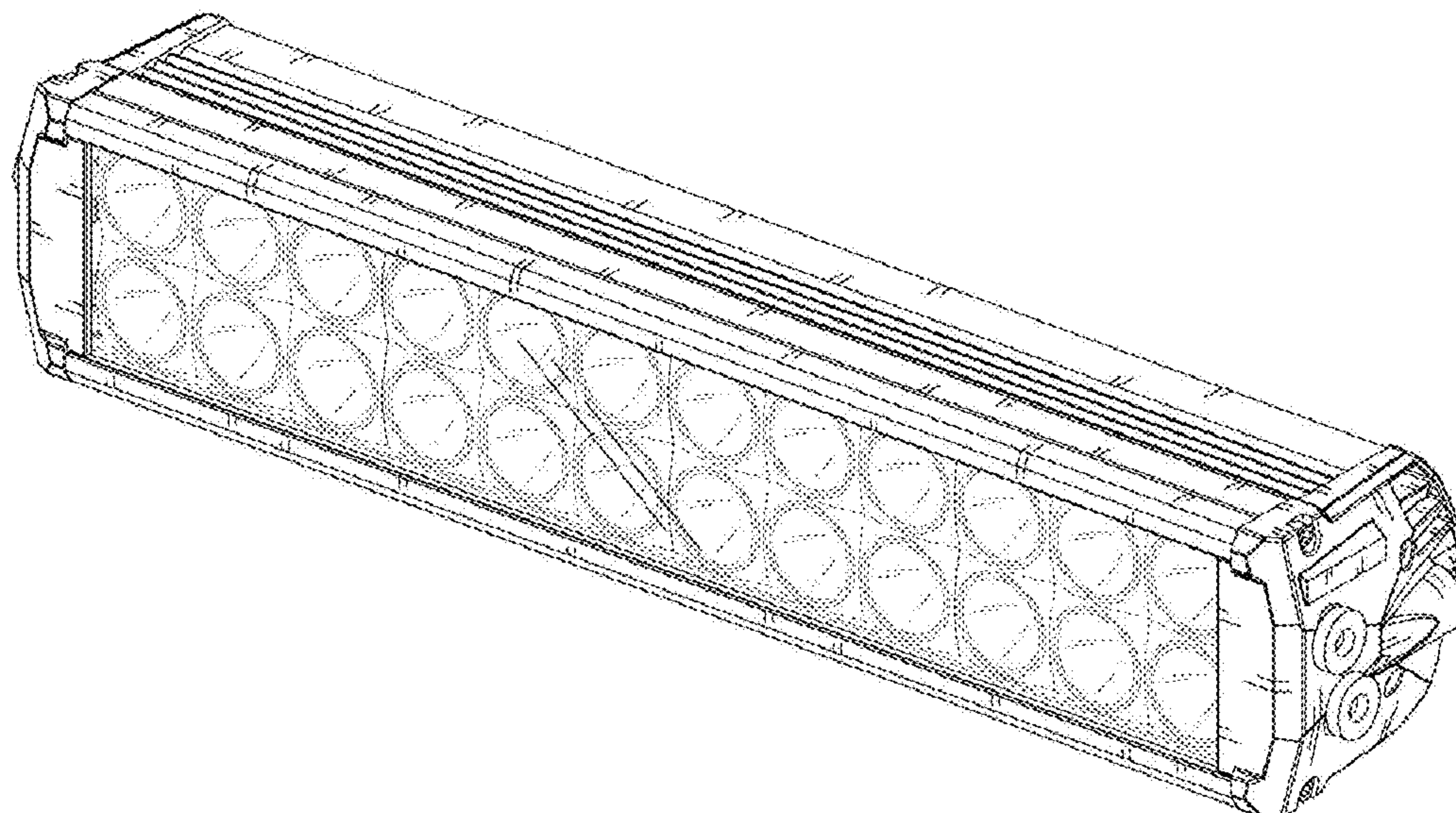


FIG. 1

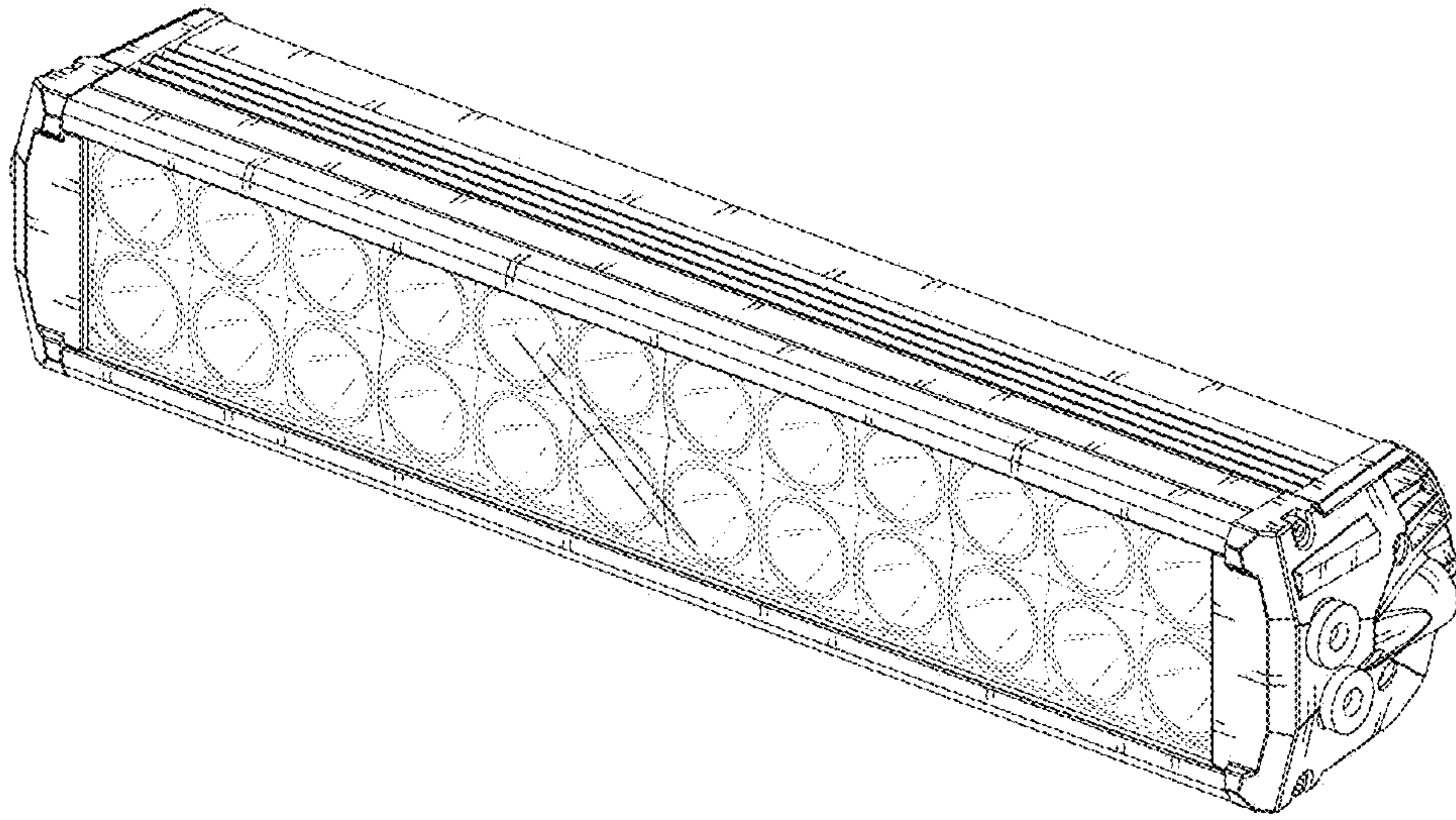


FIG. 2

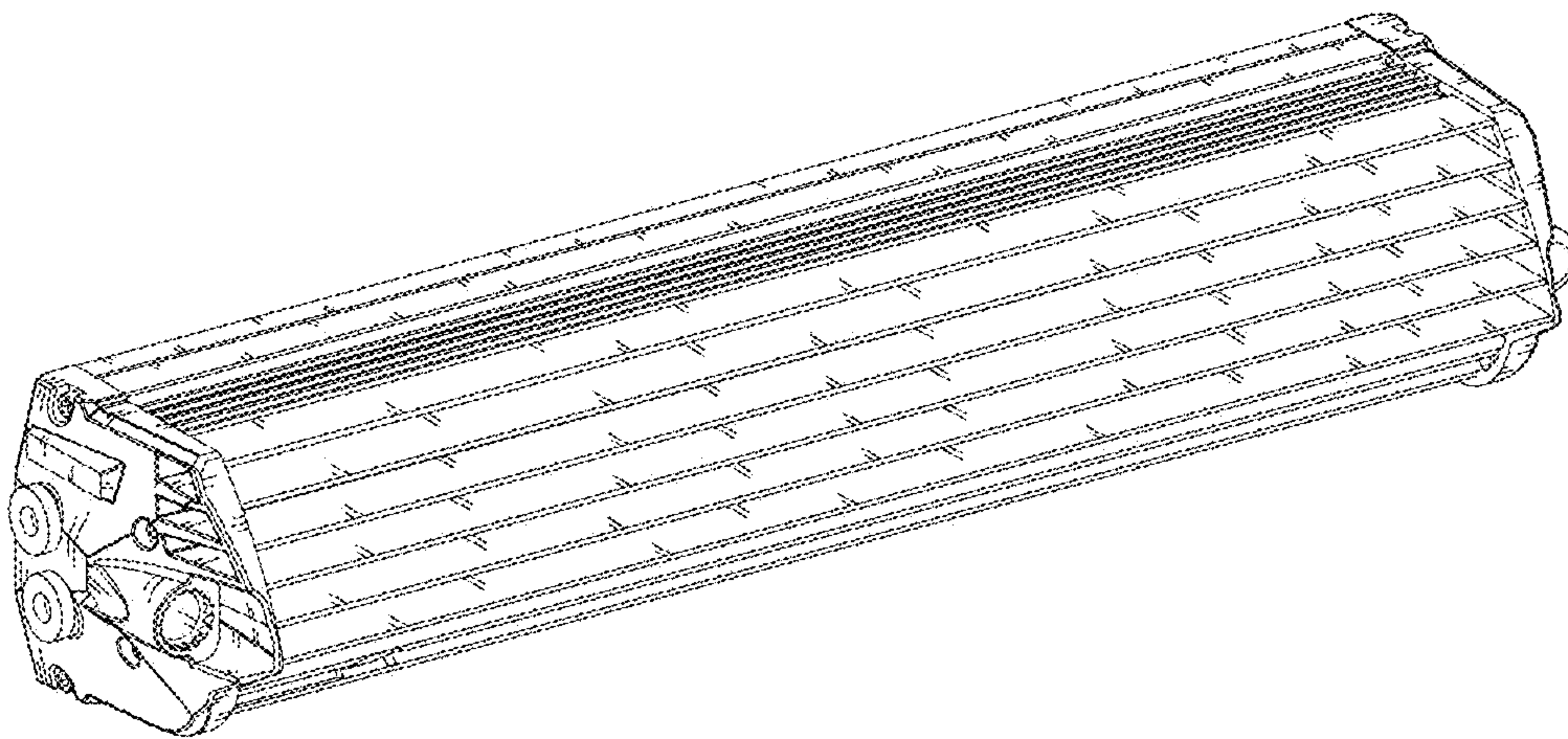




FIG. 3

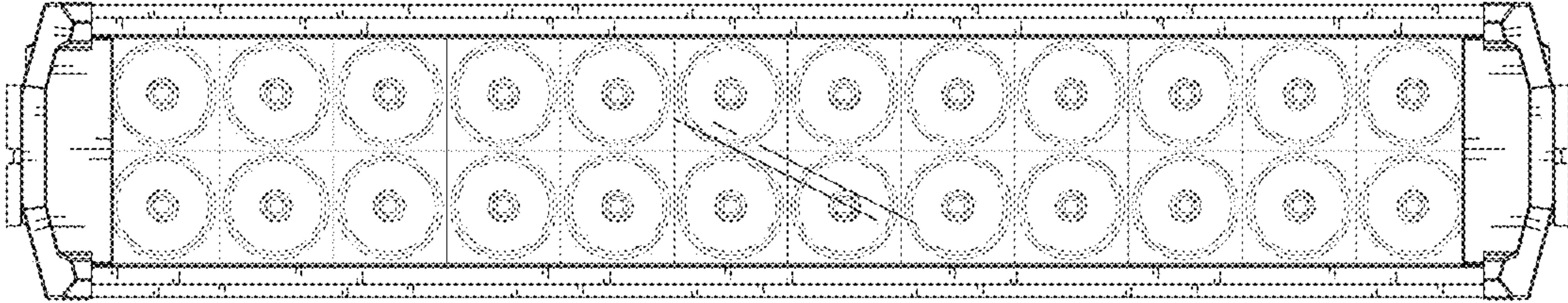


FIG. 4



FIG. 5

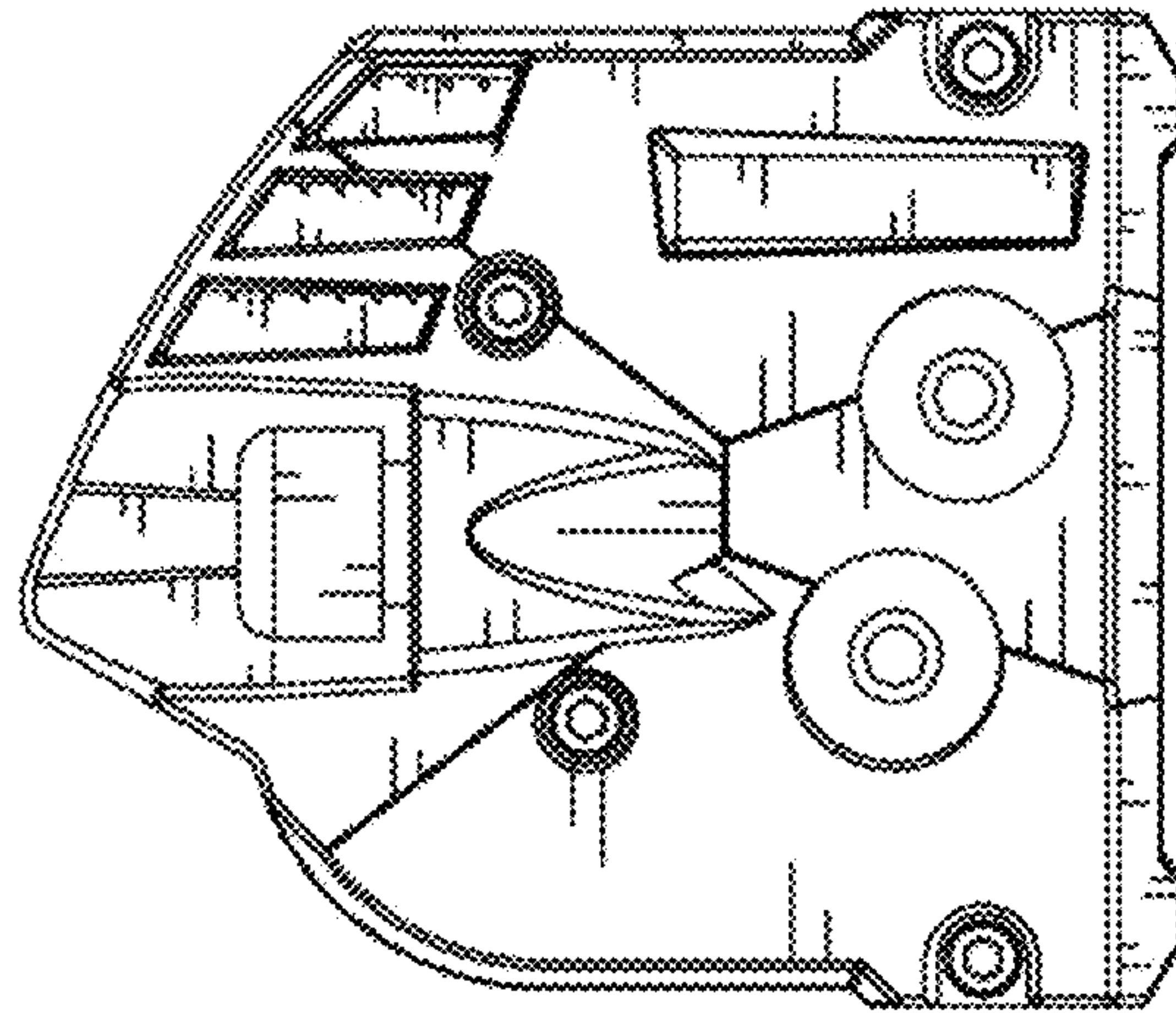


FIG. 6

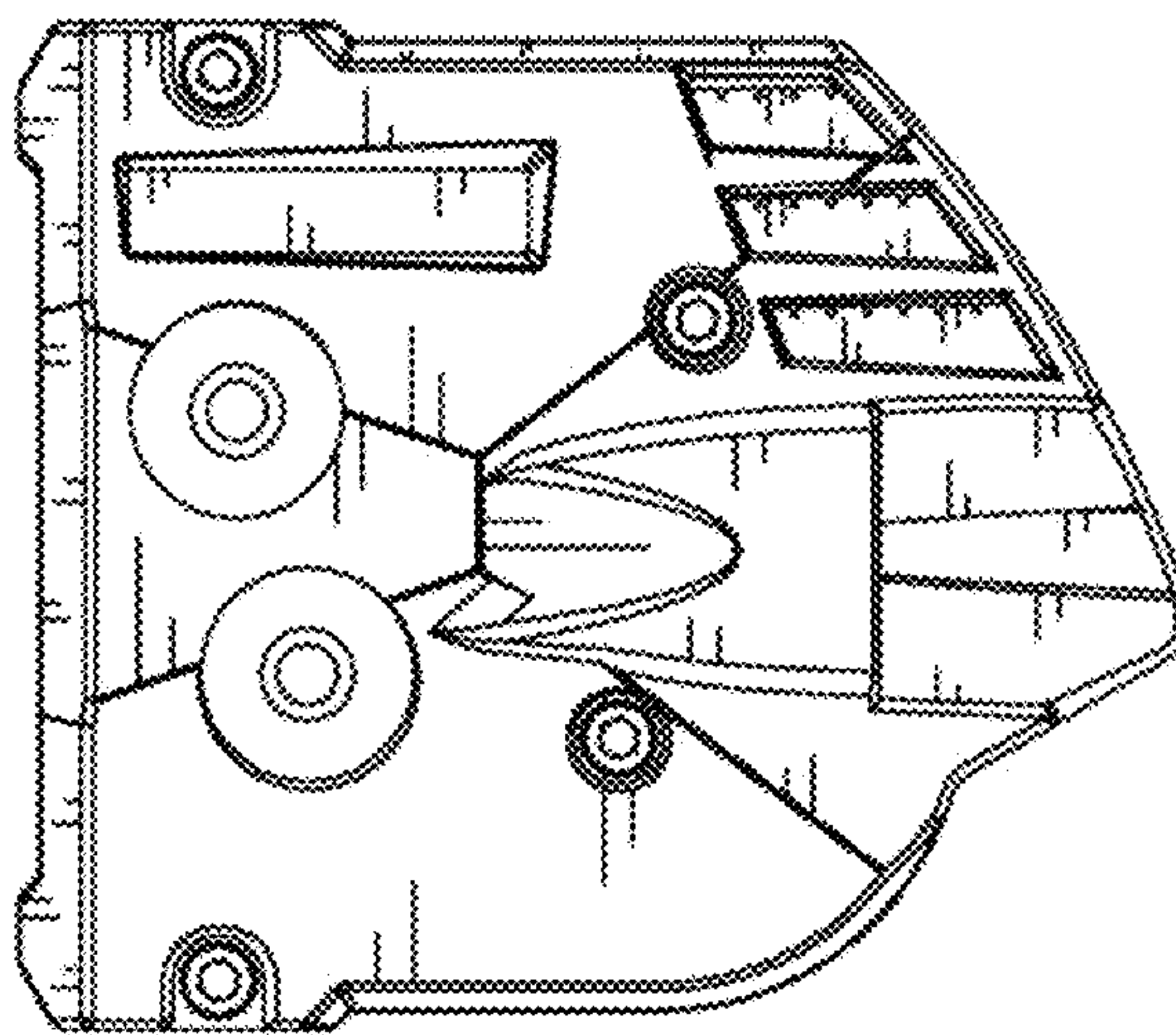


FIG. 7

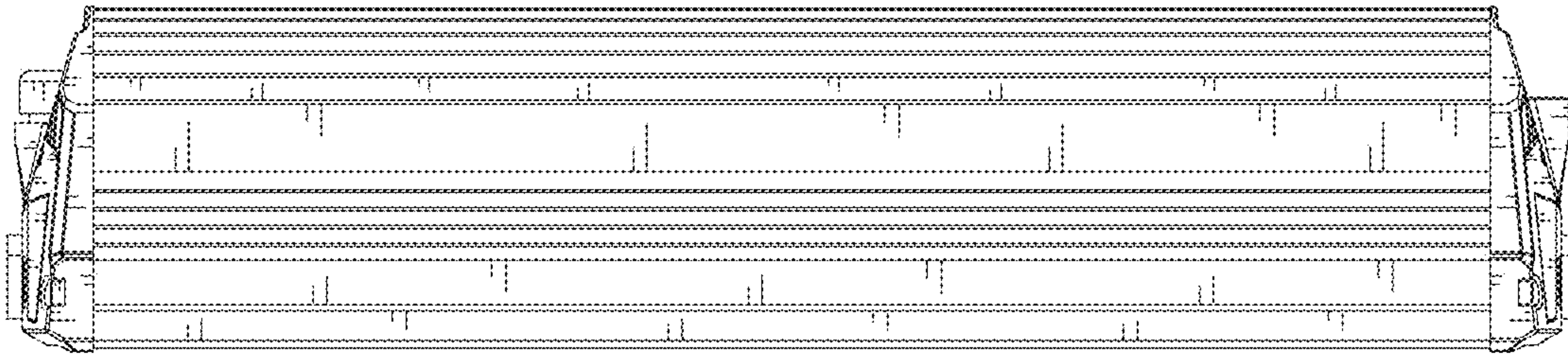


FIG. 8

