



(12) **United States Design Patent**
Cavello

(10) **Patent No.:** **US D989,994 S**
(45) **Date of Patent:** **** Jun. 20, 2023**

(54) **CANDLE ASSEMBLY DRAIN**

(71) Applicant: **Christopher Cavello**, Austin, TX (US)
(72) Inventor: **Christopher Cavello**, Austin, TX (US)
(**) Term: **15 Years**

(21) Appl. No.: **29/789,085**
(22) Filed: **Aug. 30, 2021**

Related U.S. Application Data

(62) Division of application No. 29/642,480, filed on Mar. 29, 2018, now Pat. No. Des. 929,619.
(51) **LOC (14) Cl.** **26-01**
(52) **U.S. Cl.**
USPC **D26/23**
(58) **Field of Classification Search**
USPC D26/37-42, 46, 50, 9, 12, 20, 22-23, 96;
D11/117, 121, 125, 131; 431/292, 289,
431/297, 295, 294, 293; 362/447-448
CPC F21V 35/00; F21V 35/003; F21V 3/00;
F23D 3/16; F23D 5/04
See application file for complete search history.

(56) **References Cited**

U.S. PATENT DOCUMENTS

D72,688 S * 5/1927 West F21V 3/04
D26/22
D82,720 S * 12/1930 Babitzky D26/9
D119,821 S * 4/1940 Sheerer D26/67
2,478,864 A * 8/1949 Dillon F21V 35/00
431/156
D156,097 S * 11/1949 Heisey D7/558
6,033,210 A * 3/2000 Freeman C11C 5/002
6,315,433 B1 * 11/2001 Cavello F21V 3/04
362/318
D465,587 S * 11/2002 Papai D26/23
D537,178 S * 2/2007 Adams D26/23

(Continued)

FOREIGN PATENT DOCUMENTS

EA 002412494-0011 3/2014
EM 000651633-0005 * 2/2007
(Continued)

OTHER PUBLICATIONS

“Lot of 6 Depression Estate Glass Candle,” Nov. 20, 2011, antiquesnavigator.com, site visited Feb. 5, 2021, URL: <https://www.antiquesnavigator.com/d-755821/lot-of-6-depression-estate-glass-candle-wax-guard-vintage-drip-catcher.html> (Year: 2011).*
(Continued)

Primary Examiner — Eric L Goodman
Assistant Examiner — Sarah L Smith
(74) *Attorney, Agent, or Firm* — Lee & Hayes, P.C.

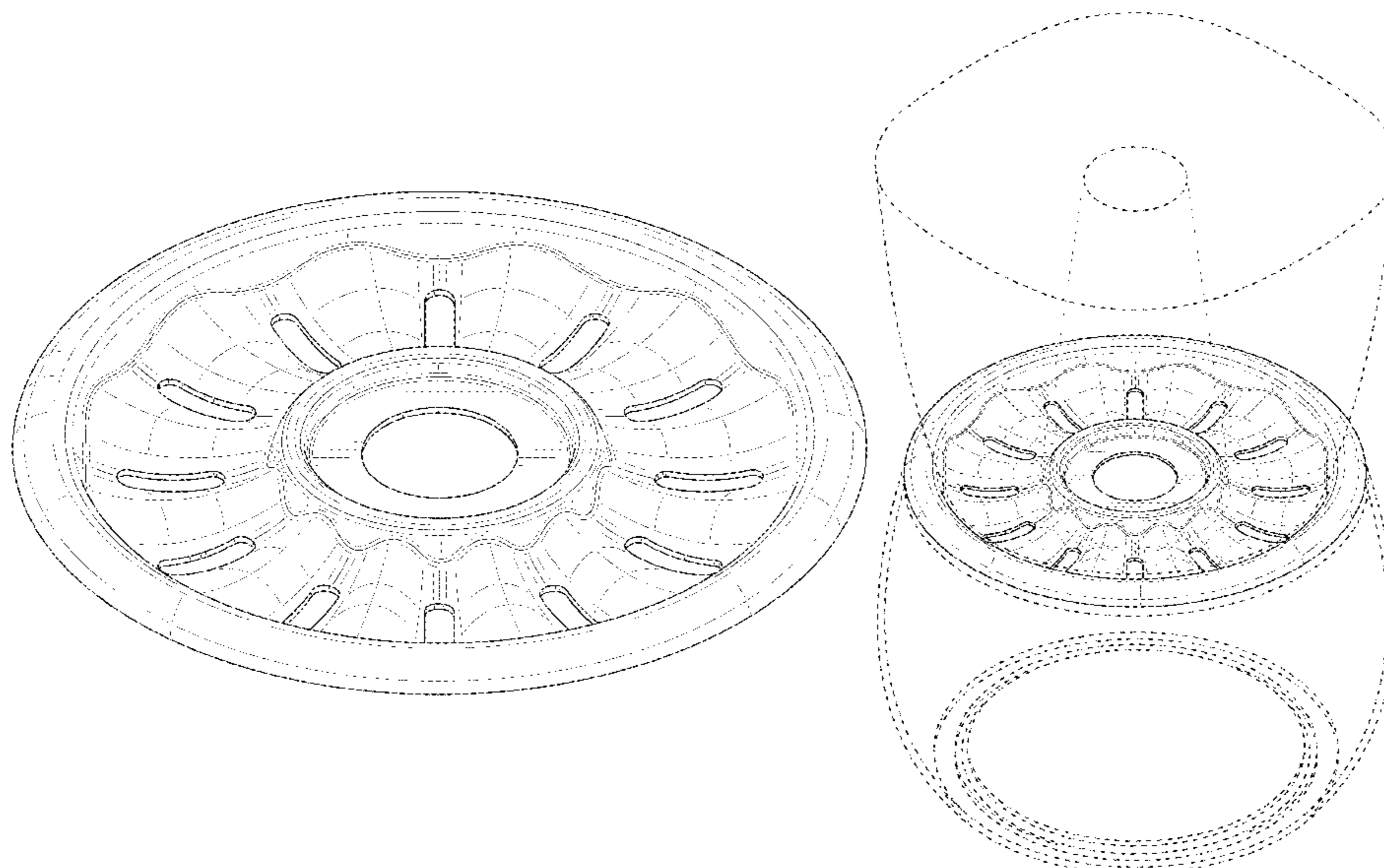
(57) **CLAIM**

The ornamental design for a candle assembly drain, as shown and described.

DESCRIPTION

FIG. 1 is a top perspective view of a candle assembly drain. FIG. 2 is a bottom perspective view of a candle assembly drain. FIG. 3 is a front view a candle assembly drain of FIG. 1. FIG. 4 is a back view of a candle assembly drain. FIG. 5 is a left-side view of a candle assembly drain. FIG. 6 is a right-side view of a candle assembly drain. FIG. 7 is a top view of a candle assembly drain. FIG. 8 is a bottom view of a candle assembly drain. FIG. 9 is a bottom perspective view of a candle assembly drain of FIG. 1 showing unclaimed environment (i.e., a base and a mold) of the candle assembly drain; and, FIG. 10 is a top perspective view of a candle assembly drain of FIG. 1 showing unclaimed environment (i.e., a base, and a mold) of the candle assembly drain.

1 Claim, 10 Drawing Sheets



(56)

References Cited

U.S. PATENT DOCUMENTS

D550,378 S * 9/2007 Adams D26/23
D575,886 S * 8/2008 Adams F23D 3/16
D26/20
D646,000 S * 9/2011 Blackman F21V 35/00
D26/23
D646,001 S * 9/2011 Blackman F21V 35/00
D26/23
10,030,849 B2 * 7/2018 Cho
D929,619 S * 8/2021 Cavello D26/23
2015/0323172 A1 * 11/2015 Singer F21V 35/00
431/292
2016/0201900 A1 * 7/2016 Masterson F23D 3/16
431/2
2017/0086609 A1 * 3/2017 Norris A47G 19/00
2019/0017695 A1 * 1/2019 Goldstein F21V 35/00

FOREIGN PATENT DOCUMENTS

EM 000664438-0003 * 3/2007
EM 002412494-0011 * 3/2014
JP D1339287 * 9/2008

OTHER PUBLICATIONS

“Ekena Millwork CM20BE1 Berkshire Ceiling Medallion,” Jan. 19, 2012, amazon.com, site visited Feb. 5, 2021, URL: https://www.amazon.com/Ekena-Millwork-CM20BE1-Berkshire-Medallion/dp/B00B4G79TO/ref=sr_1_11?dchild=1&keywords=ceiling+medallion&qid=1612542296&sr=8-11 (Year: 2012).
“Hearts Large Galvanized Metal Candle Capper Topper,” Sep. 8, 2012, amazon.com, site visited Feb. 5, 2021, URL: https://www.amazon.com/Hearts-Galvanized-Candle-Capper-Topper/dp/B003115ZX0/ref=sr_1_7?dchild=1&keywords=candle+jar+topper&qid=1612547826&sr=8-7 (Year: 2012).
“Concordia Supply Candlelight Service,” Aug. 31, 2016, amazon.com.au, site visited Feb. 5, 2021, URL: <https://www.amazon.com.au/Concordia-Supply-Candlelight-Service-Protectors/dp/B01LBQXE90> (Year: 2016).
“Gardman BA01281 Pedestal Bird Bath,” Dec. 16, 2017, amazon.com.au https://www.amazon.com.au/Pedestal-Resin-Bath-Antique-Bronze-Effect/dp/B000HHJJE4/ref=sr_1_5?dchild=1&keywords=pedestal+bird+bath&qid=1612546244&sr=8-5 (Year: 2017).
“Concordia Supply Candlelight Service”, retrieved Feb. 5, 2021, at <<<https://www.amazon.com.au/Concordia-Supply-Candlelight-Service-Protectors/dp/B01LBQXE90>>>, Aug. 2016, 3 pgs.
“Ekena Millwork CM20BE1 Berkshire Ceiling Medallion”, retrieved on Feb. 5, 2021, at <<https://www.amazon.com/Ekena-Millwork-CM20BE1-Berkshire-Medallion/dp/B00B4G79TO/ref=sr_1_11?dchild=1&keywords=ceiling+medallion&qid=1612542296&sr=8-11>>, Jan. 2012, 9 pgs.
“Gardman BA01281 Pedestal Bird Bath”, retrieved on Feb. 5, 2021, at <<https://www.amazon.com.au/Pedestal-Resin-Bath-Antique-Bronze-Effect/dp/B000HHJJE4/ref=sr_1_5?dchild=1&keywords=pedestal+bird+bath&qid=1612546244&sr=8-5>>, Dec. 2017, 4 pgs.
“Hearts Large Galvanized Metal Candle Capper Topper”, retrieved on Feb. 5, 2021, at <<https://www.amazon.com/Hearts-Galvanized-Candle-Capper-Topper/dp/B003115ZX0/ref=sr_1_7?dchild=1&keywords=candle+jar+topper&qid=1612547826&sr=8-7>>, Sep. 2012, 5 pgs.
“Lot of 6 Depression Estate Glass Candle Wax Guard Vintage Drip Catcher”, retrieved on Feb. 5, 2021, at <<<https://www.antiquesnavigator.com/d-755821/lot-of-6-depression-estate-glass-wax-guard-vintage-drip-catcher.html>>>, Nov. 2011, 12 pgs.

* cited by examiner

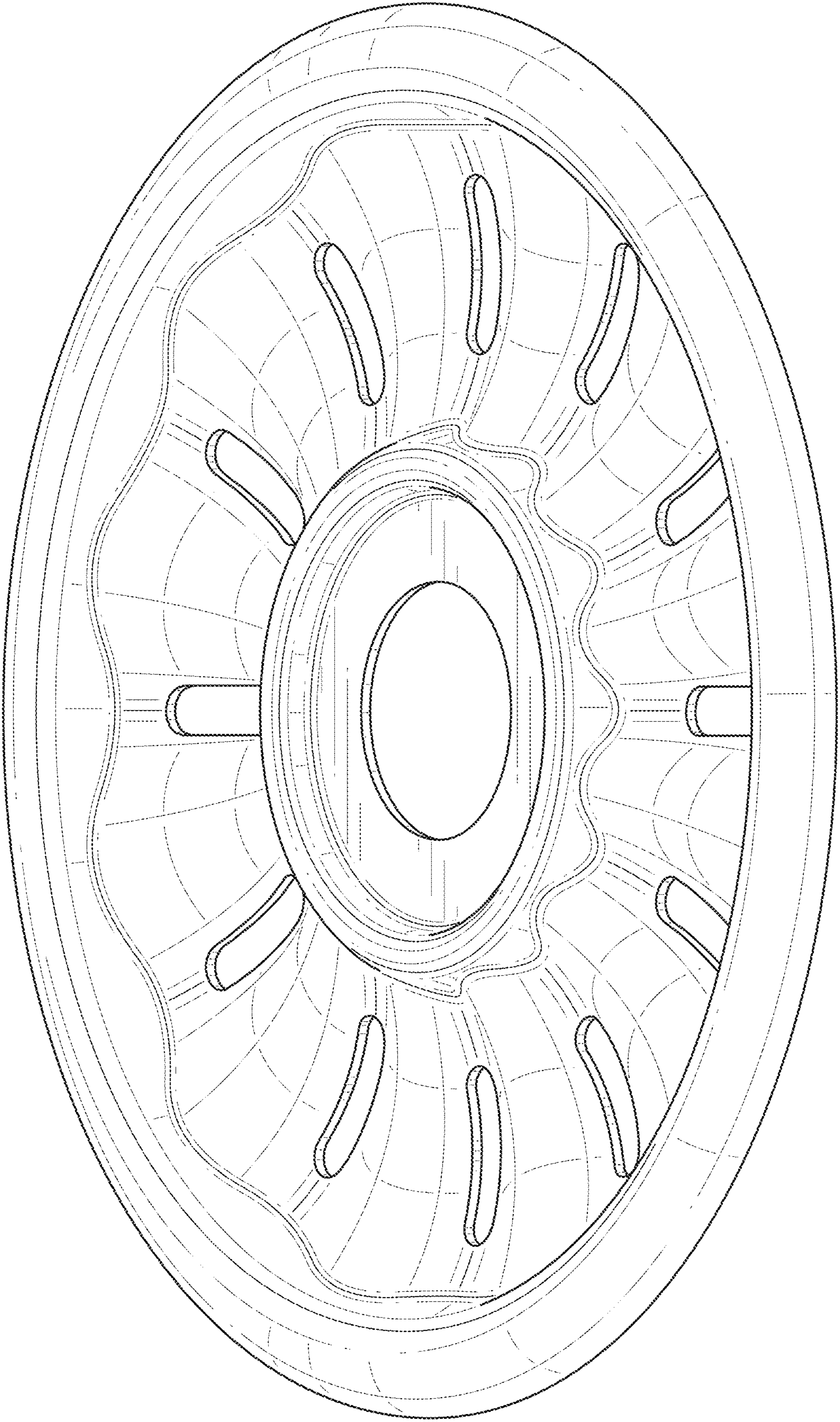


FIG. 1

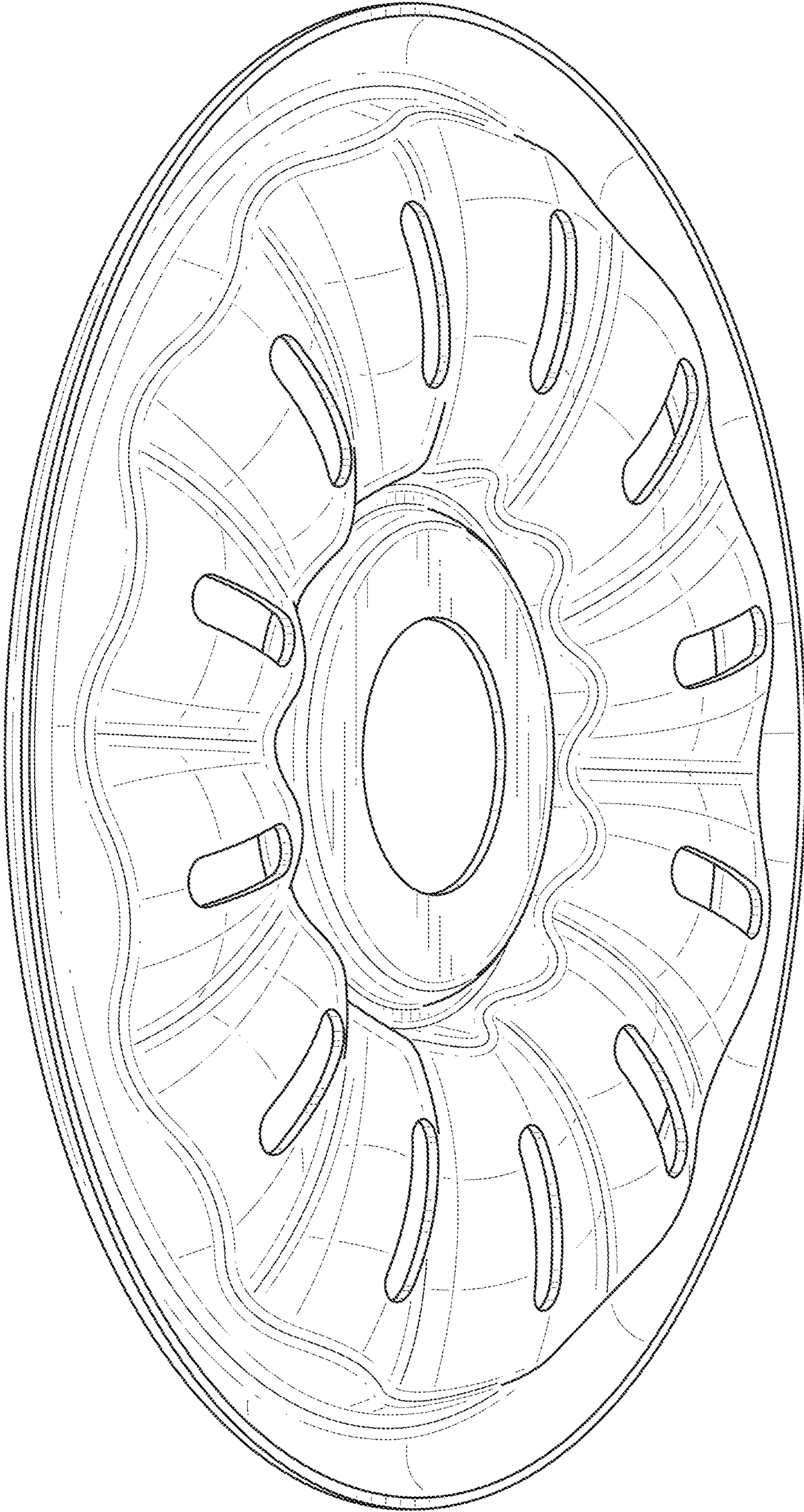


FIG. 2

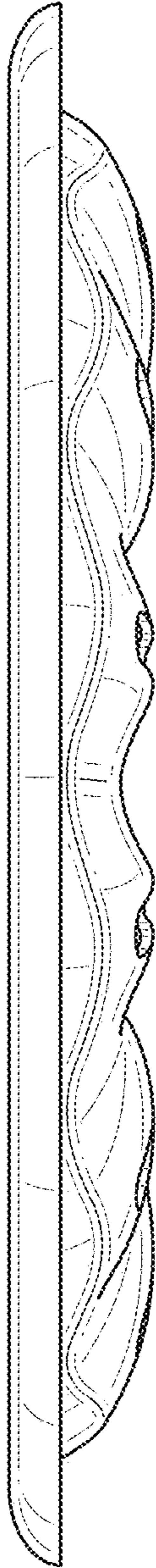


FIG. 3

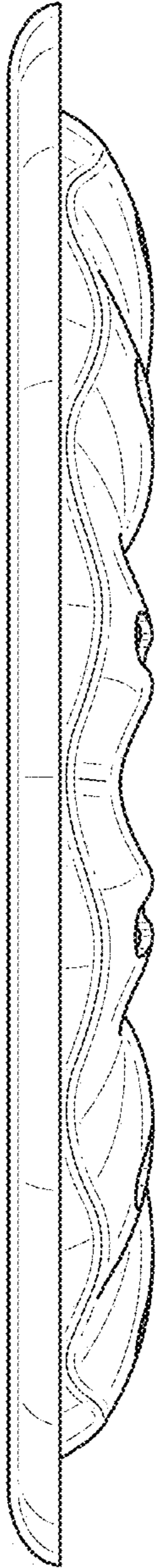


FIG. 4

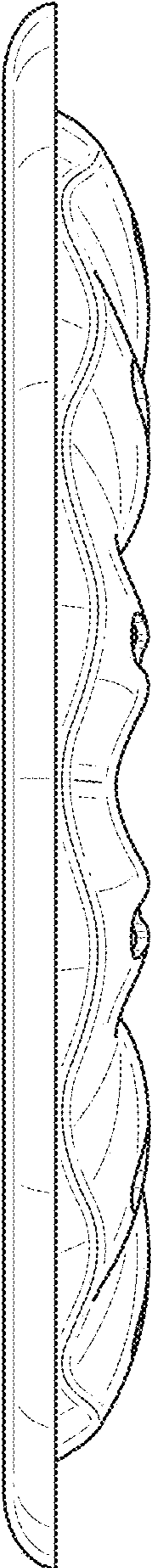


FIG. 5

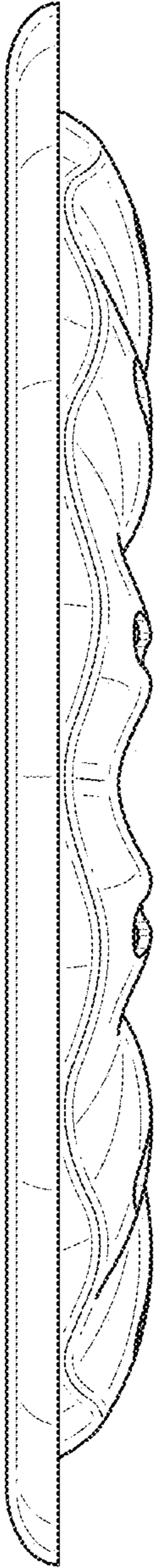


FIG. 6

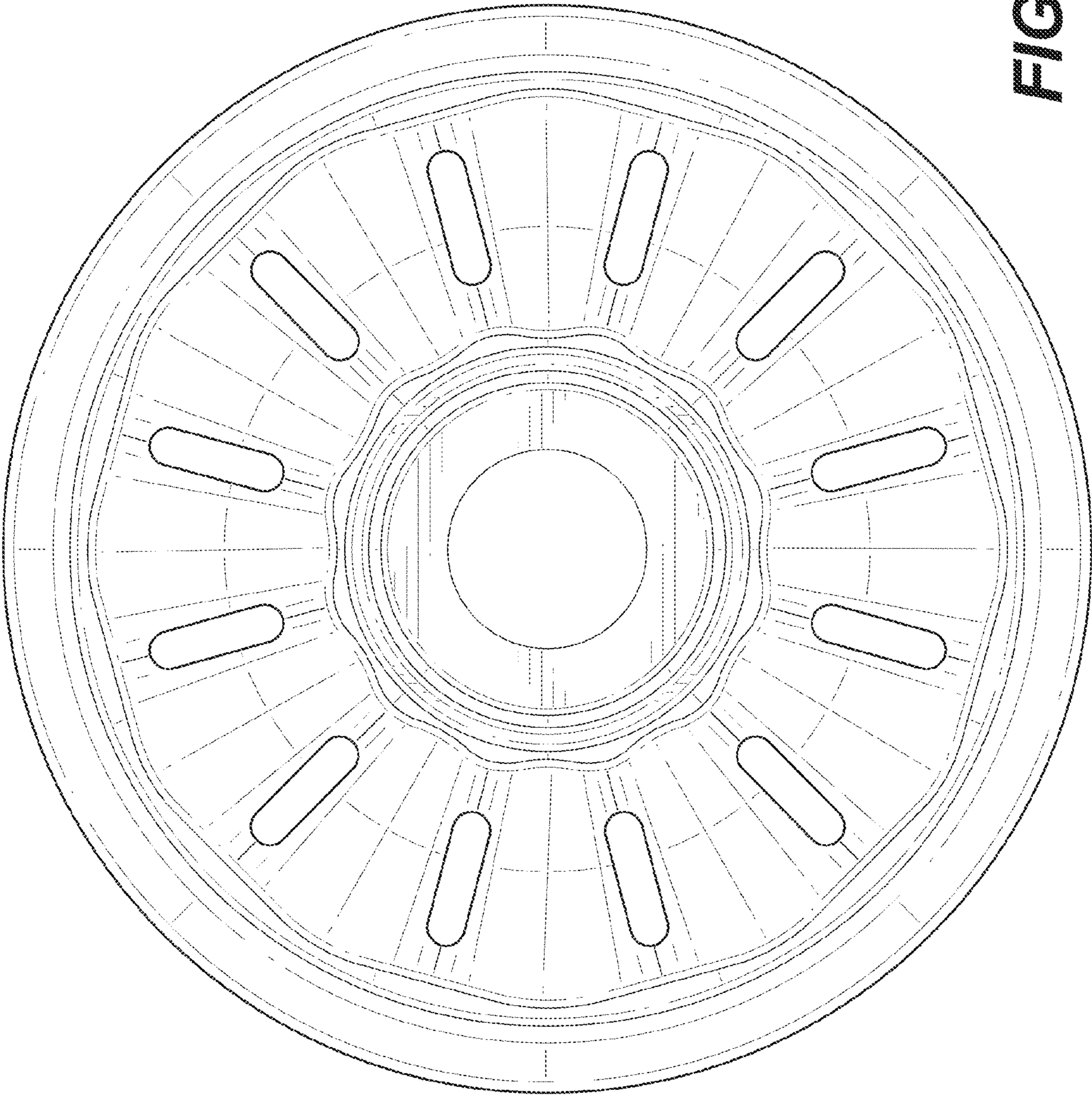


FIG. 7

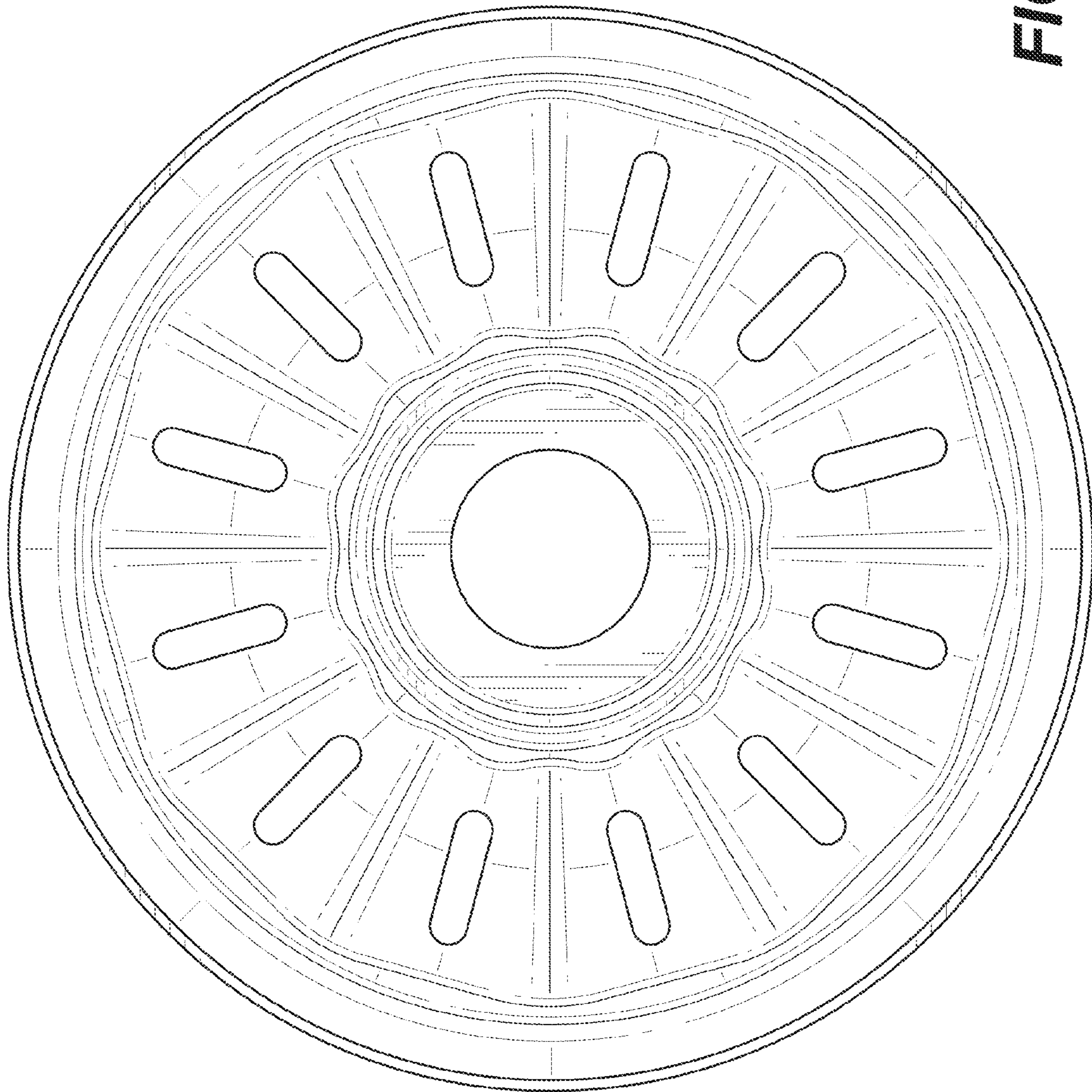


FIG. 8

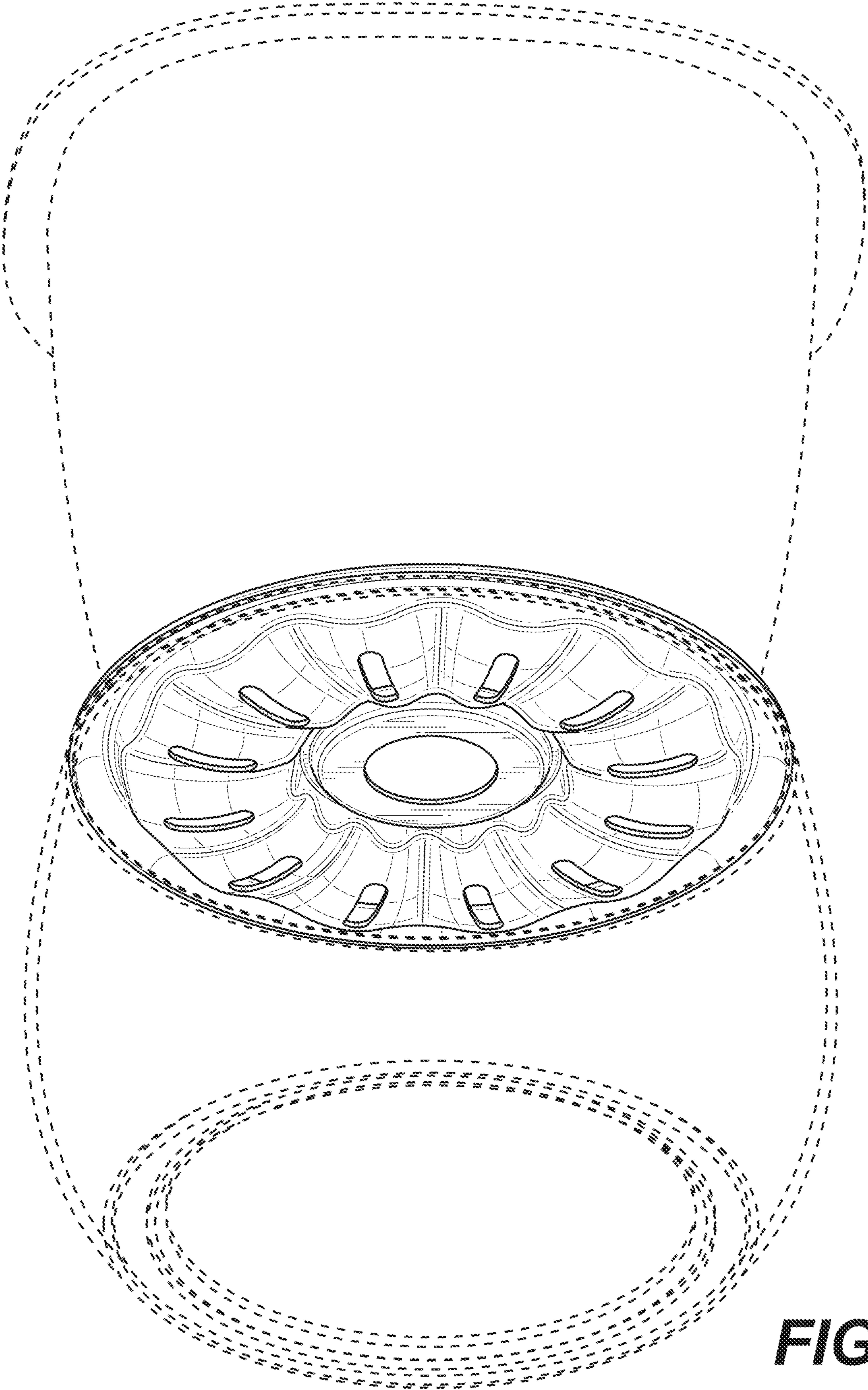


FIG. 9

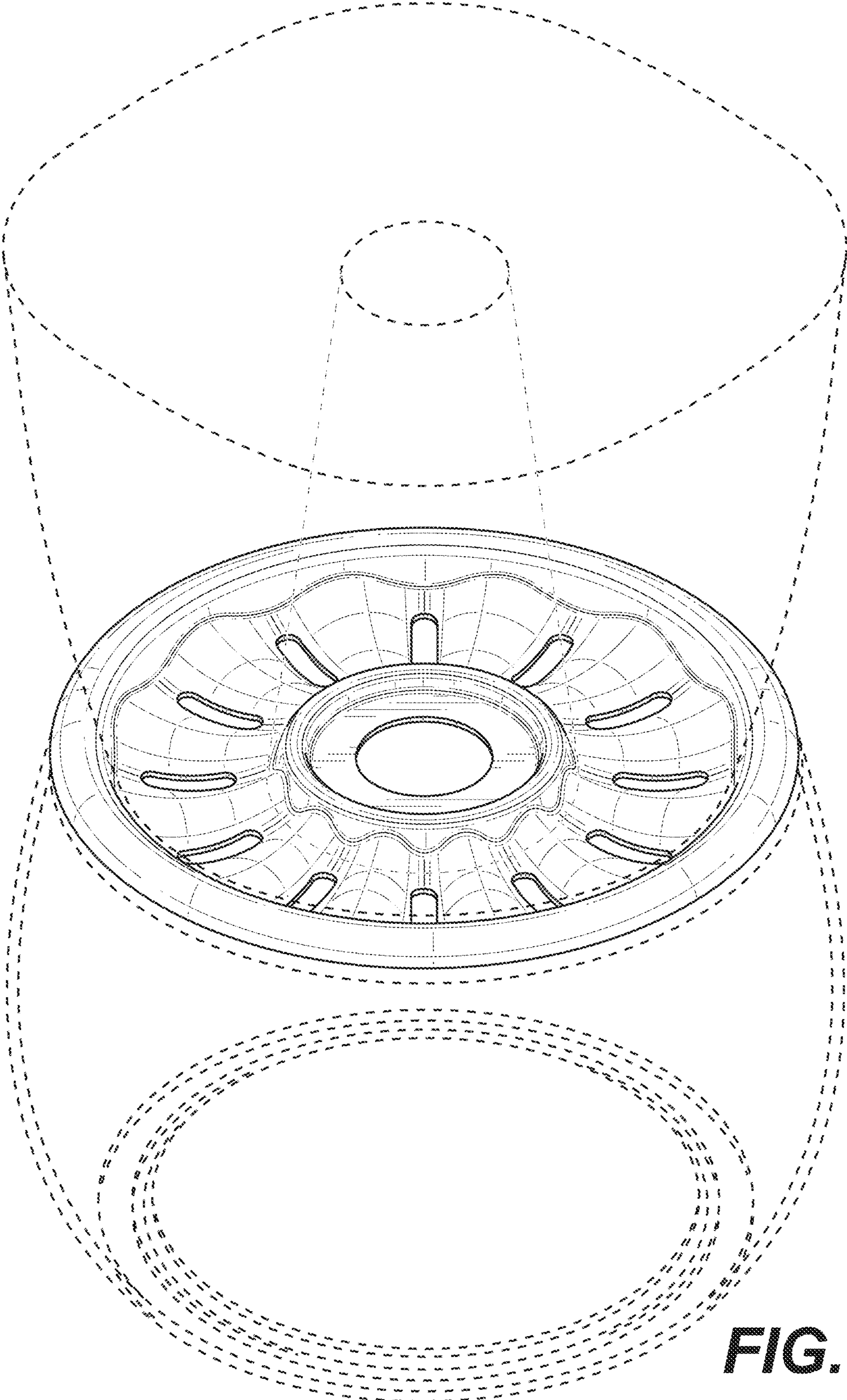


FIG. 10