



US00D989990S

(12) **United States Design Patent** (10) **Patent No.:** **US D989,990 S**
Shaffer et al. (45) **Date of Patent:** **** Jun. 20, 2023**

(54) **BEAM**
(71) Applicant: **Worthington Armstrong Venture**,
Malvern, PA (US)
(72) Inventors: **Nicholas Shaffer**, Norristown, PA (US);
Yu Lin, Blue Bell, PA (US); **Joshua L.**
Neal, Phoenixville, PA (US); **Jason**
Robbins, East Earl, PA (US); **Dustin**
Hostetter, Palmyra, PA (US)

D718,883 S * 12/2014 Thrush D25/124
D751,734 S * 3/2016 Allen D25/125
D752,774 S * 3/2016 Van Der Woerd D25/125
D767,793 S * 9/2016 Libreiro D25/125
D767,794 S * 9/2016 Libreiro D25/125
D771,277 S * 11/2016 McCue D25/125
D772,432 S * 11/2016 West F24S 25/613
D25/119
D780,329 S * 2/2017 Li D25/119
D829,349 S * 9/2018 Hynek D25/119
D950,776 S * 5/2022 Shaffer D25/126

* cited by examiner

(73) Assignee: **Worthington Armstrong Venture**,
Malvern, PA (US)

Primary Examiner — Samantha Q Lawrence

(**) Term: **15 Years**

(74) *Attorney, Agent, or Firm* — Stradley Ronon Stevens
& Young, LLC

(21) Appl. No.: **29/837,119**

(22) Filed: **May 2, 2022**

(57) **CLAIM**

Related U.S. Application Data

The ornamental design for a beam, as shown and described.

(62) Division of application No. 29/721,784, filed on Jan.
23, 2020, now Pat. No. Des. 950,776.

DESCRIPTION

(51) **LOC (14) Cl.** **25-01**
(52) **U.S. Cl.**

USPC **D25/133**

(58) **Field of Classification Search**
USPC D25/119, 125, 126, 127, 128, 129, 130,
D25/131, 132, 133, 134, 135, 136, 38,
D25/43; D8/354
CPC ... E04H 12/2261; E04H 12/08; E04H 12/085;
E04H 12/2269; E01F 9/696; E04C 3/32;
E04C 3/07; E04C 2003/046; F16B
2200/50; F16F 15/02; Y10T 403/7117;
E04B 9/068

FIG. 1 is a top right perspective view of the beam;
FIG. 2 is a top left perspective view of the beam;
FIG. 3 is a bottom left perspective view of the beam;
FIG. 4 is a top plan view of the beam;
FIG. 5 is a bottom plan view of the beam;
FIG. 6 is a right elevation view of the beam;
FIG. 7 is a left elevation view of the beam;
FIG. 8 is a front elevation view of the beam; and,
FIG. 9 is a rear elevation view of the beam.

See application file for complete search history.

Shade lines shown in the accompanying drawings of FIGS.
1-9 represent surface contour only and not texture, color
shading, or surface ornamentation. In addition, the beam is
shown with a symbolic break in its length. The appearance
of any portion of the article between the break lines forms
no part of the claimed design.

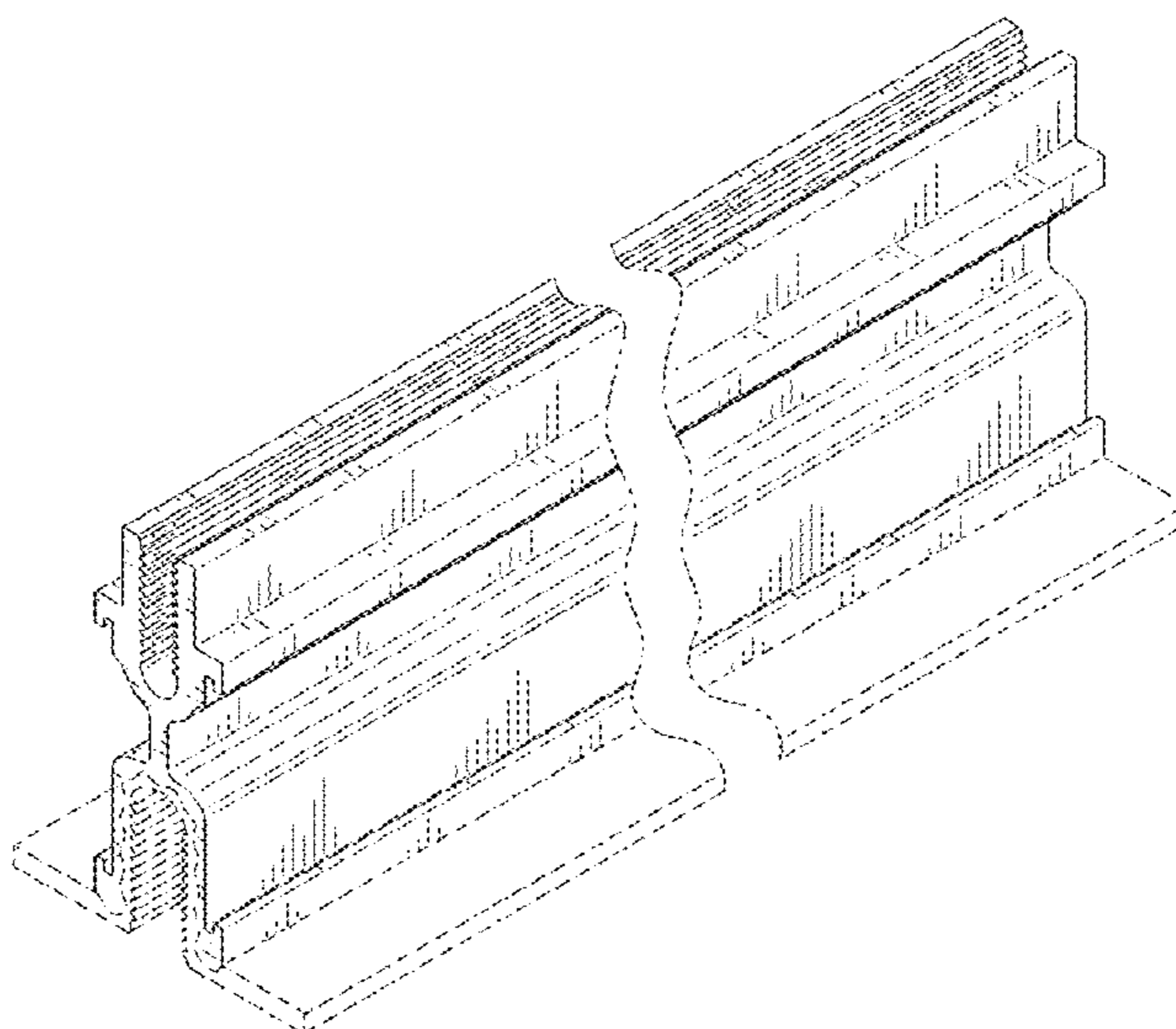
(56) **References Cited**

The broken lines shown in FIGS. **1-9** illustrate portions of
the beam that form no part of the claimed design.

U.S. PATENT DOCUMENTS

D253,131 S * 10/1979 Broadbent D25/125
D497,010 S * 10/2004 Brabeck D25/119

1 Claim, 8 Drawing Sheets



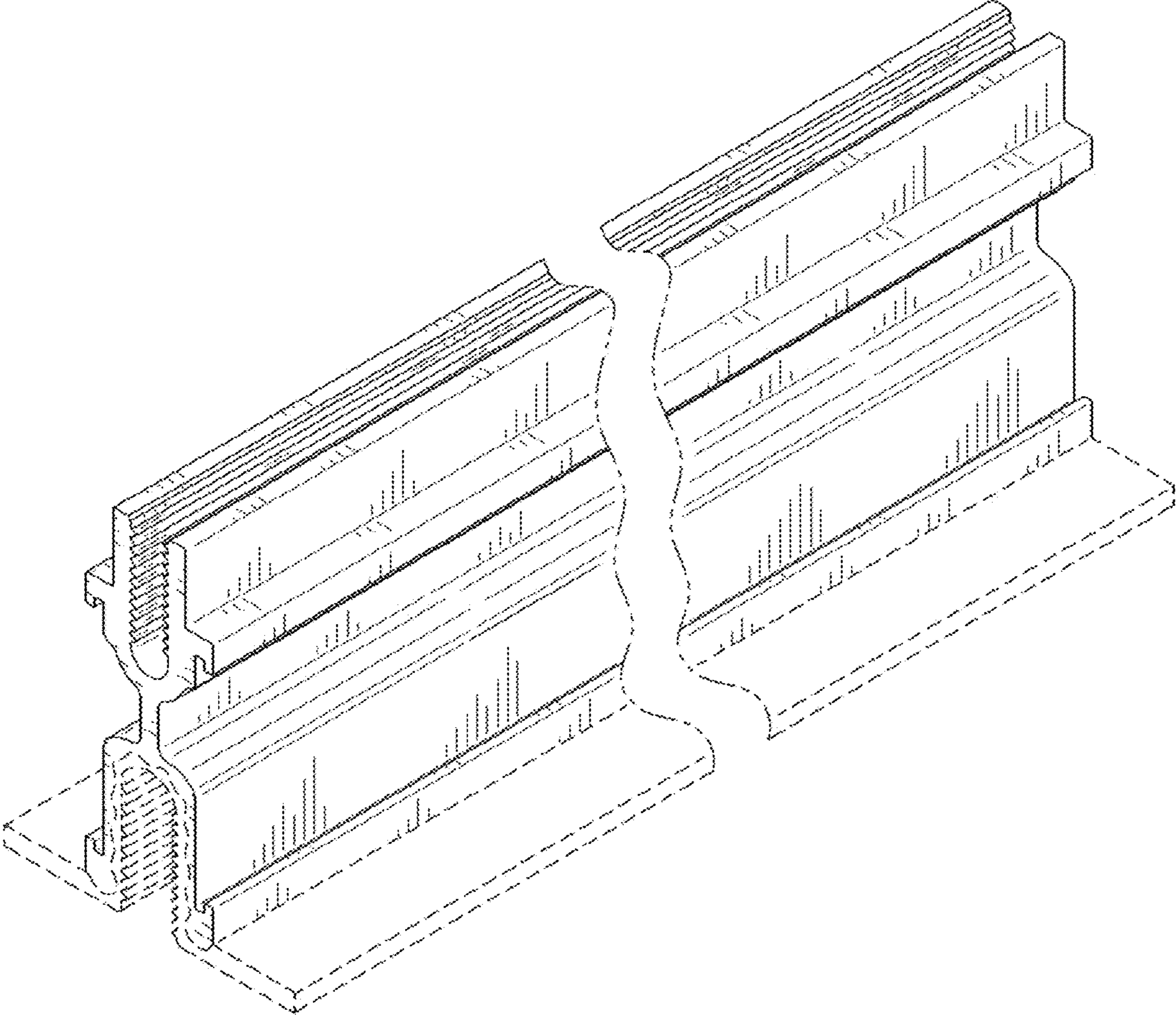


FIG. 1

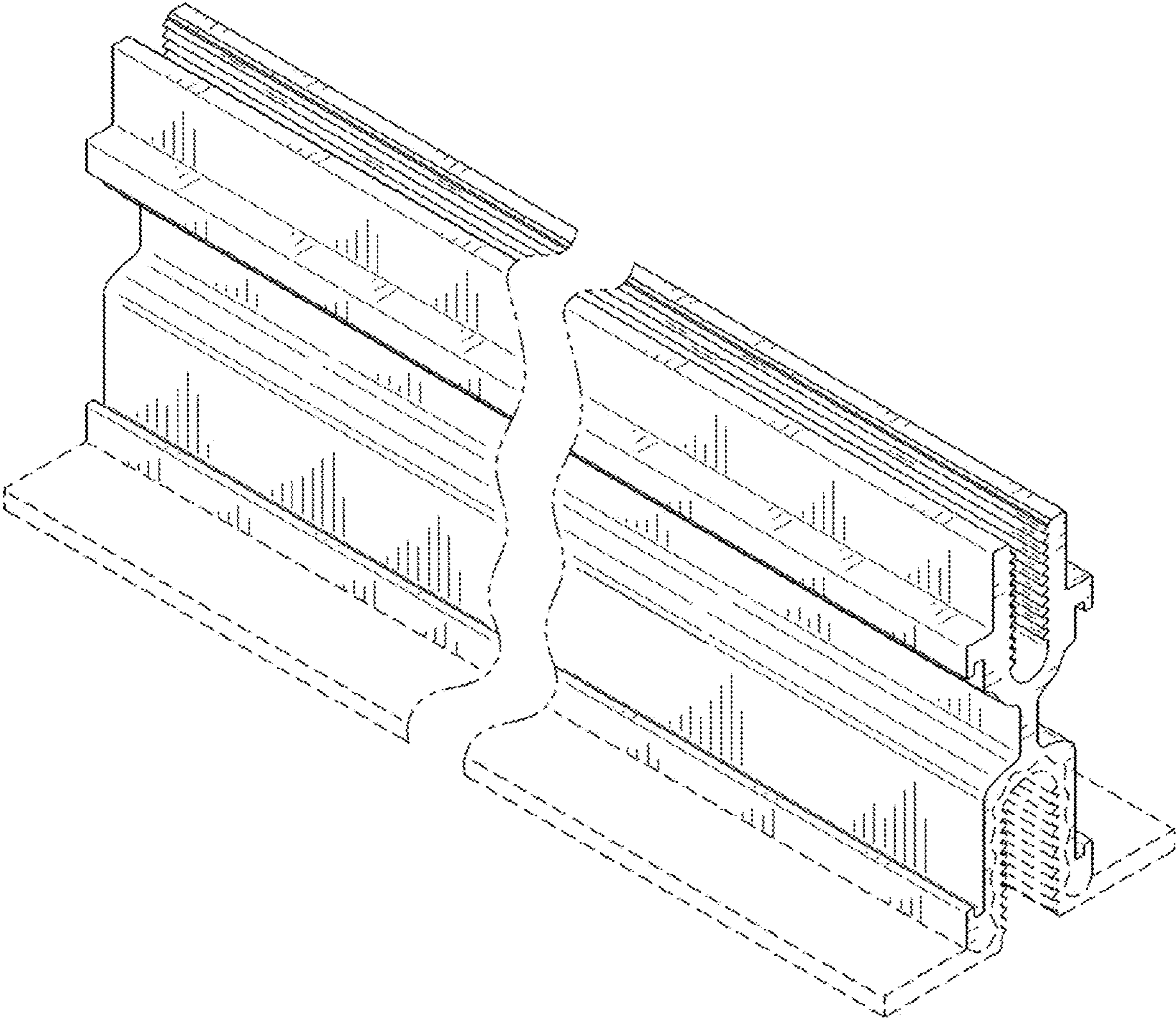


FIG. 2

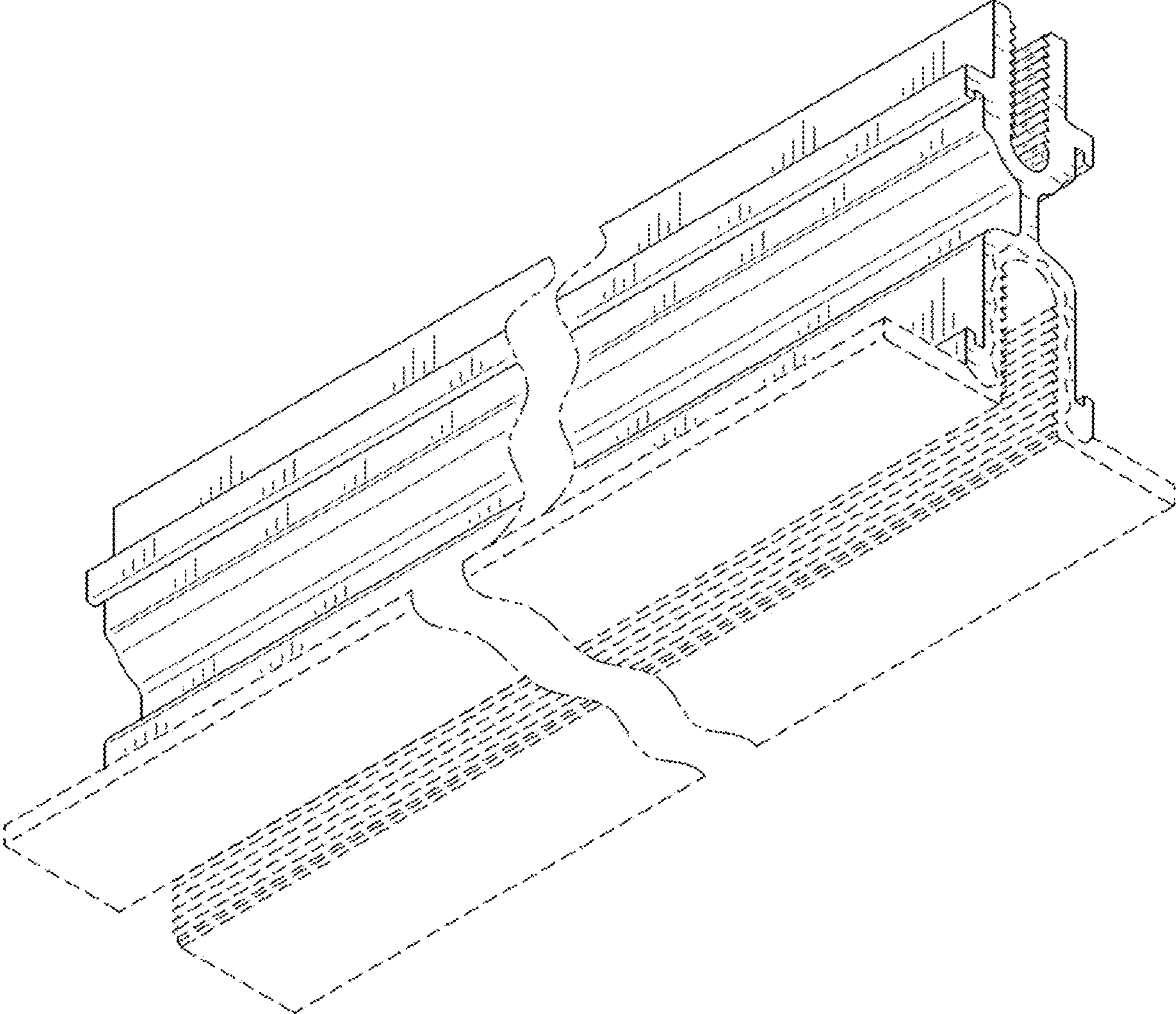


FIG. 3

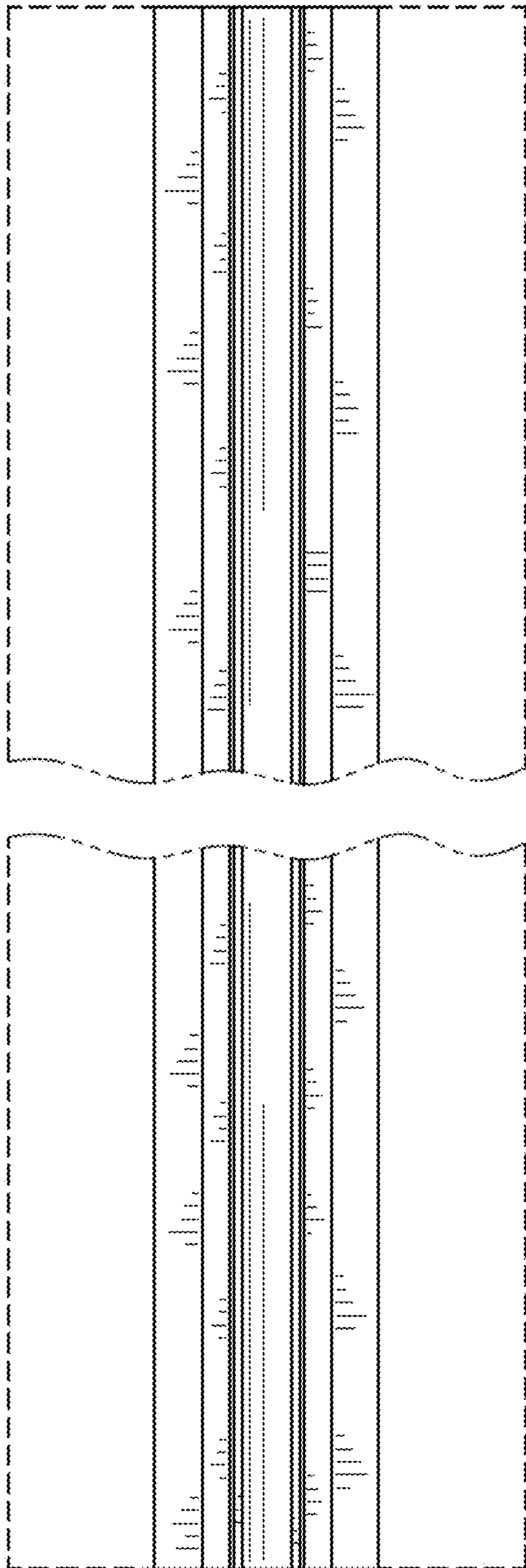


FIG. 4

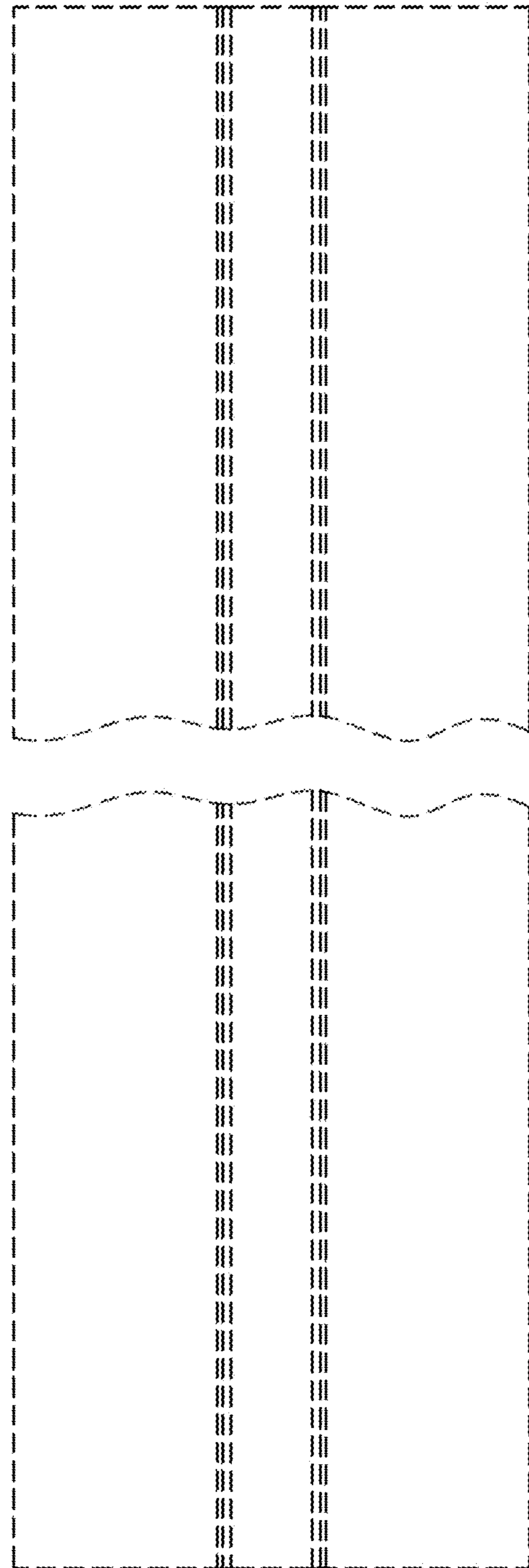


FIG. 5

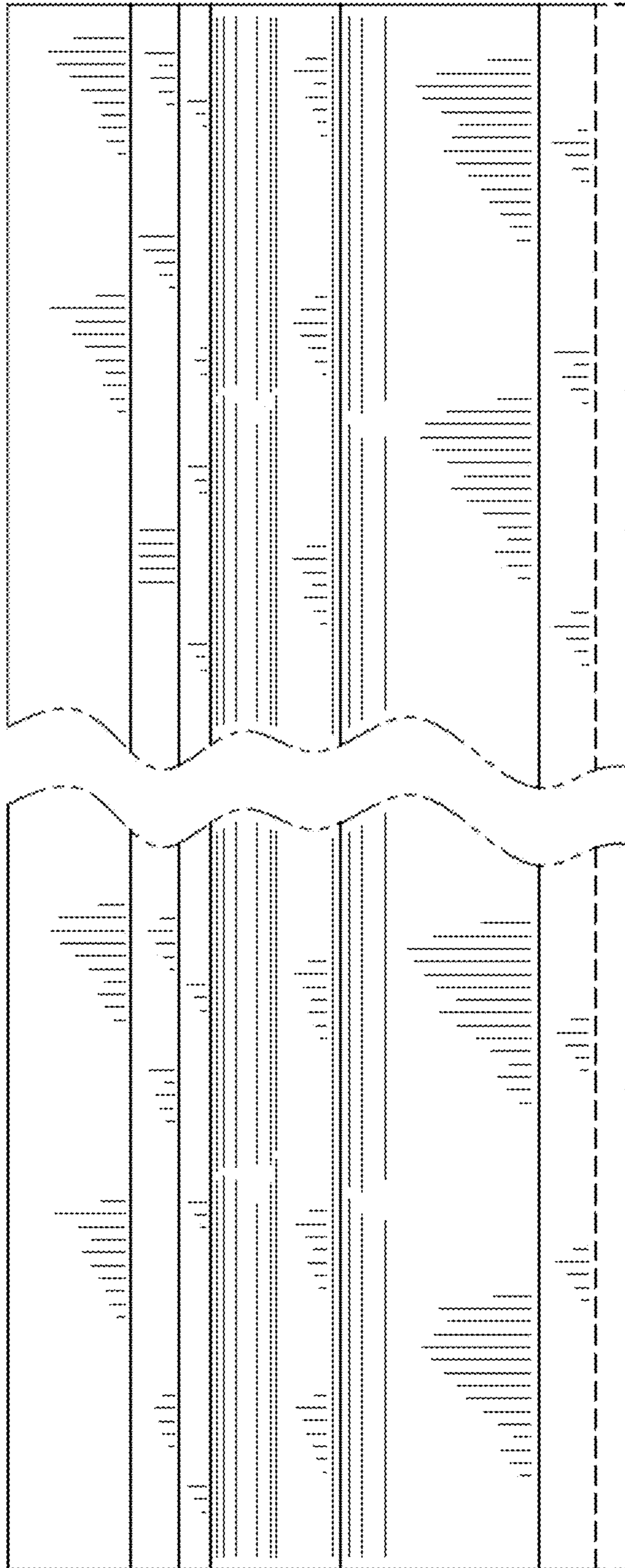


FIG. 6

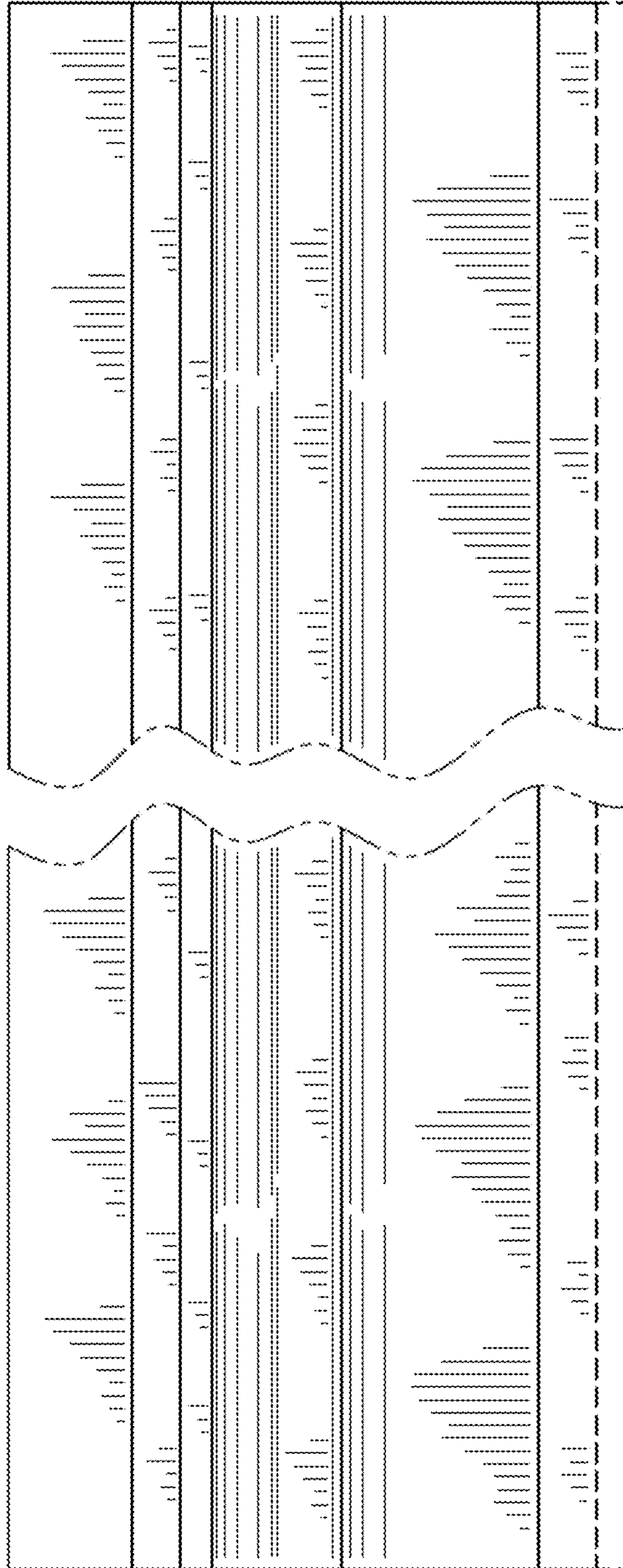


FIG. 7

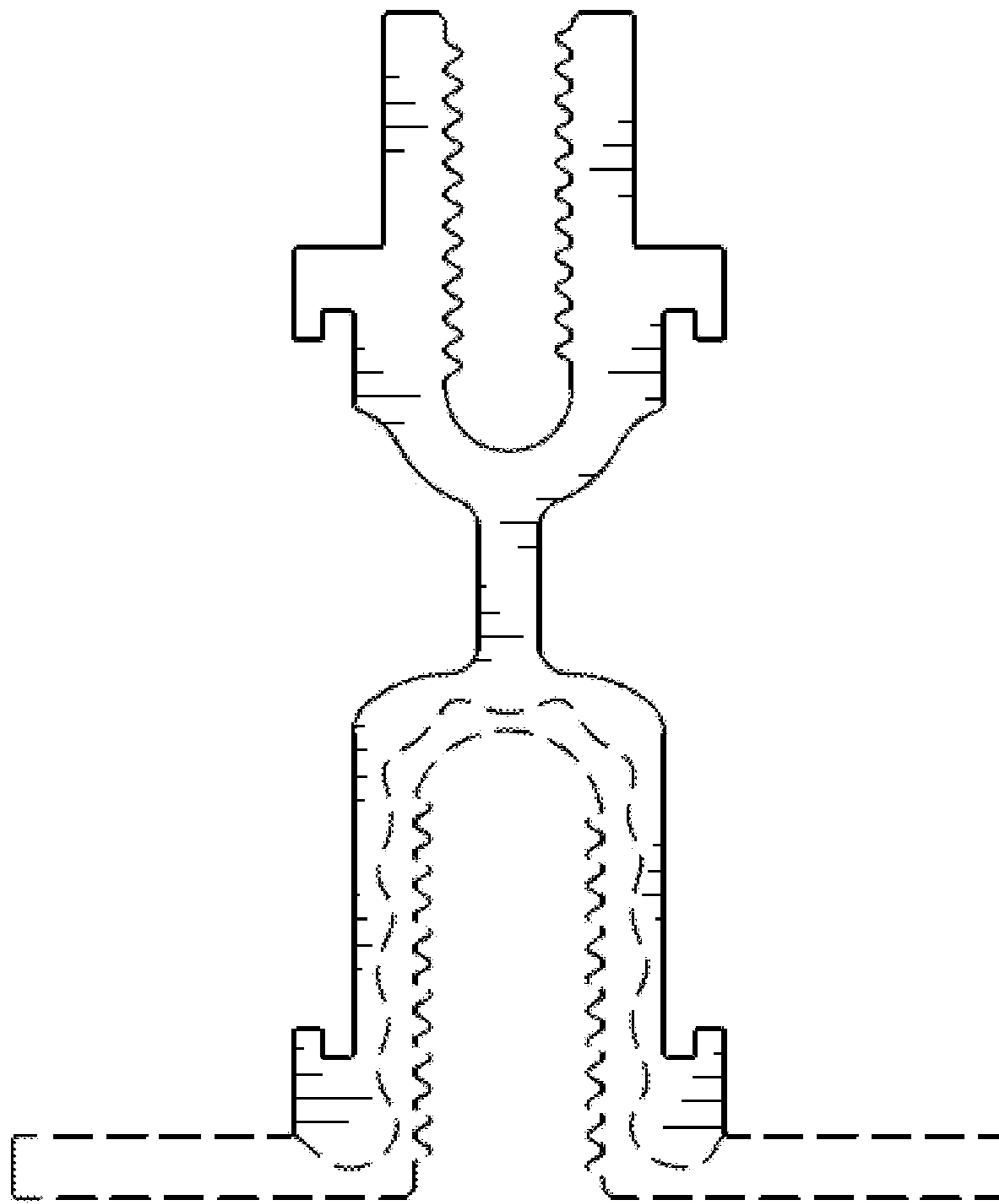


FIG. 8

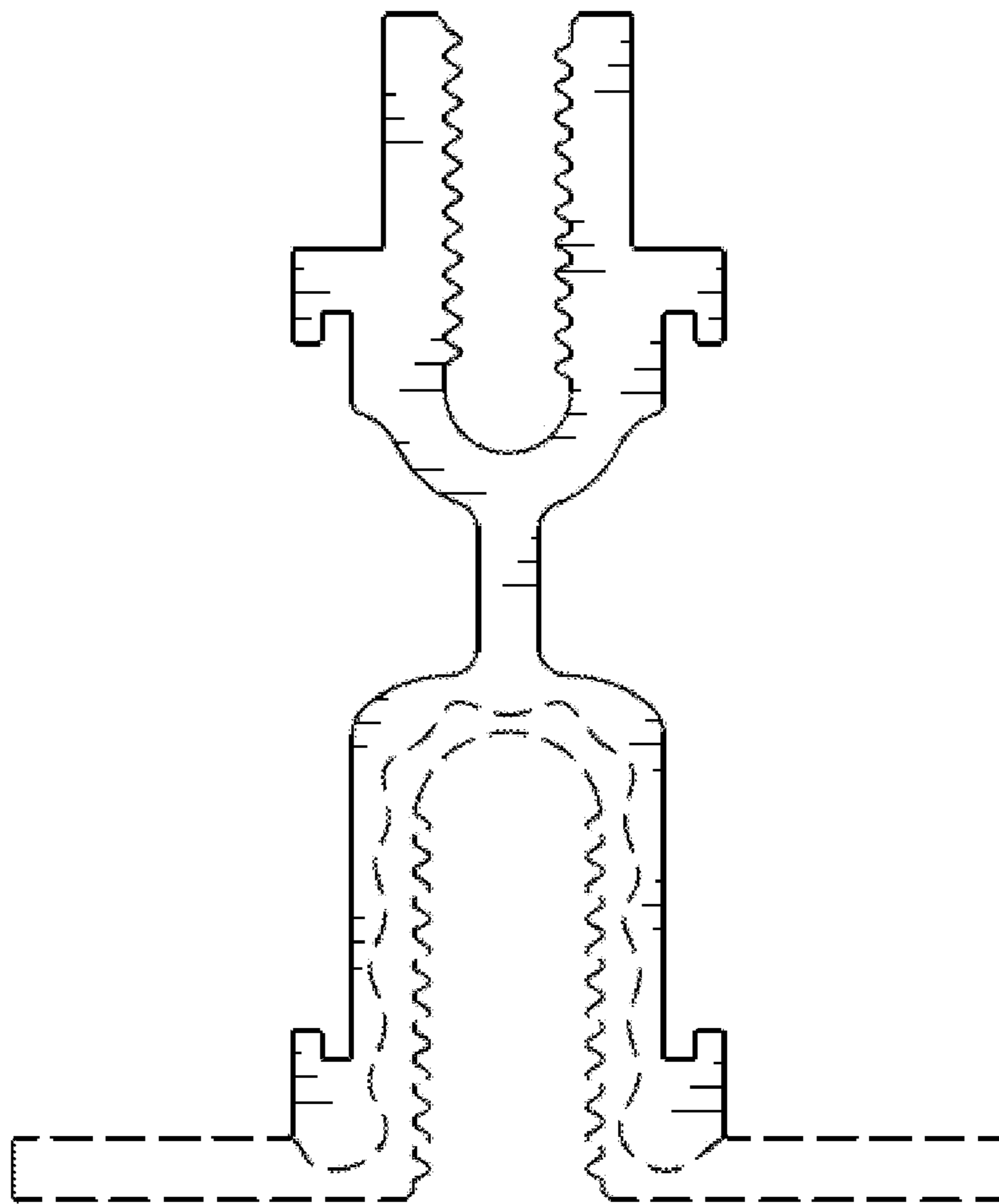


FIG. 9