



US00D989987S

(12) **United States Design Patent**  
**Budnik**

(10) **Patent No.:** **US D989,987 S**  
(45) **Date of Patent:** **\*\* Jun. 20, 2023**

(54) **CONCRETE BLOCK**

FOREIGN PATENT DOCUMENTS

(71) Applicant: **Besser Company**, Alpena, MI (US)

AP D00240-0001 \* 9/2010  
CN 304119262 \* 4/2017  
KR 300415776.0000 \* 6/2006

(72) Inventor: **Brian Thomas Budnik**, Alpena, MI (US)

OTHER PUBLICATIONS

(73) Assignee: **Besser Company**, Alpena, MI (US)

CMU2016—web <https://besser.com/wp-content/uploads/2017/07/CMU2016-web.pdf> Jul. 2017 (Year: 2017).\*

(\*\*) Term: **15 Years**

\* cited by examiner

(21) Appl. No.: **29/785,661**

*Primary Examiner* — Leanne Was-Englehart

(22) Filed: **May 26, 2021**

(51) **LOC (14) Cl.** ..... **25-01**

(52) **U.S. Cl.**  
USPC ..... **D25/114**

(57) **CLAIM**

(58) **Field of Classification Search**  
USPC ..... D25/112–118  
CPC ..... E04B 2002/0228; E04B 2002/0206; E04B  
2/18

The ornamental design for a concrete block, as shown and described.

See application file for complete search history.

**DESCRIPTION**

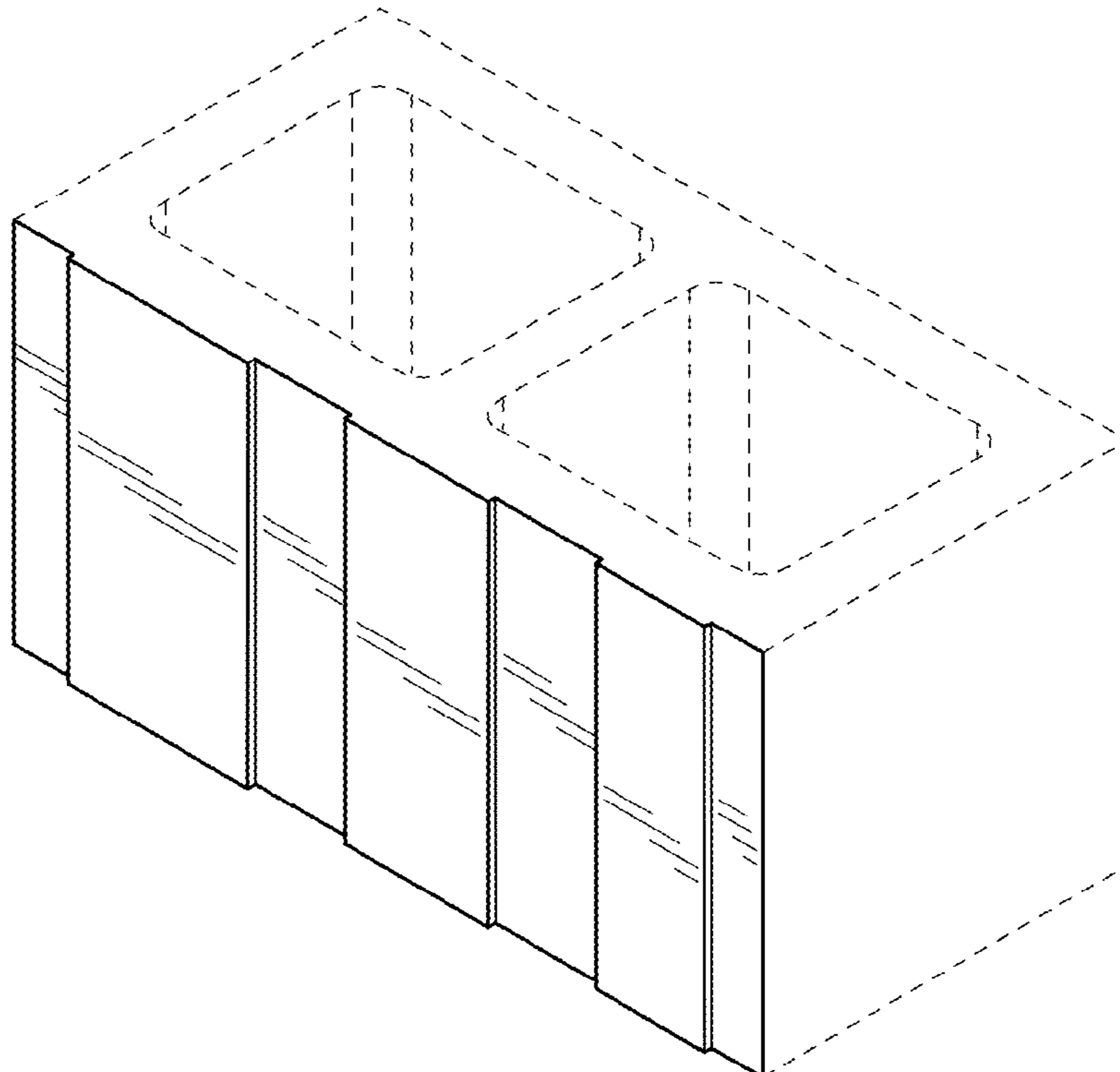
(56) **References Cited**

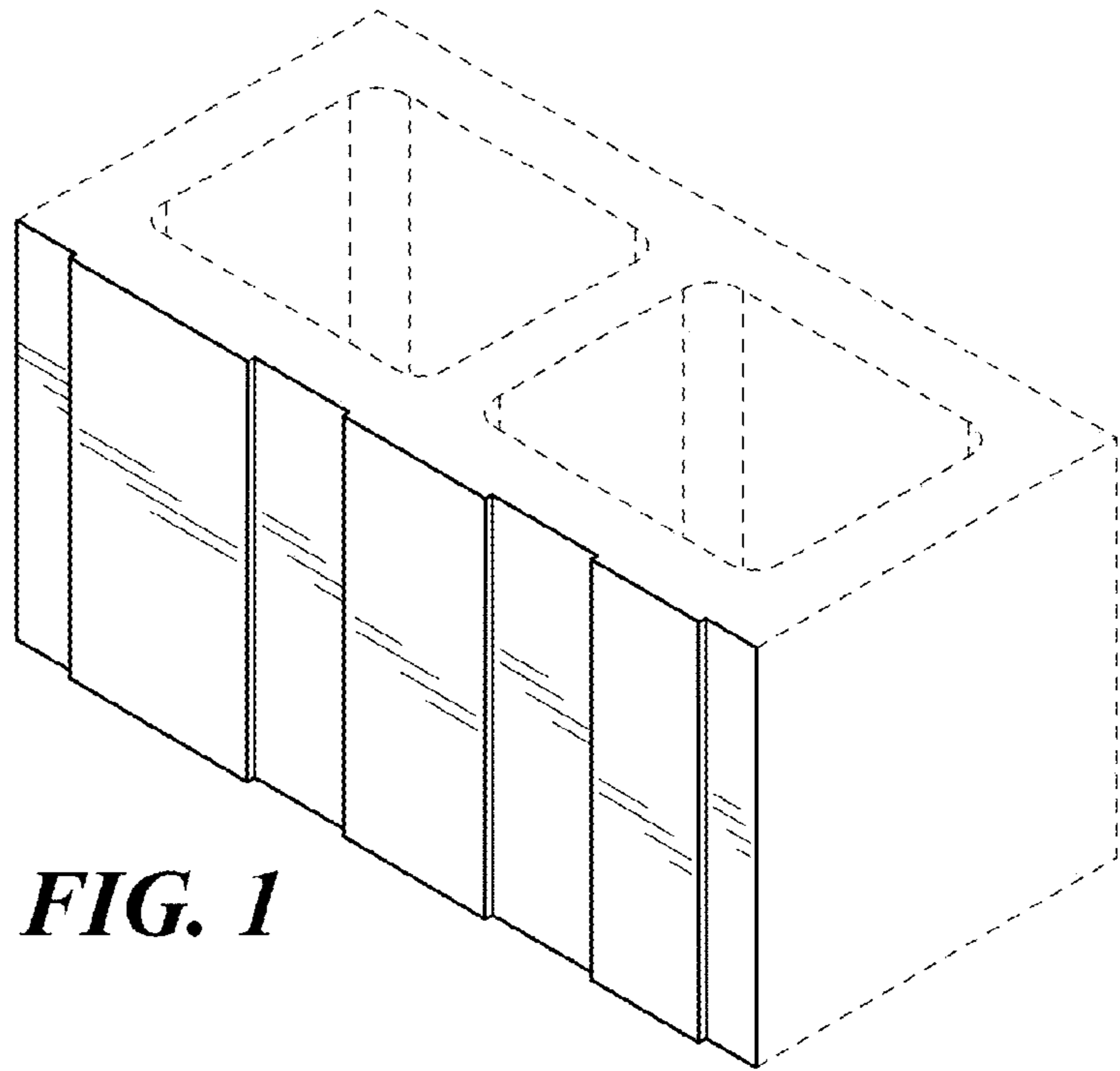
U.S. PATENT DOCUMENTS

D340,775 S	10/1993	Sauve	
D368,313 S *	3/1996	Schulz, Jr. ....	D25/118
D448,857 S *	10/2001	Staten .....	D25/113
D510,443 S *	10/2005	Von Langsdorff .....	D25/112
D629,919 S *	12/2010	Meyer .....	D25/113
D827,156 S	8/2018	Rossi	
2011/0247289 A1 *	10/2011	Schmidt .....	E04B 2/16 52/561
2017/0268226 A1 *	9/2017	Graniglia .....	E04B 2/18

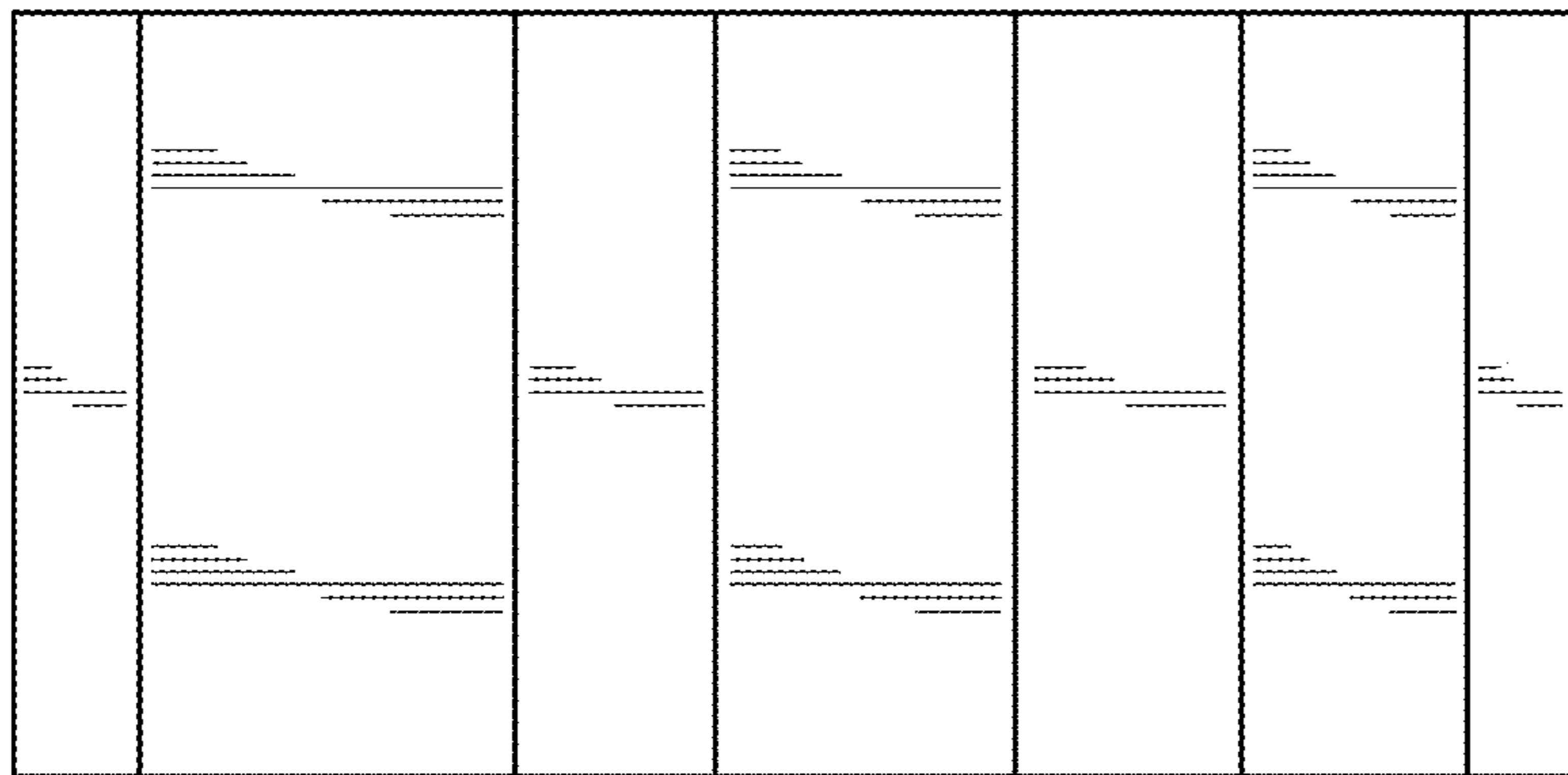
FIG. 1 is a perspective front view of a concrete block;  
FIG. 2 is a front view thereof;  
FIG. 3 is a right sideview thereof;  
FIG. 4 is a left side view thereof;  
FIG. 5 is a back view thereof;  
FIG. 6 is a top view thereof; and,  
FIG. 7 is a bottom view thereof.  
The broken lines depict portions of the concrete block that form no part of the claimed design.

**1 Claim, 2 Drawing Sheets**

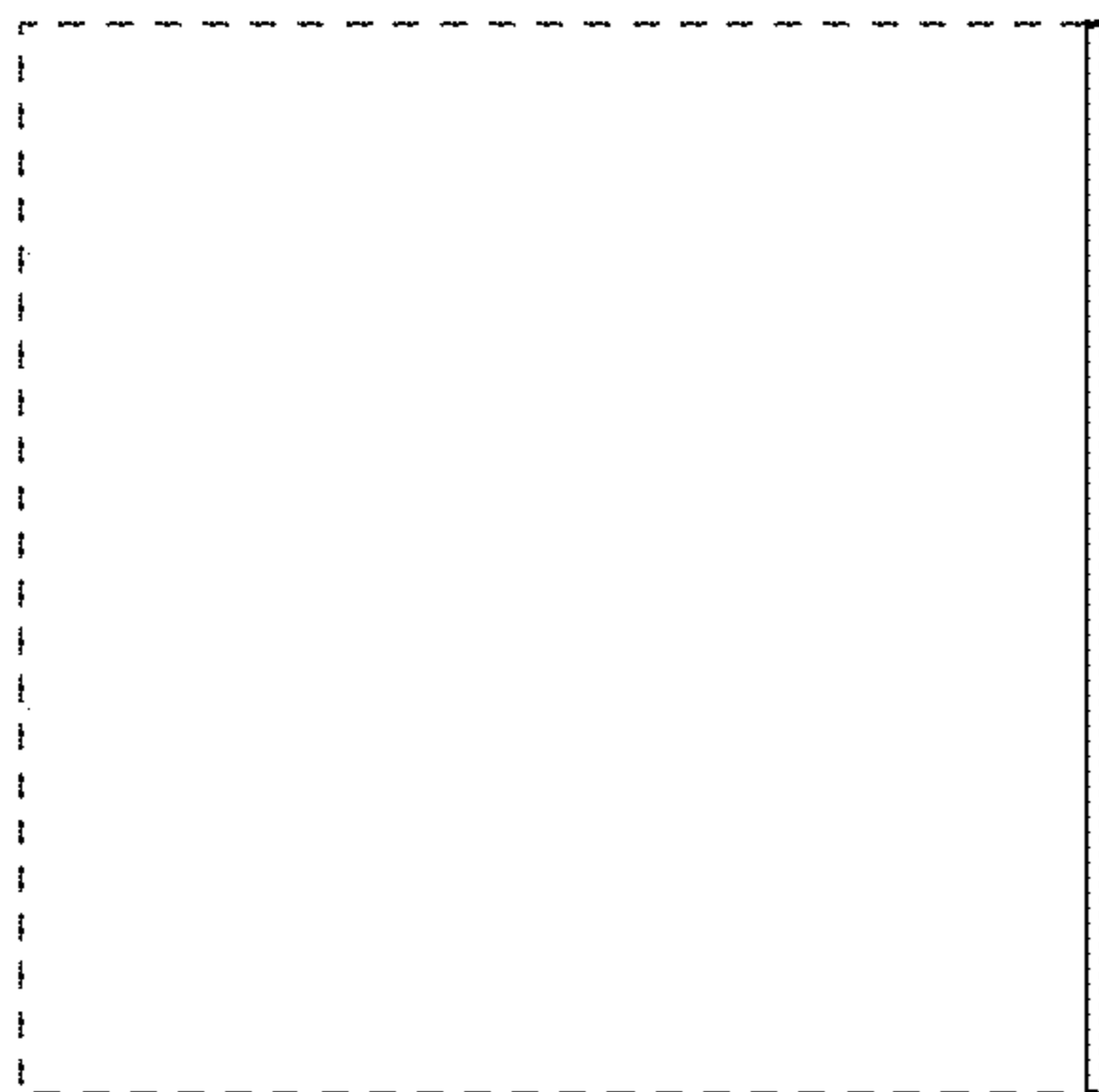




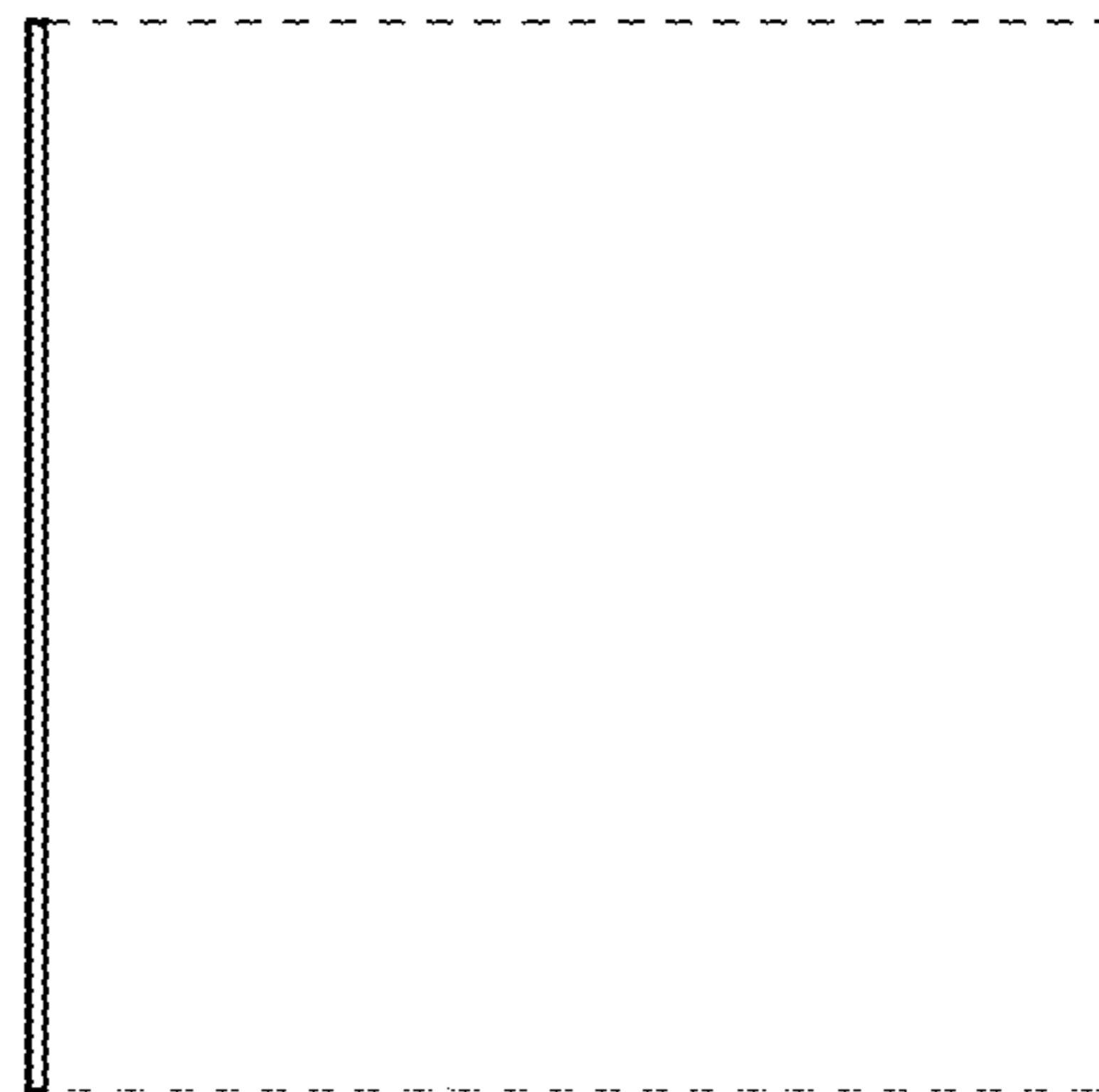
**FIG. 1**



**FIG. 2**



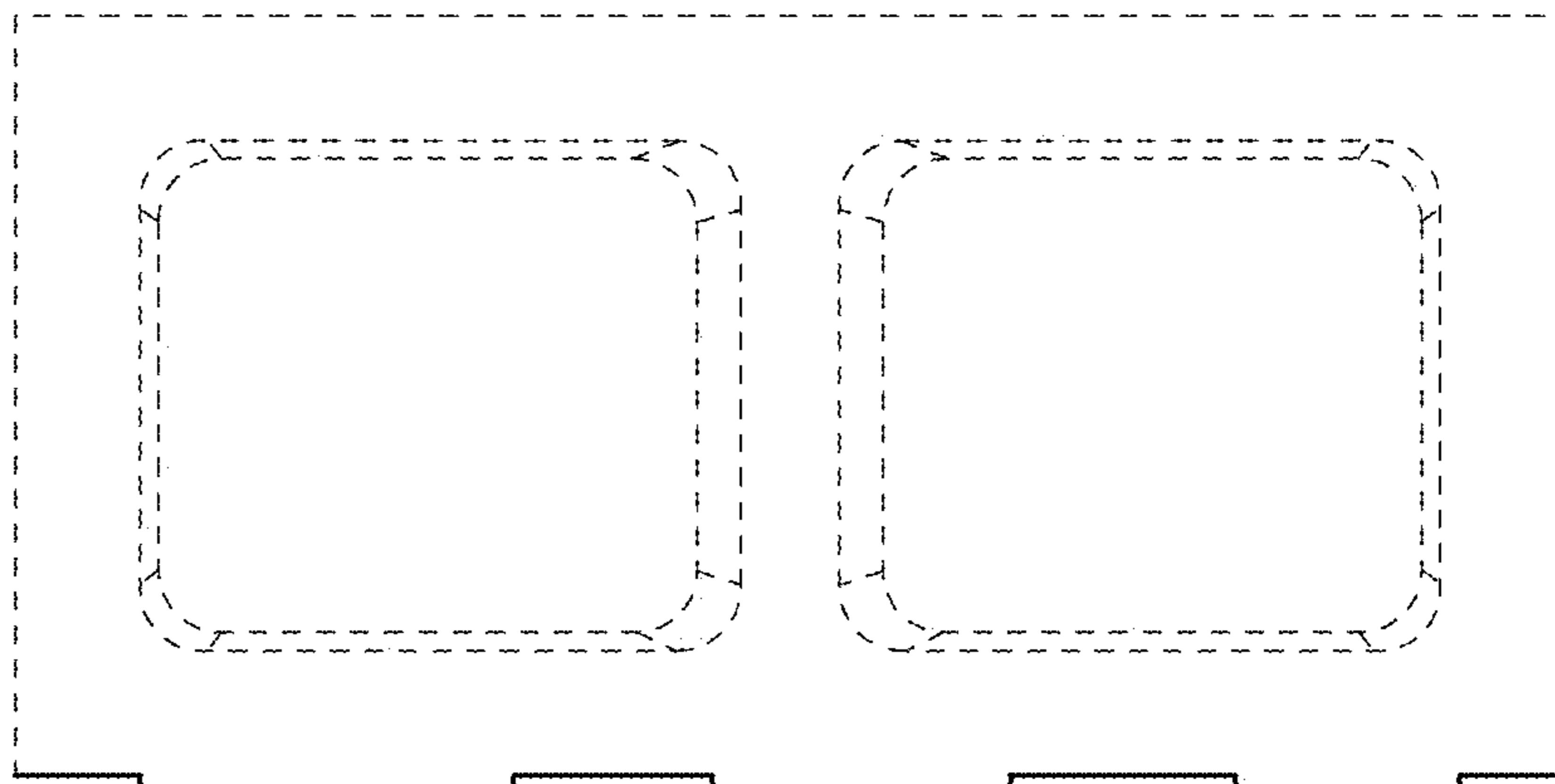
**FIG. 3**



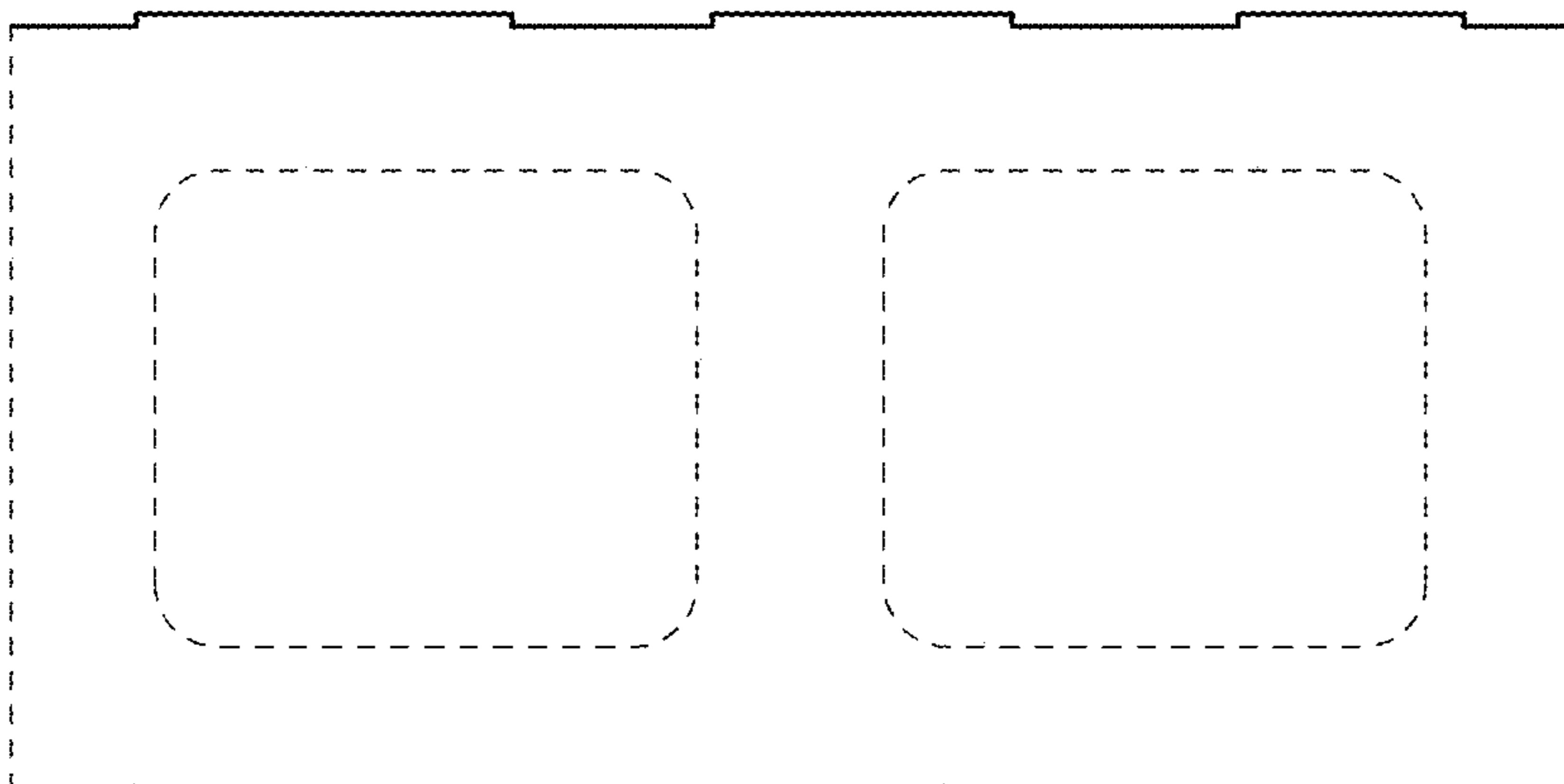
**FIG. 4**



**FIG. 5**



**FIG. 6**



**FIG. 7**