



US00D989986S

(12) **United States Design Patent**
Morales

(10) **Patent No.:** **US D989,986 S**

(45) **Date of Patent:** **** Jun. 20, 2023**

- (54) **POOL LADDER SOCKET COVER**
- (71) Applicant: **Hugo E Morales**, Lanoka Harbor, NJ (US)
- (72) Inventor: **Hugo E Morales**, Lanoka Harbor, NJ (US)
- (**) Term: **15 Years**
- (21) Appl. No.: **29/808,051**
- (22) Filed: **Sep. 16, 2021**
- (51) **LOC (14) Cl.** **25-04**
- (52) **U.S. Cl.**
USPC **D25/68**
- (58) **Field of Classification Search**
USPC D3/201; D8/25, 29, 349, 354, 382;
D12/317; D23/260-261; D25/8, 62-69;
182/48, 70, 106, 108; 4/496, 501, 511
CPC ... B25B 13/06; B25B 13/065; B25B 23/0035;
B67C 2011/20; B63B 17/00; B65D
41/02; B65D 41/023; B65D 41/005;
E04H 12/2253; E04H 12/2246; E04H
17/20; E04H 2017/006
See application file for complete search history.

- 5,087,005 A * 2/1992 Holoff A47G 23/0225
248/205.8
 - D341,145 S * 11/1993 Esworthy D15/143
 - D351,013 S * 9/1994 Mathison D23/200
 - D393,081 S * 3/1998 Belli D25/68
 - 6,015,139 A * 1/2000 Weber E04H 12/2261
52/298
 - D464,739 S * 10/2002 Belli D25/68
- (Continued)

OTHER PUBLICATIONS

Safron ASC-W Pool Ladder and Railing Anchor Socket, posted Sep. 29, 2015 [online], [retrieved Mar. 8, 2023]. Retrieved from internet, https://www.amazon.com/Covers-Anchor-Sockets-units-White/dp/B00ZD7NPYS/ref=cm_cr_ar_p_d_product_top?ie=UTF8 (Year: 2015).*

Primary Examiner — T Chase Nelson
Assistant Examiner — Sydney Margaret Parsley
(74) *Attorney, Agent, or Firm* — Goldstein Law Offices, P.C.

(57) **CLAIM**

The ornamental design for a pool ladder socket cover, as shown and described.

DESCRIPTION

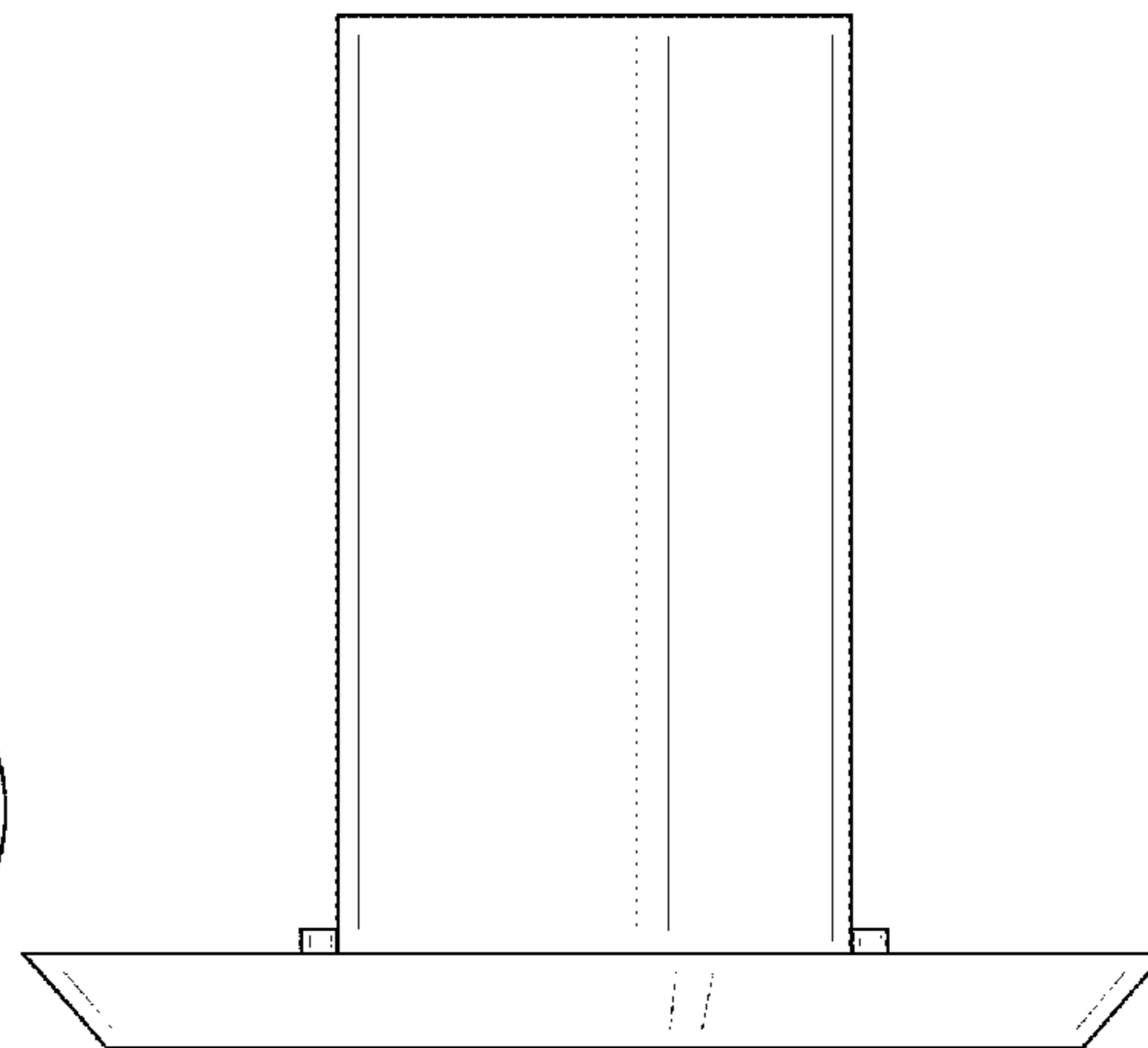
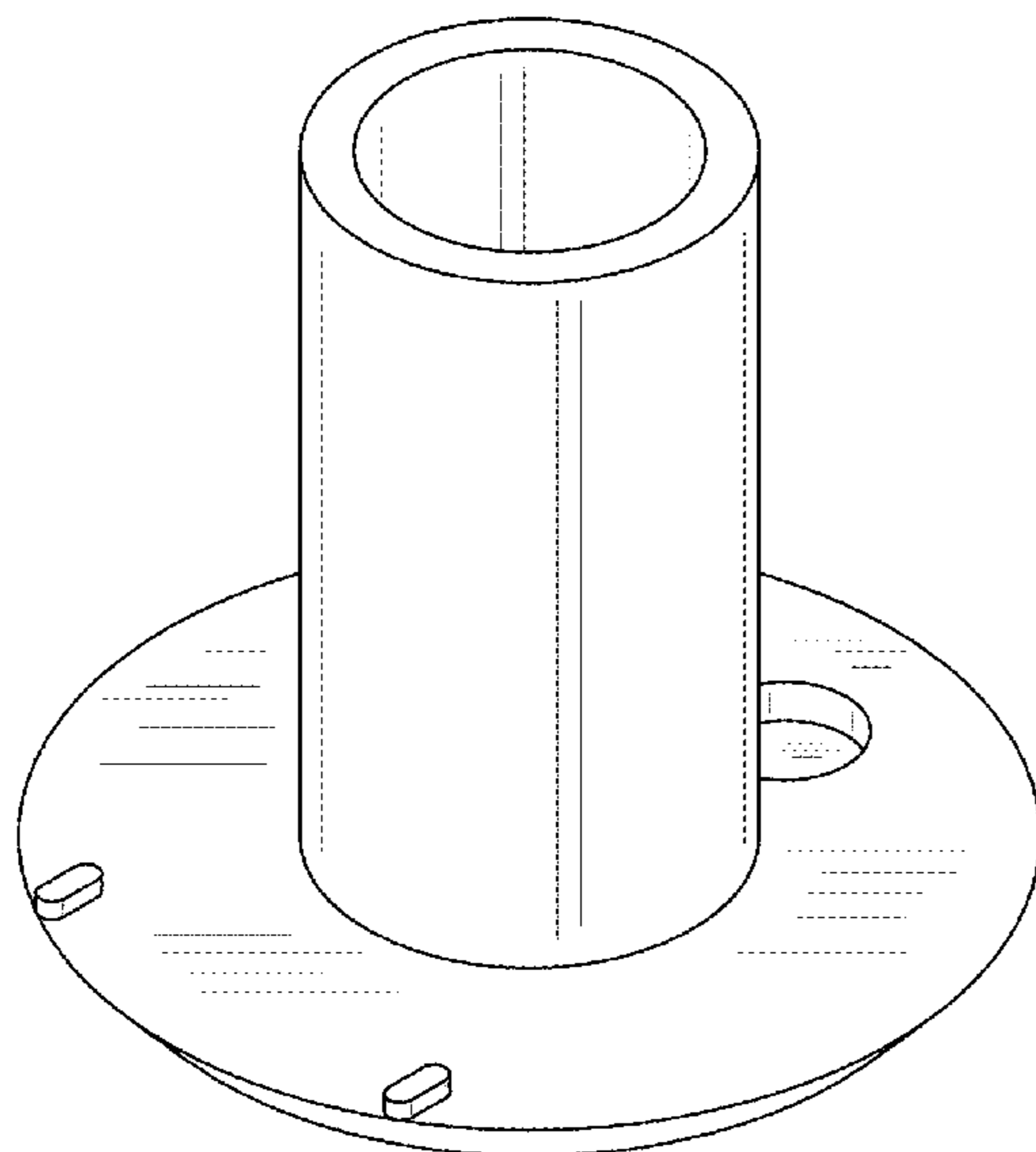
FIG. 1 is a perspective view of the pool ladder socket cover. FIG. 2 is a front elevational view of the pool ladder socket cover. FIG. 3 is a rear elevational view thereof. FIG. 4 is a top plan view thereof. FIG. 5 is a bottom plan view thereof. FIG. 6 is a left side elevational view thereof. FIG. 7 is a right side elevational view thereof. FIG. 8 is an alternate perspective view of the pool ladder socket cover; and, FIG. 9 is a second alternate perspective view of the pool ladder socket cover.

1 Claim, 5 Drawing Sheets

(56) **References Cited**

U.S. PATENT DOCUMENTS

- 507,720 A * 10/1893 Parker B65D 41/02
215/337
- D59,417 S * 10/1921 Graham D8/29
- D136,217 S * 8/1943 Lyons D8/368
- 2,549,404 A * 4/1951 Williams B65D 51/28
220/521
- D241,615 S * 9/1976 King D8/373
- 4,144,599 A * 3/1979 Cuschera A47K 1/14
4/286
- 4,431,166 A * 2/1984 Marshall B65F 1/141
D25/160
- D286,147 S * 10/1986 Carlson 220/761
- 5,040,251 A * 8/1991 Hanford



(56)

References Cited

U.S. PATENT DOCUMENTS

D508,571 S * 8/2005 Weiser D25/133
 D512,627 S * 12/2005 Okada D8/343
 7,055,807 B2 6/2006 Pesta
 7,146,657 B2 12/2006 Jahnke
 7,207,416 B1 4/2007 Parker
 D550,144 S * 9/2007 Hord D12/317
 D570,497 S * 6/2008 Foulke D25/68
 D593,843 S * 6/2009 Hutter, III D8/354
 D594,314 S * 6/2009 Hutter, III D8/354
 D651,709 S * 1/2012 Zeyfang D24/127
 D658,482 S * 5/2012 Pratt D8/349
 D672,479 S * 12/2012 Monaco D25/133
 D716,637 S * 11/2014 McDonald D8/354
 D756,200 S * 5/2016 McDonald D8/354
 D784,901 S * 4/2017 Tung D23/261
 D801,792 S * 11/2017 Hunt D8/376
 D802,033 S * 11/2017 Waterman D15/143
 D806,520 S * 1/2018 Krombein D8/354
 D835,506 S * 12/2018 Evans D9/439
 D840,056 S * 2/2019 Hazenberg D25/138
 D844,117 S * 3/2019 Kennison D23/260
 10,287,793 B1 5/2019 Anslem
 D855,425 S * 8/2019 Hogue D8/29
 D869,001 S * 12/2019 Sonneman D26/113
 D869,689 S * 12/2019 Sonneman D26/113
 D889,610 S * 7/2020 Kuna D23/260
 D896,402 S 9/2020 Geise
 D899,568 S * 10/2020 Ball D23/259
 10,927,563 B2 2/2021 Geise
 D914,242 S * 3/2021 Foy D25/68
 D916,248 S * 4/2021 Pettengill D21/680
 D919,022 S * 5/2021 Yang D8/14
 D923,442 S * 6/2021 Hsieh D9/447
 D935,910 S * 11/2021 Turk D10/65
 D941,456 S * 1/2022 Rahimi D9/439
 D943,416 S * 2/2022 Kim D9/447
 11,255,482 B1 * 2/2022 Zimmerman F16M 11/041
 D946,093 S * 3/2022 Park E04G 21/3252

11,311,766 B2 * 4/2022 Park A63B 21/16
 D8/354
 D959,266 S * 8/2022 Hume D8/349
 D961,345 S * 8/2022 Huang D8/14
 D962,146 S * 8/2022 Pelini D8/354
 D971,118 S * 11/2022 Pelini D25/68
 D971,705 S * 12/2022 Bublitz D25/68
 D974,501 S * 1/2023 Slater A47K 1/14
 D21/680
 D976,680 S * 1/2023 Zabelka D15/143
 D977,972 S * 2/2023 Palmer D8/368
 2005/0103808 A1 * 5/2005 Zschiedrich F16B 47/00
 222/326
 2006/0027720 A1 * 2/2006 Wu F16B 47/00
 248/205.5
 2008/0011917 A1 * 1/2008 Adams F16B 47/00
 248/205.5
 2008/0035599 A1 * 2/2008 Seibel B65D 39/16
 215/296
 2008/0209829 A1 9/2008 Lucas
 2008/0210833 A1 * 9/2008 Wang F16B 47/00
 248/205.7
 2009/0211411 A1 * 8/2009 Guile B25B 23/08
 81/441
 2010/0140437 A1 * 6/2010 Orban F16B 47/00
 248/363
 2010/0181458 A1 * 7/2010 Liu F16B 47/00
 248/363
 2012/0104217 A1 * 5/2012 Liu F16B 47/00
 248/363
 2013/0091994 A1 * 4/2013 Lin B25B 23/0021
 81/177.85
 2014/0053330 A1 2/2014 Butera
 2014/0353274 A1 * 12/2014 Benson B65D 39/0076
 215/44
 2017/0175391 A1 * 6/2017 Hunt E04G 21/3252
 2020/0240397 A1 * 7/2020 Hsieh F03G 3/08
 2022/0016748 A1 * 1/2022 Sakamoto B25B 11/005
 D25/68

* cited by examiner

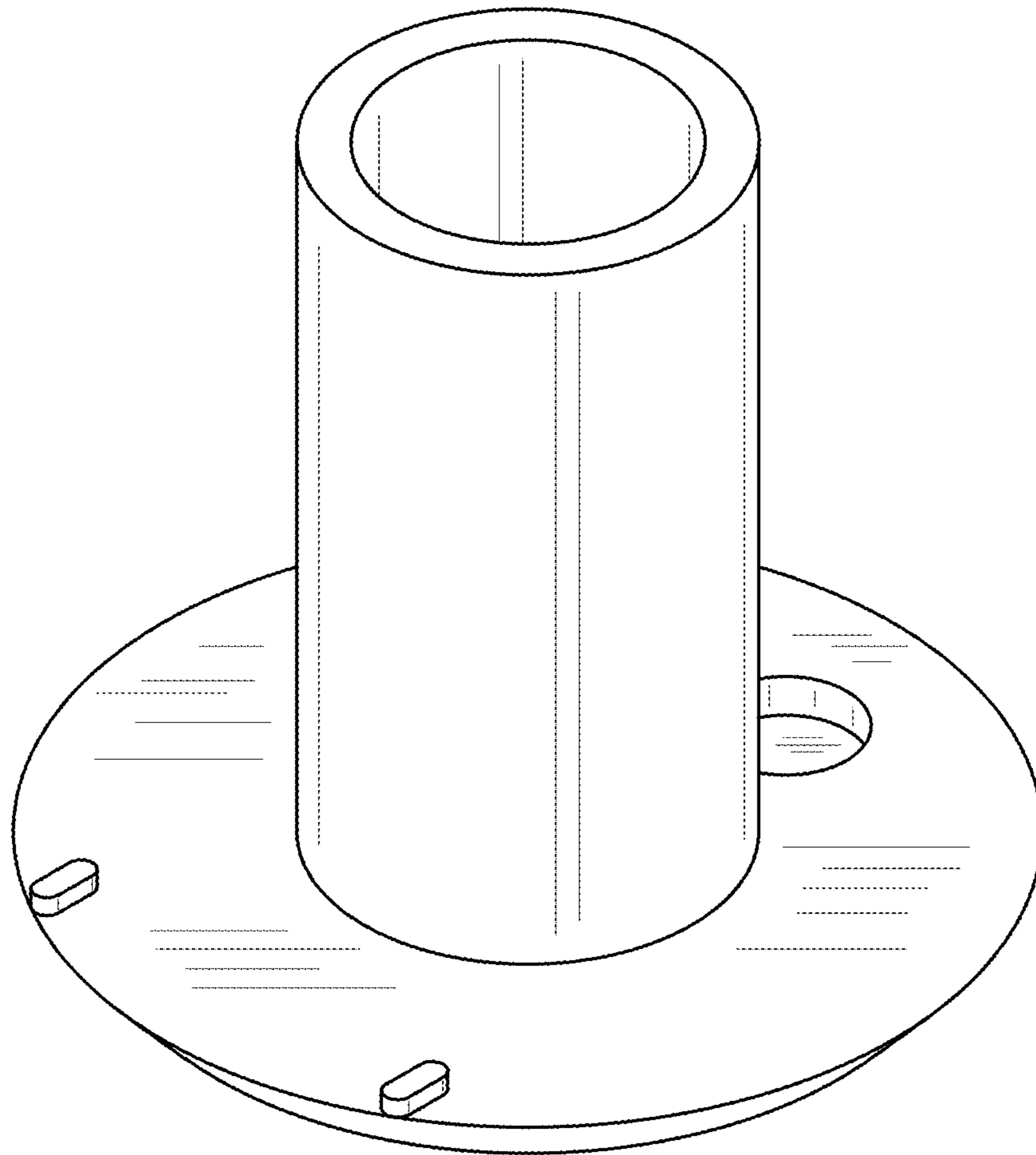


FIG. 1

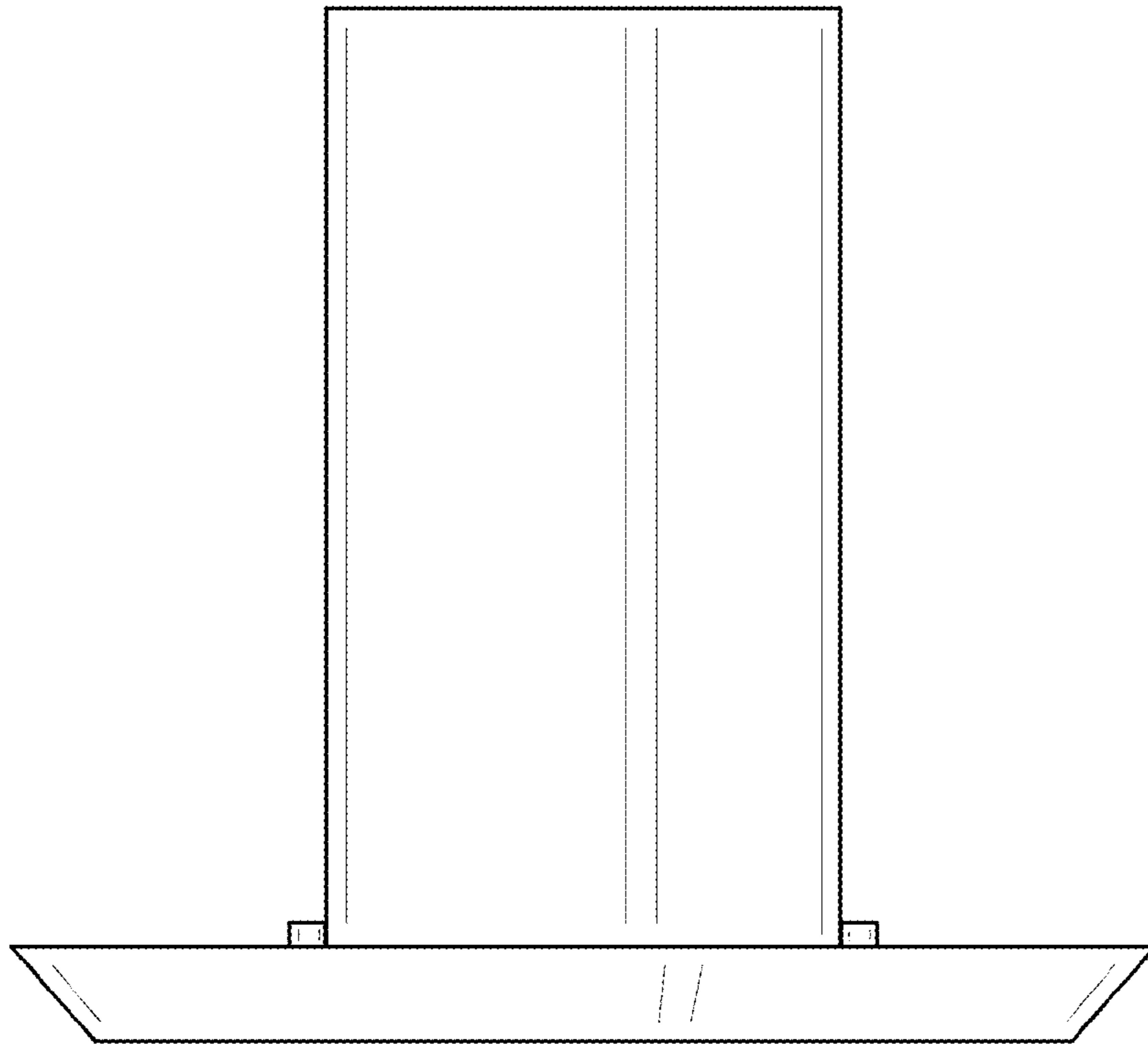


FIG. 2

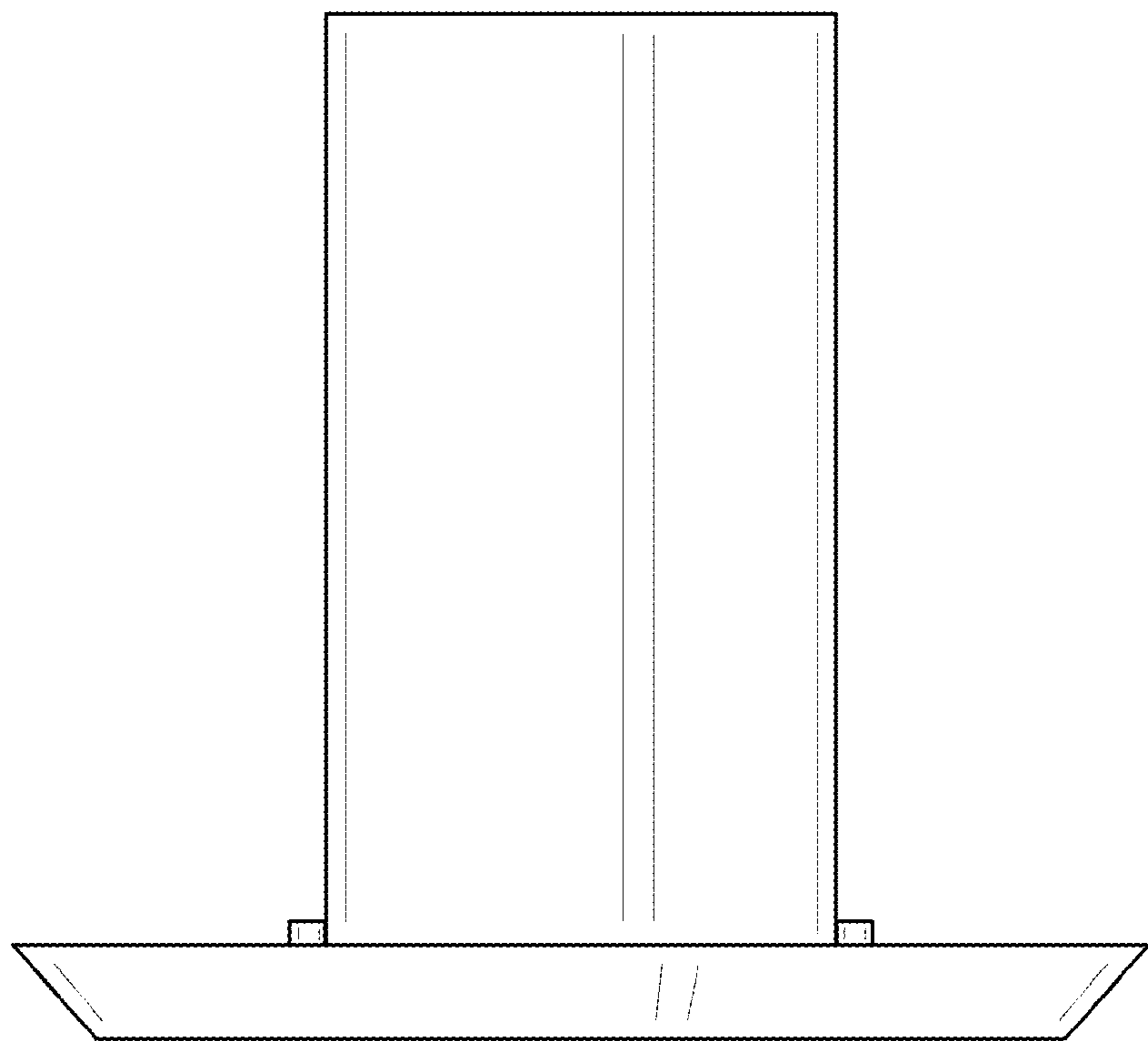


FIG. 3

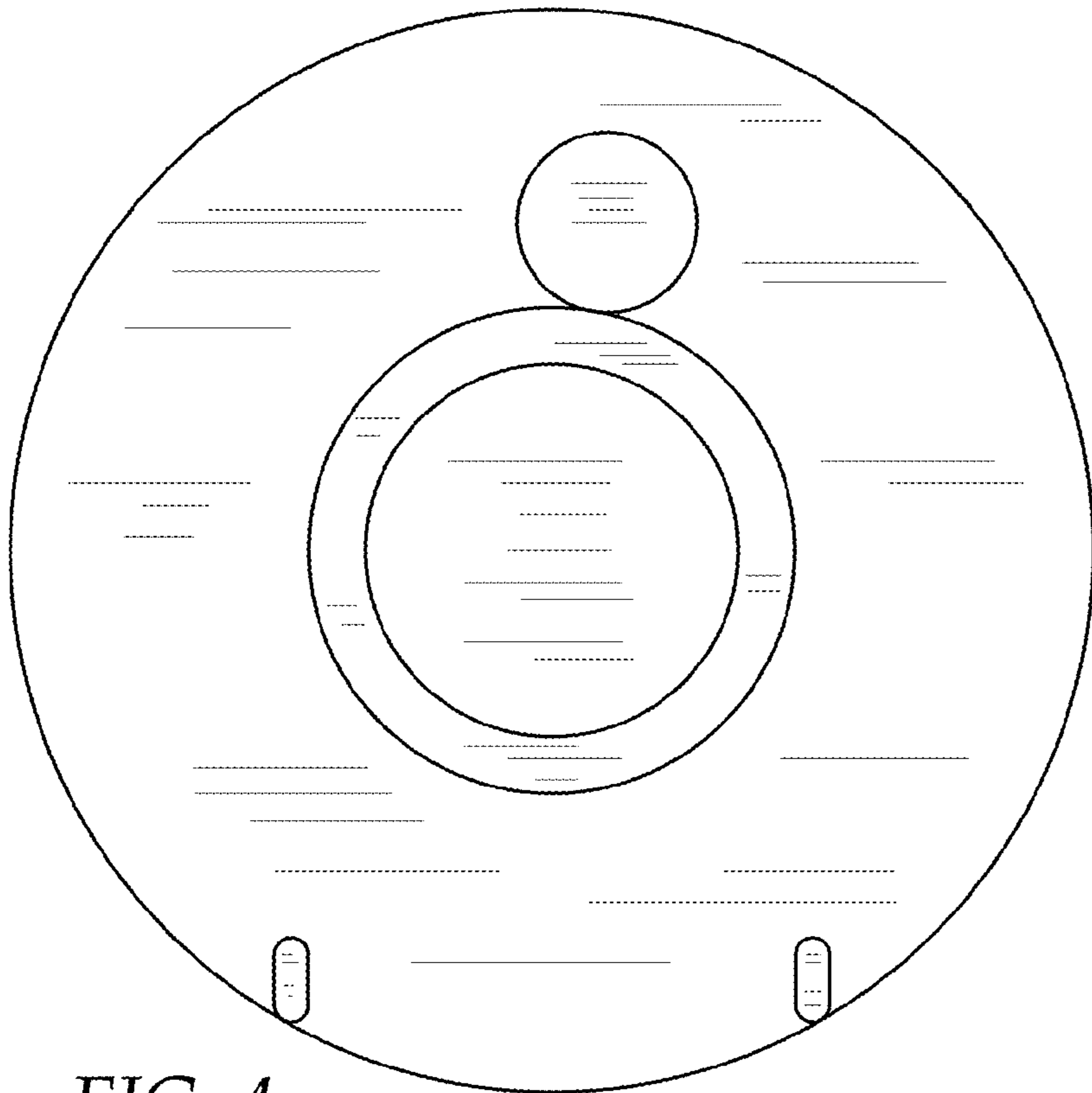


FIG. 4

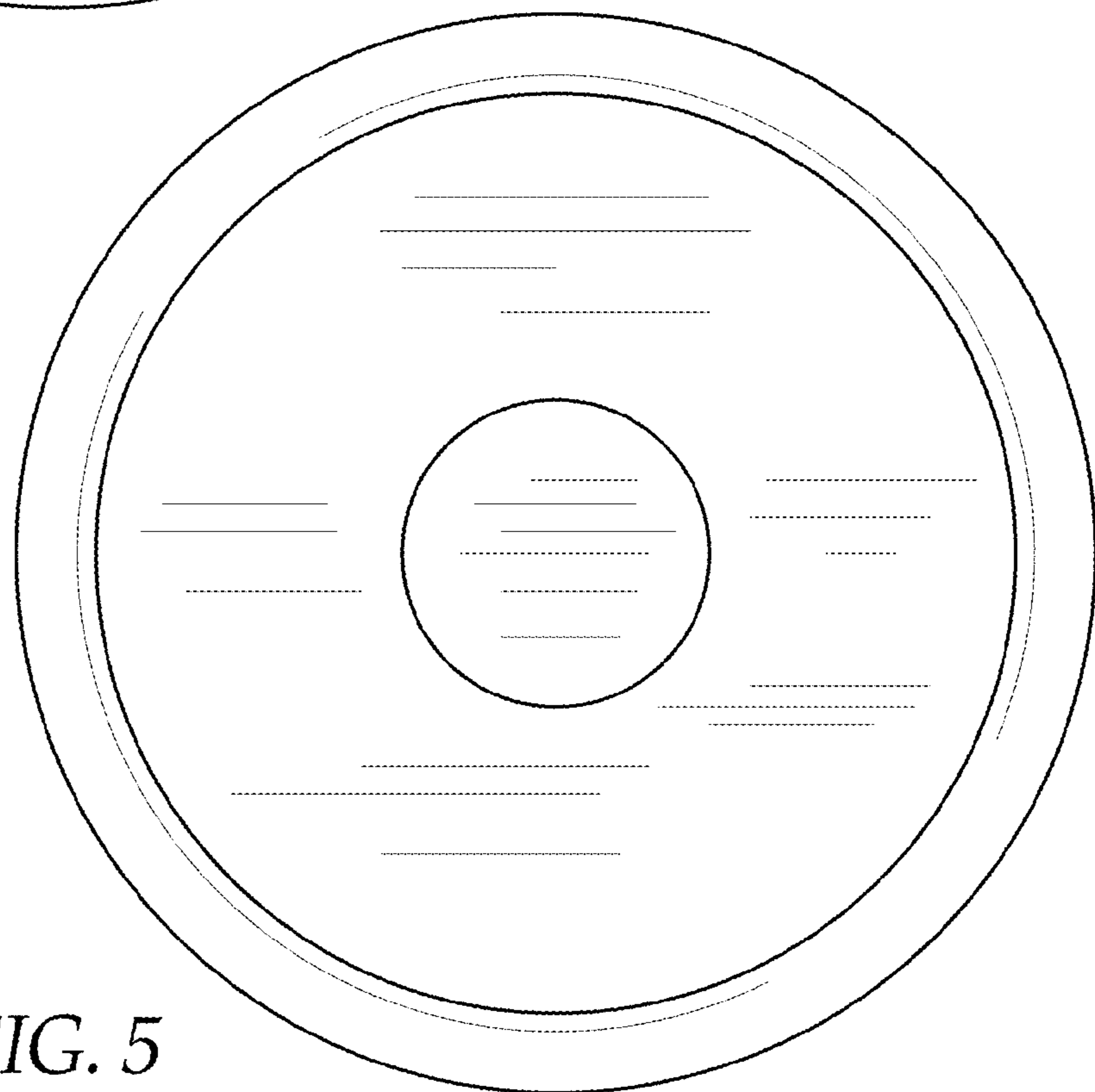


FIG. 5

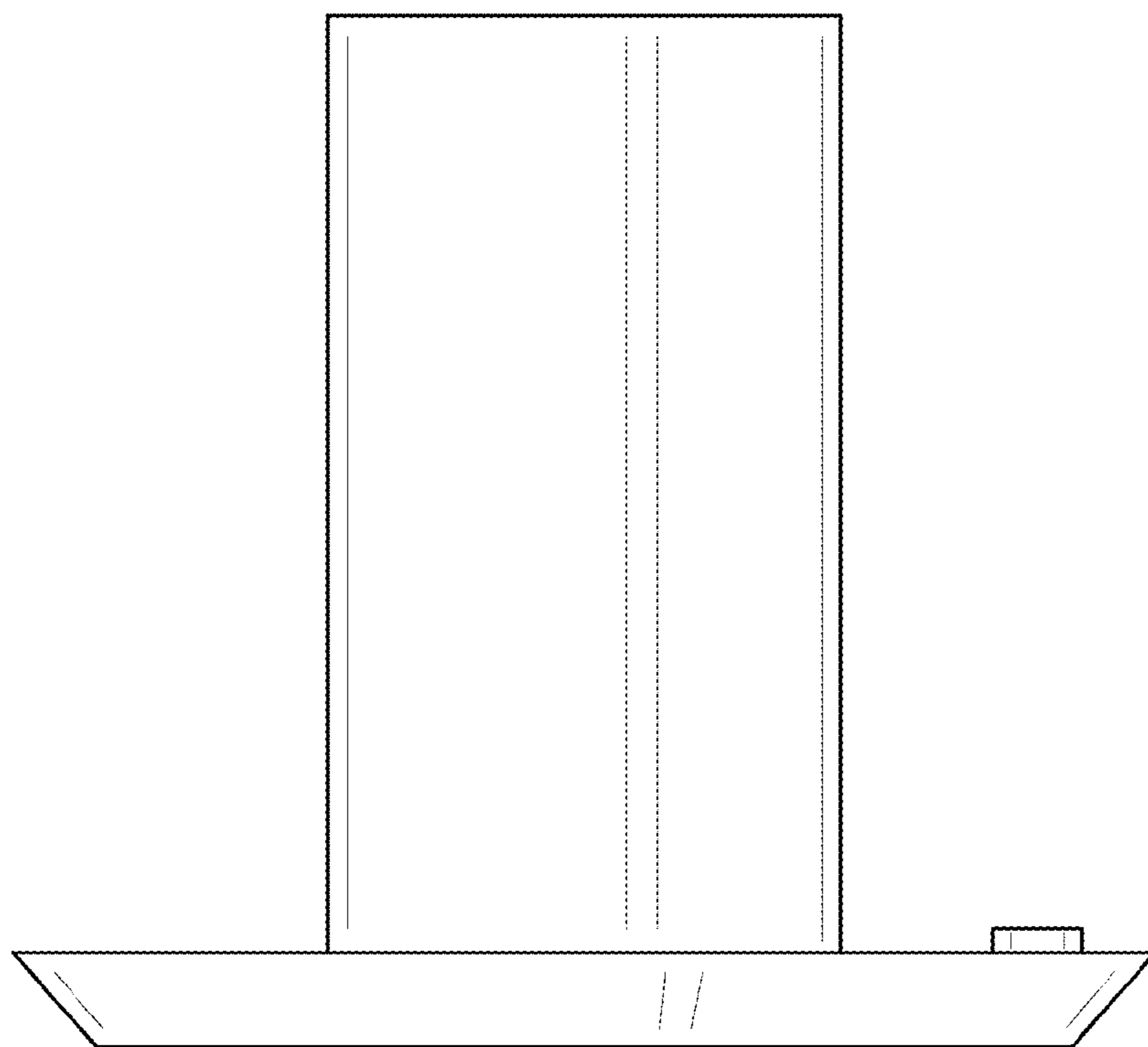


FIG. 6

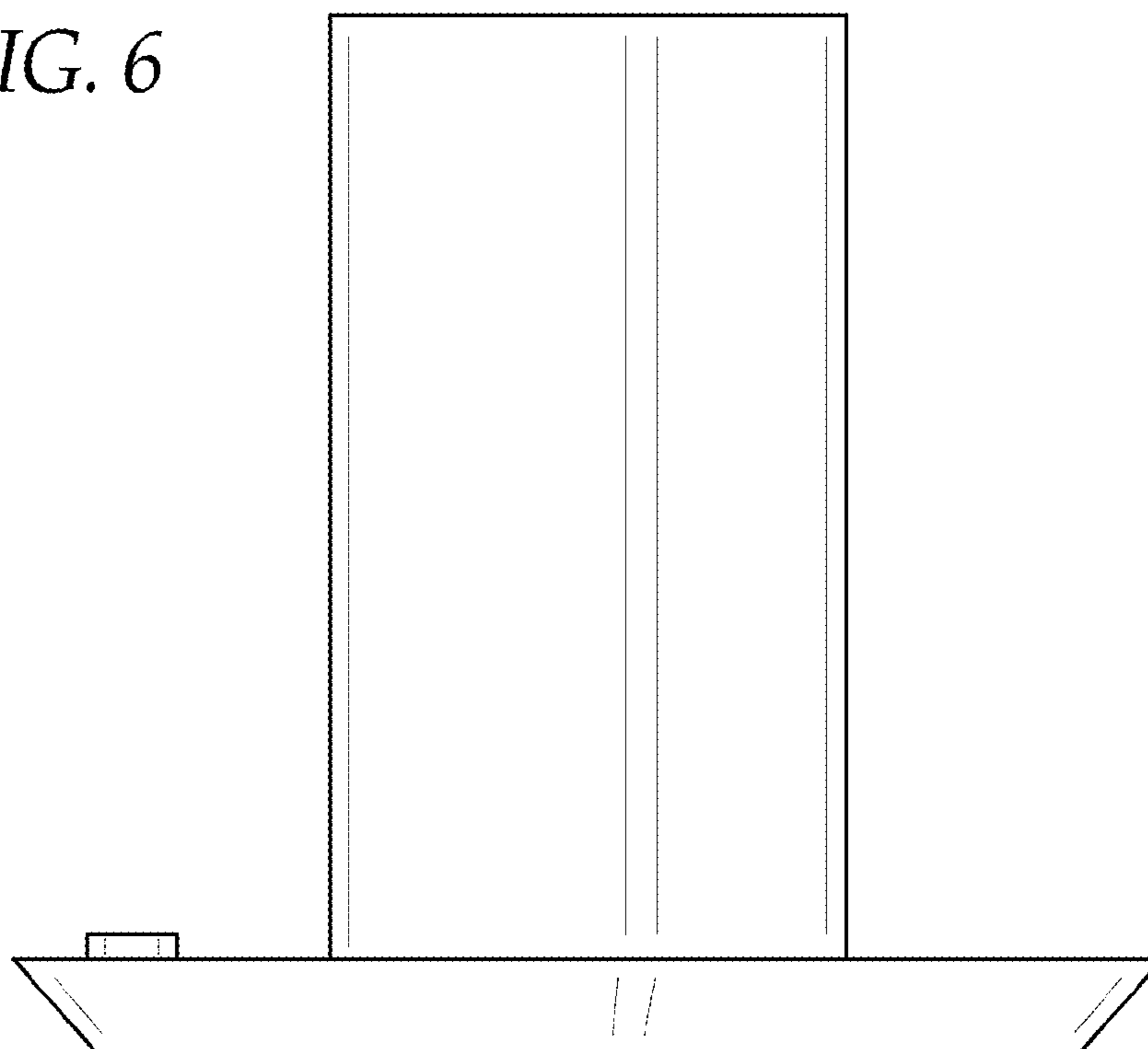


FIG. 7

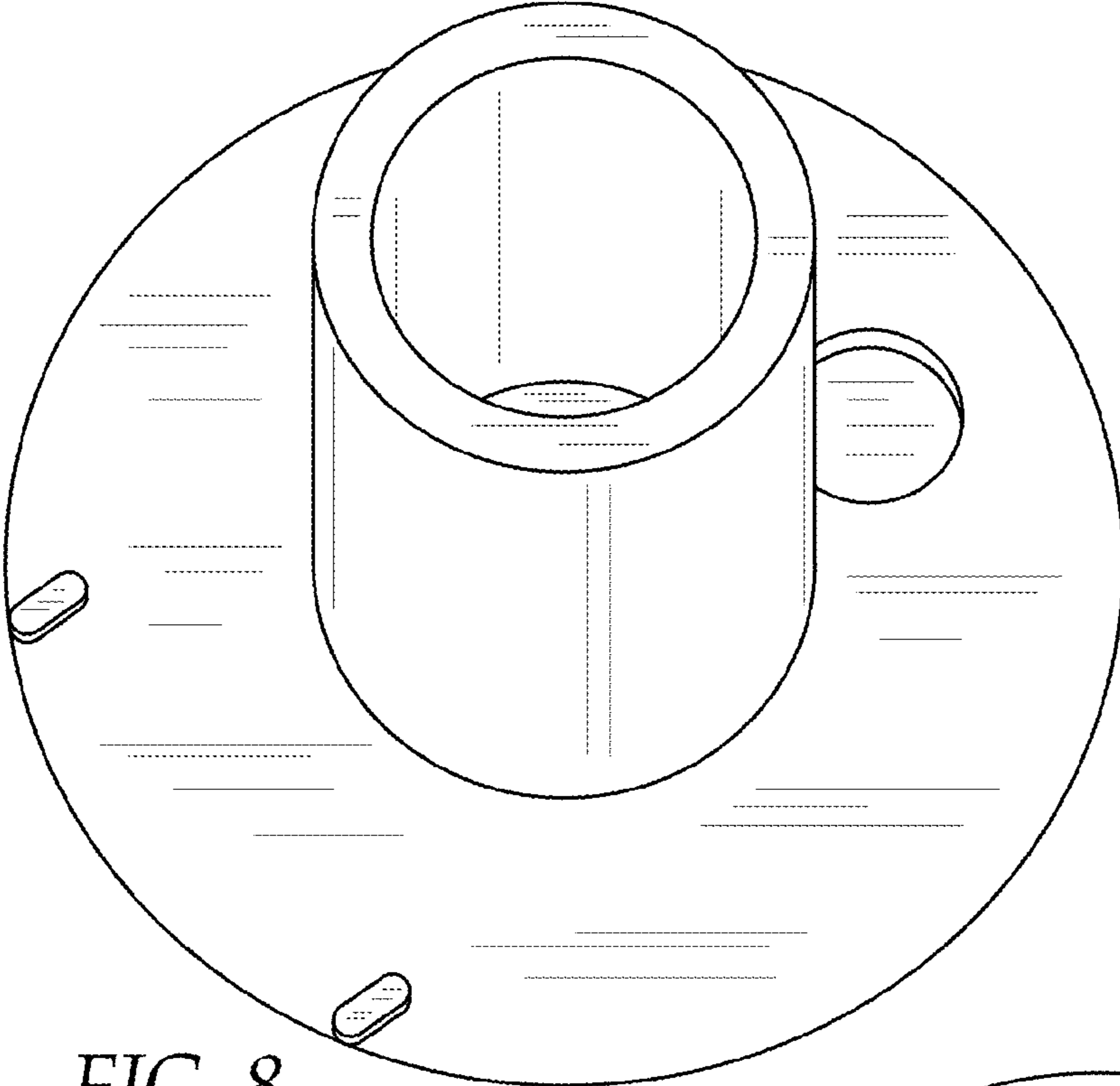


FIG. 8

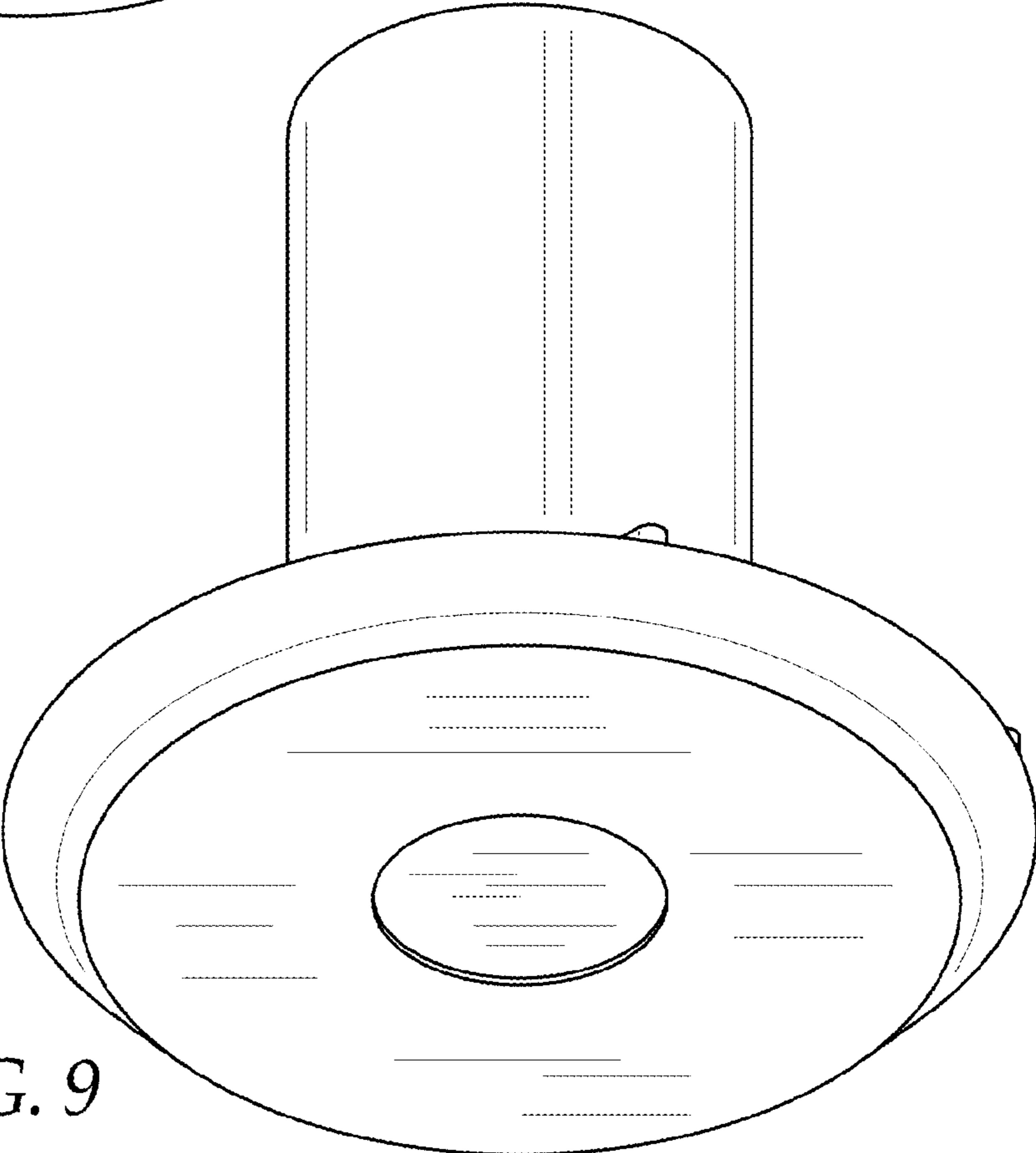


FIG. 9