



US00D989985S

(12) **United States Design Patent**  
**Nielo**

(10) **Patent No.:** **US D989,985 S**  
(45) **Date of Patent:** **\*\* Jun. 20, 2023**

(54) **LADDER MOUNT TOOL HOLDER**

(71) Applicant: **Joseph Nielo**, West Chicago, IL (US)

(72) Inventor: **Joseph Nielo**, West Chicago, IL (US)

(\*\*) Term: **15 Years**

(21) Appl. No.: **29/794,196**

(22) Filed: **Jun. 10, 2021**

(51) **LOC (14) Cl.** ..... **25-04**

(52) **U.S. Cl.**  
USPC ..... **D25/68; D3/315**

(58) **Field of Classification Search**  
USPC ..... D3/905; D25/62-65, 68-69; 182/107,  
182/129; 206/349, 372, 373; 220/475;  
248/210, 238  
CPC ... E06C 1/397; E06C 7/00; E06C 7/14; E06C  
7/46; E06C 7/48; E06C 7/182; E06C  
7/188  
See application file for complete search history.

(56) **References Cited**

**U.S. PATENT DOCUMENTS**

D273,996 S *	5/1984	Rasler	.....	D25/68
D340,773 S *	10/1993	Bartnicki	.....	D25/68
5,259,480 A *	11/1993	Bartnicki	.....	E06C 7/14 182/129
D343,601 S *	1/1994	Brady	.....	D12/425
D361,664 S *	8/1995	Brown	.....	D3/315
5,573,081 A *	11/1996	Bartnicki	.....	E06C 7/14 182/129
5,673,885 A *	10/1997	Pham	.....	E06C 7/14 248/210
D388,882 S *	1/1998	Kain	.....	D25/64
5,749,437 A *	5/1998	Weller	.....	
D395,522 S *	6/1998	Roberts	.....	D25/68
5,782,314 A *	7/1998	Zeitler	.....	
D404,502 S *	1/1999	Shanahan	.....	D25/68

5,941,344 A *	8/1999	Spadaro	.....	E06C 7/14 248/210
D413,990 S *	9/1999	Bartnicki	.....	D25/68
D418,612 S *	1/2000	Deutsch	.....	D25/68
D422,717 S *	4/2000	Bartnicki	.....	D25/68
D431,302 S *	9/2000	Bresko	.....	D25/68
D433,568 S *	11/2000	Willison	.....	D3/310
D434,856 S *	12/2000	Yahner	.....	D25/68
D445,202 S *	7/2001	Lungo	.....	D25/68
D484,701 S *	1/2004	Fabregas	.....	D3/315
D500,145 S *	12/2004	Cromberg	.....	D25/68
D516,227 S *	2/2006	Price	.....	D3/315
D519,430 S *	4/2006	Moody	.....	D12/203
7,032,711 B1	4/2006	Katz	.....	
D520,147 S *	5/2006	Jones	.....	D25/68

(Continued)

*Primary Examiner* — T Chase Nelson  
*Assistant Examiner* — Sydney Margaret Parsley

(57) **CLAIM**

The ornamental design for a ladder mount tool holder, as shown and described.

**DESCRIPTION**

FIG. 1 is a front view of a ladder mount tool holder showing my new design;

FIG. 2 is a rear view of the ladder mount tool holder;

FIG. 3 is a left side view of the ladder mount tool holder;

FIG. 4 is a right side view of the ladder mount tool holder;

FIG. 5 is a top view of the ladder mount tool holder;

FIG. 6 is a bottom view of the ladder mount tool holder;

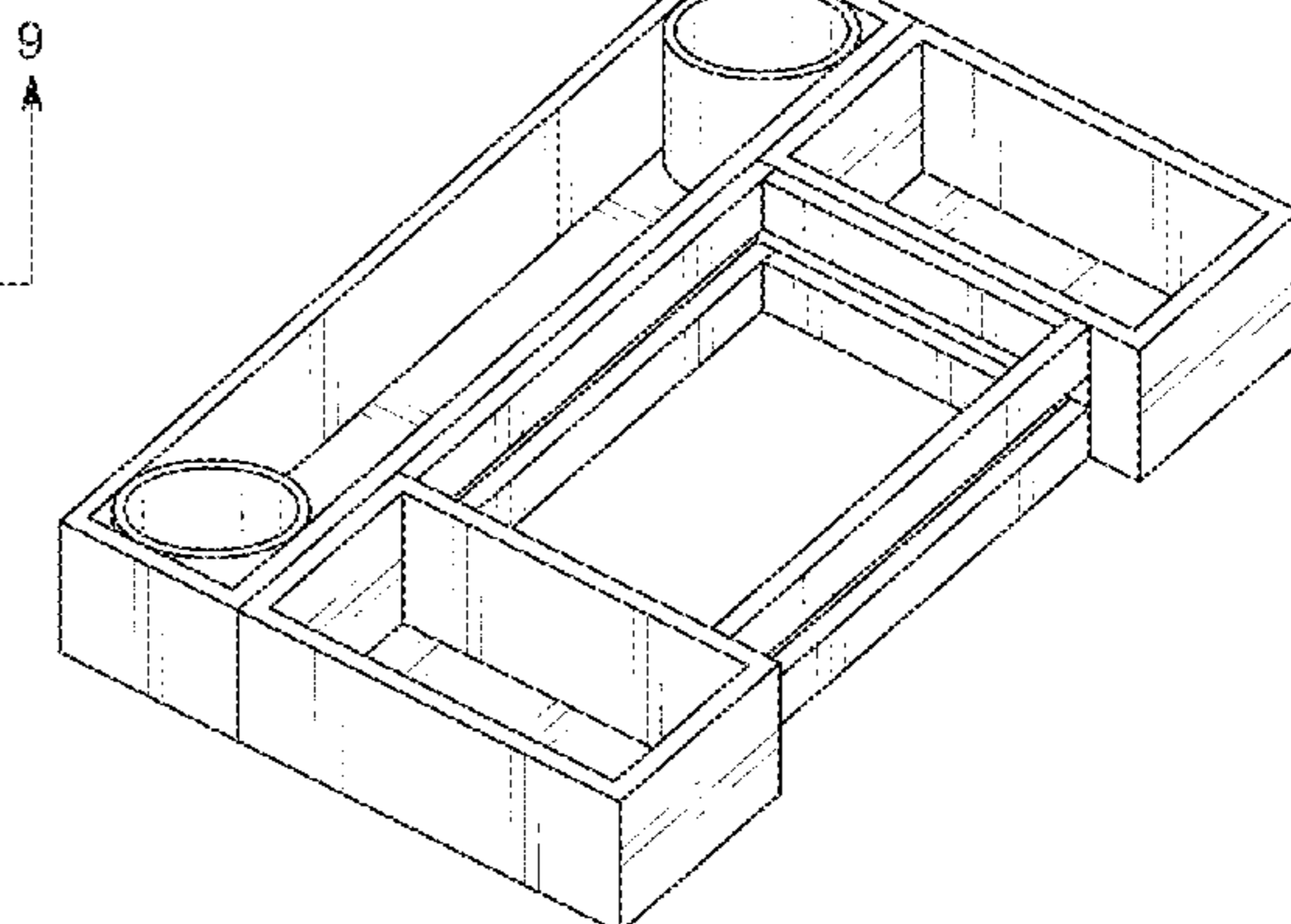
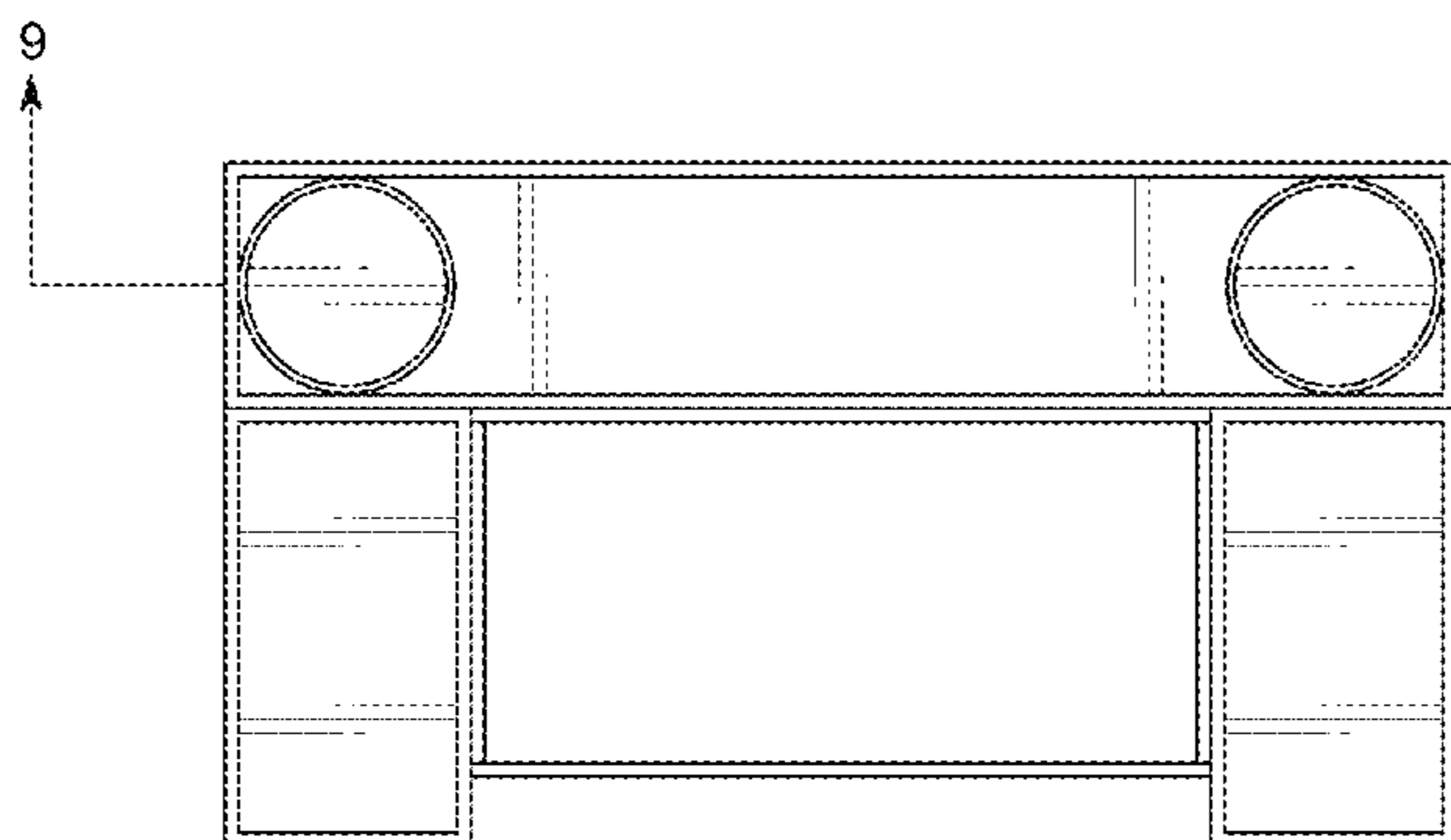
FIG. 7 is a top front side perspective view of the ladder mount tool holder; and

FIG. 8 is a top front side perspective view of the ladder mount tool holder in use; and,

FIG. 9 is a cross-sectional view taken along line 9-9 of FIG. 5.

The broken lines in FIG. 8 are illustrative of environmental structure forming no part of the claimed design.

**1 Claim, 9 Drawing Sheets**



(56)

References Cited

U.S. PATENT DOCUMENTS

D530,025 S \* 10/2006 Patton ..... D25/68  
 D531,322 S \* 10/2006 Patton ..... D25/68  
 D541,432 S \* 4/2007 Rapp ..... D25/68  
 D547,460 S \* 7/2007 Asham ..... D25/68  
 D549,356 S \* 8/2007 Gibson ..... D25/68  
 D549,839 S \* 8/2007 Zodnik ..... D25/68  
 7,264,084 B1 \* 9/2007 Switzer ..... E06C 7/14  
 248/238  
 D552,257 S \* 10/2007 Berry ..... D25/68  
 D564,677 S \* 3/2008 Farber ..... D25/68  
 7,370,726 B1 \* 5/2008 Chavez ..... E06C 1/18  
 248/210  
 D577,489 S \* 9/2008 Debowiecki ..... D3/315  
 7,753,170 B1 \* 7/2010 Gibson ..... E06C 7/482  
 248/210  
 D631,561 S \* 1/2011 Luciano ..... D25/68  
 7,984,790 B2 \* 7/2011 Meyers ..... E06C 1/393  
 182/163  
 D678,551 S \* 3/2013 Stark ..... D25/68  
 D684,278 S \* 6/2013 Kieffer ..... D25/65  
 8,469,148 B2 \* 6/2013 Perry ..... E06C 7/14  
 248/240.4  
 D700,361 S \* 2/2014 Green ..... D25/68  
 D735,354 S \* 7/2015 Fadear ..... D25/68  
 D751,218 S \* 3/2016 Ellis ..... D25/68  
 D753,319 S \* 4/2016 Constable ..... D25/68  
 9,359,819 B1 6/2016 Valadez  
 D819,834 S \* 6/2018 Fiedeler ..... D25/68  
 D833,643 S \* 11/2018 Foley ..... D25/68  
 D836,800 S \* 12/2018 Coe ..... D25/68  
 D838,387 S \* 1/2019 DeMore ..... E06C 7/14  
 D25/68  
 D875,970 S \* 2/2020 Heffernan ..... D25/68

D906,547 S \* 12/2020 Loyer ..... E06C 7/14  
 D25/68  
 D944,417 S \* 2/2022 Maxfield ..... D25/68  
 2004/0231920 A1 \* 11/2004 Meeker ..... E06C 7/087  
 182/165  
 2005/0045423 A1 \* 3/2005 Meeker ..... E06C 7/14  
 182/165  
 2005/0061584 A1 3/2005 Louthen  
 2005/0274575 A1 \* 12/2005 Gibson ..... E06C 7/14  
 182/129  
 2005/0284701 A1 \* 12/2005 Gibson ..... E06C 7/14  
 182/165  
 2006/0102424 A1 5/2006 Wise  
 2009/0078504 A1 \* 3/2009 Astor ..... E06C 1/39  
 182/129  
 2009/0229918 A1 \* 9/2009 Moss ..... E06C 7/14  
 182/180.1  
 2011/0168493 A1 \* 7/2011 Clark ..... E06C 7/14  
 182/129  
 2013/0037552 A1 \* 2/2013 Kells ..... B44D 3/125  
 220/570  
 2013/0112502 A1 \* 5/2013 Oliver ..... E06C 7/14  
 220/628  
 2013/0220951 A1 \* 8/2013 Dufour ..... E06C 7/14  
 211/13.1  
 2016/0348434 A1 \* 12/2016 Williams ..... E06C 7/14  
 2017/0234069 A1 \* 8/2017 Pfeifer ..... E06C 7/182  
 248/238  
 2019/0085633 A1 \* 3/2019 Hendriex ..... E06C 1/39  
 2020/0263497 A1 \* 8/2020 Leng ..... E06C 1/20  
 2020/0270946 A1 \* 8/2020 Lawery ..... B44D 3/125  
 2020/0386050 A1 \* 12/2020 Mittanck ..... E06C 7/50  
 2021/0246725 A1 \* 8/2021 Wernberg ..... E06C 7/48  
 2021/0254406 A1 \* 8/2021 Brown ..... E06C 1/393  
 2022/0195800 A1 \* 6/2022 Foley ..... E06C 1/393

\* cited by examiner

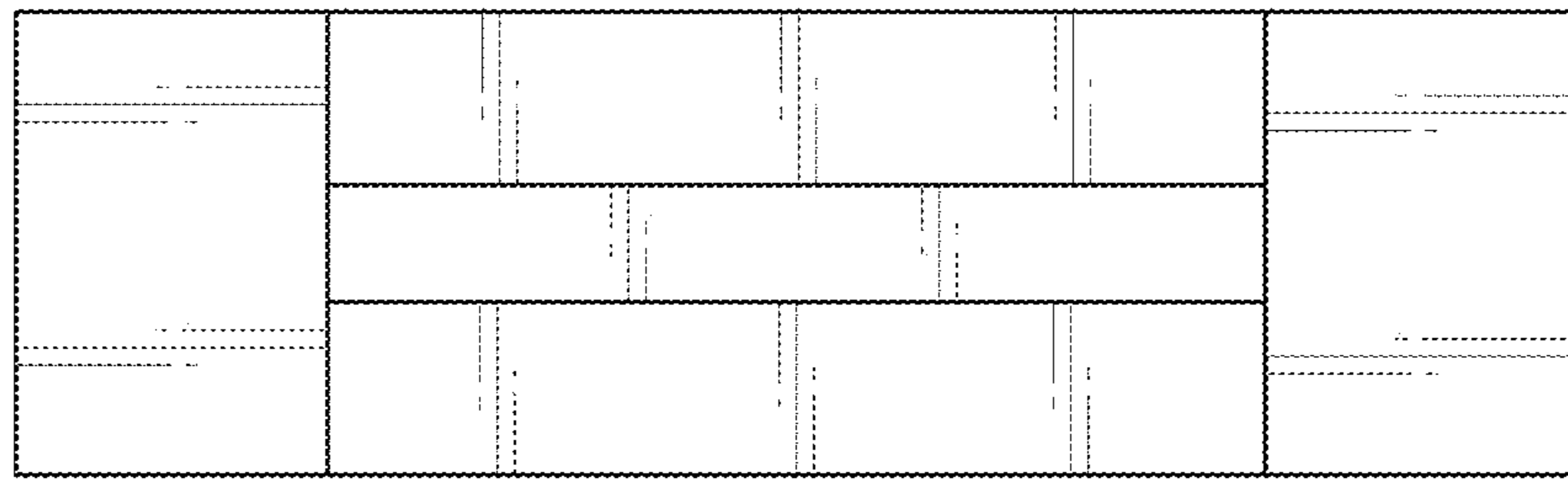


FIG. 1

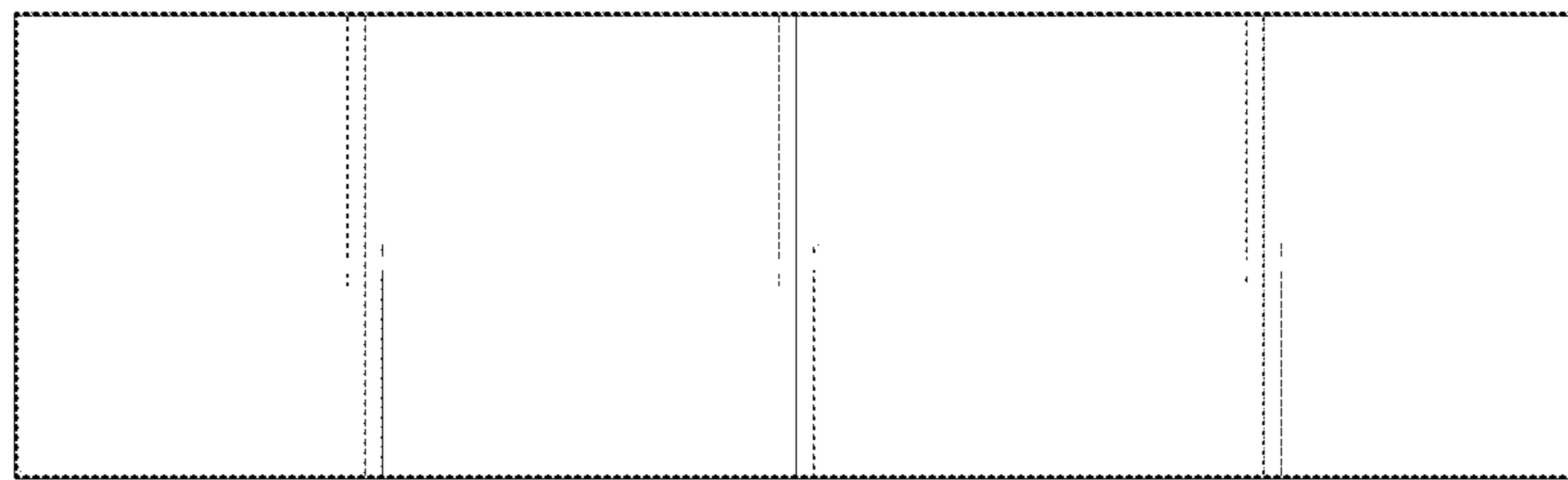


FIG. 2

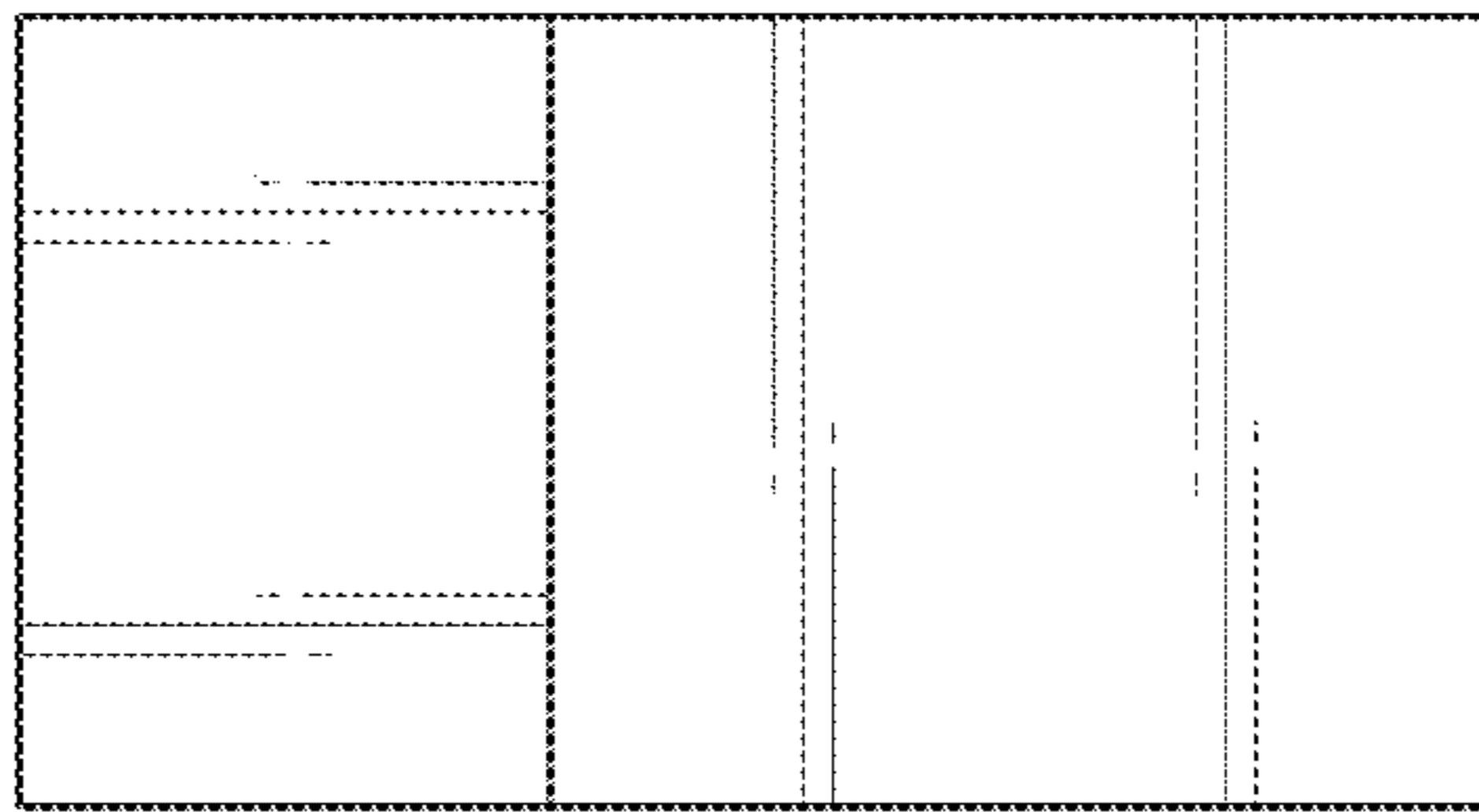


FIG. 3

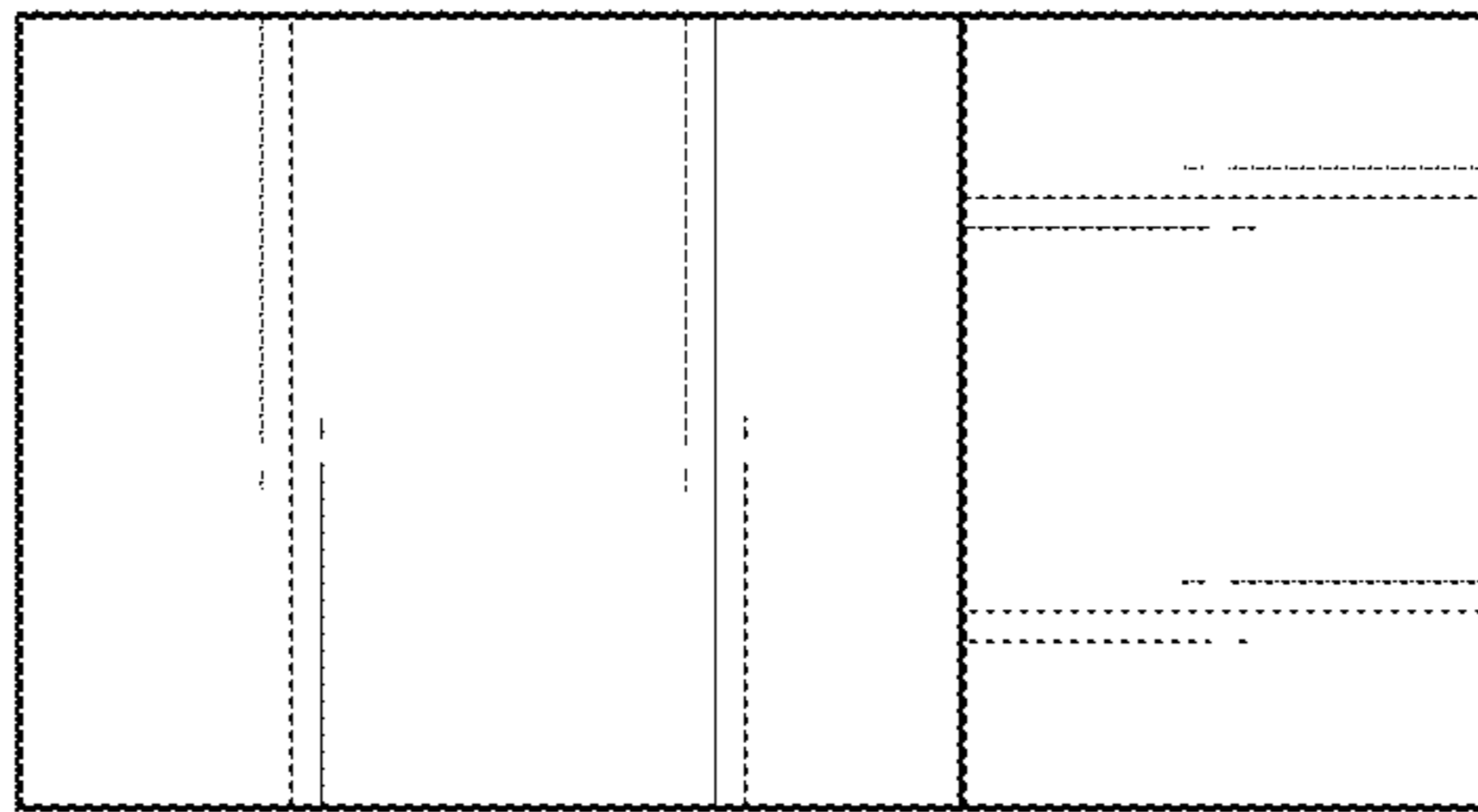


FIG. 4



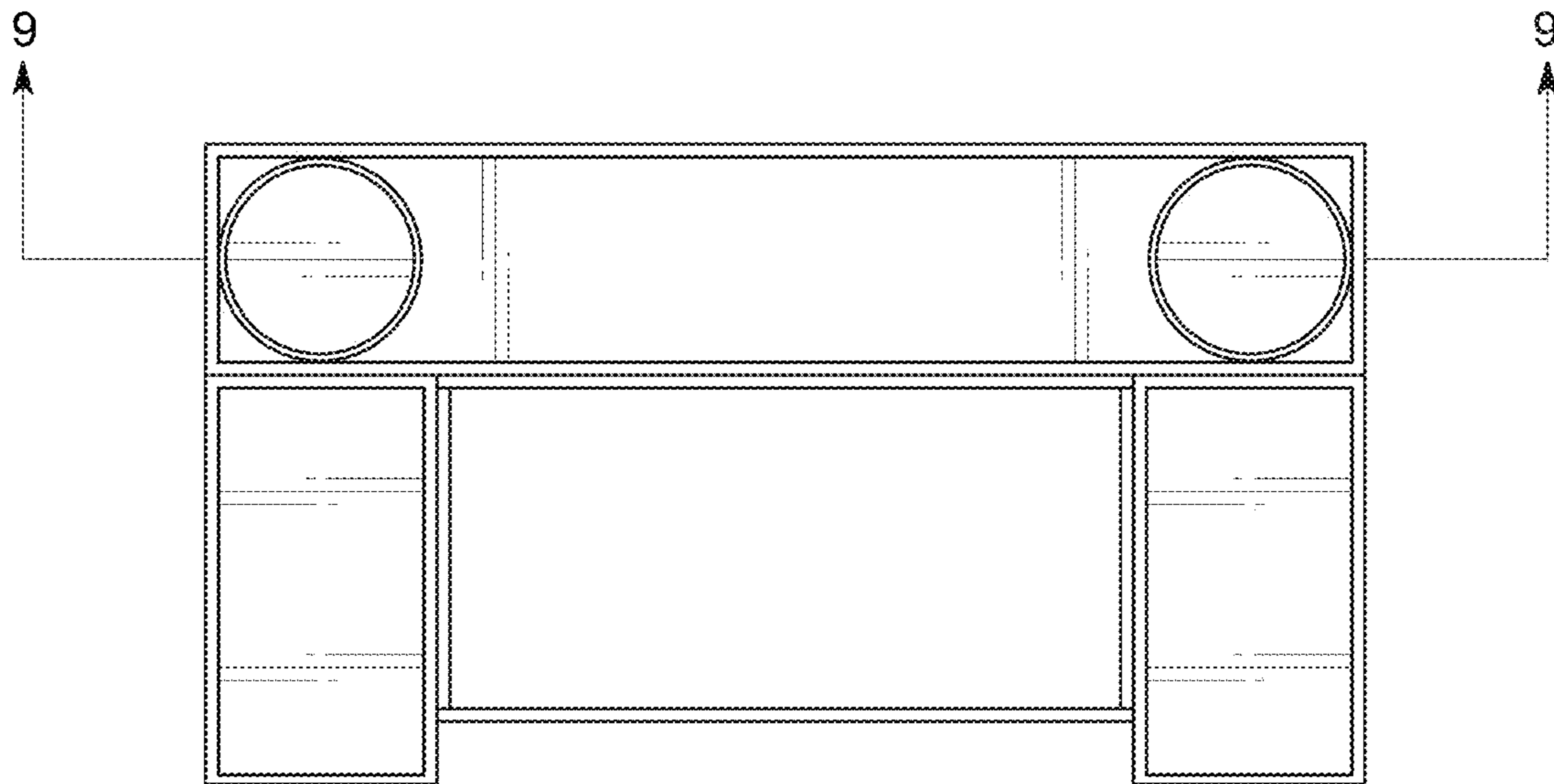


FIG. 5

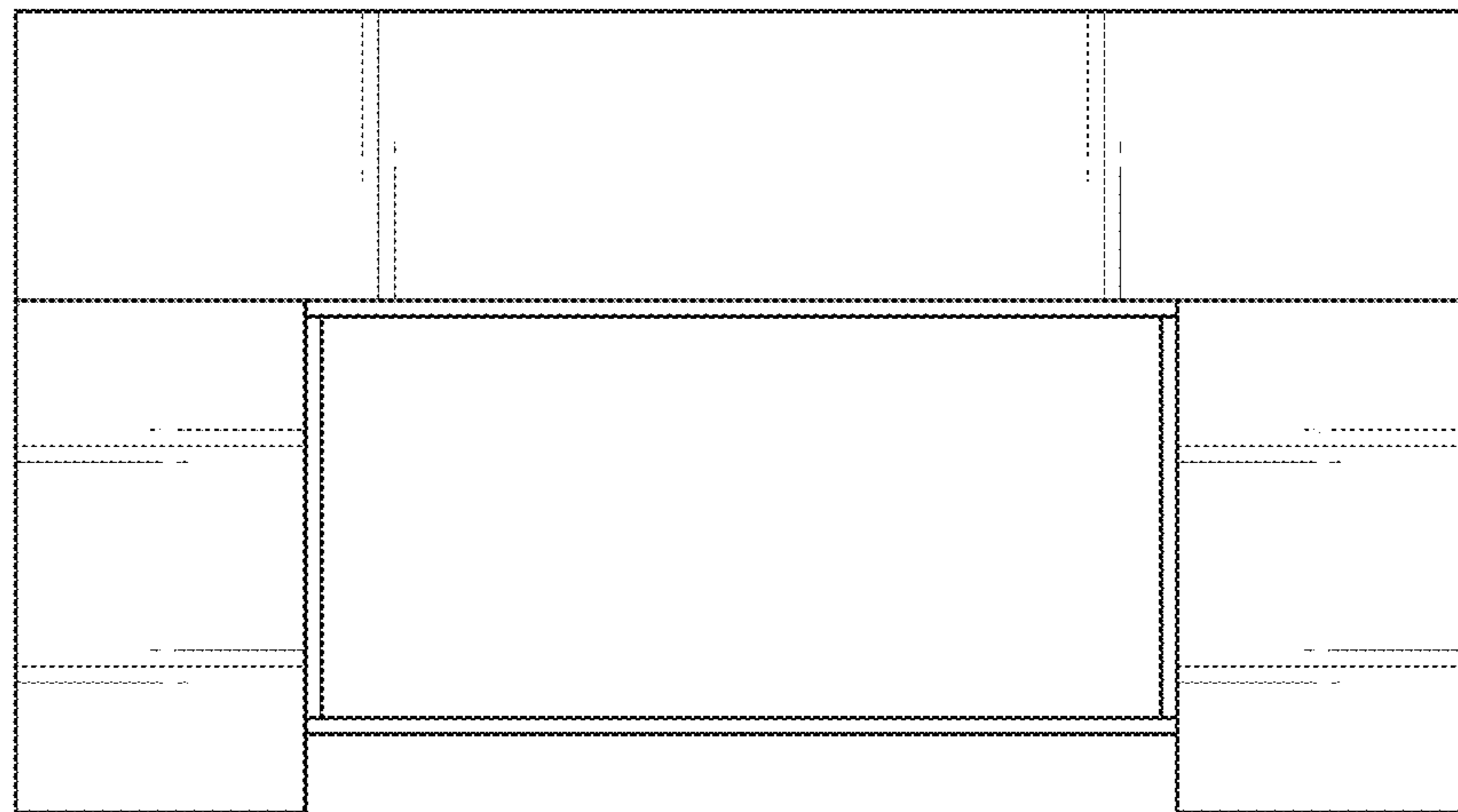


FIG. 6



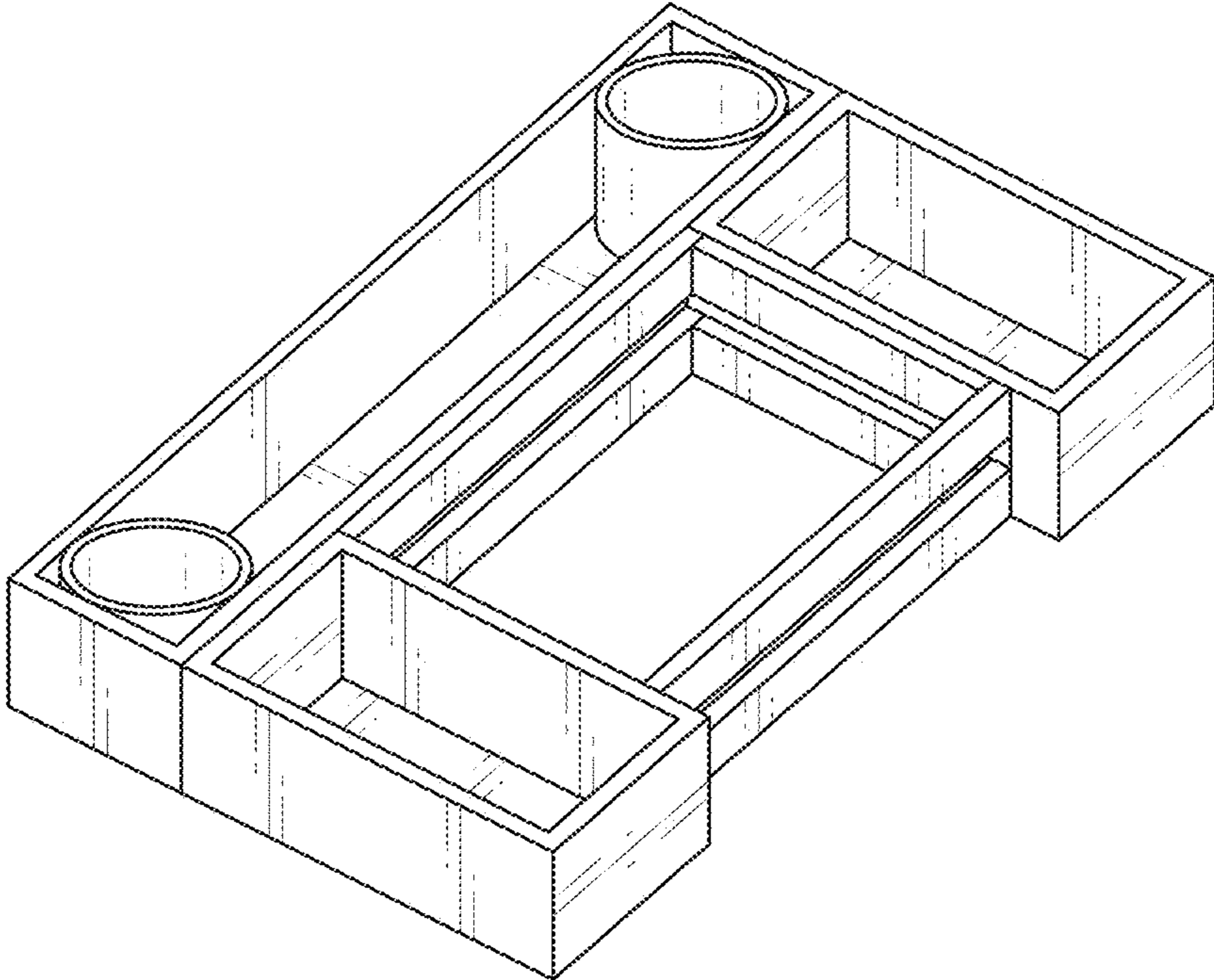


FIG. 7

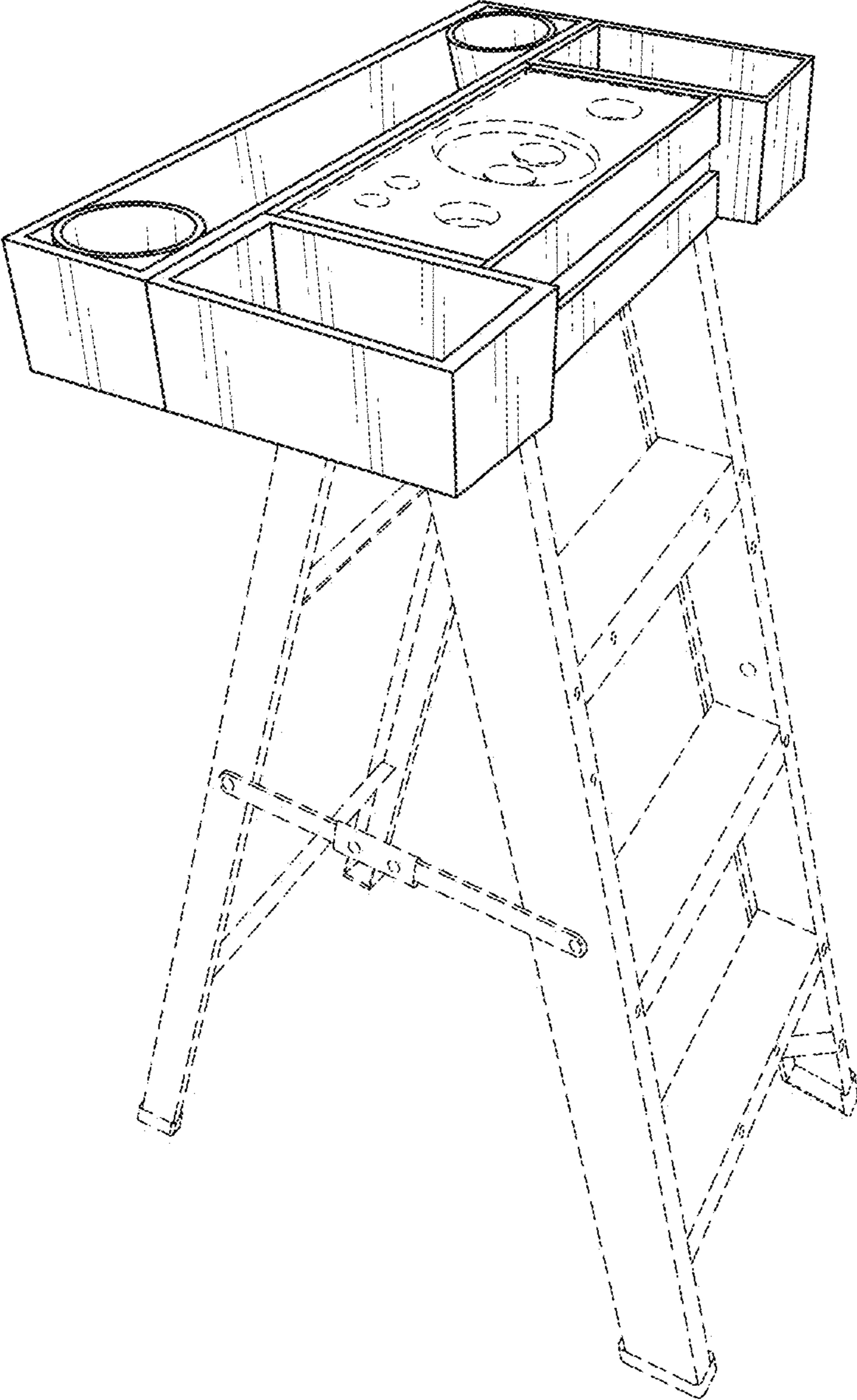


FIG. 8



FIG. 9