



US00D989984S

(12) **United States Design Patent**
Kellogg

(10) **Patent No.:** **US D989,984 S**
(45) **Date of Patent:** **** Jun. 20, 2023**

- (54) **LADDER TALON**
- (71) Applicant: **Shea Andrew Kellogg**, Pouce Coupe (CA)
- (72) Inventor: **Shea Andrew Kellogg**, Pouce Coupe (CA)
- (**) Term: **15 Years**
- (21) Appl. No.: **29/733,959**
- (22) Filed: **May 7, 2020**
- (51) **LOC (14) Cl.** **25-04**
- (52) **U.S. Cl.**
USPC **D25/68**
- (58) **Field of Classification Search**
USPC D25/68; 182/111, 108, 134, 207, 221
CPC E06C 7/46; E06C 7/42
See application file for complete search history.

- 10,017,989 B1 * 7/2018 Kellogg E06C 7/46
- D831,228 S * 10/2018 Lanzafame E06C 7/426
- D25/68
- 10,612,302 B2 * 4/2020 Maxfield E06C 7/423

* cited by examiner

Primary Examiner — Gino Colan

(74) *Attorney, Agent, or Firm* — Barry Choobin; Patent 360

(57) **CLAIM**

The ornamental design for a ladder talon, as shown and described.

DESCRIPTION

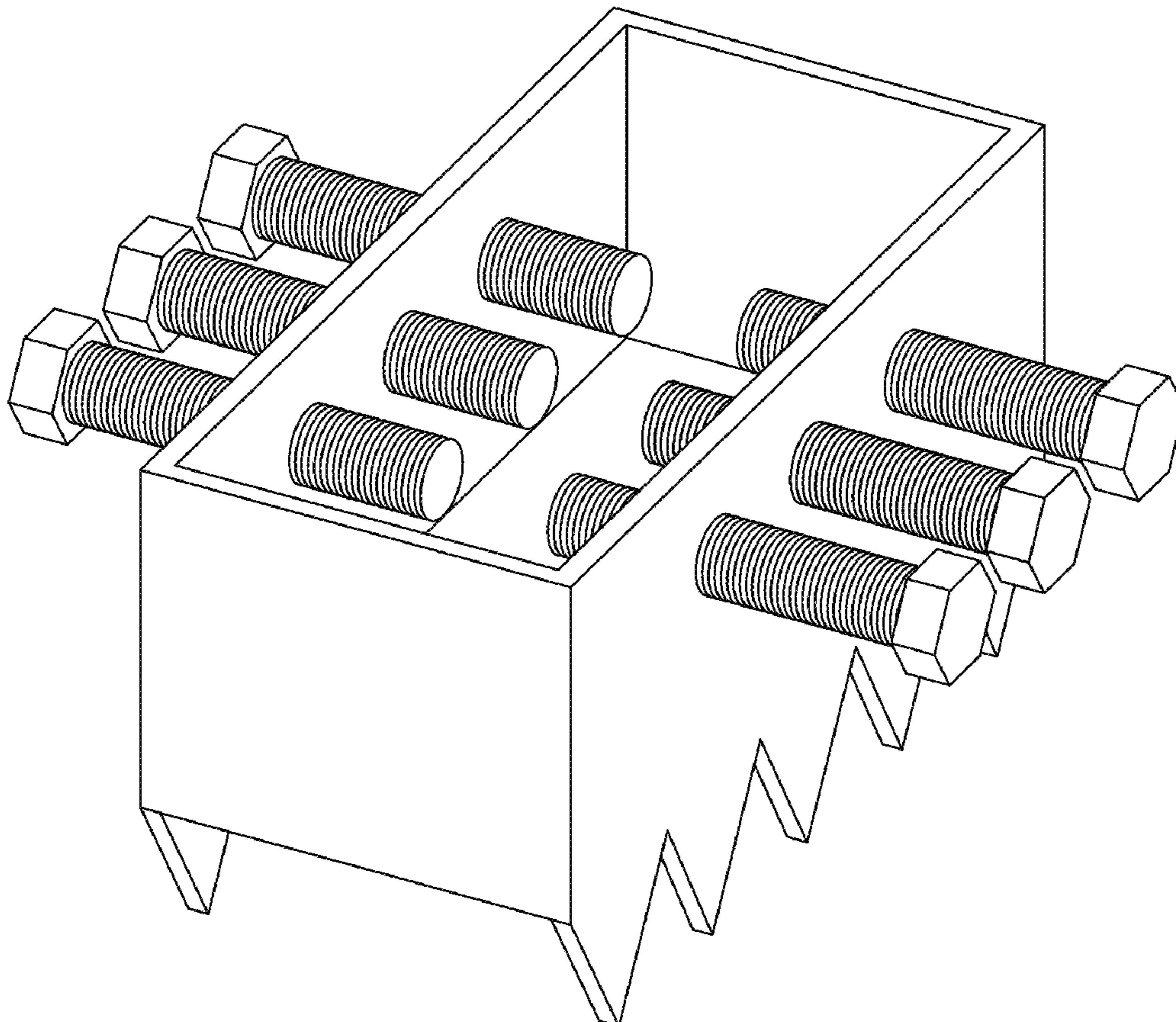
FIG. 1 is a perspective view of a ladder talon, showing my new design;
 FIG. 2 is a front view thereof, the rear view being the mirror image thereof;
 FIG. 3 is a cross-sectional view taken along the line 3-3 of FIG. 2;
 FIG. 4 is a right-side view thereof, the left-side view being the mirror image thereof; and,
 FIG. 5 is a top view thereof.
 The broken lines depict portions of the article that form no part of the claimed design.

(56) **References Cited**

U.S. PATENT DOCUMENTS

- 4,415,062 A * 11/1983 Shaw E06C 7/46
182/109
- D341,664 S * 11/1993 Newkirk D25/68
- 5,678,656 A * 10/1997 Lanzafame E06C 7/44
182/205
- D468,448 S * 1/2003 Blehm D25/68

1 Claim, 5 Drawing Sheets



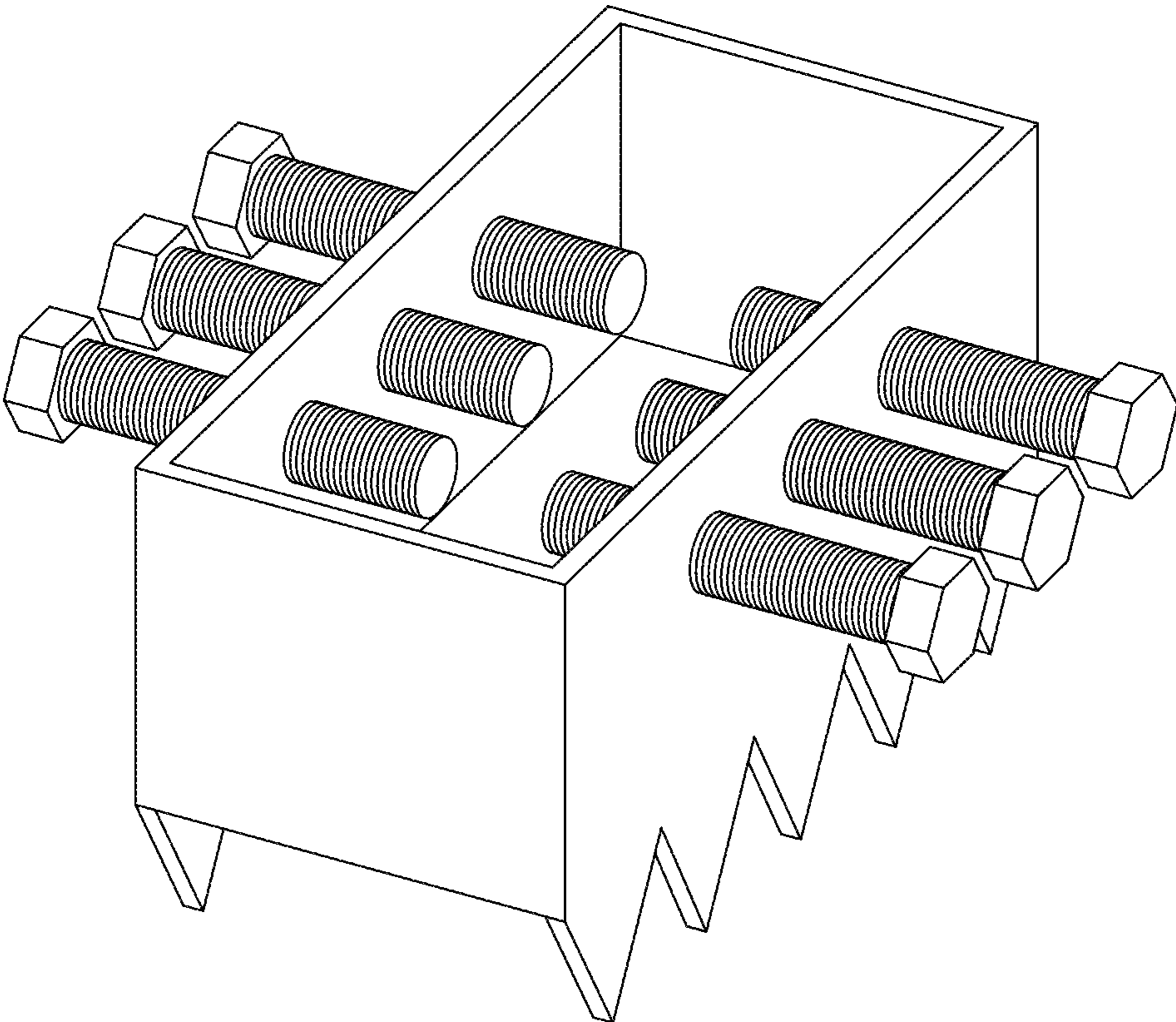


FIG. 1

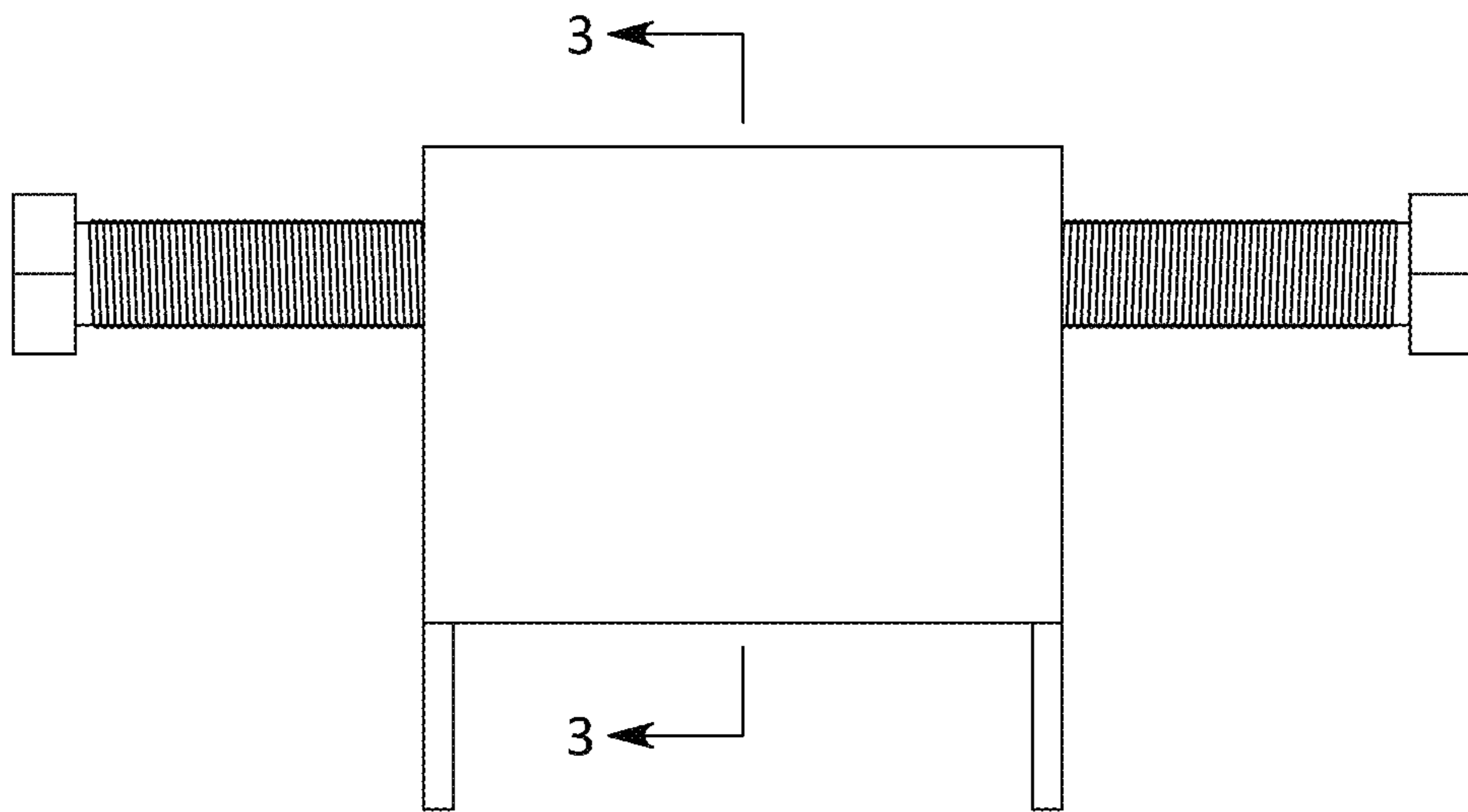


FIG. 2

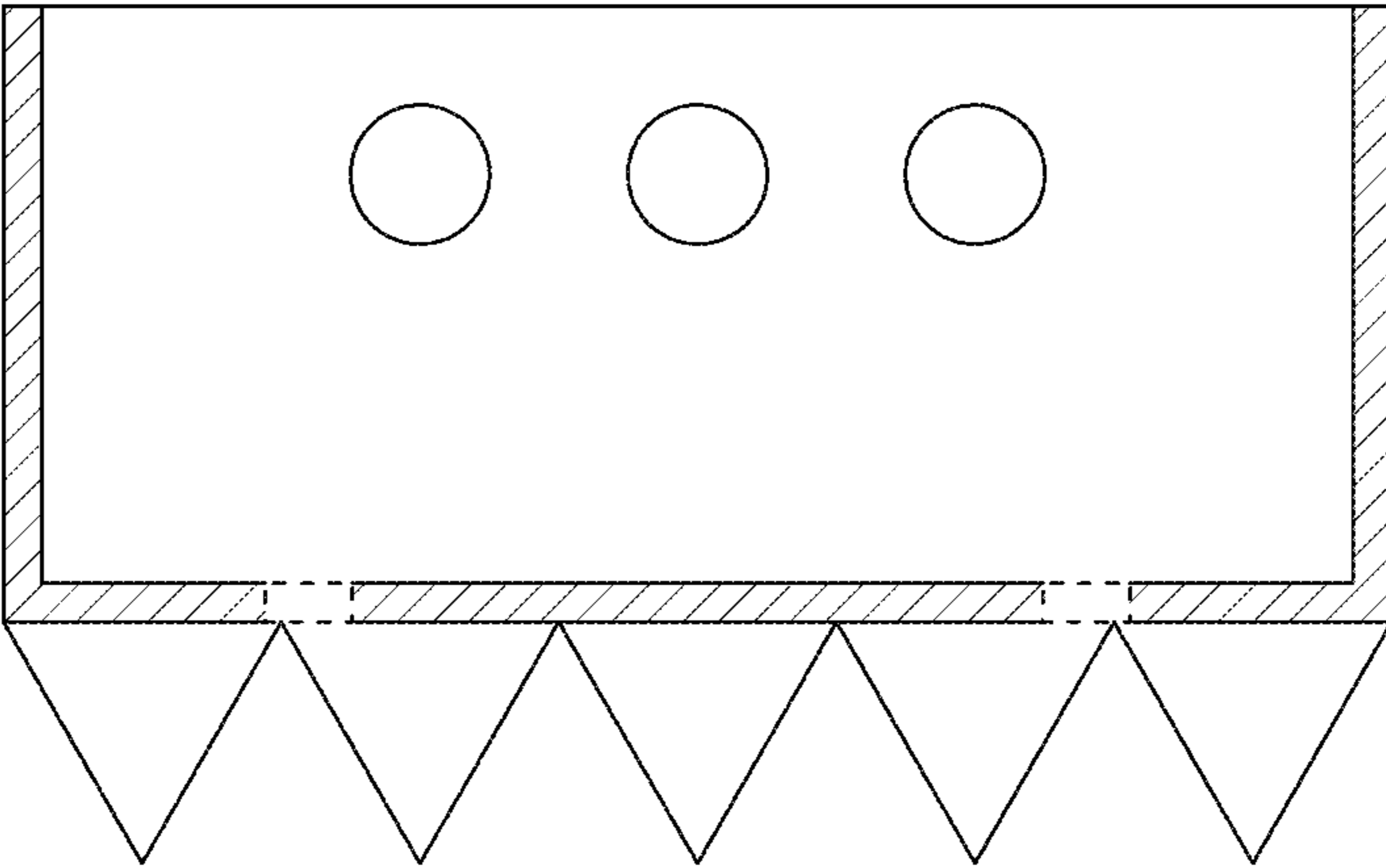


FIG. 3

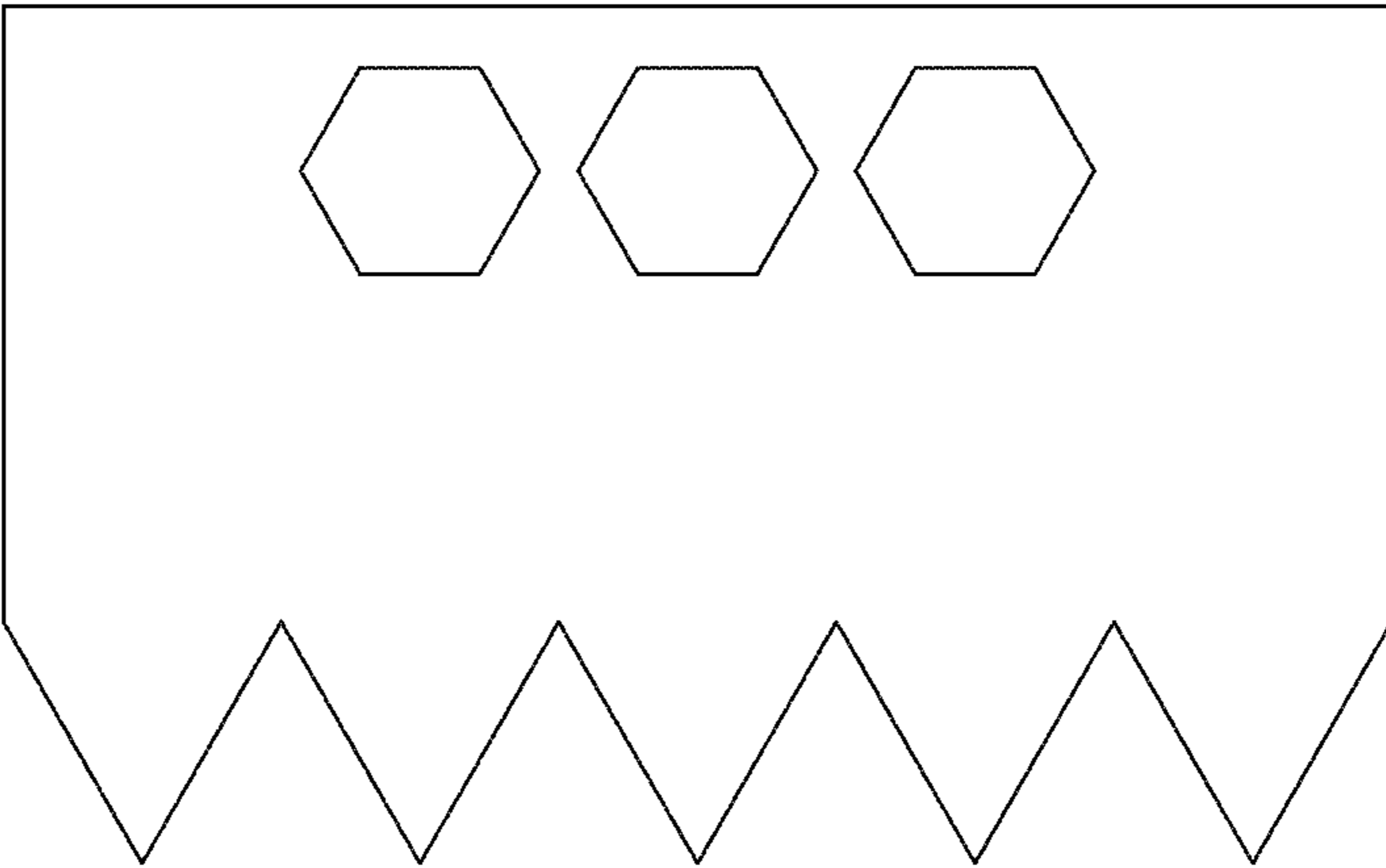


FIG. 4

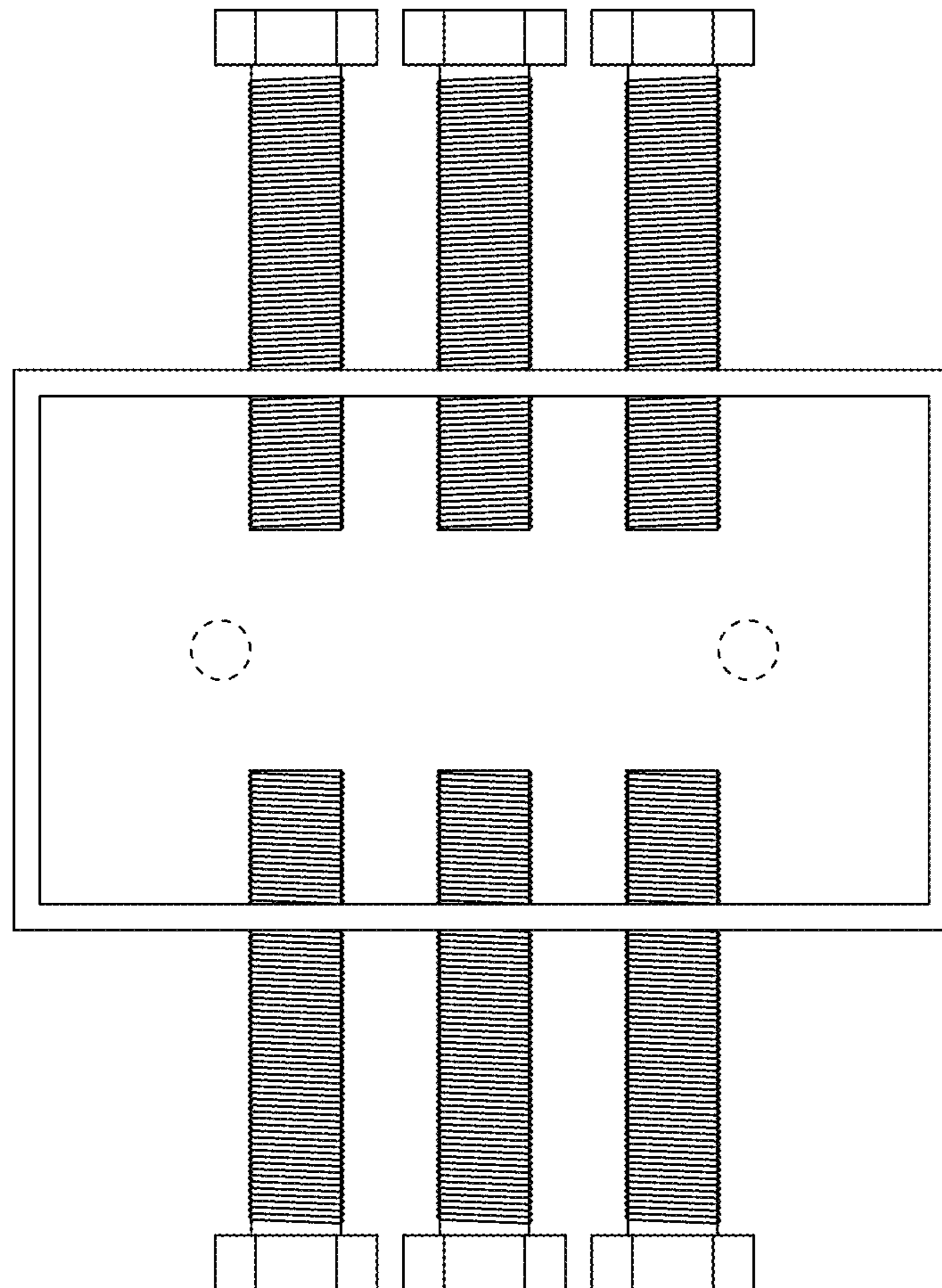


FIG. 5