



US00D989981S

(12) **United States Design Patent**  
**Yamanashi**

(10) **Patent No.:** **US D989,981 S**

(45) **Date of Patent:** **\*\* Jun. 20, 2023**

(54) **OFFICE BOOTH**

(71) Applicant: **OKAMURA CORPORATION,**  
Yokohama (JP)

(72) Inventor: **Asuka Yamanashi,** Yokohama (JP)

(73) Assignee: **Okamura Corporation,** Yokohama (JP)

(\*\*) Term: **15 Years**

(21) Appl. No.: **29/773,932**

(22) Filed: **Mar. 12, 2021**

(30) **Foreign Application Priority Data**

Sep. 25, 2020 (JP) ..... 2020-020480 D

(51) **LOC (14) Cl.** ..... **06-06**

(52) **U.S. Cl.**  
USPC ..... **D6/643; D6/332; D25/16**

(58) **Field of Classification Search**  
USPC ..... D25/1, 3, 4, 13, 16, 18, 19, 31-33, 58;  
D6/640-644, 337, 329, 336, 332, 338,  
D6/335, 714

CPC ..... E04H 1/0012; E04H 1/1205-1277; E04H  
1/14; E04B 2002/7483; E04B 2/7433;  
E04B 2/7437

See application file for complete search history.

(56) **References Cited**

**U.S. PATENT DOCUMENTS**

3,709,237 A \* 1/1973 Smith ..... E04H 1/1244  
256/25  
D251,402 S \* 3/1979 Toussaint ..... D6/643  
D304,529 S \* 11/1989 Hontz ..... D6/332  
D700,684 S \* 3/2014 Madenci ..... D6/643.1  
D720,160 S \* 12/2014 Lloyd ..... D6/643  
D727,042 S \* 4/2015 Wagner ..... D6/338  
D740,039 S \* 10/2015 Bouroullec ..... D6/335  
D740,040 S \* 10/2015 Bouroullec ..... D6/338  
D740,057 S \* 10/2015 Bouroullec ..... D6/643.1

D740,058 S \* 10/2015 Bouroullec ..... D6/643.1  
D761,576 S \* 7/2016 Agati ..... D6/338  
D775,865 S \* 1/2017 Bouroullec ..... D6/643  
D796,871 S \* 9/2017 Bouroullec ..... D6/643  
D850,130 S \* 6/2019 Webb ..... D6/338  
D878,110 S \* 3/2020 Pei ..... D6/643  
D895,987 S \* 9/2020 Lloyd ..... D6/332  
D914,241 S \* 3/2021 Crocker ..... D25/58  
D963,195 S \* 9/2022 Yamanashi ..... D25/16

(Continued)

**FOREIGN PATENT DOCUMENTS**

GB 6116972 \* 2/2021  
JP D1592113 \* 12/2017  
NZ 423377-0001 \* 10/2017

**OTHER PUBLICATIONS**

Roberto Molteni, Steelbox by Metalway, 2018, Archiproducts,  
[https://www.archiproducts.com/en/products/steelbox-by-metalway/  
acoustic-metal-office-booth-suite-office-booth\\_352065](https://www.archiproducts.com/en/products/steelbox-by-metalway/acoustic-metal-office-booth-suite-office-booth_352065) (Year: 2018).\*

(Continued)

*Primary Examiner* — Brett Miller

(74) *Attorney, Agent, or Firm* — Sughrue Mion, PLLC

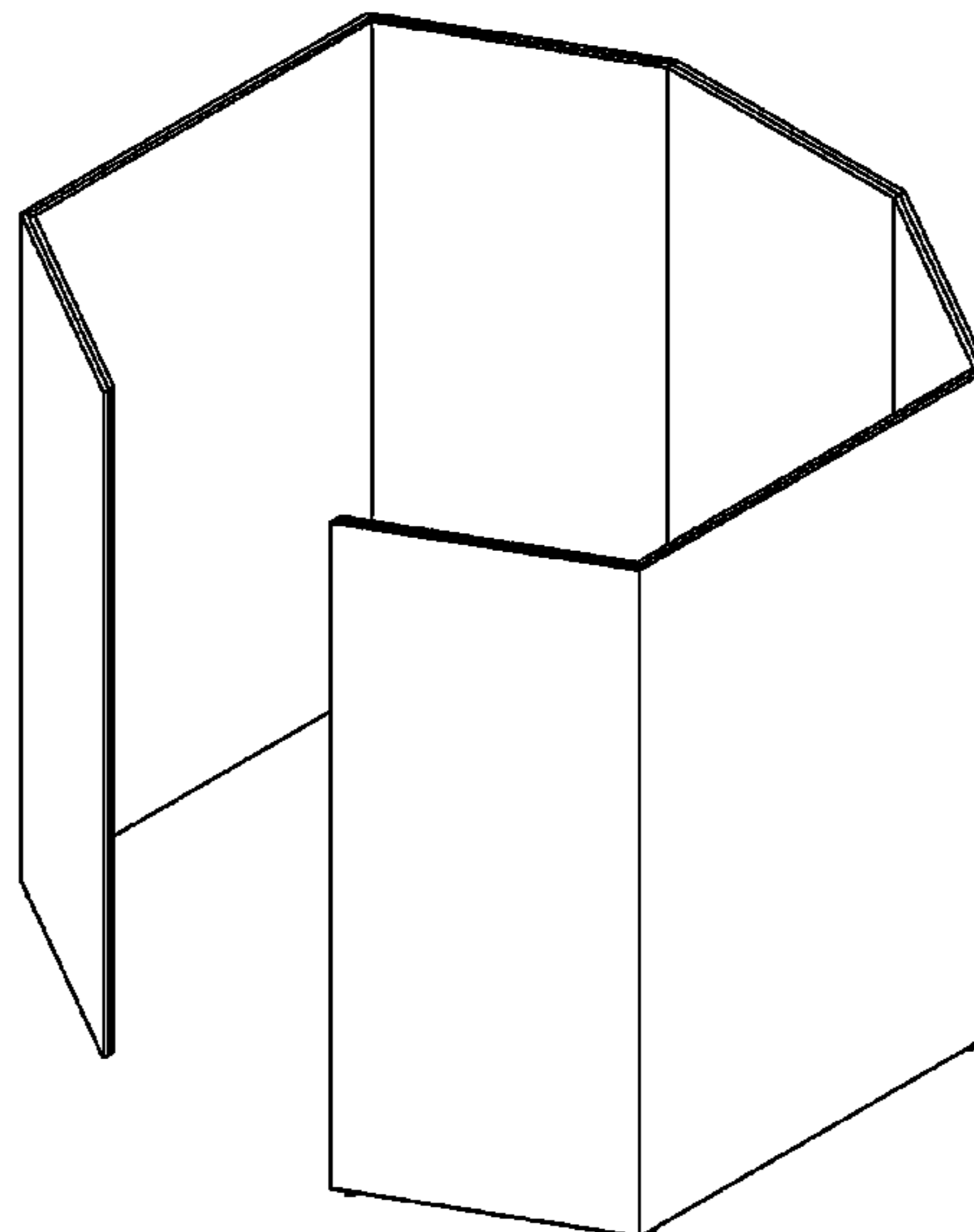
(57) **CLAIM**

The ornamental design for an office booth, as shown and described.

**DESCRIPTION**

FIG. 1 is a perspective view of an office booth showing my new design;  
FIG. 2 is a front elevation view thereof;  
FIG. 3 is a right side elevation view thereof, the left side being a mirror image;  
FIG. 4 is a top plan view thereof;  
FIG. 5 is a rear elevation view thereof; and,  
FIG. 6 is a bottom plan view thereof.

**1 Claim, 6 Drawing Sheets**



(56)

**References Cited**

U.S. PATENT DOCUMENTS

D965,819 S \* 10/2022 Yamanashi ..... D25/16  
2015/0300010 A1 \* 10/2015 Loffler ..... E04B 2/7437  
52/36.5  
2018/0355608 A1 \* 12/2018 Holbrook ..... E04B 2/7433

OTHER PUBLICATIONS

Four Design, Den Honeycomb, 2017, Architonic, <https://www.architonic.com/en/product/four-design-den-honeycomb/1490955> (Year: 2017).\*

\* cited by examiner

FIG. 1

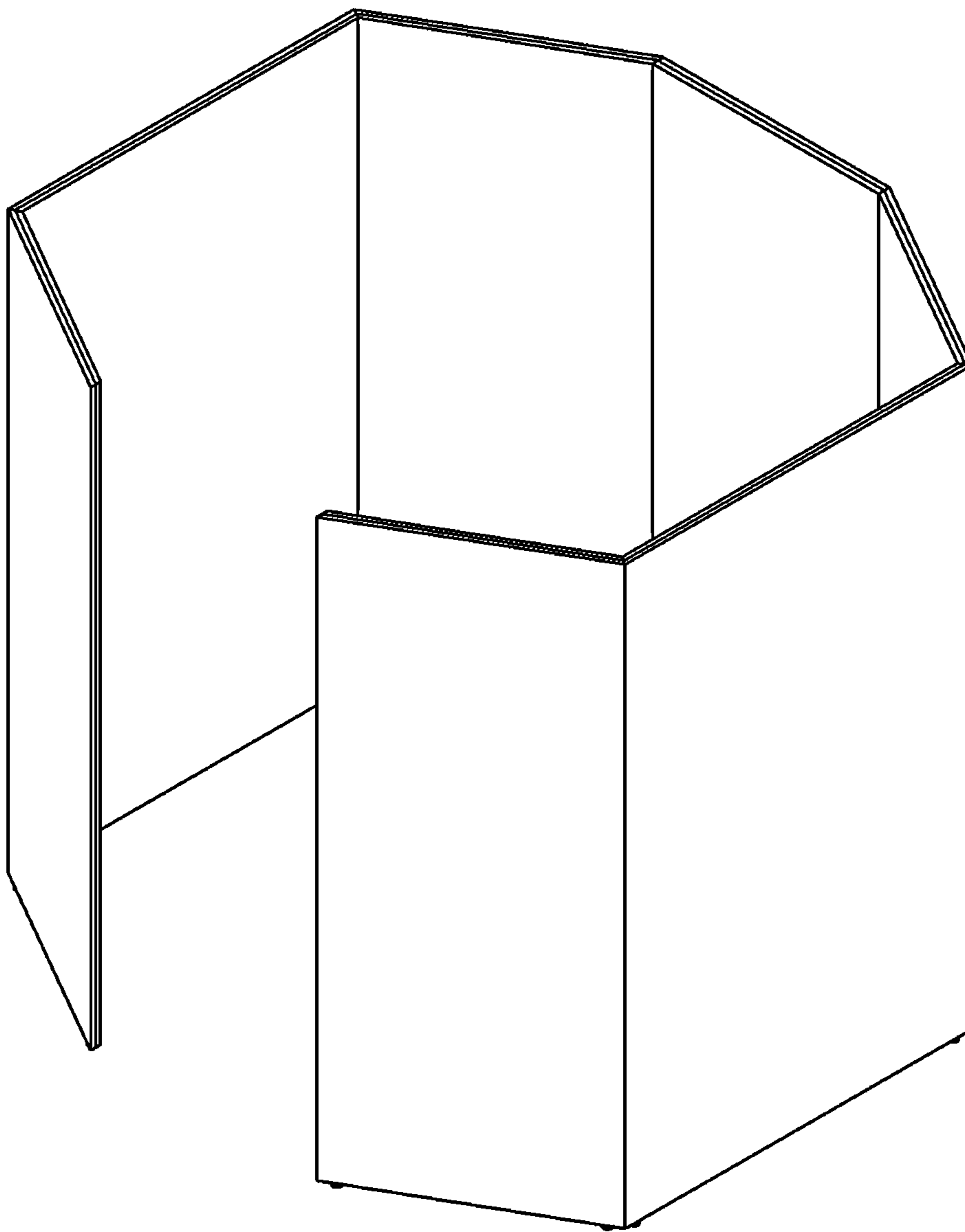


FIG. 2

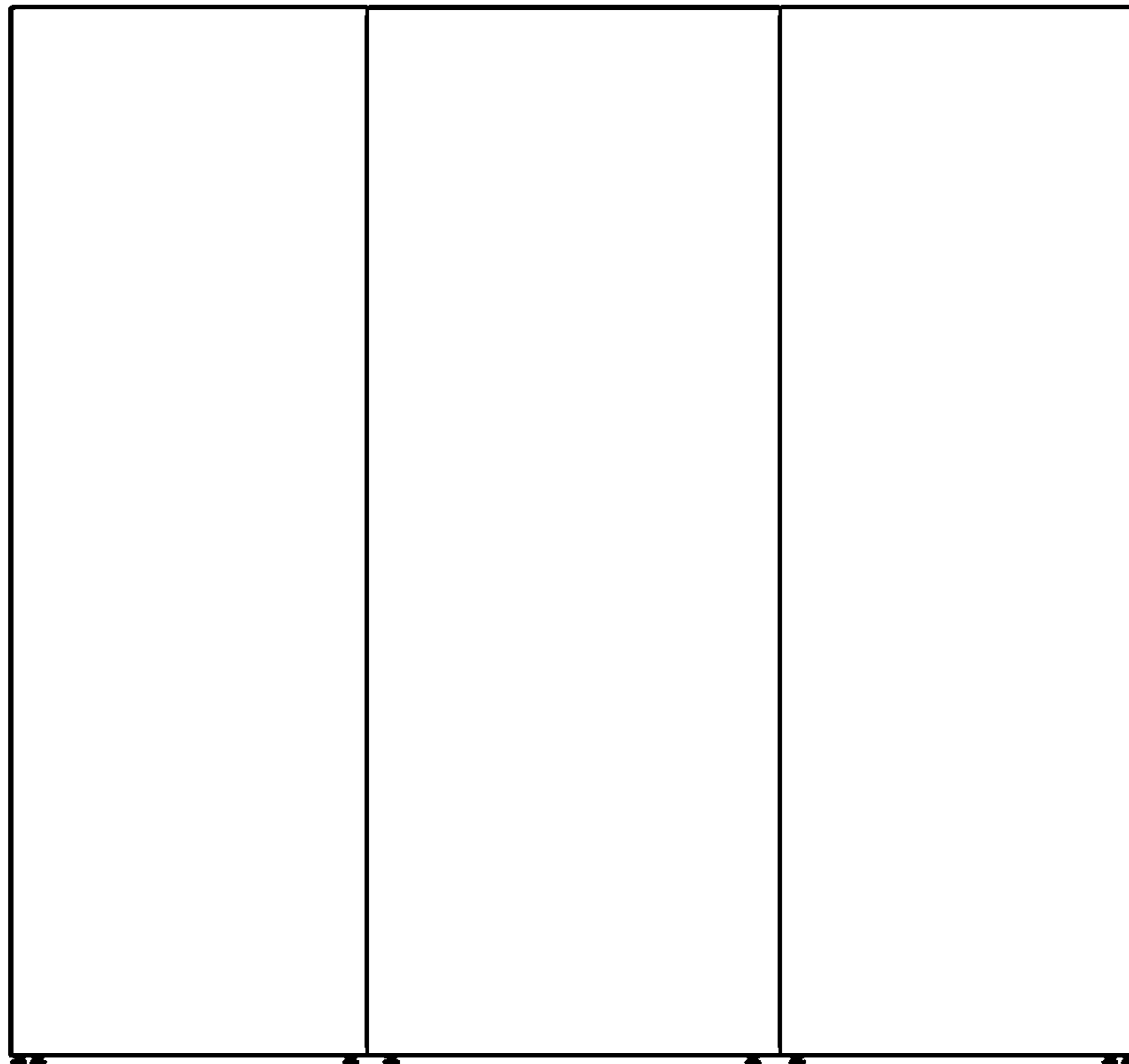


FIG. 3

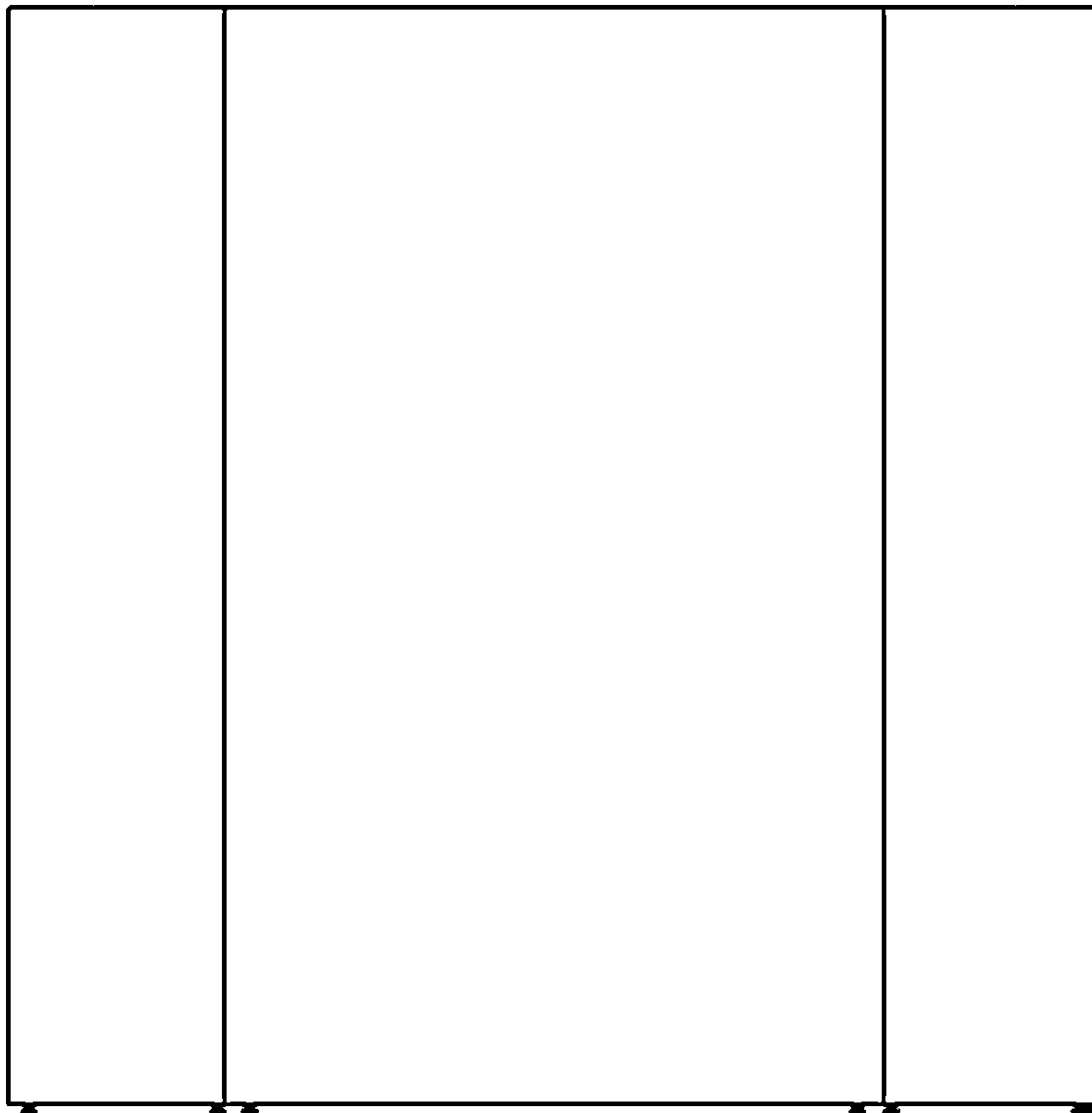


FIG. 4

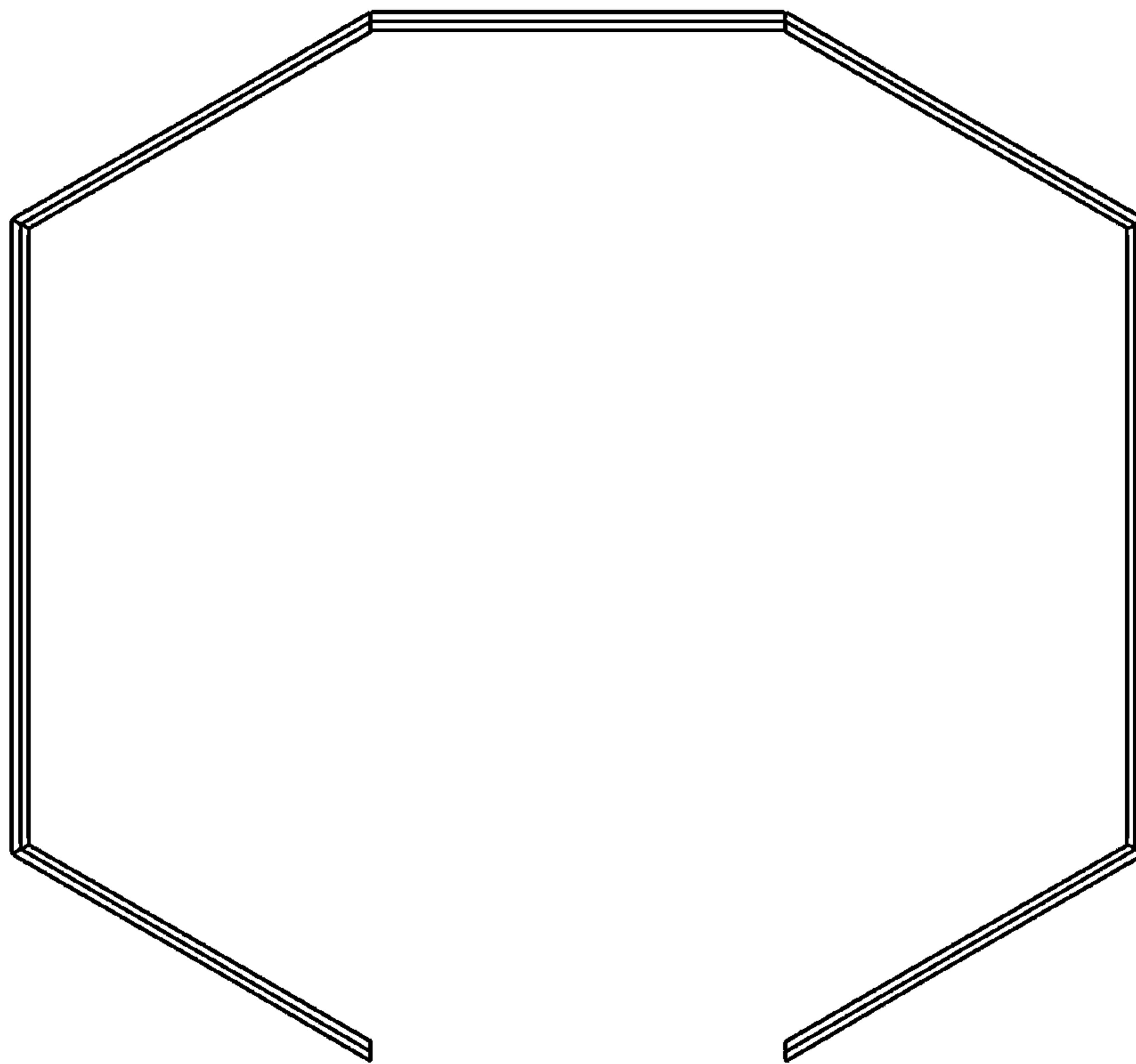


FIG. 5

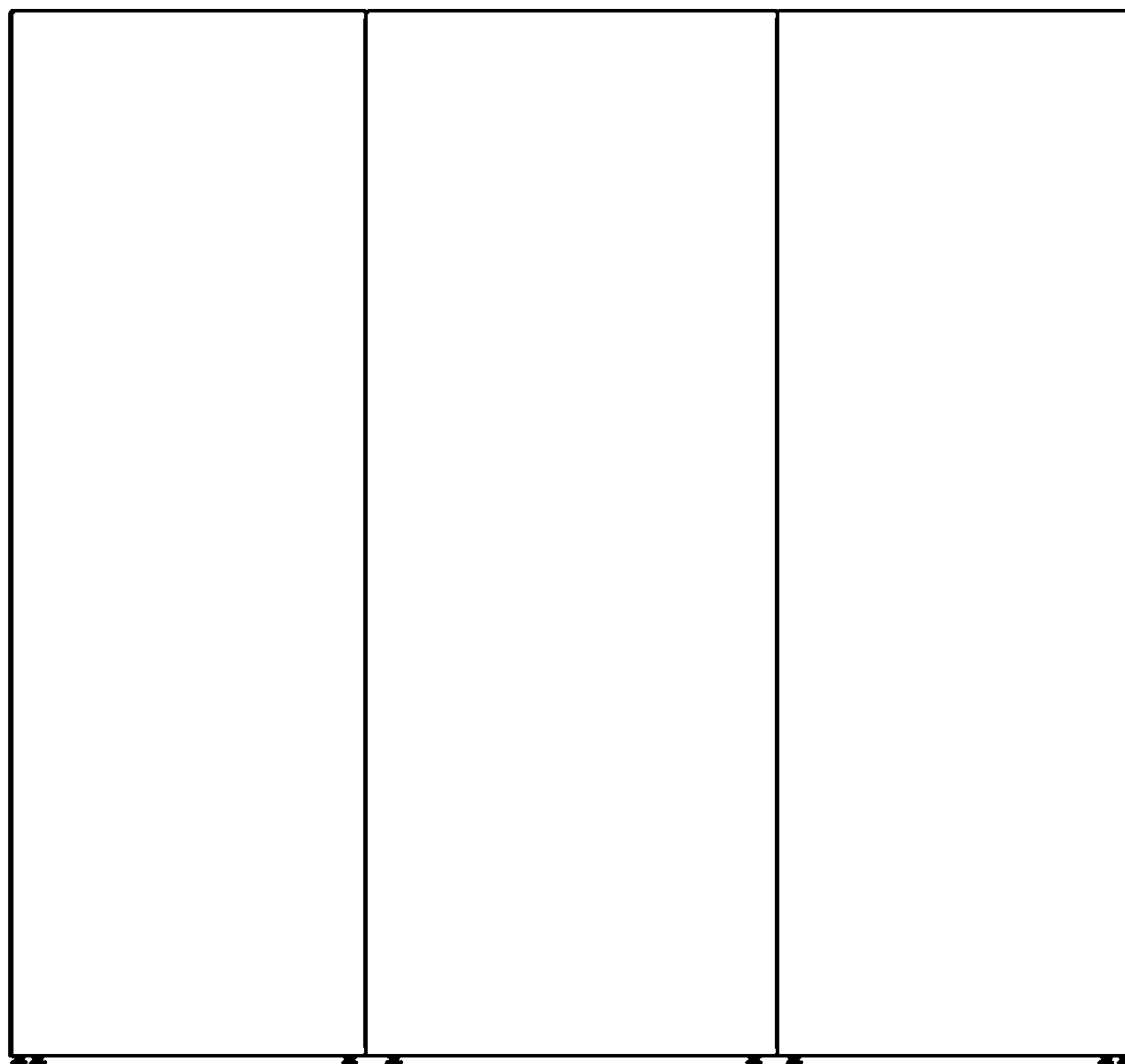


FIG. 6

