



US00D989980S

(12) **United States Design Patent** (10) **Patent No.:** **US D989,980 S**
Komann (45) **Date of Patent:** **** Jun. 20, 2023**

(54) **CONTAINER**

(71) Applicant: **SCHOTT Schweiz AG**, St. Gallen (CH)

(72) Inventor: **Christian Komann**, Speicher (CH)

(**) Term: **15 Years**

(21) Appl. No.: **35/514,891**

(22) Filed: **Feb. 7, 2022**

(80) **Hague Agreement Data**

Int. Filing Date: **Feb. 7, 2022**
Int. Reg. No.: **DM/221392**
Int. Reg. Date: **Feb. 7, 2022**
Int. Reg. Pub. Date: **Aug. 12, 2022**

(51) **LOC (14) Cl.** **24-02**

(52) **U.S. Cl.**
USPC **D24/229**
CPC **A61B 17/02 (2013.01)**

(58) **Field of Classification Search**

USPC D24/216, 217, 227-230
CPC ... A61B 17/02; A61B 17/0469; A61B 17/062;
A61B 17/1666; A61B 17/3213; A61B
50/20; A61B 50/22; A61B 50/33; A61B
50/34; A61C 15/043; A61C 15/046; A61C
9/0006; A61C 9/002; A61G 15/14; A61G
15/16; A61J 1/14; A61J 1/1406; A61J
1/1412; A61J 1/16; A61J 1/2093; A61L
2/02; A61L 2/07; A61L 2/20; A61L 2/26;
A61M 25/002; A61M 25/26; A61M
5/001; A61M 5/002; A61M 5/008; A61M
5/3202; A61M 5/3205; B25H 3/02; B25H
3/023; B25H 3/04; B25H 3/06; B65D
1/243; B65D 1/26; B65D 1/34; B65D
1/36; B65D 21/0202; B65D 21/0212;
B65D 21/022; B65D 21/0233; B65D
21/064; B65D 21/083; B65D 85/305;
B65D 85/322; B65D 85/324; B65D
85/36; B65D 85/42; B65D 85/505; G01N
21/03; G01N 21/0303; G01N 21/0332;

G01N 21/05; G01N 21/07; G01N 21/13;
G01N 21/253; G01N 21/51; G01N 21/76;
G01N 35/0092; G01N 35/025; G01N
35/04; G01N 35/10; G01N 35/1065;
G01N 35/1083

See application file for complete search history.

(56) **References Cited**

U.S. PATENT DOCUMENTS

D387,874 S *	12/1997	Vila	D24/227
D428,657 S *	7/2000	Ward	D24/229
D498,851 S *	11/2004	Halbich	D24/227
D533,948 S *	12/2006	Schaub	D24/229
D694,907 S *	12/2013	Okihara	D24/230
D694,908 S *	12/2013	Okihara	D24/230
D699,371 S *	2/2014	Williams	D24/230
D712,566 S *	9/2014	Hicks	D24/227
D745,698 S *	12/2015	Hage	D24/225
9,408,965 B2 *	8/2016	Christensen	B65D 25/108
D787,702 S *	5/2017	Kawamura	D24/227
D804,052 S *	11/2017	Dadachanji	D24/230
D818,604 S *	5/2018	Smith	D24/229
D840,052 S *	2/2019	Fawdington	D24/227

(Continued)

Primary Examiner — Richard E Chilcot

(57) **CLAIM**

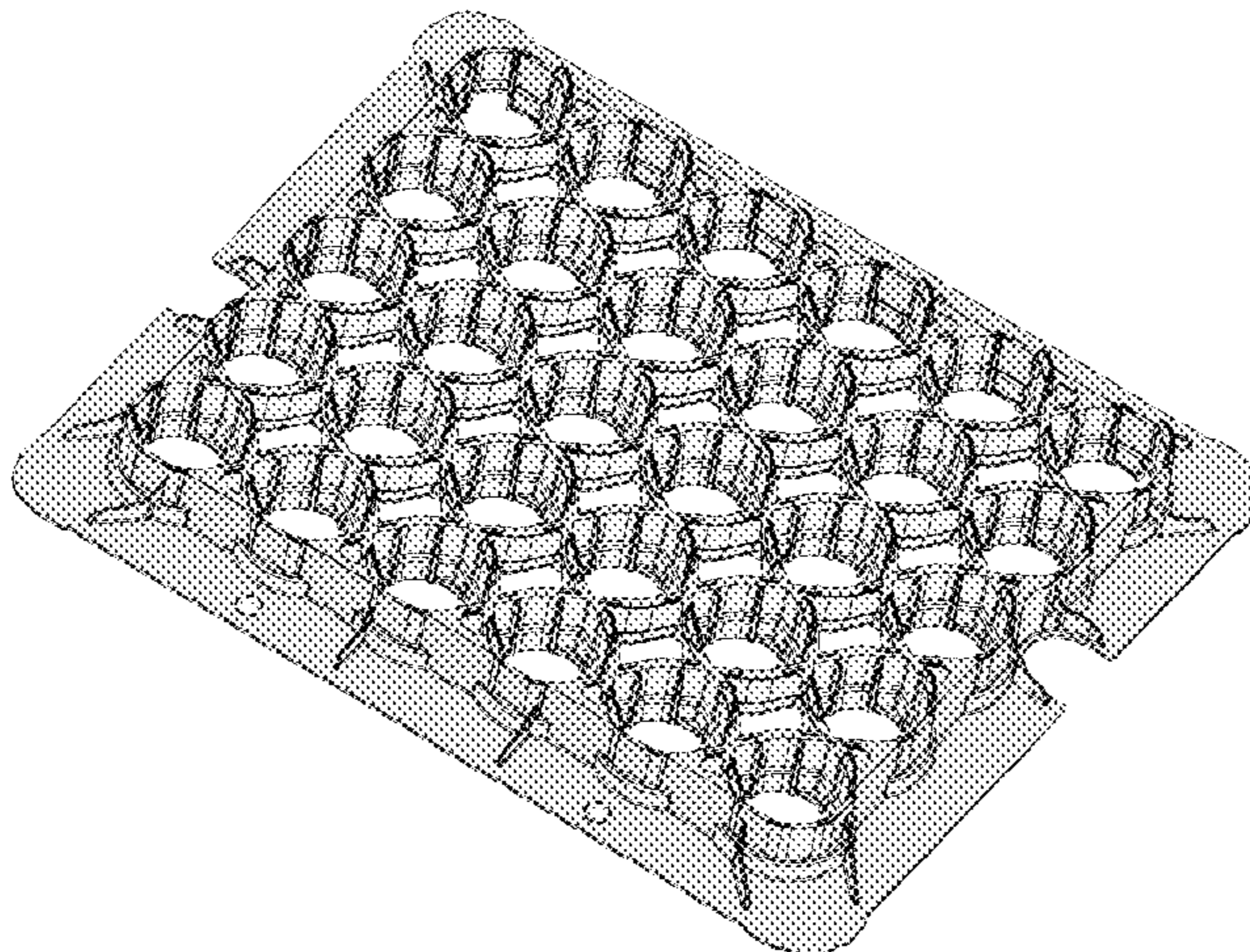
The ornamental design for a container, as shown and described.

DESCRIPTION

- 2. Container
- 2.1 : Perspective
- 2.2: Top
- 2.3 : Bottom
- 2.4: Front
- 2.5 : Back
- 2.6 : Right
- 2.7: Left

The representations of the design are in greyscale. The design does not claim protection for a specific coloring.

(Continued)



The broken lines in the Reproductions show portions of the product which form no part of the claimed design.

1 Claim, 7 Drawing Sheets

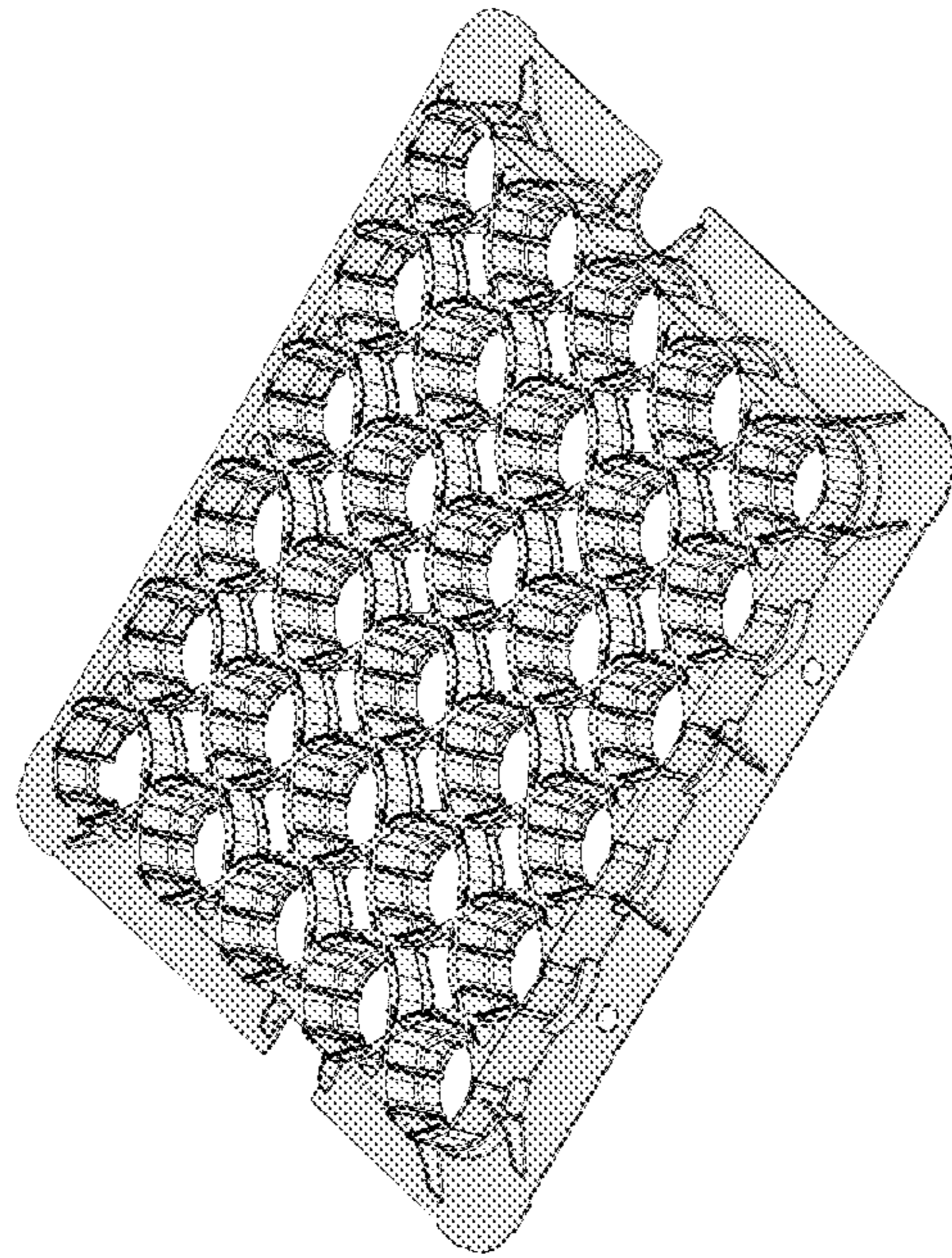
(56)

References Cited

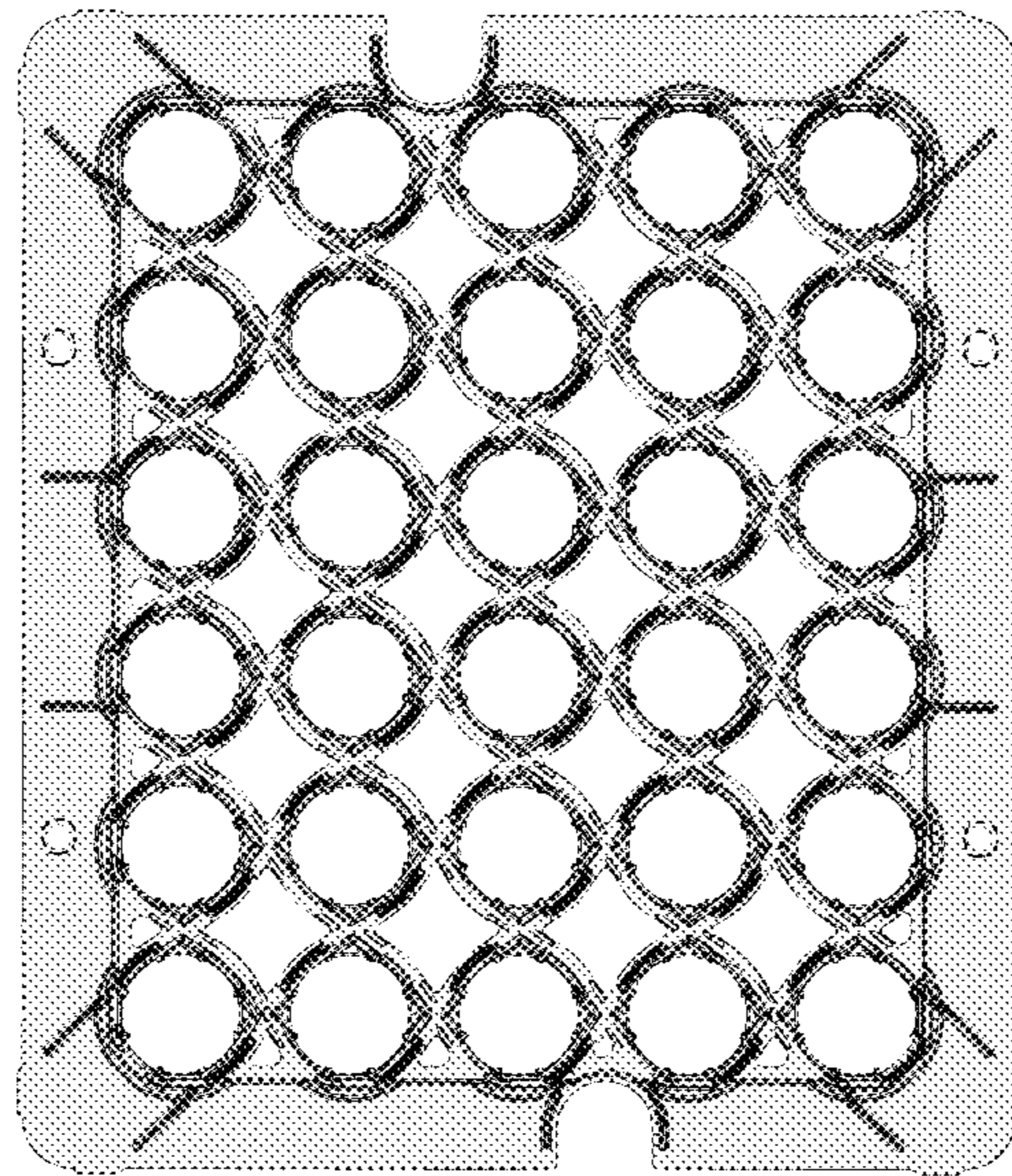
U.S. PATENT DOCUMENTS

10,227,161	B2 *	3/2019	Auerbach	A61M 5/008
D846,144	S *	4/2019	Fawdington	D24/224
D861,190	S *	9/2019	Potdar	D24/230
10,507,280	B2 *	12/2019	Okihara	A61B 50/30
D930,852	S *	9/2021	Rapier	D24/227
D934,447	S *	10/2021	Sitton	D24/227
D951,483	S *	5/2022	Potdar	D24/230
D957,682	S *	7/2022	Mendez Padilla	D24/229
D966,550	S *	10/2022	Rapier	D24/227
11,472,602	B2 *	10/2022	Komann	B01L 9/06
11,505,389	B2 *	11/2022	Wolf	B65D 77/26
11,518,596	B2 *	12/2022	Komann	B65D 25/103
11,548,687	B2 *	1/2023	Kusogullari	B65D 25/108
2013/0048531	A1 *	2/2013	Nicoletti	A61M 5/008
				206/557
2013/0186793	A1 *	7/2013	Gagnieux	A61M 5/002
				206/364
2014/0190861	A1 *	7/2014	Carrel	B01L 9/06
				206/518
2015/0108020	A1 *	4/2015	Iwase	A61M 5/008
				206/365
2015/0183541	A1 *	7/2015	Deutschle	A61L 2/208
				206/439
2018/0126066	A1 *	5/2018	Narvekar	A61J 1/062

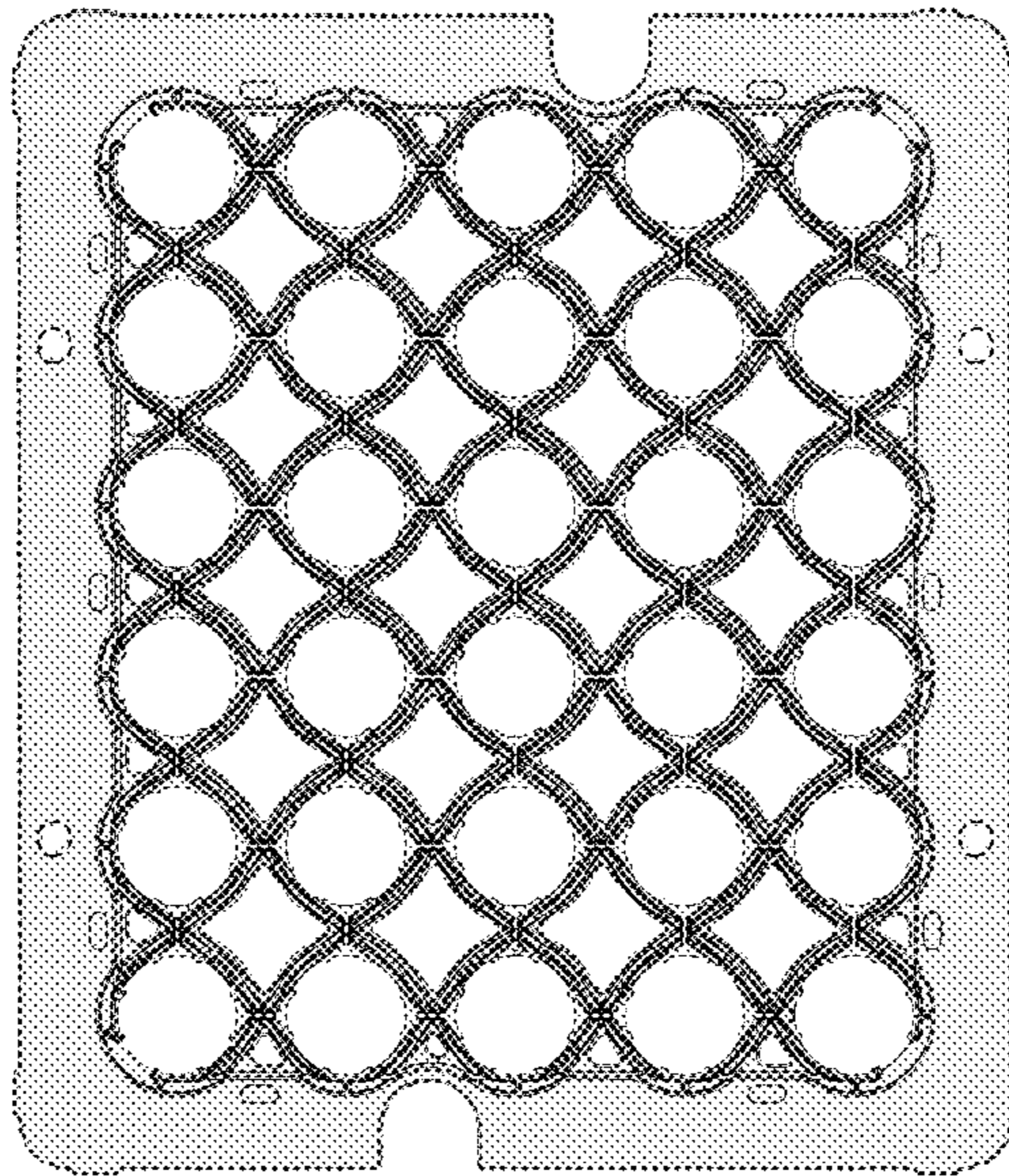
* cited by examiner



2.1



2.2



2.3



2.4



2.5



2.6



2.7