



US00D989978S

(12) **United States Design Patent**
Fang

(10) **Patent No.:** **US D989,978 S**
(45) **Date of Patent:** **** Jun. 20, 2023**

- (54) **EXTRACTION TUBE HOLDER**
- (71) Applicant: **Zhejiang Orient Gene Biotech Co., Ltd, Zhejiang (CN)**
- (72) Inventor: **Jianqiu Fang, Zhejiang (CN)**
- (73) Assignee: **ZHEJIANG ORIENT GENE BIOTECH CO., LTD, Huzhou (CN)**

D956,263	S	*	6/2022	Beckett	D24/226
D956,349	S	*	6/2022	Goradesky	D27/187
D959,019	S	*	7/2022	Hawkins	D24/227
D960,388	S	*	8/2022	Fang	D24/224

FOREIGN PATENT DOCUMENTS

EM	008508998-0001	*	5/2021
EM	008508998-0002	*	5/2021
EM	008508998-0004	*	5/2021

- (**) Term: **15 Years**
- (21) Appl. No.: **29/797,203**
- (22) Filed: **Jun. 29, 2021**
- (30) **Foreign Application Priority Data**

Mar. 18, 2021 (CN) 202130145414.4

- (51) **LOC (14) Cl.** **24-02**
- (52) **U.S. Cl.**
USPC **D24/227**
- (58) **Field of Classification Search**
USPC D24/128, 231, 232, 227
CPC B65D 25/108; B01L 3/0217; B01L 9/543;
B01L 3/0279
See application file for complete search history.

(56) **References Cited**

U.S. PATENT DOCUMENTS

D448,854	S	*	10/2001	Kuiper	D24/227
D450,130	S	*	11/2001	Goldstein	D24/227
D632,404	S	*	2/2011	Karpiloff	D24/230
D698,496	S	*	1/2014	Smith	D7/510
D735,881	S	*	8/2015	Thomas	D24/227
D787,087	S	*	5/2017	Duffy	D24/227
D898,941	S	*	10/2020	Ollar	D24/227
D902,433	S	*	11/2020	Livingston	D24/227
D902,434	S	*	11/2020	Livingston	D24/227
D932,052	S	*	9/2021	Zergiebel	D24/227
D954,990	S	*	6/2022	Thomas	D24/227

OTHER PUBLICATIONS

Celltreat Plastic 50 ML Centrifuge Tube Racks, Morgansville Scientific, morganvillescisci.com/, [Postdate: unknown], [Site seen Jan. 23, 2023], Seen at URL: <https://morganvillescisci.com/shop/celltreat-products/tube-racks-celltreat-products/celltreat-plastic-50-ml-centrifuge-tube-racks/> (Year: 2023).*

(Continued)

Primary Examiner — Natasha Vujcic
Assistant Examiner — Gilbert B Ford
(74) *Attorney, Agent, or Firm* — NZ Carr Law Office

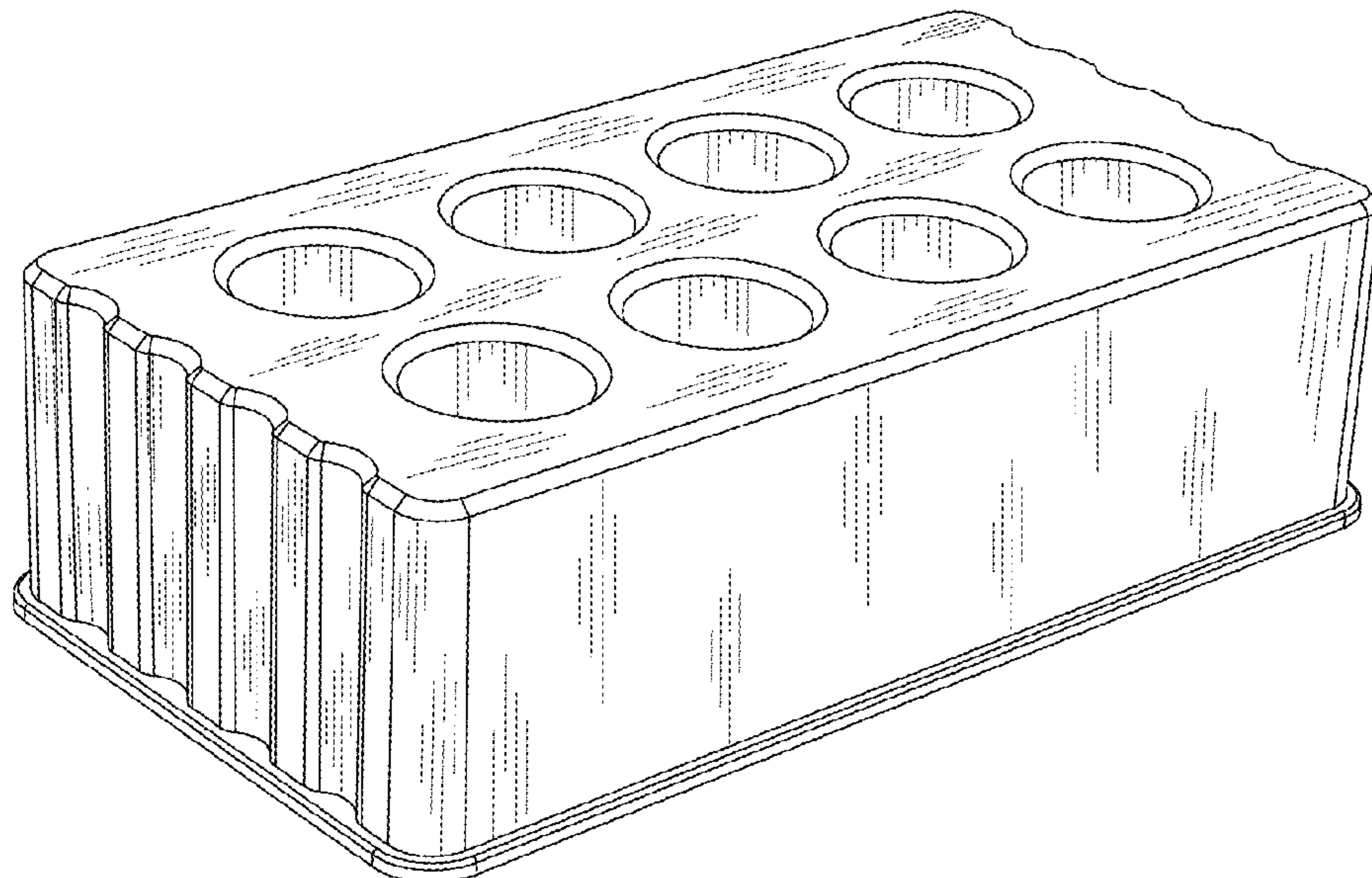
(57) **CLAIM**

The ornamental design for an extraction tube holder, as shown and described.

DESCRIPTION

FIG. 1 is a front view of an extraction tube holder of our design;
FIG. 2 is a rear view thereof;
FIG. 3 is a left side view thereof;
FIG. 4 is a right side view thereof;
FIG. 5 is a top view thereof;
FIG. 6 is a bottom view thereof;
FIG. 7 is a top front perspective view thereof; and,
FIG. 8 is a bottom rear perspective view thereof.
All broken lines represent portions of the extraction tube holder that form no part of the claimed subject matter.

1 Claim, 8 Drawing Sheets



(56)

References Cited

OTHER PUBLICATIONS

Ohaus 30400202 Single Tube Holder, Hogentogler & Co. Inc.,
hogentogler.com, [Postdate unknown], [Site seen Jan. 23, 2023],
Seen at URL: https://www.hogentogler.com/pc_product_detail.asp
(Year: 2023).*

* cited by examiner

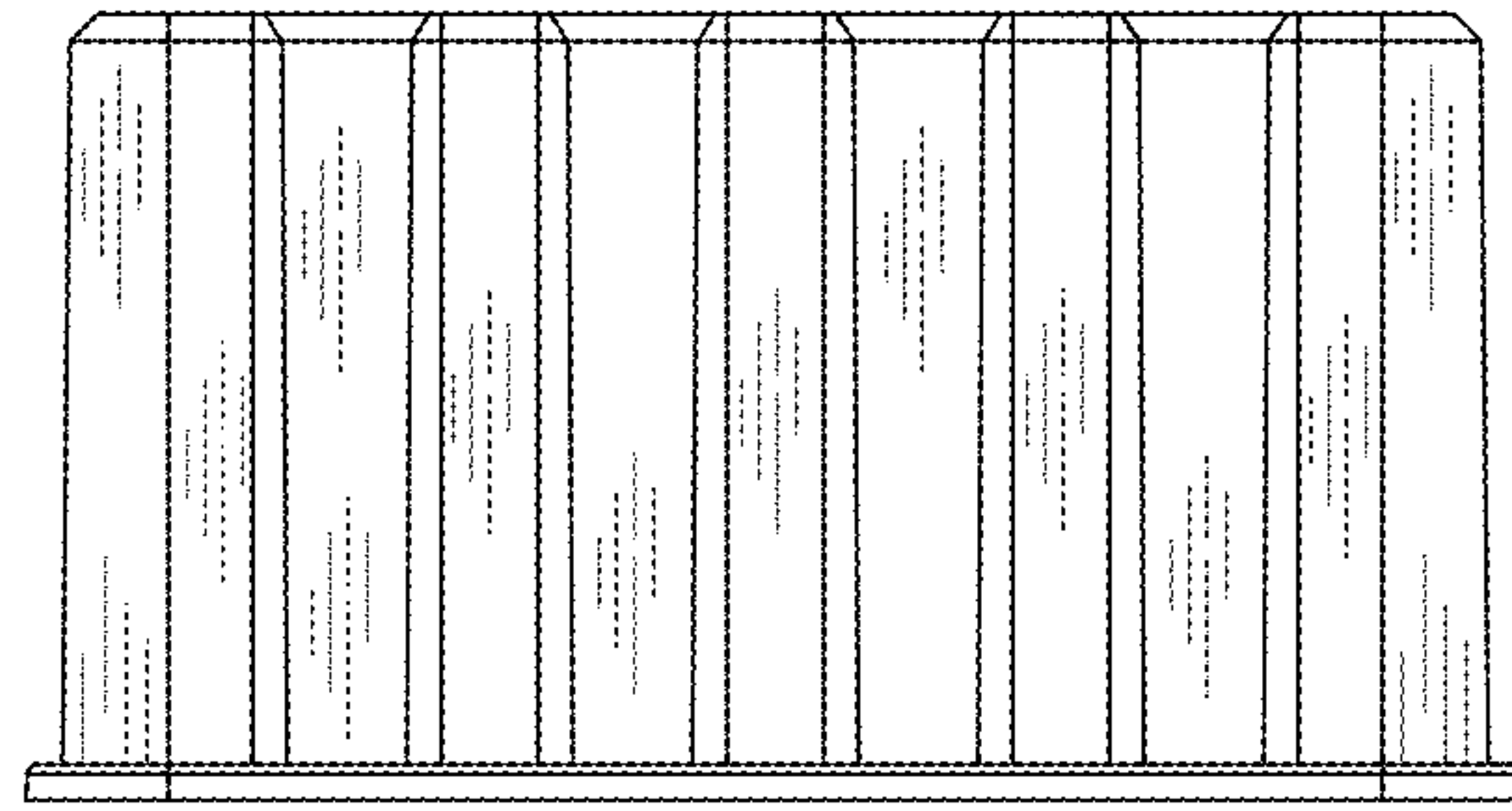


FIG.1

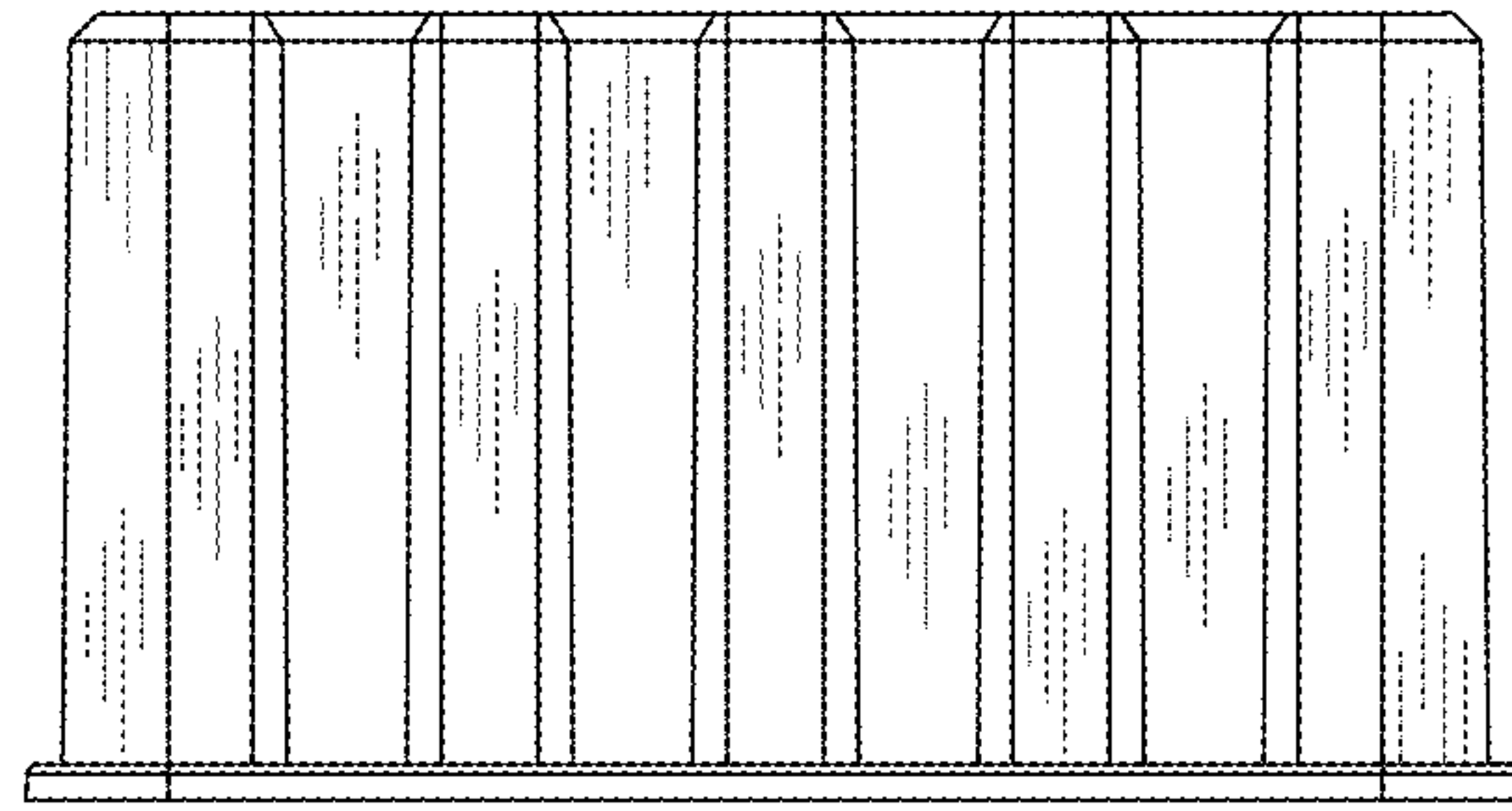


FIG.2

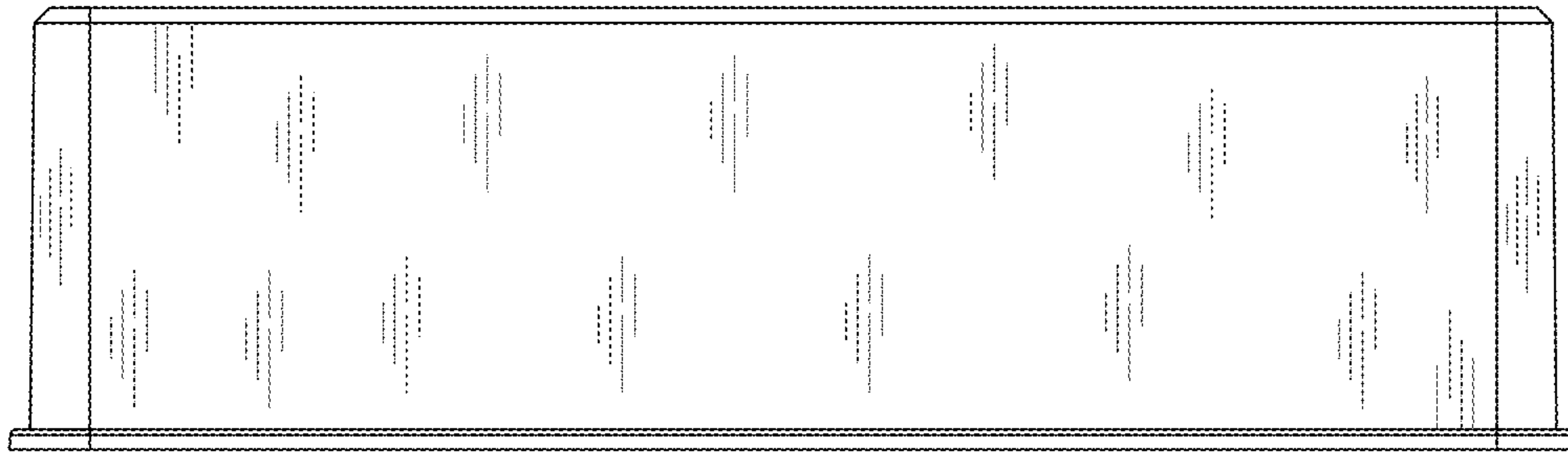


FIG.3

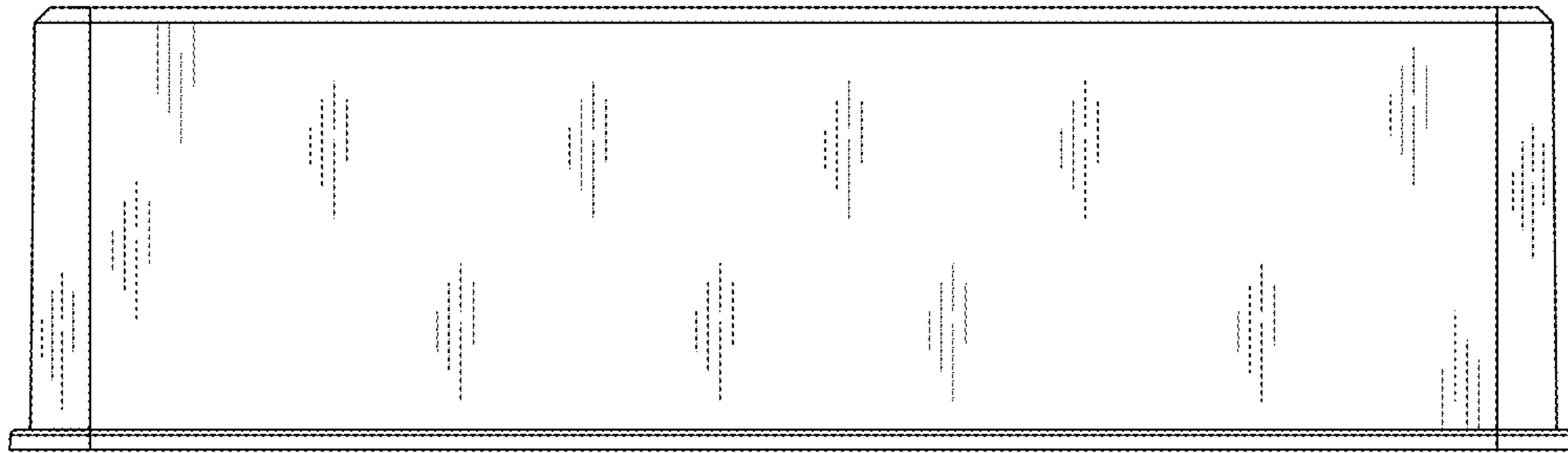


FIG.4

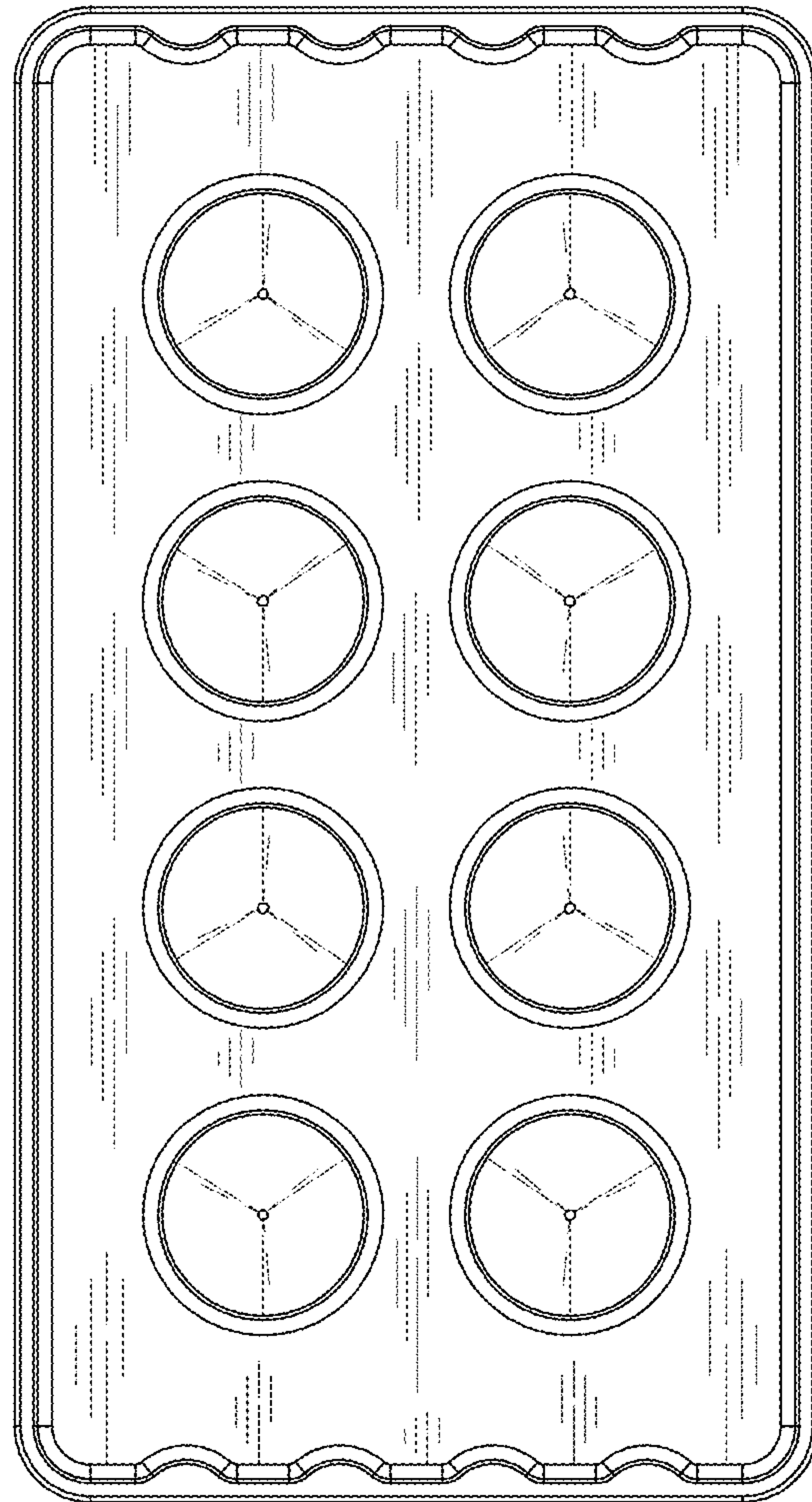


FIG.5

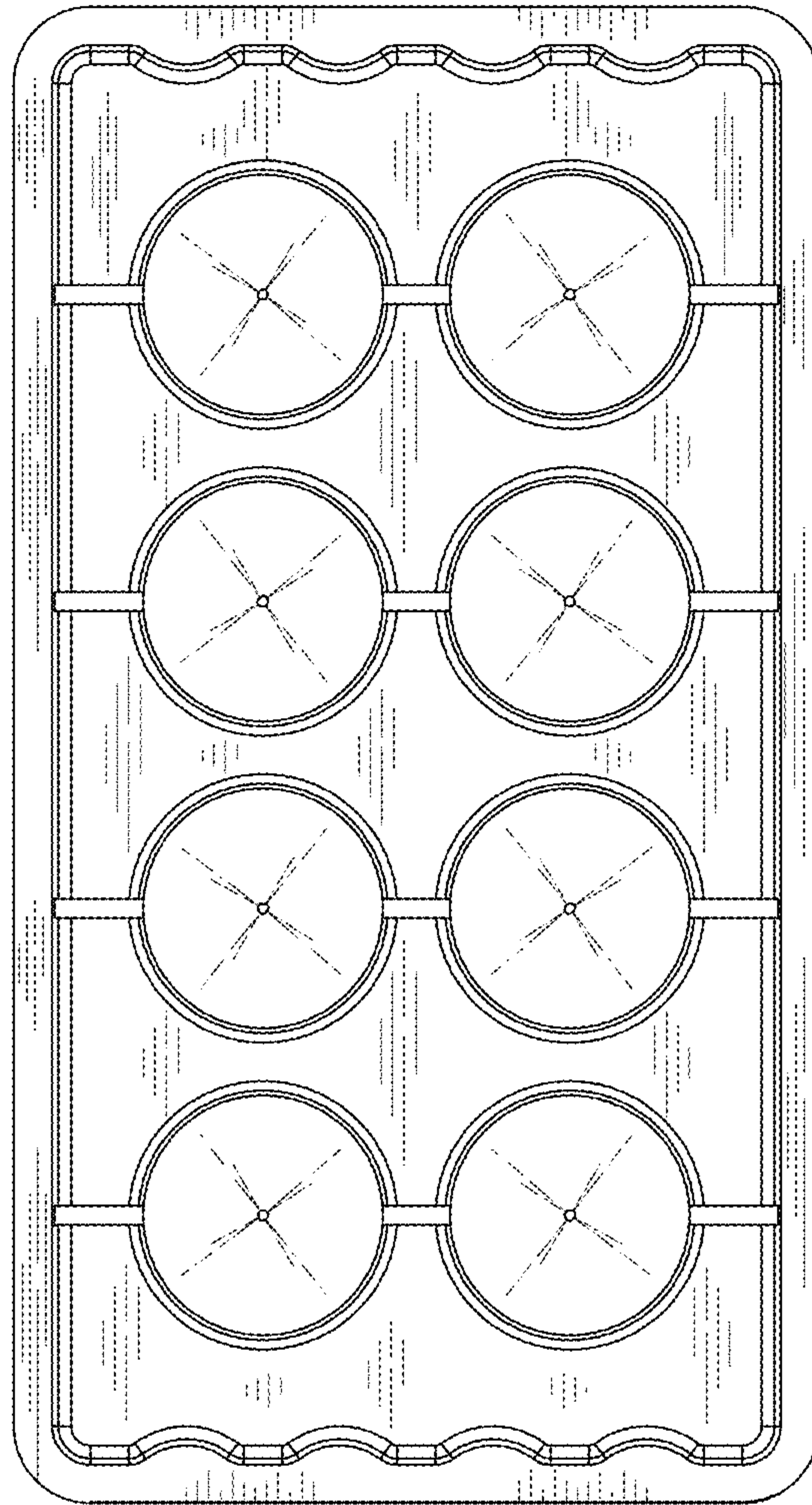


FIG.6

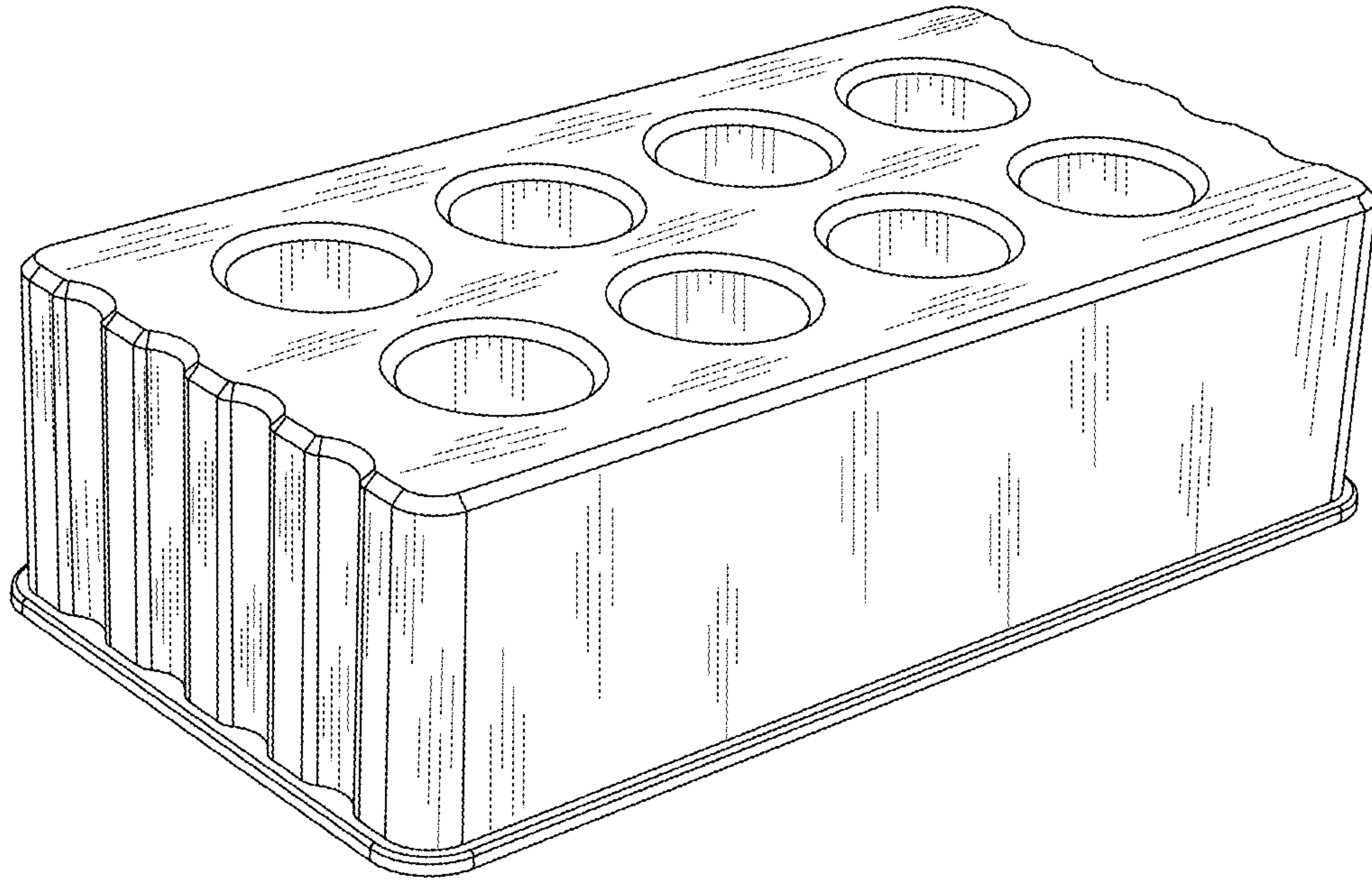


FIG.7

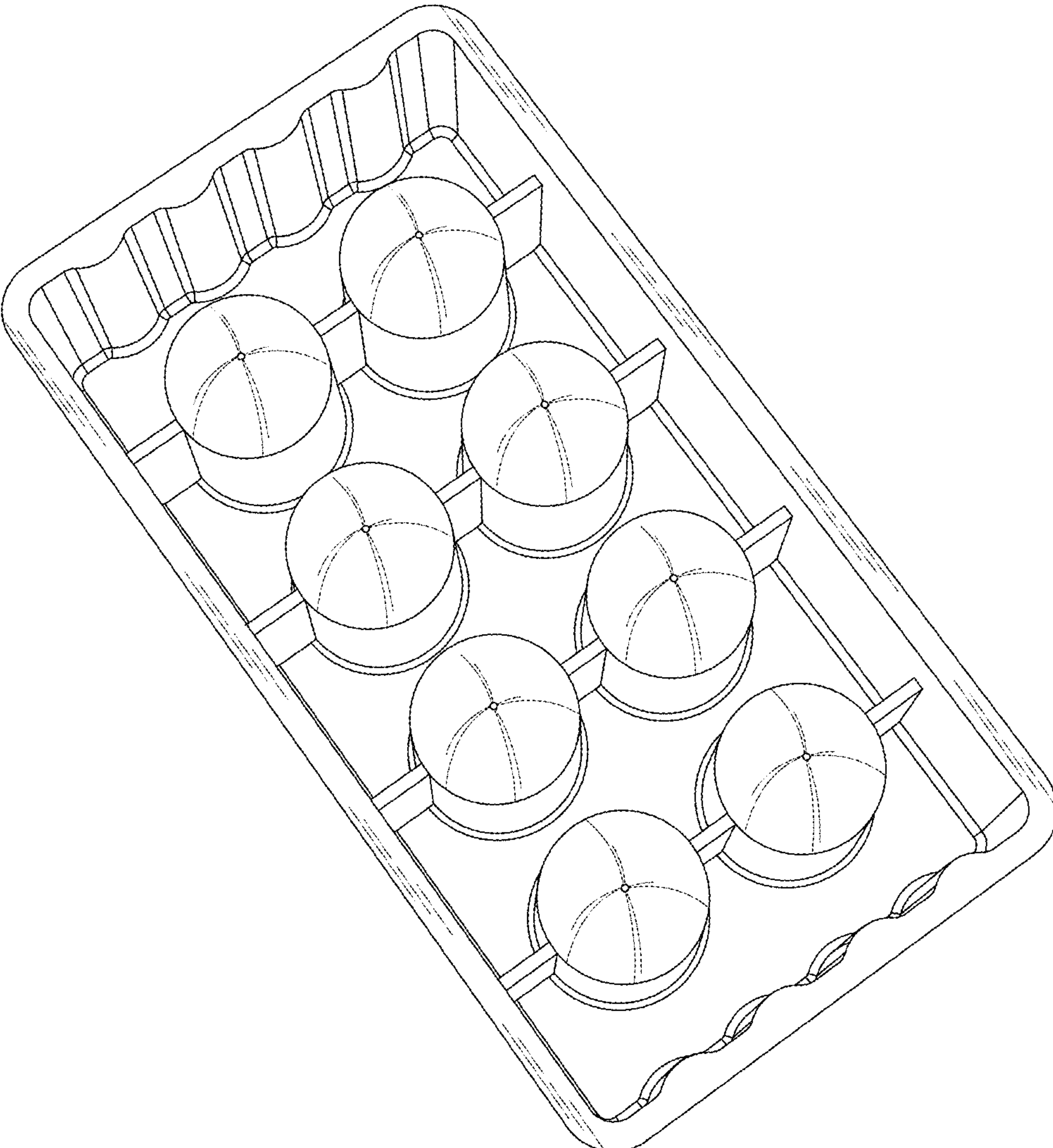


FIG.8