



US00D989977S

(12) **United States Design Patent**  
**Haglund**

(10) **Patent No.:** **US D989,977 S**  
(45) **Date of Patent:** **\*\* Jun. 20, 2023**

(54) **CONTROL UNIT FOR COMPRESSIONAL WAVE MASSAGE APPARATUS FOR WELLNESS**

(71) Applicant: **Wellcosan GmbH**, Schlüchtern (DE)

(72) Inventor: **Sebastian Haglund**, Jakobstad (FI)

(73) Assignee: **Wellcosan GmbH**, Schlüchtern (DE)

(\*\*) Term: **15 Years**

(21) Appl. No.: **35/513,783**

(22) Filed: **Jan. 26, 2022**

(80) **Hague Agreement Data**

Int. Filing Date: **Jan. 26, 2022**

Int. Reg. No.: **DM/219231**

Int. Reg. Date: **Jan. 26, 2022**

Int. Reg. Pub. Date: **Mar. 11, 2022**

(30) **Foreign Application Priority Data**

Aug. 2, 2021 (EM) ..... 008637490-0001

(51) **LOC (14) Cl.** ..... **24-01**

(52) **U.S. Cl.**  
USPC ..... **D24/215**

(58) **Field of Classification Search**

USPC ..... D24/141, 200, 211, 212, 213, 214, 215;  
D11/167; D28/7, 85, 88; D30/160

CPC ..... A61H 39/04; A61H 15/00; A61H  
2015/0014; A61H 23/006; A61H 15/0085;  
A61H 19/44; A61H 19/34; A61H 21/00;  
A61H 19/40; A61H 13/00; A61H  
2205/087; A61H 19/32; A61H 2203/0468

See application file for complete search history.

(56) **References Cited**

**U.S. PATENT DOCUMENTS**

D532,936 S \* 11/2006 Bakic ..... D9/504

D592,313 S \* 5/2009 Levine ..... D24/214

D632,017 S \* 2/2011 Lee ..... D28/89  
D771,317 S \* 11/2016 Pires ..... D28/76  
D784,613 S \* 4/2017 May ..... D28/7  
D836,791 S \* 12/2018 Tarashchansky ..... D24/215  
D854,699 S \* 7/2019 Peterson ..... D24/214  
D854,744 S \* 7/2019 Tanaka ..... D28/7  
D889,745 S \* 7/2020 Langdon ..... D28/7  
D932,011 S \* 9/2021 Wang ..... D24/151  
D932,104 S \* 9/2021 Fornarelli ..... D28/85  
D932,622 S \* 10/2021 Wang ..... D24/151  
D935,104 S \* 11/2021 Maddox ..... D28/85  
D937,490 S \* 11/2021 Matsuishi ..... D28/85  
D949,386 S \* 4/2022 Chang ..... D24/215  
D954,343 S \* 6/2022 Kobayashi ..... D28/7  
D957,665 S \* 7/2022 Hu ..... D24/215

\* cited by examiner

*Primary Examiner* — Michael A Maharajh

(74) *Attorney, Agent, or Firm* — Paul D. Bianco; Fleit  
Intellectual Property Law

(57) **CLAIM**

The ornamental design for a control unit for compressional wave massage apparatus for wellness, as shown and described.

**DESCRIPTION**

FIG. 1.1 is a rear elevational view of a control unit for compressional wave massage apparatus for wellness showing our new design;

FIG. 1.2 is a bottom plan view shown at an enlarged scale thereof;

FIG. 1.3 is a front elevational view thereof;

FIG. 1.4 is a right-side view thereof;

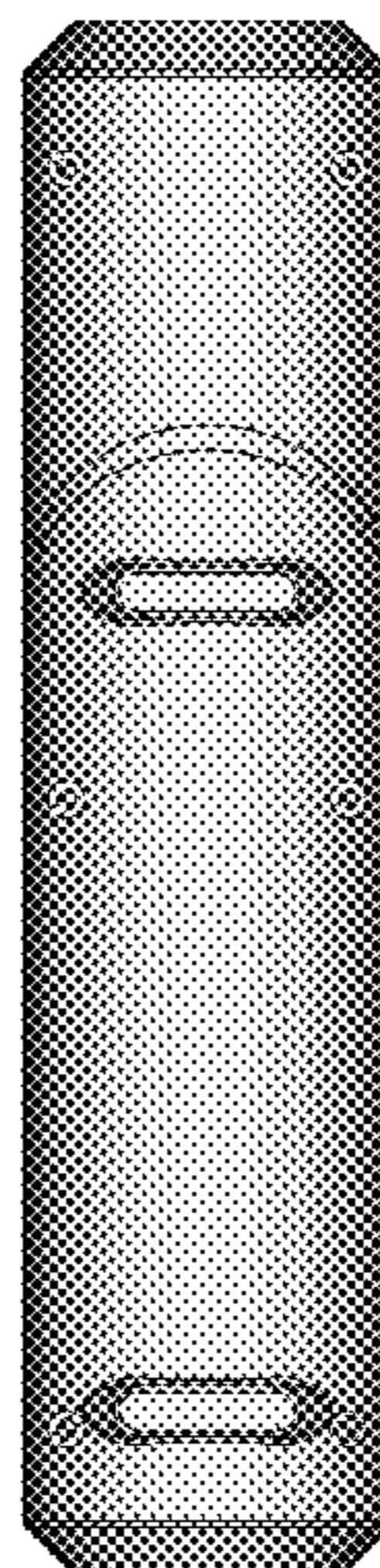
FIG. 1.5 is a top perspective view thereof;

FIG. 1.6 is a left view thereof; and

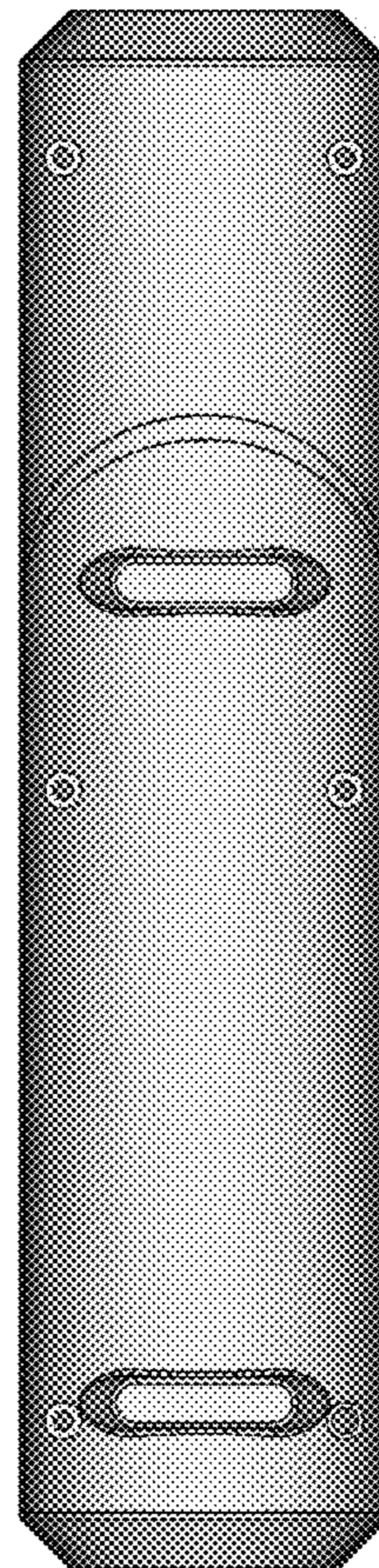
FIG. 1.7 is a top plan view thereof.

The broken lines shown in the figures are for the purposes of illustrating portions of the control unit for compressional wave massage apparatus for wellness which form no part of the claimed design.

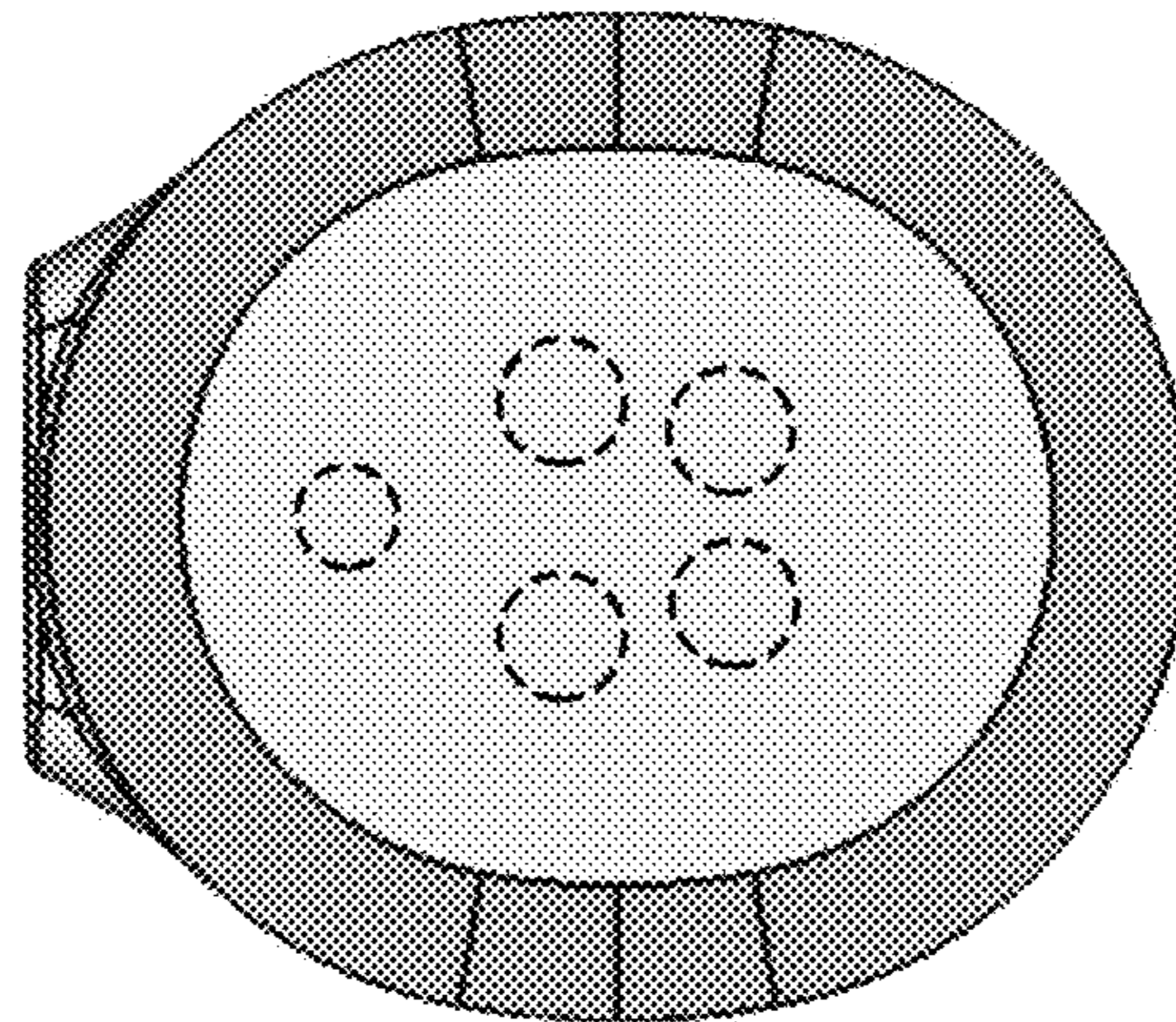
**1 Claim, 7 Drawing Sheets**



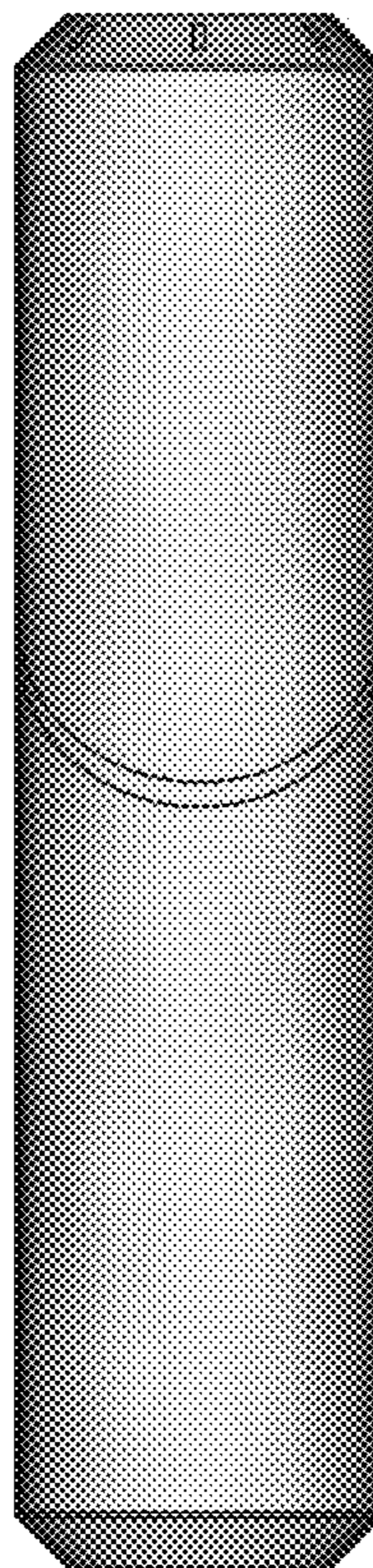
1.1



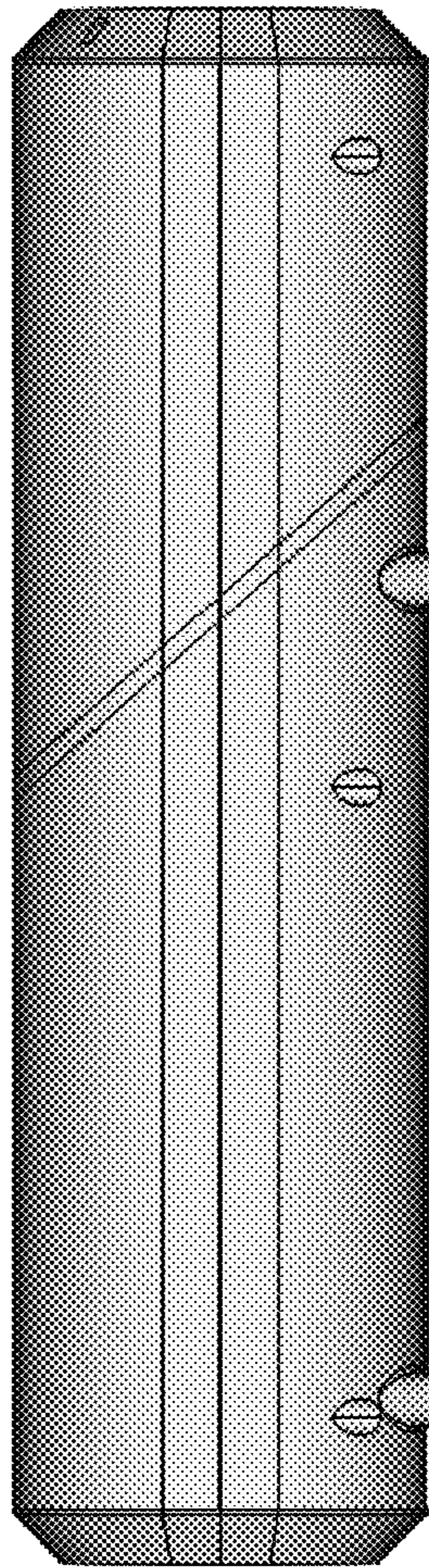
1.2



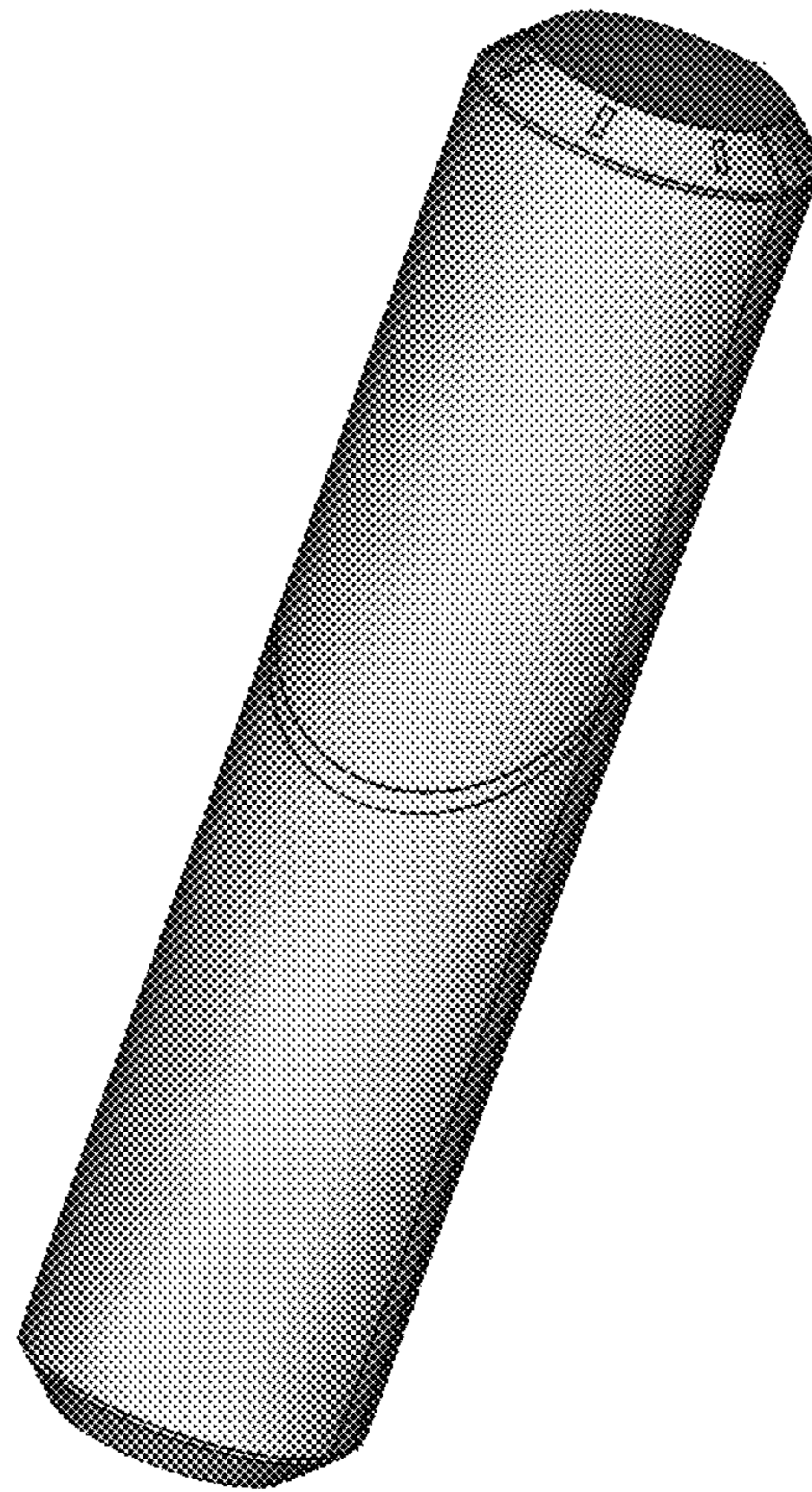
1.3



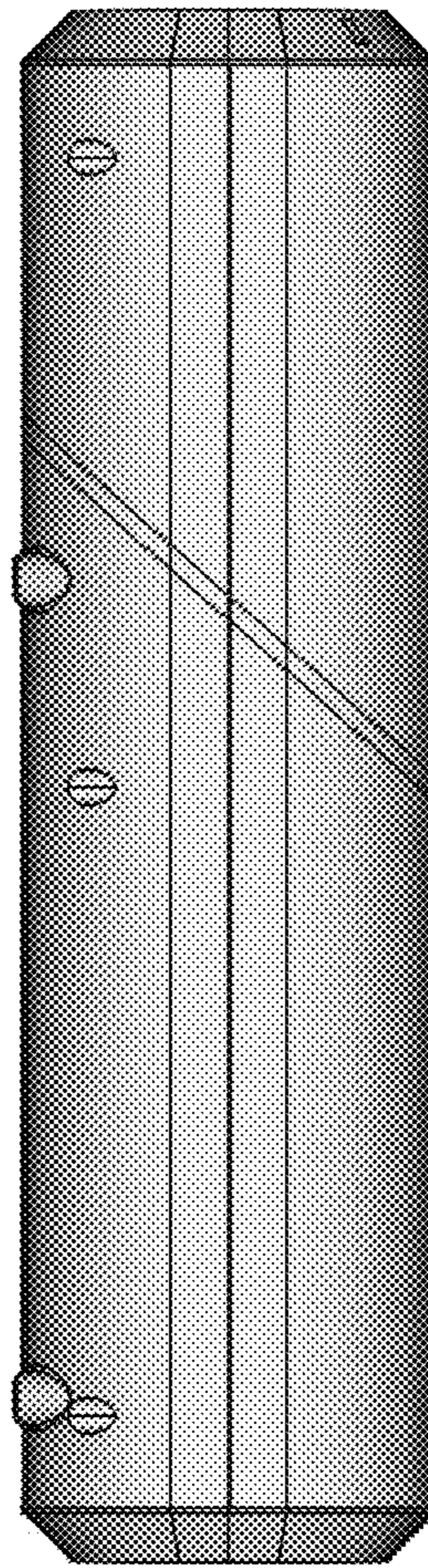
1.4



1.5



1.6



1.7

