



US00D989976S

(12) **United States Design Patent**  
**Wen**

(10) **Patent No.:** **US D989,976 S**  
(45) **Date of Patent:** **\*\* Jun. 20, 2023**

(54) **BACK COVER OF MASSAGE GUN**

(71) Applicant: **Liang Wen**, Jiangxi (CN)

(72) Inventor: **Liang Wen**, Jiangxi (CN)

(\*\*) Term: **15 Years**

(21) Appl. No.: **29/862,591**

(22) Filed: **Dec. 9, 2022**

(51) **LOC (14) Cl.** ..... **24-01**

(52) **U.S. Cl.**  
USPC ..... **D24/215**

(58) **Field of Classification Search**  
USPC ..... D24/200, 211, 212, 213, 214, 215;  
D8/14.1; D28/13  
CPC ..... A61H 23/006; A61H 2201/0157; A61H  
23/00; A61H 2201/0153; A61H  
2201/0165  
See application file for complete search history.

(56) **References Cited**

**U.S. PATENT DOCUMENTS**

D926,338 S	7/2021	Xu	
D929,601 S	8/2021	Lin	
D938,056 S	* 12/2021	Wu	..... D24/215
D952,940 S	* 5/2022	Mo	..... D28/13
D975,871 S	* 1/2023	Liu	..... D24/215

**OTHER PUBLICATIONS**

Amazon, "RAEMAO Massage Gun", Date First Available: Feb. 19, 2022. <https://www.amazon.com/RAEMAO-Electric-Massager-Percussion-Athletes/dp/B0BC1GS34Q?th=1> (Year: 2022).\*

\* cited by examiner

*Primary Examiner* — Michael A Maharajh  
(74) *Attorney, Agent, or Firm* — ScienBiziP, P.C.

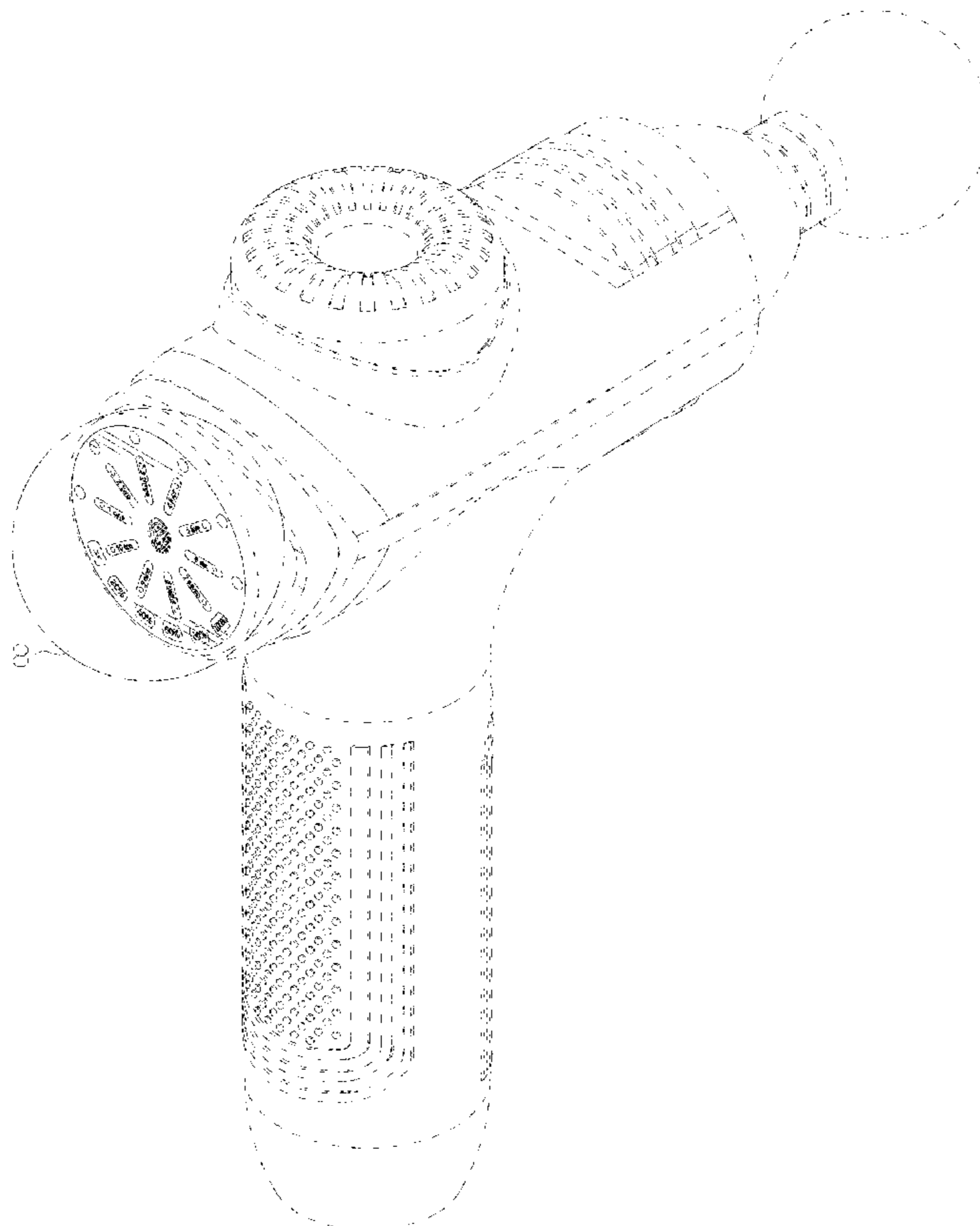
(57) **CLAIM**

The ornamental design for a back cover of massage gun, as shown and described.

**DESCRIPTION**

FIG. 1 is a rear, right and top perspective view of a back cover of massage gun, showing my design.  
FIG. 2 is a front elevation view thereof.  
FIG. 3 is a rear elevation view thereof.  
FIG. 4 is a left side elevation view thereof.  
FIG. 5 is a right side elevation view thereof.  
FIG. 6 is a top plan view thereof.  
FIG. 7 is a bottom plan view thereof; and,  
FIG. 8 is an enlarged view of detail 8 in FIG. 1.  
The evenly-dashed broken lines depict portions of the back cover of massage gun that form no part of the claimed design. The dot-dash broken lines in FIGS. 1 and 8 depict the boundaries of the enlargements that form no part of the claimed design.

**1 Claim, 8 Drawing Sheets**



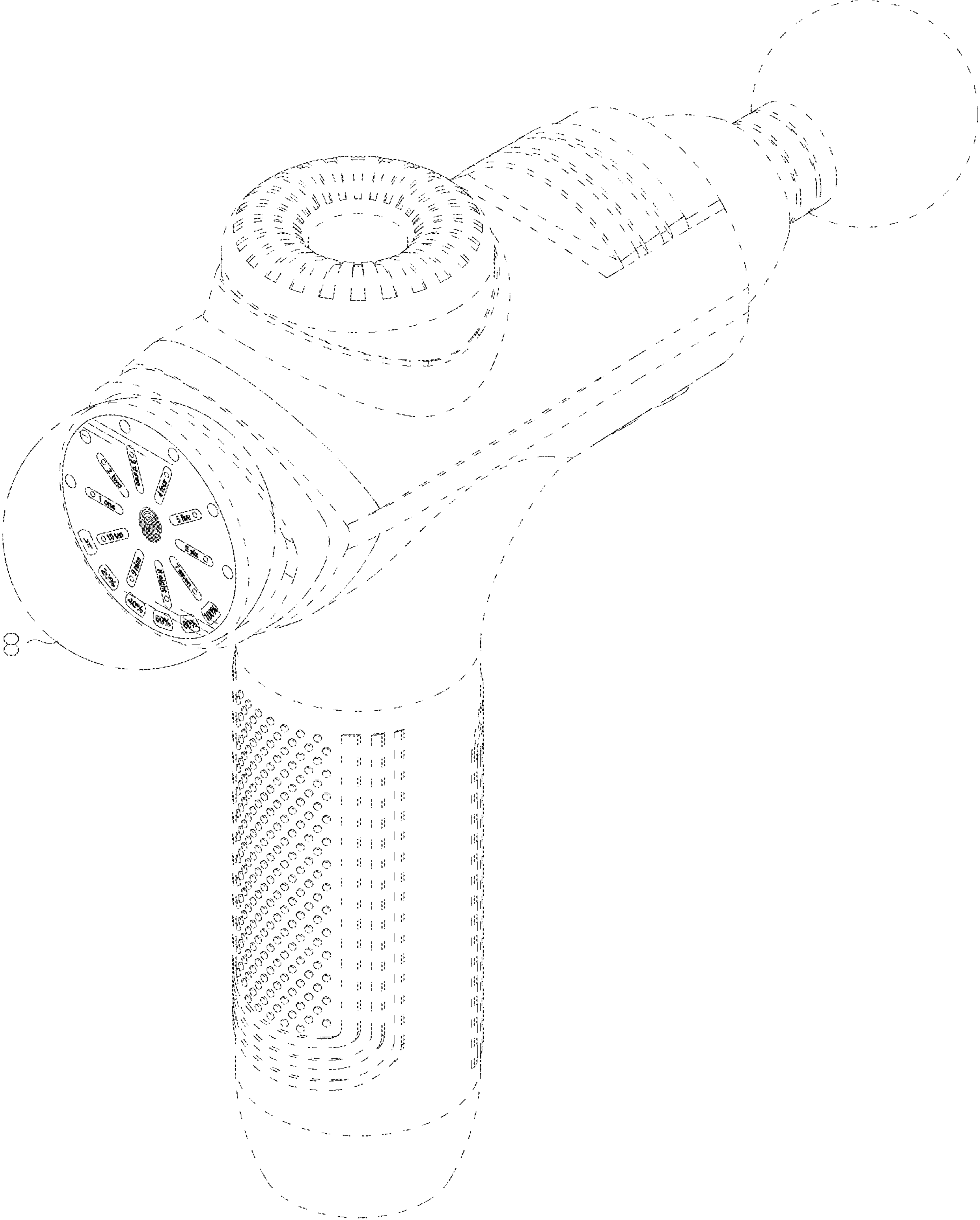


FIG.1

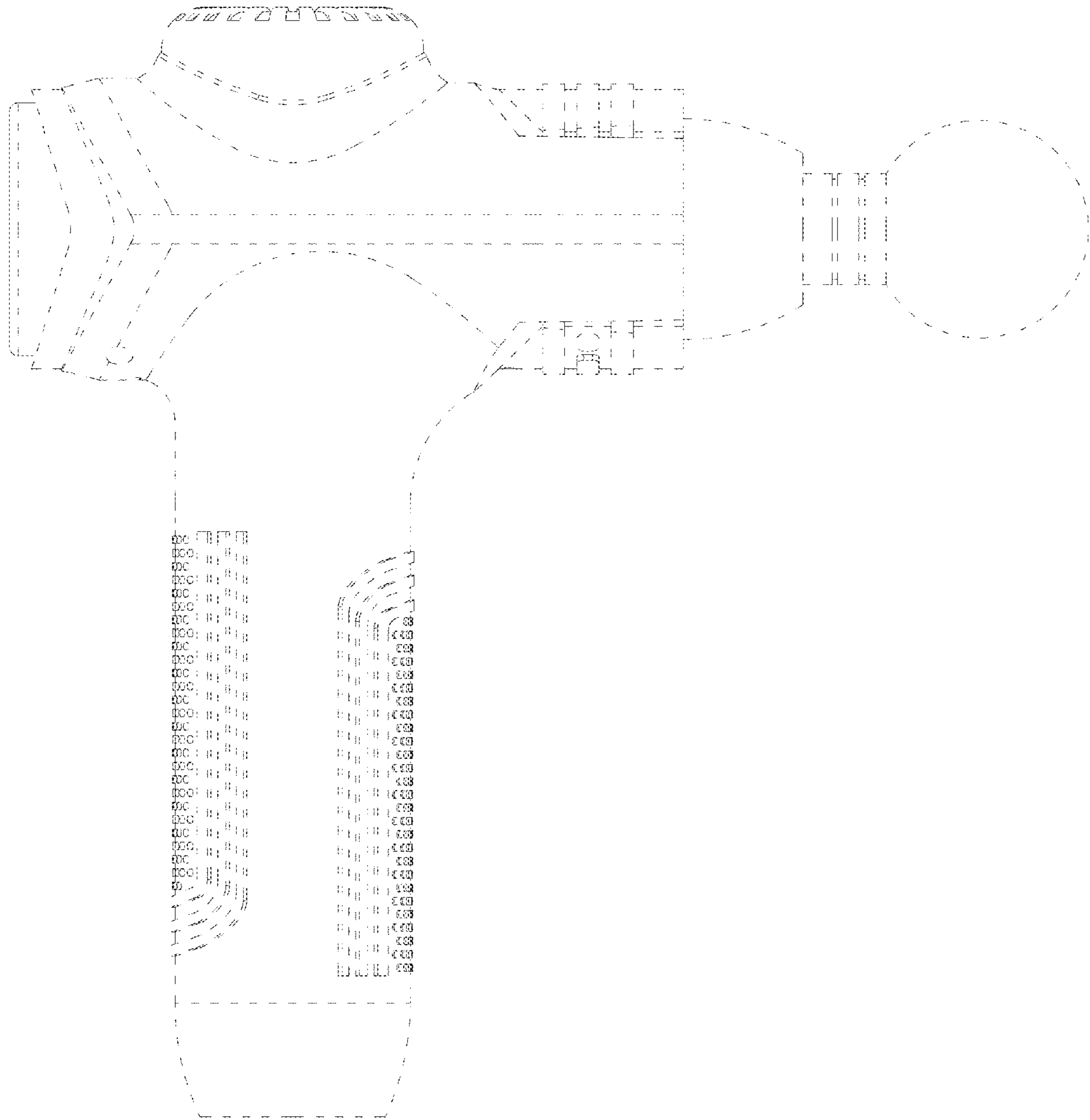


FIG.2

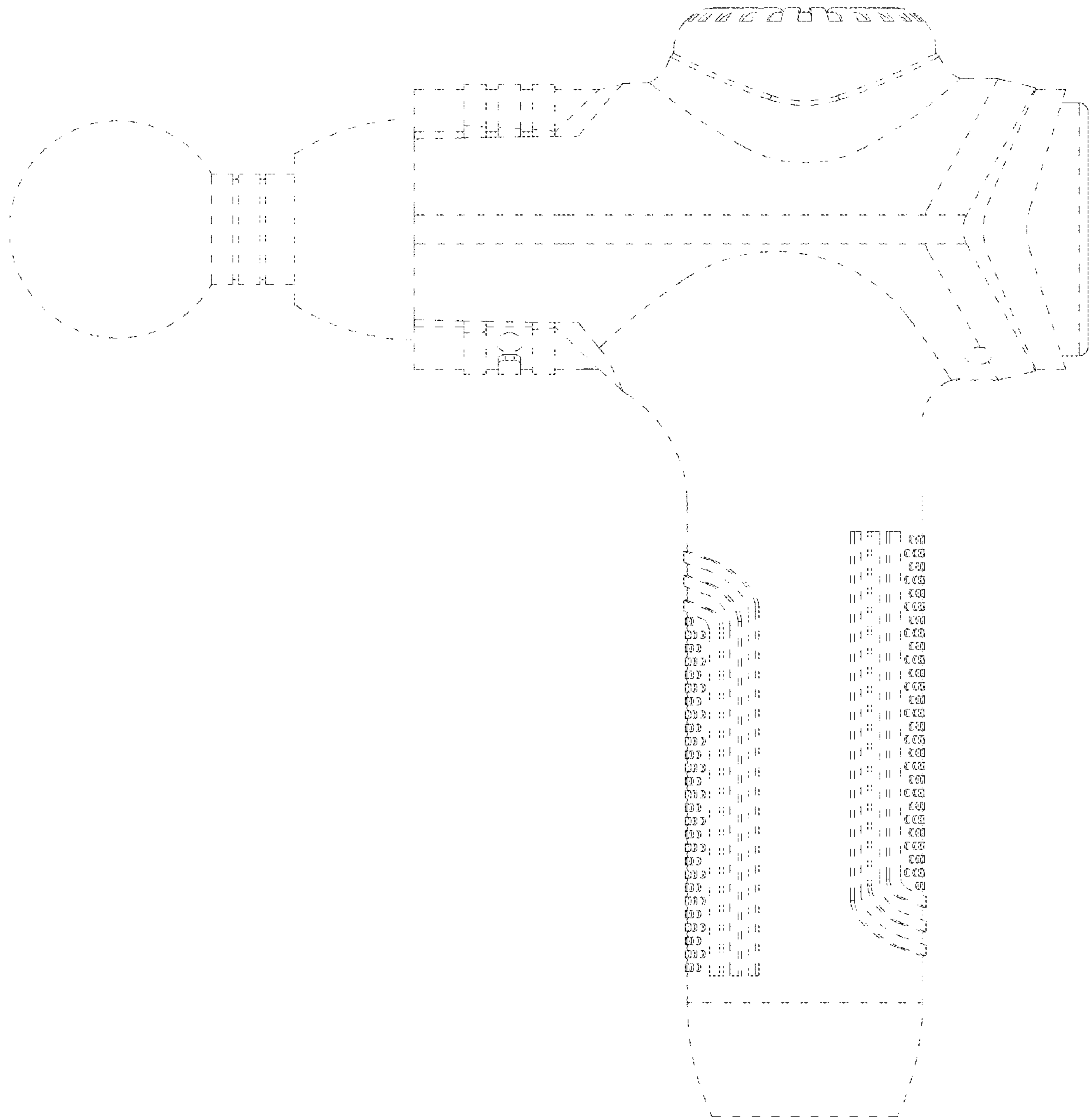


FIG.3

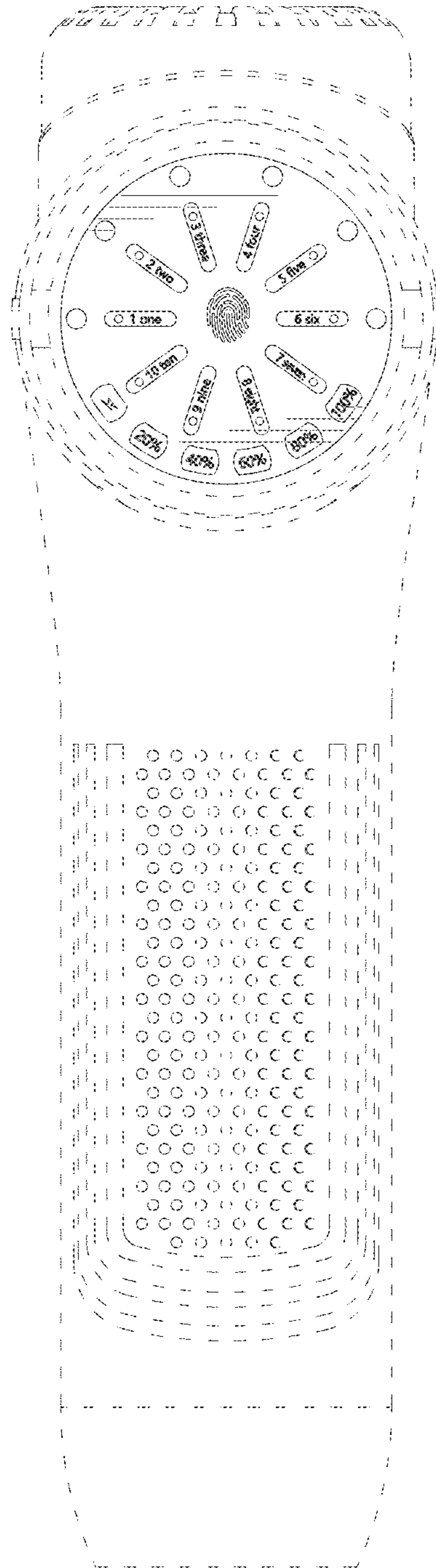


FIG.4

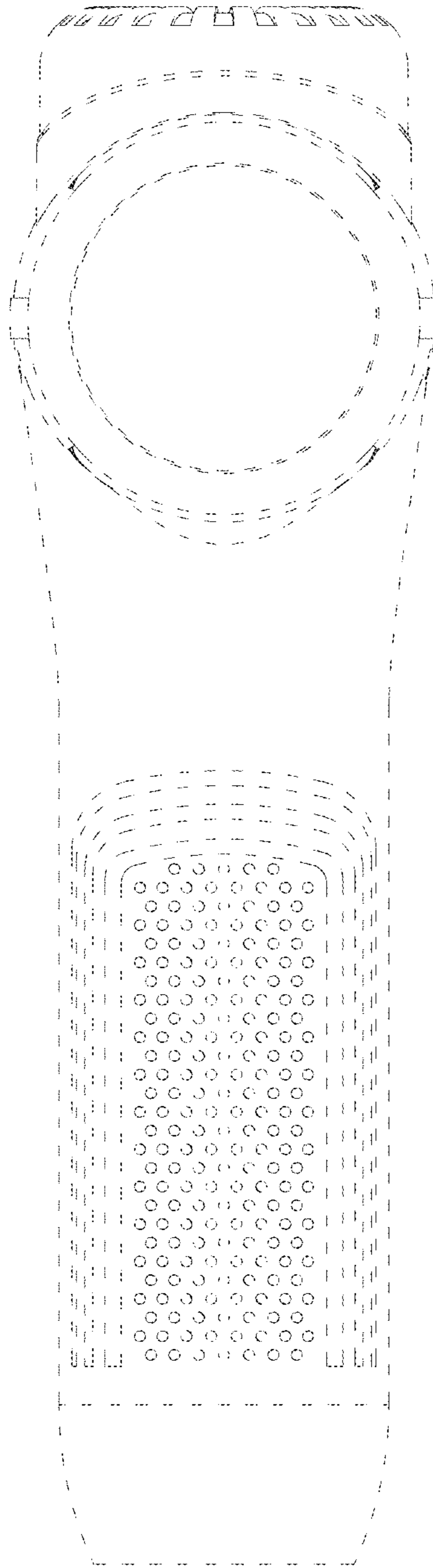


FIG.5

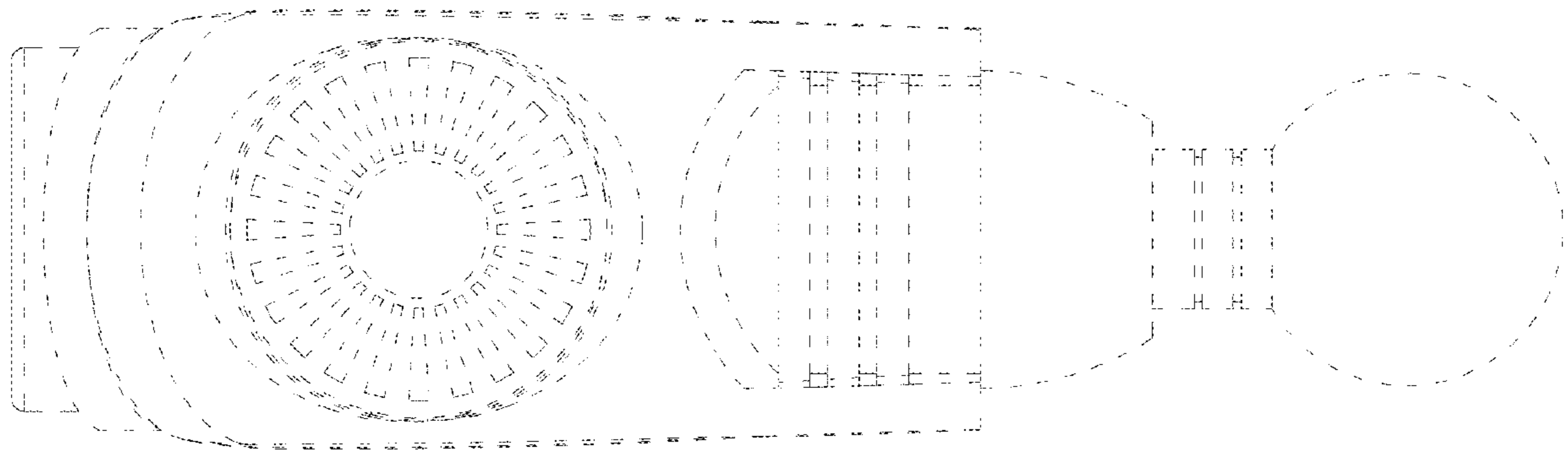


FIG. 6

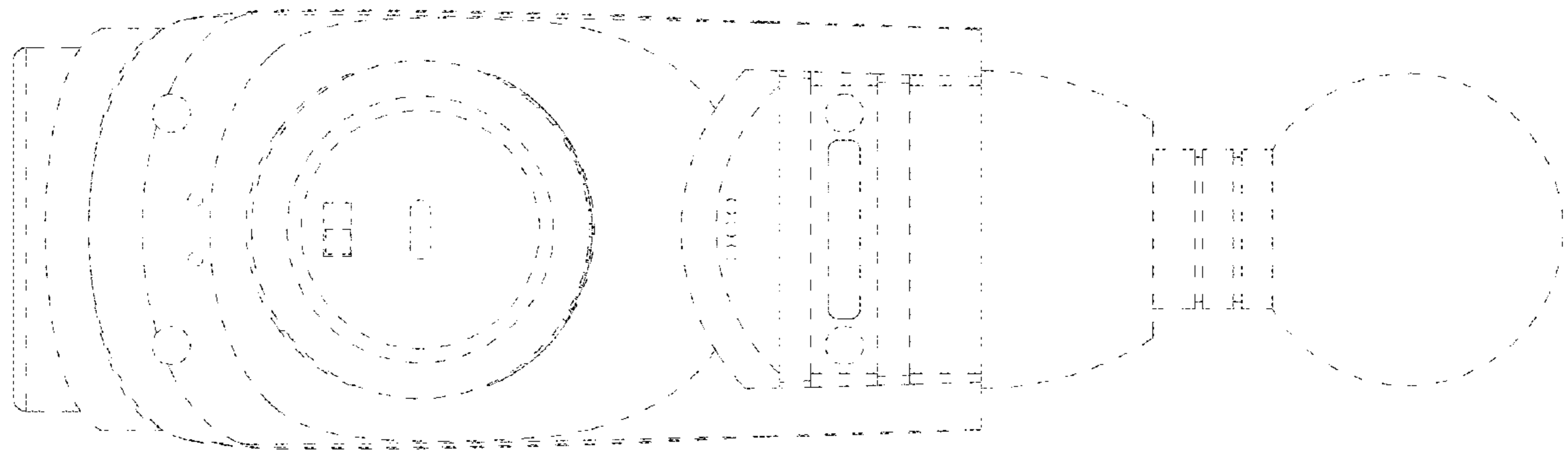


FIG.7



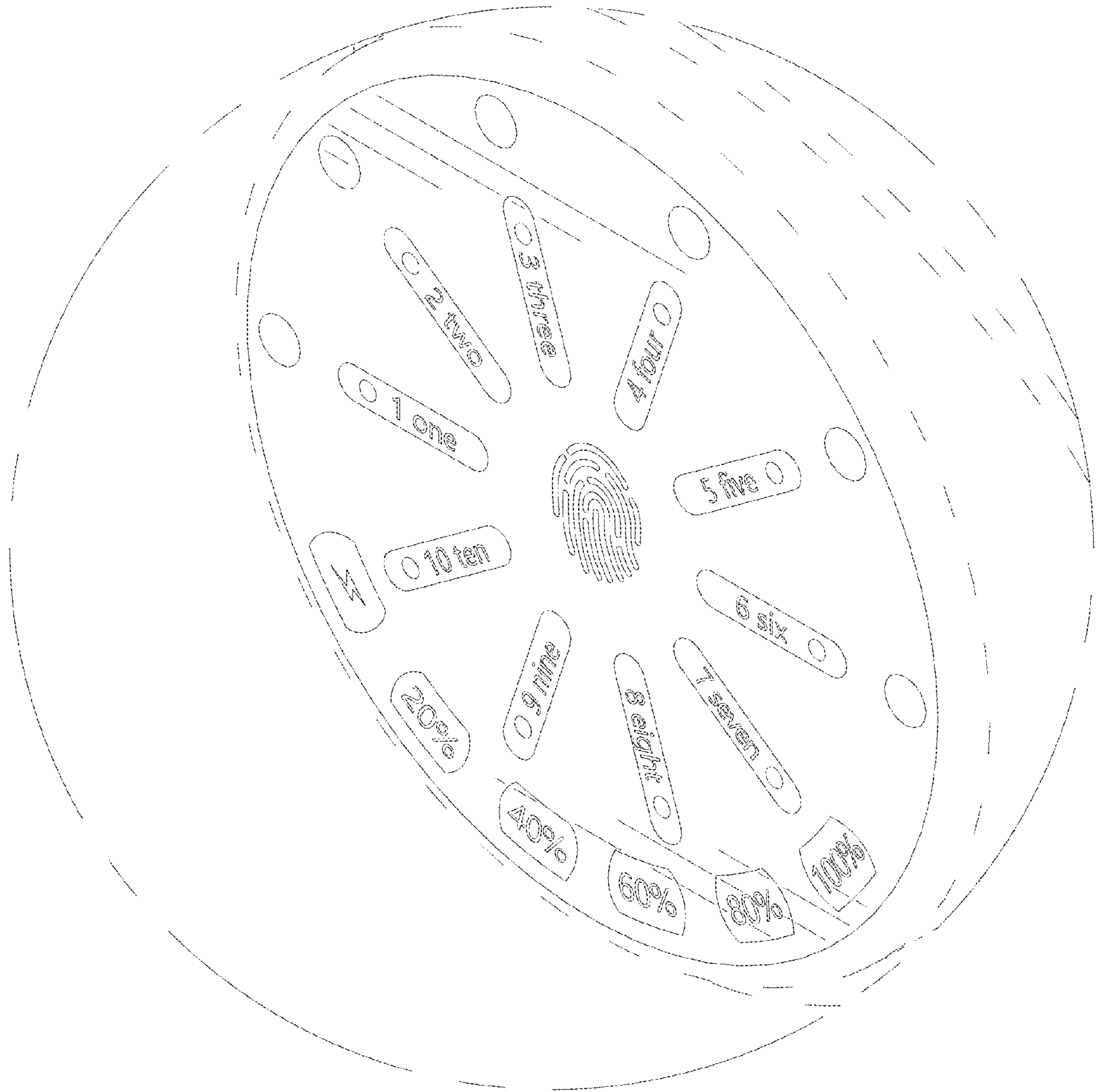


FIG. 8