



US00D989974S

(12) **United States Design Patent** (10) **Patent No.:** **US D989,974 S**
Wang (45) **Date of Patent:** **** Jun. 20, 2023**

(54) **MESSAGE ELEMENT**
(71) Applicant: **Yiqiang Wang**, Suzhou (CN)
(72) Inventor: **Yiqiang Wang**, Suzhou (CN)
(**) Term: **15 Years**

D952,878 S * 5/2022 Lin D24/211
D961,795 S * 8/2022 Zhao D24/215
D975,863 S * 1/2023 Zhang D24/215
D975,864 S * 1/2023 Zhang D24/215
D975,866 S * 1/2023 Marton D24/215
2022/0133585 A1* 5/2022 Marton A61H 1/00
601/108

(21) Appl. No.: **29/791,006**
(22) Filed: **Dec. 24, 2021**
(51) **LOC (14) Cl.** **24-01**
(52) **U.S. Cl.**
USPC **D24/215**
(58) **Field of Classification Search**
USPC D24/200, 209, 211, 212, 213, 214, 215;
D7/393; D8/307, 310, 378; D9/435, 439
CPC A61H 2201/1685; A61H 23/006; A61H
2015/0042; A61H 37/00
See application file for complete search history.

OTHER PUBLICATIONS

Amazon, "Massage Gun Heads", Date First Available: Aug. 28, 2021. https://www.amazon.com/Hypervolt-Go%E2%84%B6Replaceable-Attachment-Different-Percussion/dp/B09D8C1Q7J/ref=cm_cr_ar_p_d_product_top?ie=UTF8 (Year: 2021).*

* cited by examiner

Primary Examiner — Michael A Maharajh
(74) *Attorney, Agent, or Firm* — Rumit R. Kanakia

(57) **CLAIM**

The ornamental design for a massage element, as shown and described.

(56) **References Cited**

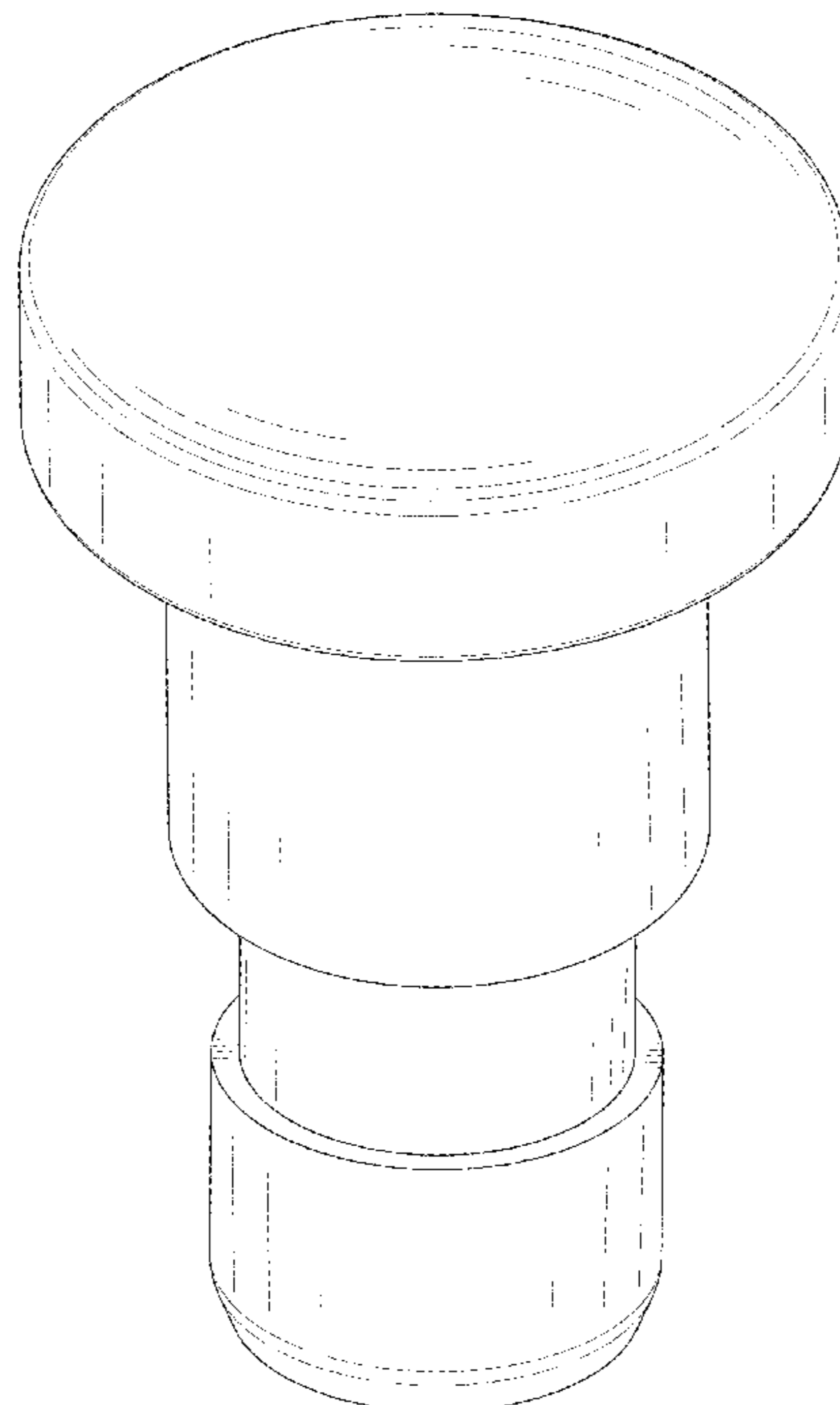
U.S. PATENT DOCUMENTS

D522,846 S * 6/2006 Suero, Jr. D8/378
7,927,259 B1 * 4/2011 Rix A61H 23/02
601/41
D787,297 S * 5/2017 Zimmer D8/310
D849,260 S * 5/2019 Wersland D24/211
D890,942 S * 7/2020 Wersland D24/211
D890,943 S * 7/2020 Wersland D24/211
D896,393 S * 9/2020 Wersland D24/211
D914,477 S * 3/2021 Watson D8/310
D927,716 S * 8/2021 Wersland D24/215
D927,717 S * 8/2021 Wersland D24/215
D931,492 S * 9/2021 Li D24/215
D940,531 S * 1/2022 Anderson D8/310
D942,836 S * 2/2022 Groleski D8/310
D949,418 S * 4/2022 Khubani D24/215

DESCRIPTION

FIG. 1 is a first perspective view of a massage element showing my new design;
FIG. 2 is a second perspective view thereof;
FIG. 3 is a front view thereof;
FIG. 4 is a back view thereof;
FIG. 5 is a left side view thereof;
FIG. 6 is a right side view thereof;
FIG. 7 is a top view thereof; and,
FIG. 8 is a bottom view thereof.
The broken lines shown in the drawings depict portions of the massage element in which the design is embodied that form no part of the claimed design.

1 Claim, 8 Drawing Sheets



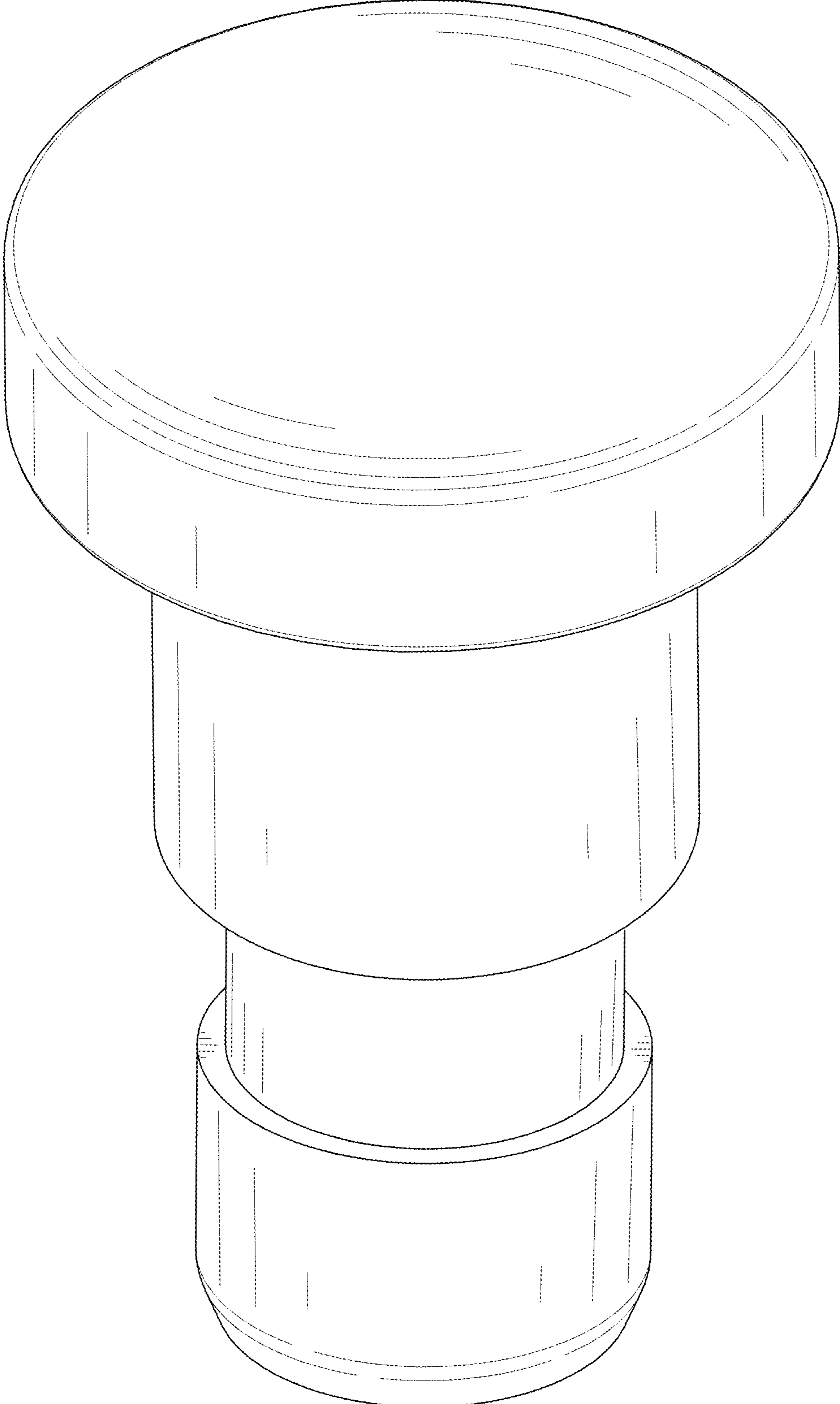


FIG. 1

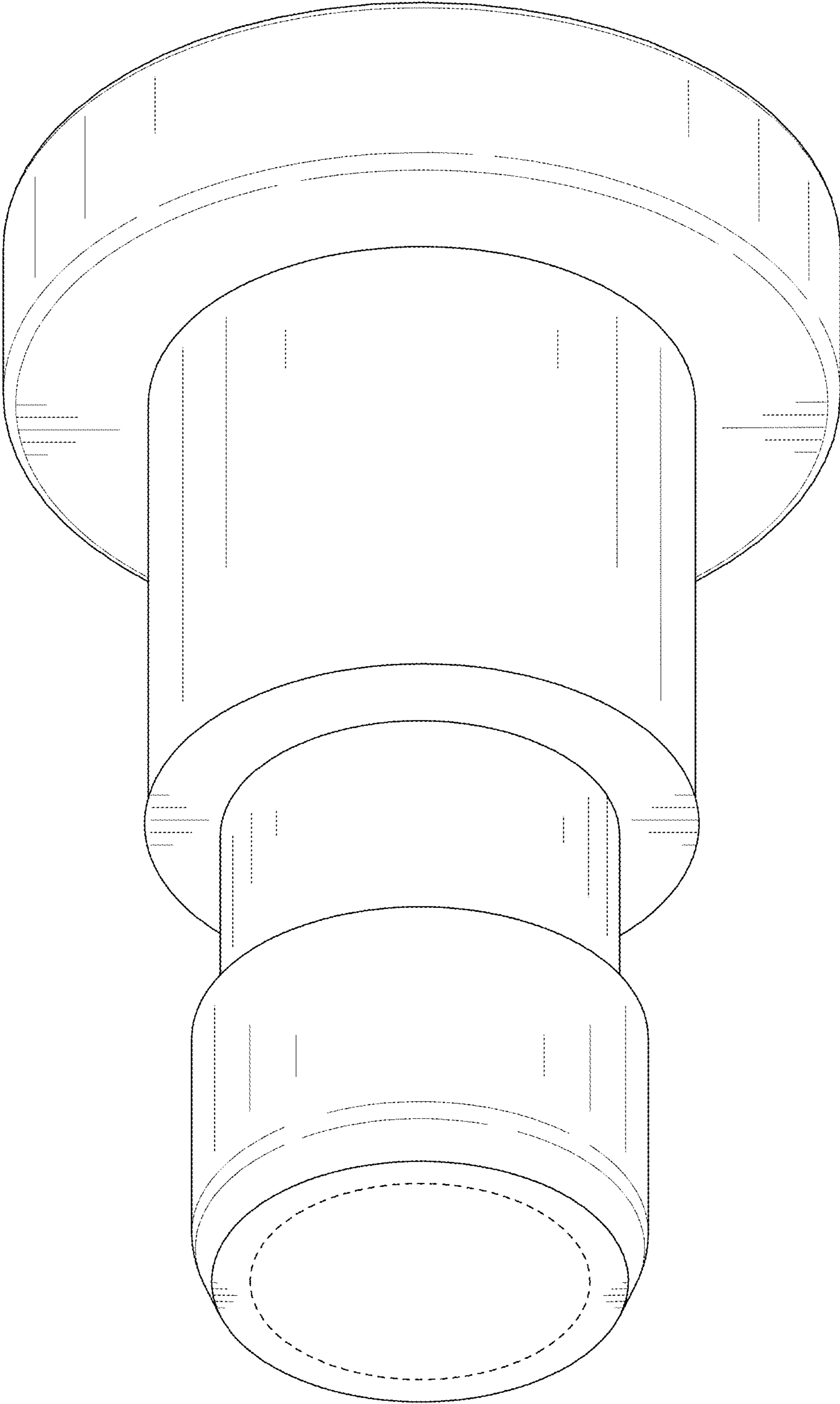


FIG. 2

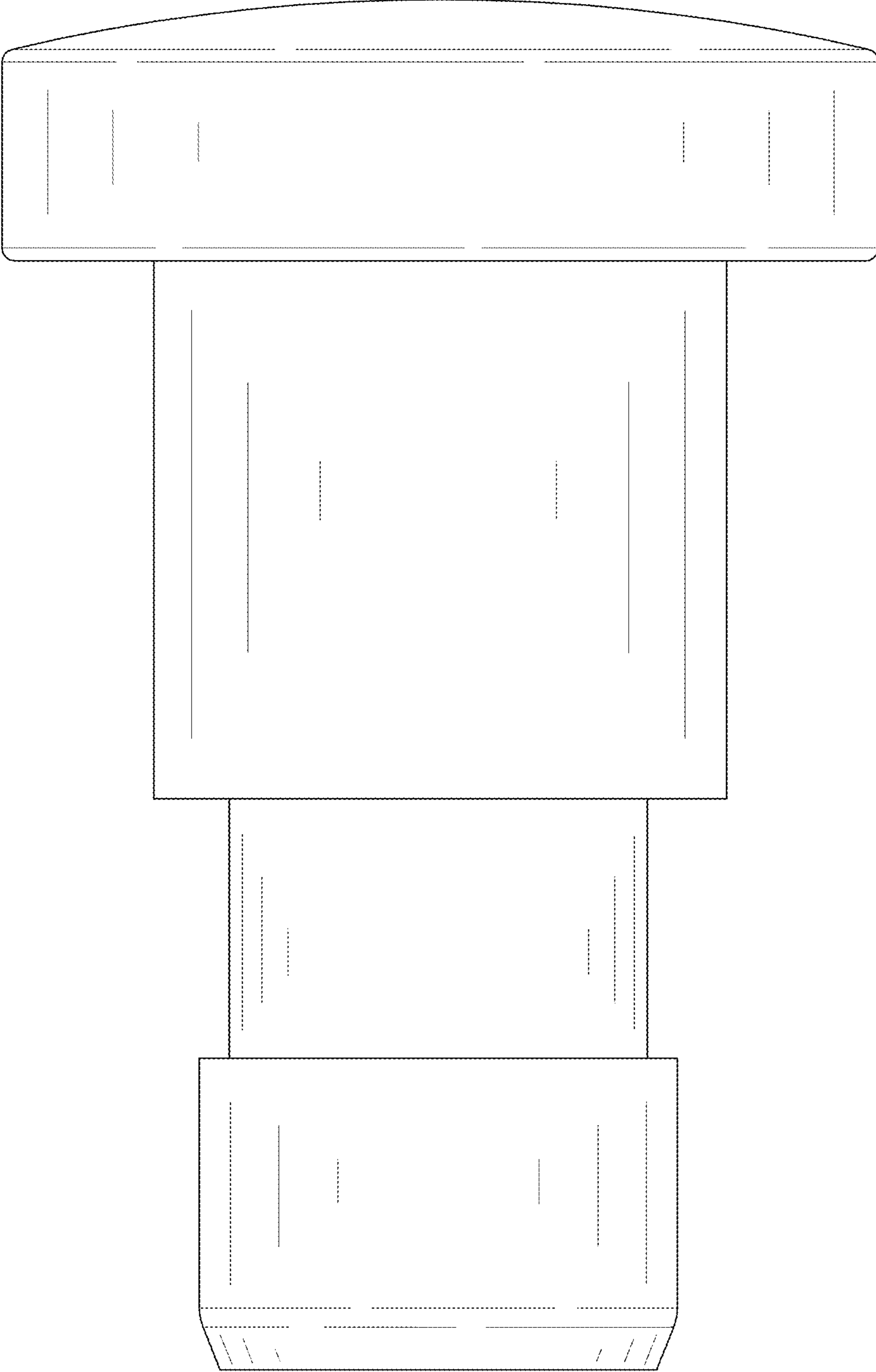


FIG. 3

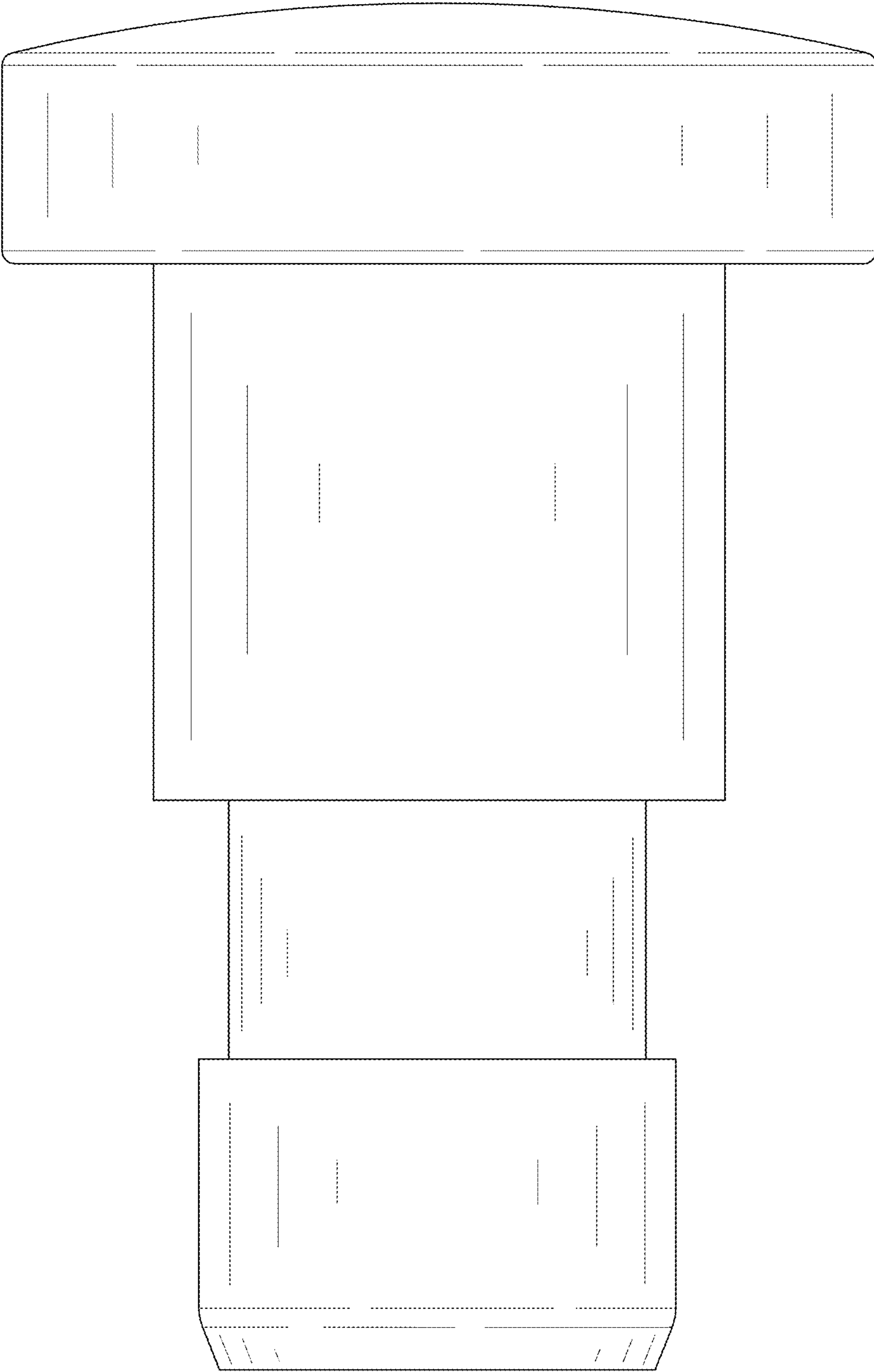


FIG. 4

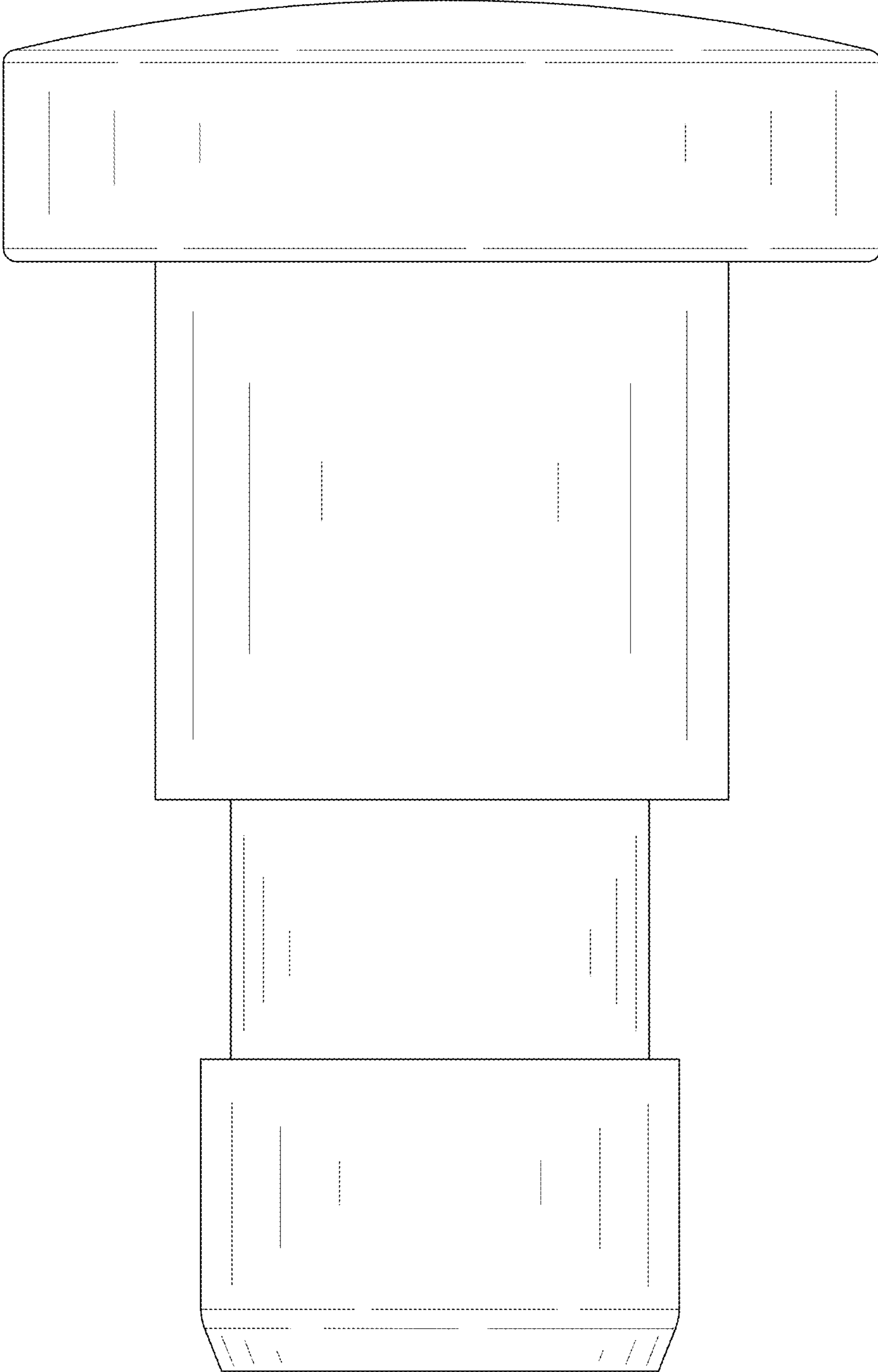


FIG. 5

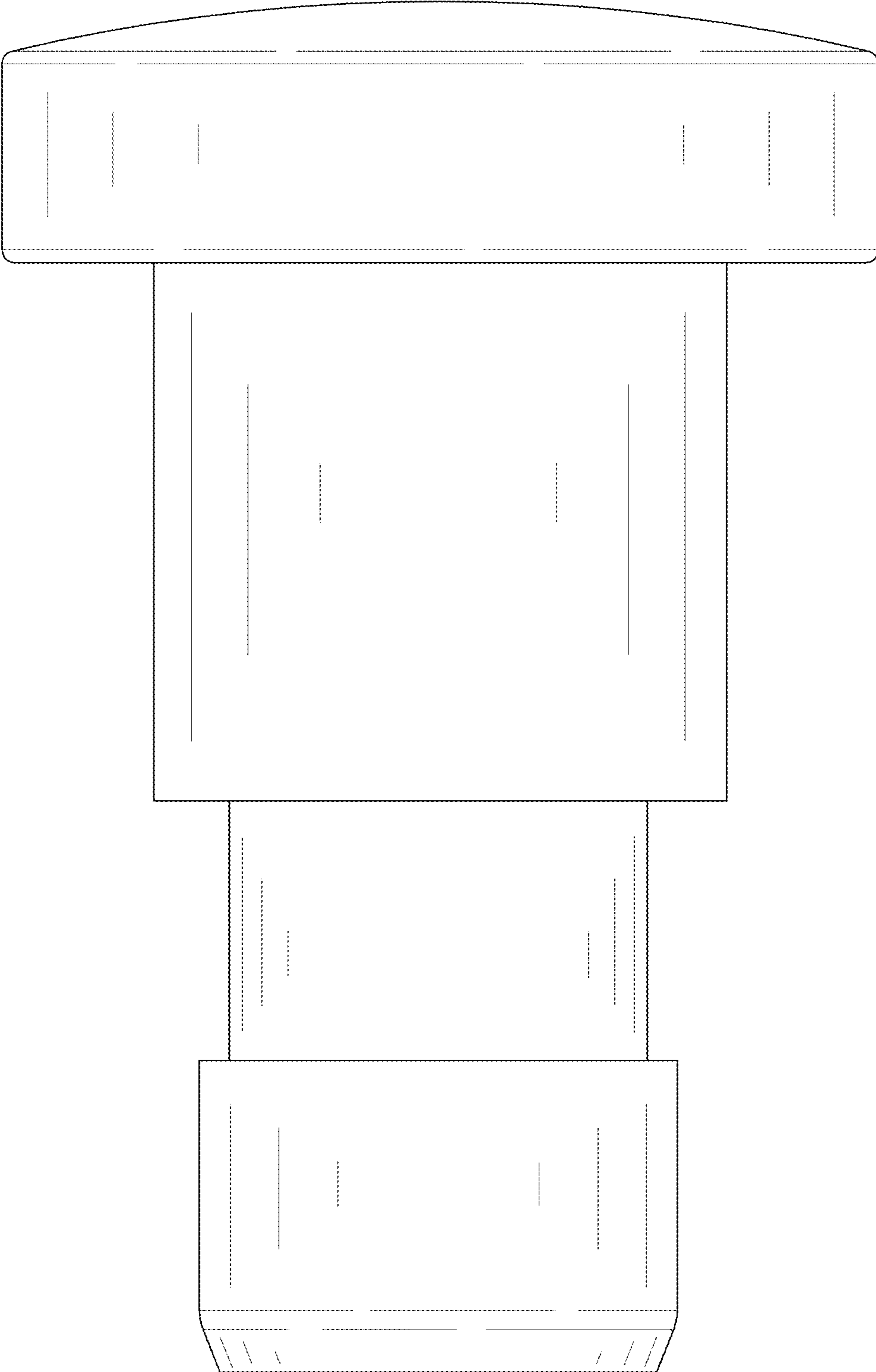


FIG. 6

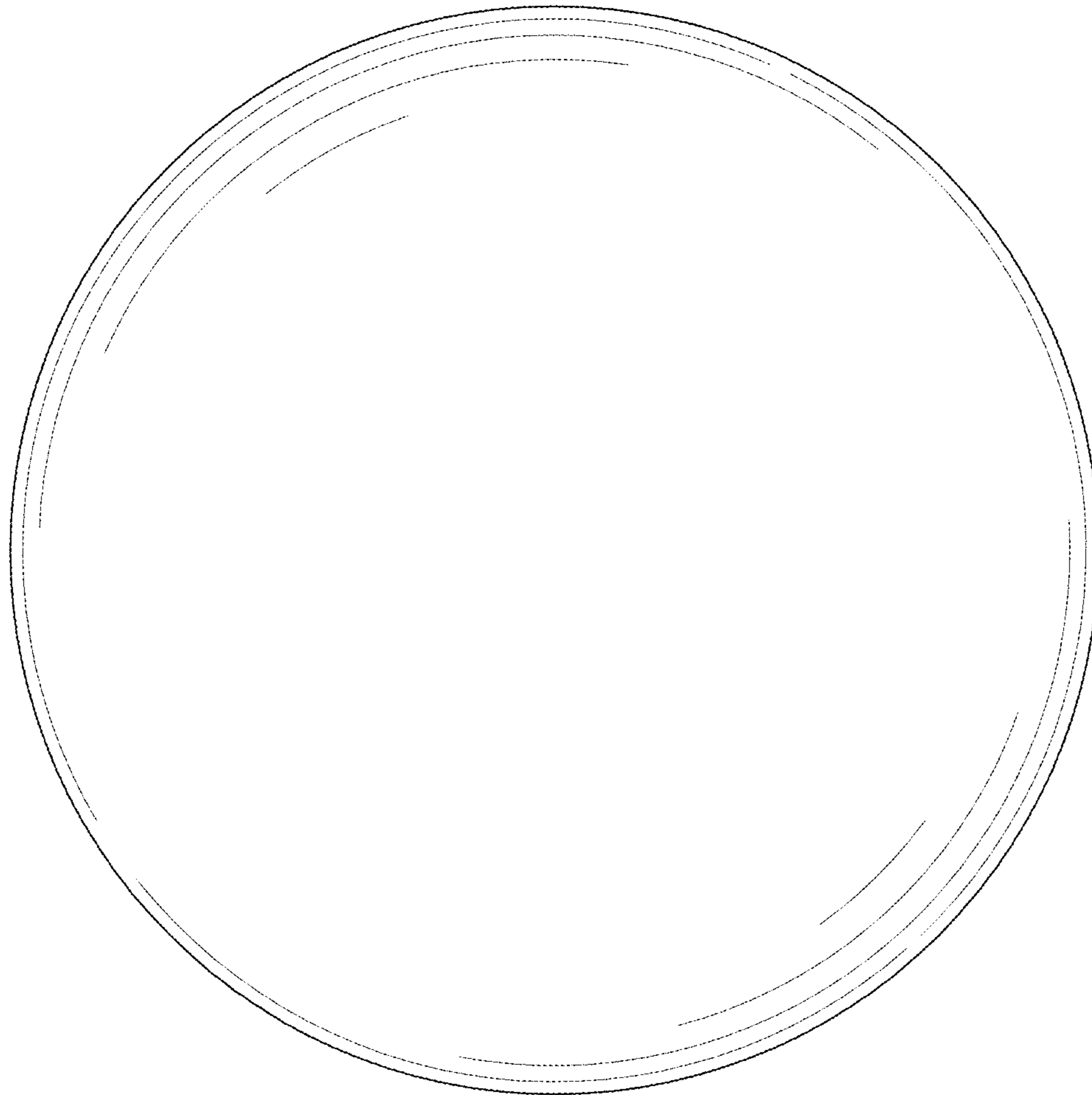


FIG. 7

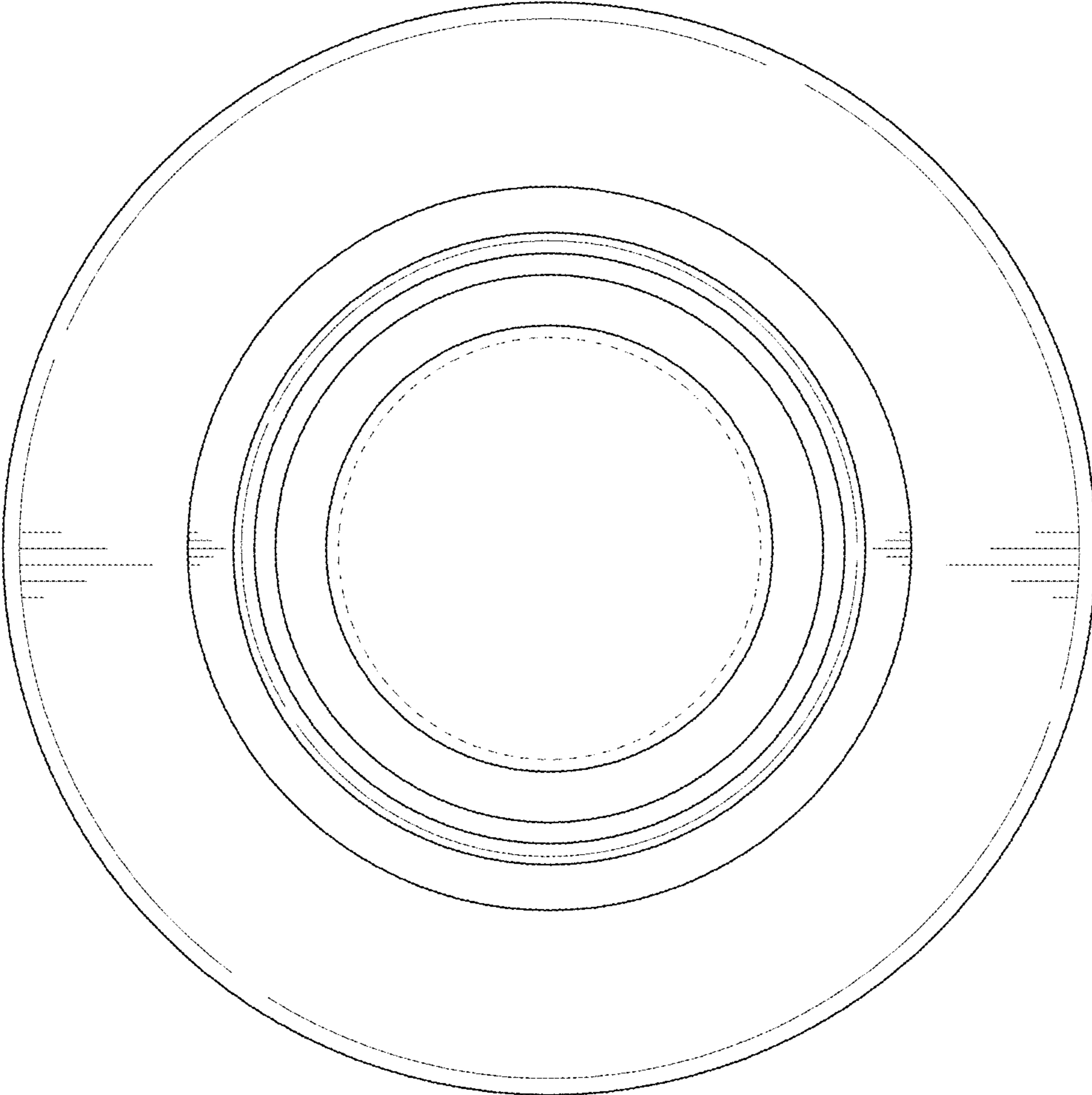


FIG. 8